

# No-Slack® 5092 Series Top Plate

**SLTPL5092** (Left Side Release Shown)

**SRTPL5092** (Right Side Release)

**SLTPLH5092** (Heavy Duty Left Side Release)

**SRTPLH5092** (Heavy Duty Right Side Release)

**Standard  
& Heavy Duty**

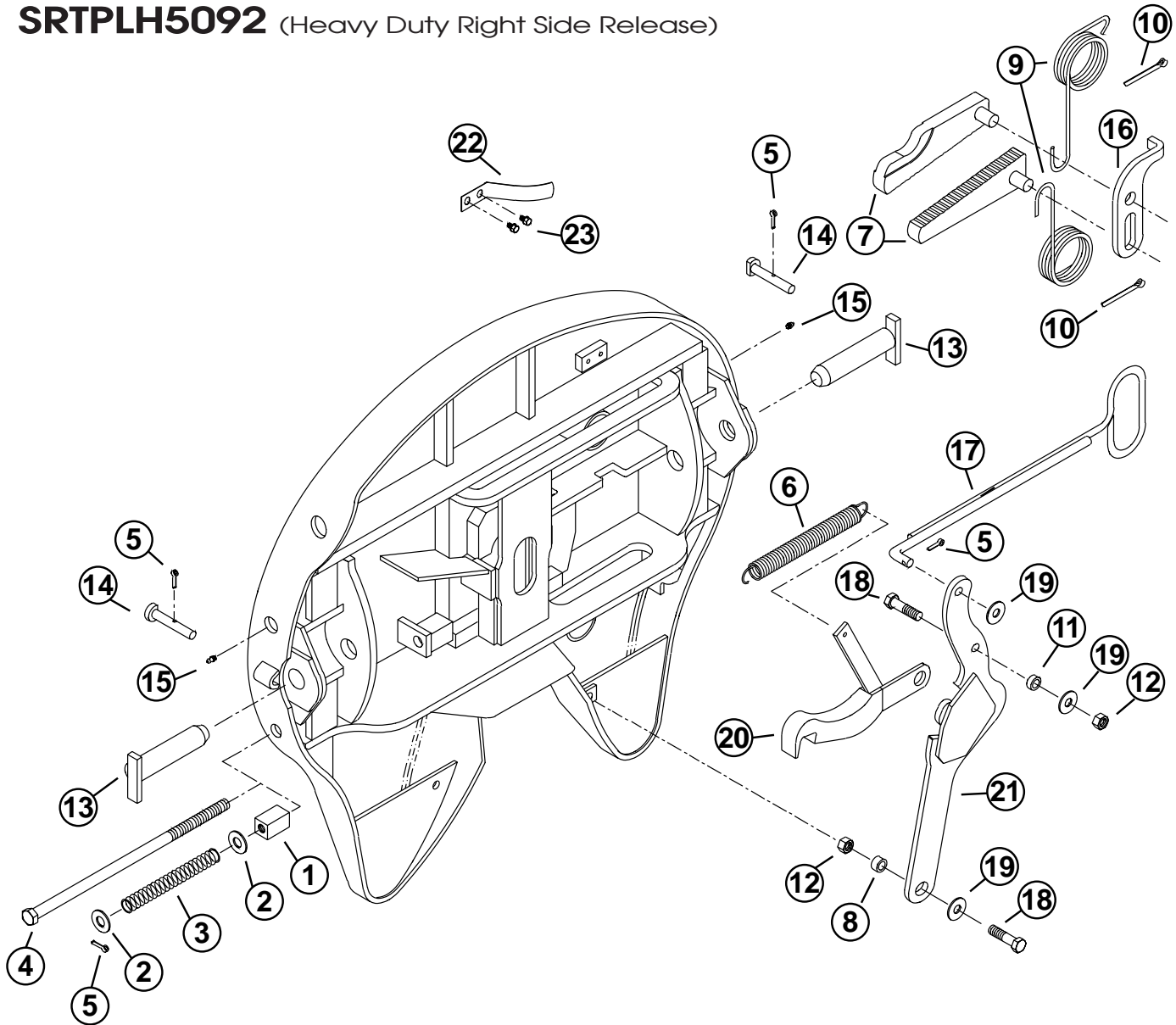


Illustration SLTPL5092

## The Fontaine TechLock® System

Superior Technology Delivers

Superior Locking Performance

# No-Slack® 5092 Series Top Plate

Item No.	Description	Part Number	Quantity
①	Wedge Stop Rod Nut	NUT-319	1
②	Flat Washer, 5/8", Plain	WSH-304-5	2
③	Wedge Stop Rod Spring	SPR-317	1
④	Wedge Stop Rod	ROD-1108	1
⑤	Cotter Pin, 3/16"x1"	PIN-165	4
⑥	Bumper Spring	SPR-128	1
⑦	Step Jaw and Wedge Set	WED-200-*	1
⑧	Bushing, 7/16"	BSH-115	1
⑨	Jaw and Wedge Spring Set	SPR-137-138	1
⑩	Cotter Pin, 1/4" x 3"	PIN-95	2
⑪	Bushing, 5/16"	BSH-629	1
⑫	Hex Lock Nut, 1/2"-13, Grade "C"	NUT-303-9	2
⑬	Bracket Pin	PIN -135	2
⑭	Bracket Retainer Pin	PIN -124	2
⑮	Grease Fitting	MSC-375	2
⑯	Timer	TMR-134-*	1
⑰	Pull Handle	PUL-5092	1
⑱	Hex Head Bolt, 1/2" - 13 x 2", Grade 5	BLT-302-15	2
⑲	Flat Washer, 1/2" I.D. 1-3/8" O.D., Plain	WSH-304-4	7
⑳	Bumper	BPR-5092-*	1
㉑	Operating Handle	OPR-5000-S*	1
㉒	Leaf Spring	SPR-569	1
㉓	Self Tapping Screw, 1/4" - 20 x 3/8"	SCR-425	2

\* Specify left side (driver's side) or right side (curb side) release by adding an "L" or "R" after Part # (Example: KIT-RPR-5092L).

Item No.	Description	Quantity
<b>KIT-BPR-5092*</b>		
5092 Series Bumper Kit		
6	Bumper Spring	1
8	Bushing, 7/16"	1
11	Bushing, 5/16"	1
12	Hex Lock Nut, 1/2" - 13	2
18	Hex Head Bolt, 1/2" - 13	1
19	Flat Washer, 1/2" I.D.	2
20	Bumper (BPR-5092-*)	1
<b>KIT-PIN-135</b>		
5000/5092 Series Pin and Bushing Kit		
5	Cotter Pin, 3/16" x 1"	2
13	Bracket Pin	2
14	Bracket Retainer Pin	2
Not Pictured	Bracket Bushing (pr.)	1
<b>KIT-PUL-5092</b>		
5092 Series Pull Handle Kit		
5	Cotter Pin, 3/16" x 1"	1
17	Pull Handle	1
19	Flat Washer, 1/2" I.D.	1
<b>KIT-RPR-5092*</b>		
5092 Repair Kit		
6	Bumper Spring	1
7	Step Jaw and Wedge Set	1
8	Bushing, 7/16"	1
9	Jaw and Wedge Spring Set	1
10	Cotter Pin, 1/4" x 3"	1
11	Bushing, 5/16"	1
12	Hex Lock Nut, 1/2" - 13	3
<b>KIT-ROD-1108</b>		
Wedge Stop Rod Kit		
1	Wedge Stop Rod Nut	1
2	Flat Washer, 5/8"	2
3	Wedge Stop Rod Spring	1
4	Wedge Stop Rod	1
5	Cotter Pin, 3/16" x 1"	1
<b>KIT-TMR-134*</b>		
5000 Series Timer Kit		
8	Bushing	1
11	Bushing	1
12	Hex Lock Nut, 1/2" - 13	2
16	Timer	1

# No-Slack® 5092 Series Air Actuated – Early Model

**AATPL5092** (Left Side Release Shown)

Standard  
Duty

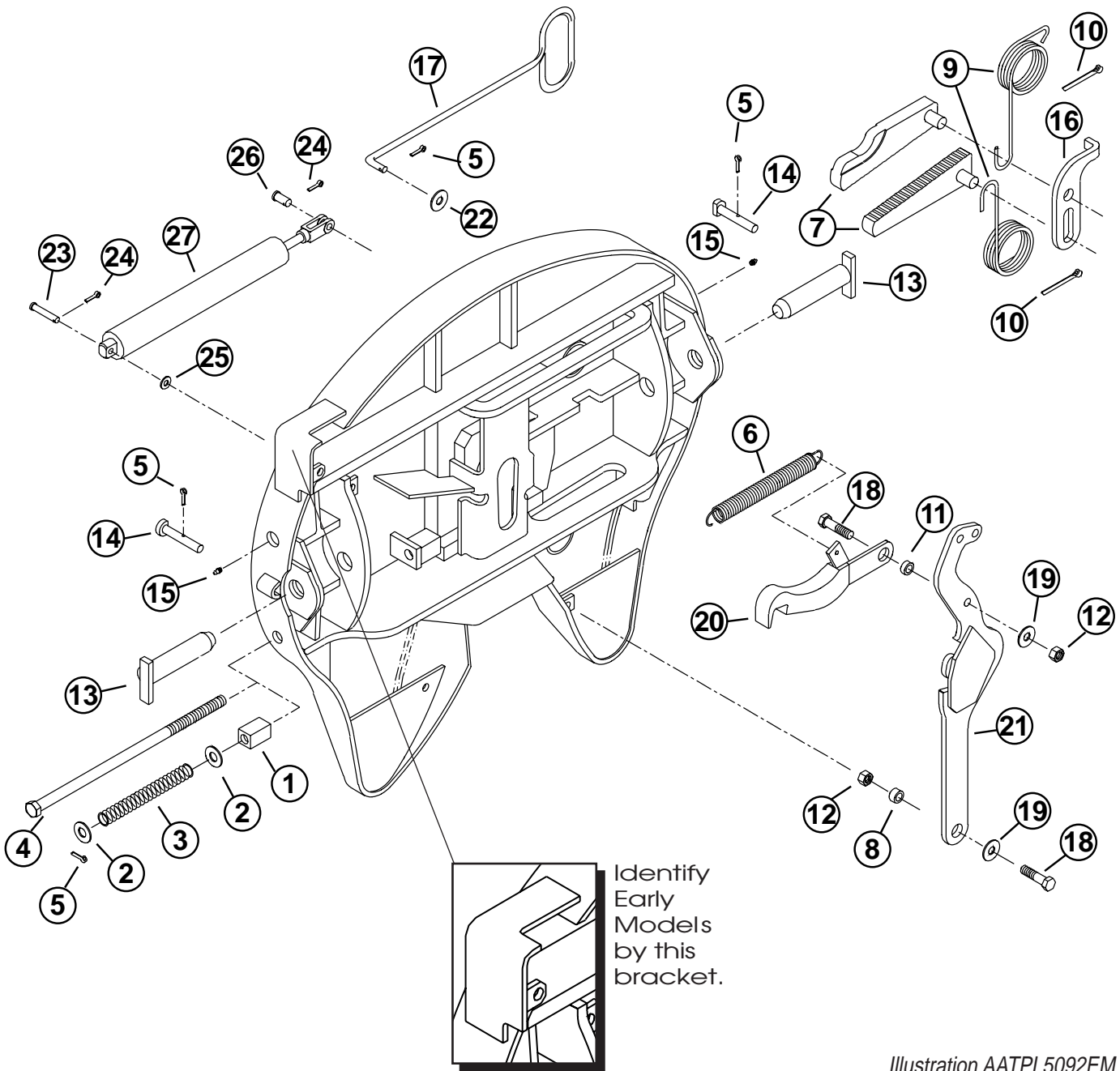


Illustration AATPL5092EM

## The Fontaine TechLock® System

Superior Technology Delivers  
Superior Locking Performance

# No-Slack® 5092 Series Top Plate Air Actuated – Early Model

Item No.	Description	Part Number	Quantity
①	Wedge Stop Rod Nut	NUT-319	1
②	Flat Washer, 5/8", Plain	WSH-304-5	2
③	Wedge Stop Rod Spring	SPR-317	1
④	Wedge Stop Rod	ROD-1108	1
⑤	Cotter Pin, 3/16"x1"	PIN-165	4
⑥	Bumper Spring	SPR-128	1
⑦	Step Jaw and Wedge Set	WED-200-L	1
⑧	Bushing, 7/16"	BSH-115	1
⑨	Jaw and Wedge Spring Set	SPR-137-138	1
⑩	Cotter Pin, 1/4" x 3"	PIN-95	2
⑪	Bushing, 5/16"	BSH-629	1
⑫	Hex Lock Nut, 1/2"-13, Grade "C"	NUT-303-9	2
⑬	Bracket Pin	PIN -135	2
⑭	Bracket Retainer Pin	PIN -124	2
⑮	Grease Fitting	MSC-375	2
⑯	Timer	TMR-134-L	1
⑰	Pull Handle	PUL-5092-AA	1
⑱	Hex Head Bolt, 1/2" - 13 x 2", Grade 5	BLT-302-15	2
⑲	Flat Washer, 1/2" I.D. 1-3/8" O.D., Plain	WSH-304-4	7
⑳	Bumper	BPR-131-L	1
㉑	Operating Handle	OPR-5092-AA	1
㉒	Flat Washer, 1/2" I.D. 1" O.D., Plain	WSH-304-3	1
㉓	Clevis Pin 3/8" x 2"	PIN-307-2	1
㉔	Cotter Pin 5/32" x 1"	PIN-306-3	2
㉕	Flat Washer 3/8" I.D. 7/8" O.D., Plain	WSH-304-1	1
㉖	Clevis Pin 1/2" x 1"	PIN-307-4	1
㉗	Air Cylinder	CYL-5AA-5092	1

Item No.	Description	Quantity
<b>KIT-BPR-131-L</b>		
AA5092 Series Bumper Kit		
6	Bumper Spring	1
8	Bushing, 7/16"	1
11	Bushing, 5/16"	1
12	Hex Lock Nut, 1/2" - 13	2
18	Hex Head Bolt, 1/2" - 13	1
19	Flat Washer, 1/2" I.D.	2
20	Bumper (BPR-131-L)	1
<b>KIT-PIN-135</b>		
5000/5092 Series Pin and Bushing Kit		
5	Cotter Pin, 3/16" x 1"	2
13	Bracket Pin	2
14	Bracket Retainer Pin	2
Not Pictured	Bracket Bushing (pr.)	1
<b>KIT-RPR-5092L</b>		
5092 Repair Kit		
6	Bumper Spring	1
7	Step Jaw and Wedge Set	1
8	Bushing, 7/16"	1
9	Jaw and Wedge Spring Set	1
10	Cotter Pin, 1/4" x 3"	1
11	Bushing, 5/16"	1
12	Hex Lock Nut, 1/2" - 13	3
<b>KIT-ROD-1108</b>		
Wedge Stop Rod Kit		
1	Wedge Stop Rod Nut	1
2	Flat Washer, 5/8"	2
3	Wedge Stop Rod Spring	1
4	Wedge Stop Rod	1
5	Cotter Pin, 3/16" x 1"	1
<b>KIT-TMR-134L</b>		
5000 Series Timer Kit		
8	Bushing	1
11	Bushing	1
12	Hex Lock Nut, 1/2" - 13	2
16	Timer	1

# No-Slack® 5092 Series Top Plate Air Actuated – Later Model

**AATPL5092** (Left Side Release Shown)

**AATPLH5092** (Heavy Duty Left Side Release)

**Standard  
& Heavy Duty**

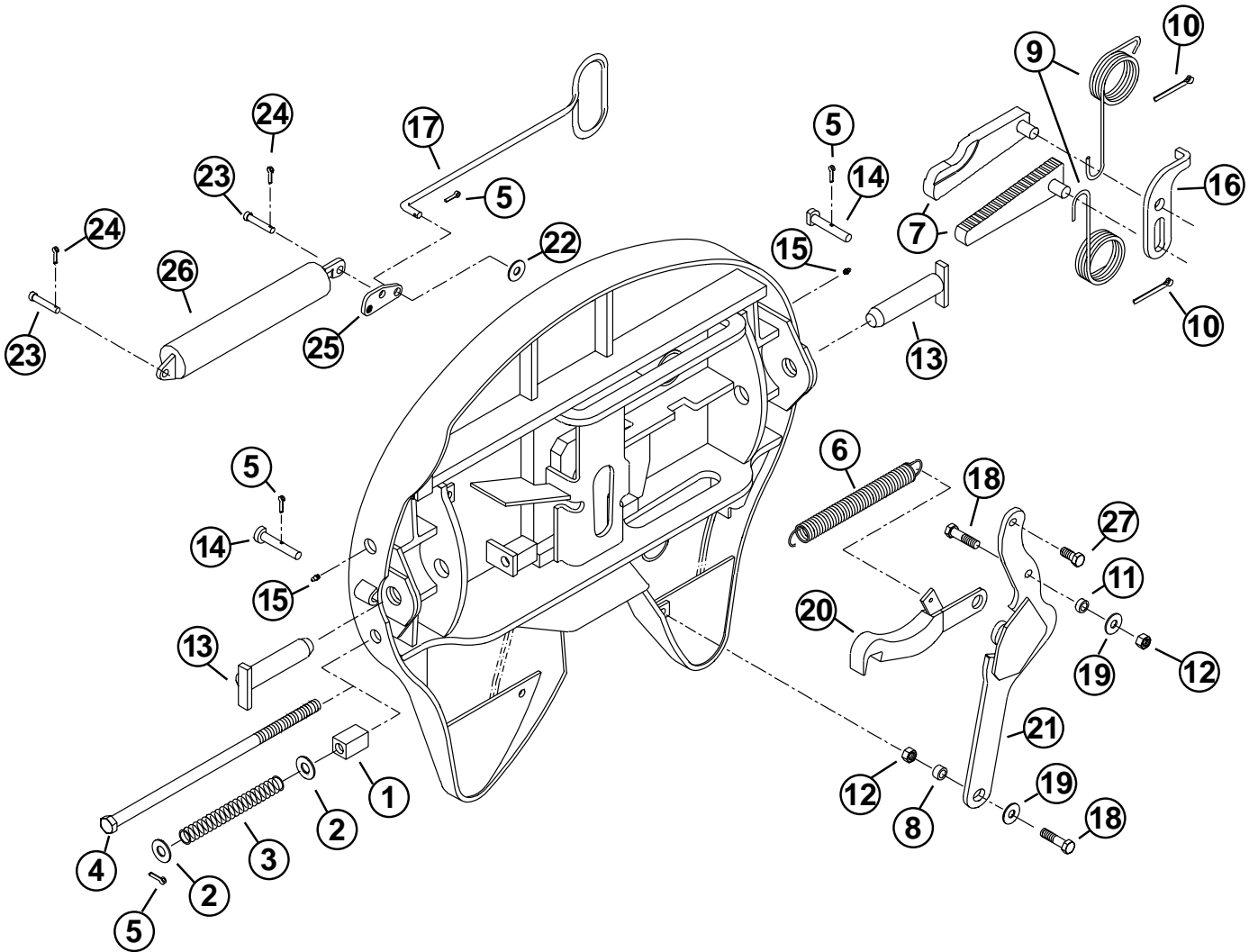


Illustration AATPL5092LM

## The Fontaine TechLock® System

Superior Technology Delivers  
Superior Locking Performance

# No-Slack® 5092 Series Top Plate Air Actuated – Later Model

Item No.	Description	Part Number	Quantity
①	Wedge Stop Rod Nut	NUT-319	1
②	Flat Washer, 5/8", Plain	WSH-304-5	2
③	Wedge Stop Rod Spring	SPR-317	1
④	Wedge Stop Rod	ROD-1108	1
⑤	Cotter Pin, 3/16"x1"	PIN-165	4
⑥	Bumper Spring	SPR-128	1
⑦	Step Jaw and Wedge Set	WED-200-L	1
⑧	Bushing, 7/16"	BSH-115	1
⑨	Jaw and Wedge Spring Set	SPR-137-138	1
⑩	Cotter Pin, 1/4" x 3"	PIN-95	2
⑪	Bushing, 5/16"	BSH-629	1
⑫	Hex Lock Nut, 1/2"-13, Grade "C"	NUT-303-9	2
⑬	Bracket Pin	PIN -135	2
⑭	Bracket Retainer Pin	PIN -124	2
⑮	Grease Fitting	MSC-375	2
⑯	Timer	TMR-134-L	1
⑰	Air Pull Handle	PUL-5092-AA	1
⑱	Hex Head Bolt, 1/2" - 13 x 2", Grade 5	BLT-302-15	2
⑲	Flat Washer, 1/2" I.D. 1-3/8" O.D., Plain	WSH-304-4	7
⑳	Bumper	BPR-131-L	1
㉑	Operating Handle	OPR-5000-SL	1
㉒	Flat Washer, 1/2" I.D. 1" O.D., Plain	WSH-304-3	1
㉓	Clevis Pin 3/8" x 2"	PIN-307-4	2
㉔	Cotter Pin 5/32" x 1"	PIN-306-3	2
㉕	Handle Adapter	AA-204	1
㉖	Air Cylinder	CYL-5AA-5092	1
㉗	Hex Head Bolt, 1/2" - 13 x 3/4", Grade 5	BLT-302-64	1

Item No.	Description	Quantity
<b>KIT-BPR-131-L</b>		
AA5092 Series Bumper Kit		
6	Bumper Spring	1
8	Bushing, 7/16"	1
11	Bushing, 5/16"	1
12	Hex Lock Nut, 1/2" - 13	2
18	Hex Head Bolt, 1/2" - 13	1
19	Flat Washer, 1/2" I.D.	2
20	Bumper (BPR-131-L)	1
<b>KIT-PIN-135</b>		
5000/5092 Series Pin and Bushing Kit		
5	Cotter Pin, 3/16" x 1"	2
13	Bracket Pin	2
14	Bracket Retainer Pin	2
Not Pictured	Bracket Bushing (pr.)	1
<b>KIT-RPR-5092L</b>		
5092 Repair Kit		
6	Bumper Spring	1
7	Step Jaw and Wedge Set	1
8	Bushing, 7/16"	1
9	Jaw and Wedge Spring Set	1
10	Cotter Pin, 1/4" x 3"	1
11	Bushing, 5/16"	1
12	Hex Lock Nut, 1/2" - 13	3
<b>KIT-ROD-1108</b>		
Wedge Stop Rod Kit		
1	Wedge Stop Rod Nut	1
2	Flat Washer, 5/8"	2
3	Wedge Stop Rod Spring	1
4	Wedge Stop Rod	1
5	Cotter Pin, 3/16" x 1"	1
<b>KIT-TMR-134L</b>		
5000 Series Timer Kit		
8	Bushing	1
11	Bushing	1
12	Hex Lock Nut, 1/2" - 13	2
16	Timer	1
<b>KIT-AA-5092L</b>		
5092 Series Air Actuated Conversion Kit		
17	Pull Handle	1
22	Flat Washer 1/2" I.D.	1
23	Clevis Pin 1/2"	2
24	Cotter Pin 5/32"	2
25	Handle Adapter	1
27	Hex Head Bolt, 1/2" - 13	1
26	Air Cylinder	1