



Roadranger®

More time on the road®

Illustrated Parts List

AT-1202
July 2011

Contents

How To Use The Illustrated Parts List	3
AIR SHIFT ASSY	4
CASE (AUX)	5
CASE (FRONT)	7
COUNTERSHAFT ASSY	9
INPUT SHAFT & DRIVE GEAR	10
KITS & ASSEMBLIES	11
MAINSHAFT ASSY	12
MECHANICAL SHIFT ASSY	13
MISCELLANEOUS	14

How To Use The Illustrated Parts List

The information contained in this document is subject to frequent updates. Therefore, for the latest information available, please visit the interactive Electronic Parts Catalog at www.roadranger.com/epc.

Model Designation or Nomenclature

- For information regarding Model Designation and Nomenclature, visit www.roadranger.com.

Kits and Assemblies (K/A's)

- Kits and Assemblies contain groups of individual or assembled parts developed for optimal replacement or repair of a service problem.
- Kits and Assemblies are shown with applicable parts groupings in the parts listings.

Identifying Kits and Assemblies

A- Part numbers beginning with the letter 'A' are pre-assembled Production Assemblies

K- Part numbers beginning with the letter 'K' are kits that are not assembled

S- Part numbers beginning with the letter 'S' are pre-assembled Service Assemblies

- Note: Some Production Assemblies do not begin with a letter prefix (Midrange only).

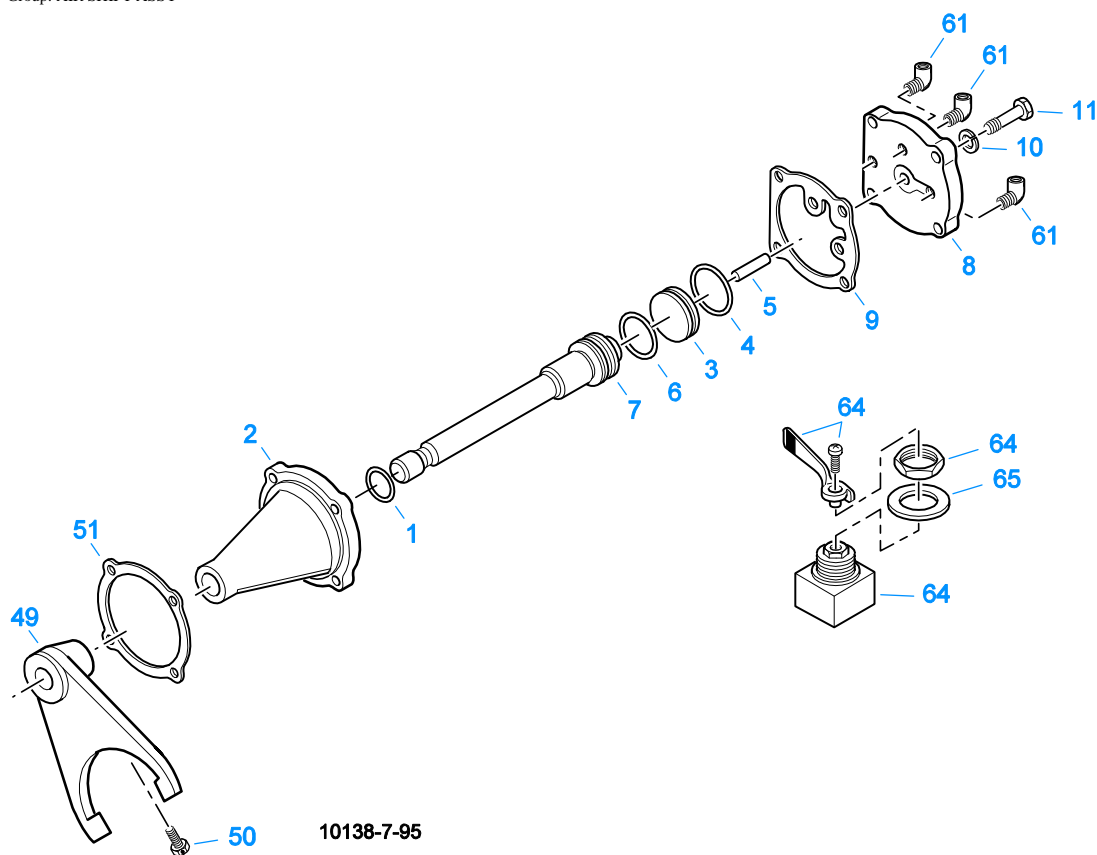
Illustrations

- Illustrations show parts in assembly groups.
- Item numbers on illustrations correspond with parts listings on pages adjacent to the illustration.
- Notes are included on illustrations where additional information is needed.

Parts Listing

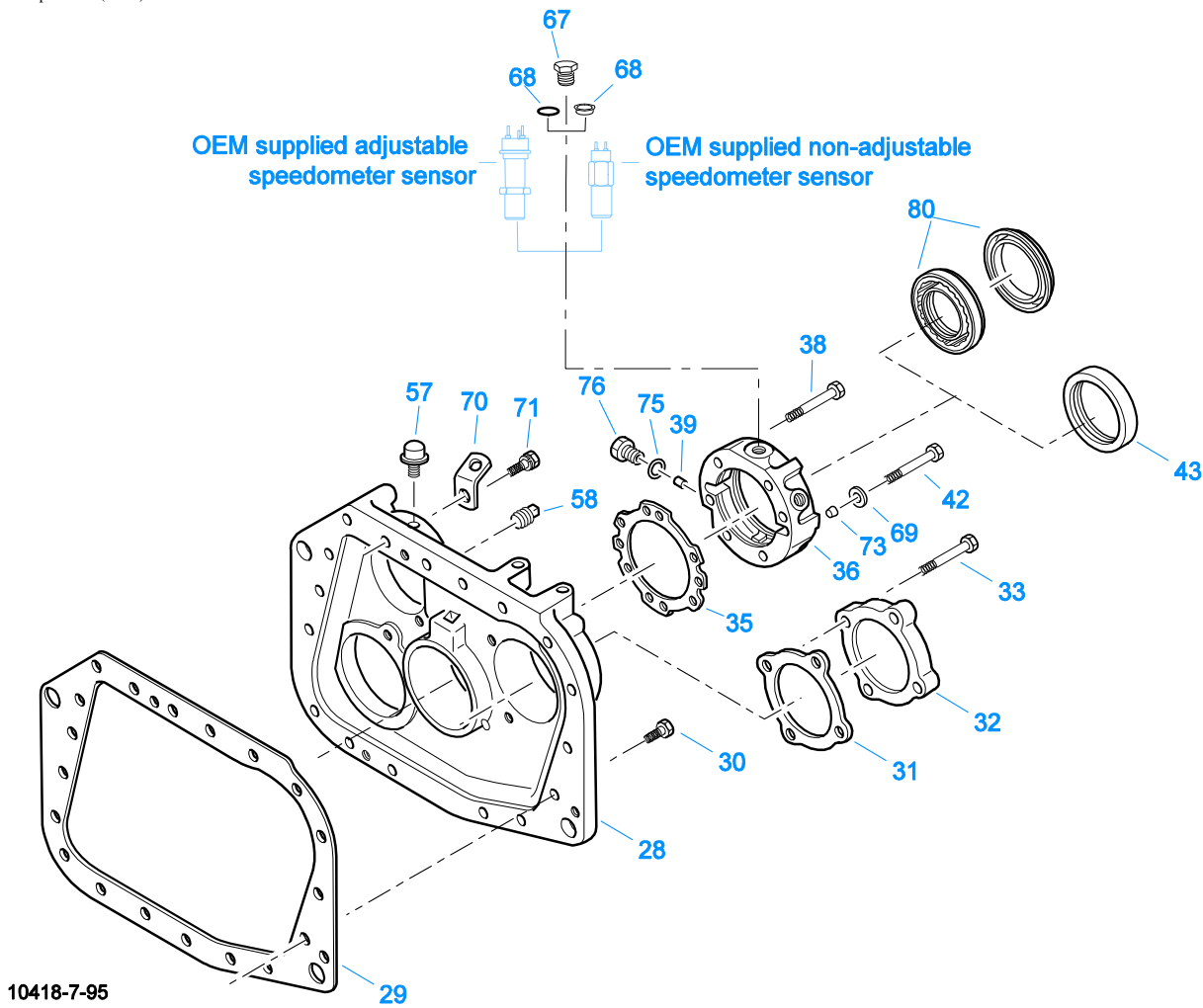
Parts listings are defined by parts groupings and are broken down by service assemblies. Parts listings identify a part for servicing with the following categories

- **Item Number** - corresponding with numbers on illustrations for part identification.
- **Current Part** - identifies part as it is available for service.
- **Description** - specifies part name or description.
- **Replaced Part** - quantity quantity required for assembly.
- **Quantity** - defines unique characteristics or requirements.
- **Notes** - indicates Kits or Assemblies that contain a particular part.
- **Kits/Assy's Where Used**



AIR SHIFT ASSY

Item	Current Part	Description	Replaced Part	Qty.	Notes	Kits/Assys Where Needed
1	14644	-O- RING		1		K-1552
2	17413	SHIFT CYLINDER		1		
3	S-1265	SHIFT PISTON ASSY	17417	1		
4	17418	-O- RING		1		K-1552
5	62518	ROLL PIN		1		S-1265
6	14621	-O- RING		1		K-1552
7	18542	YOKE BAR		1		
8	17414	CYLINDER COVER		1		
9	17415	GASKET		1		
10	X-3-600	LOCKWASHER		4	3/8"	
11	X-8-679	CAPSCREW		4	3/8"-16X1-3/4"	
49	17411	SHIFT YOKE		1		
50	3220	LOCKScrew		1		
51	14347	GASKET		1		K-1479
61	12845	ELBOW		3	1/8"	
64	18634	AIR VALVE		1	USE W/O NEUTRAL SWITCH	
64	4305767	AIR VALVE	18554	1	USE W/NEUTRAL SWITCH	
65	18555	VALVE PLATE		1	USE W/NEUTRAL SWITCH	
65	18633	NO LONGER AVAILABLE		1	USE W/O NEUTRAL SWITCH	

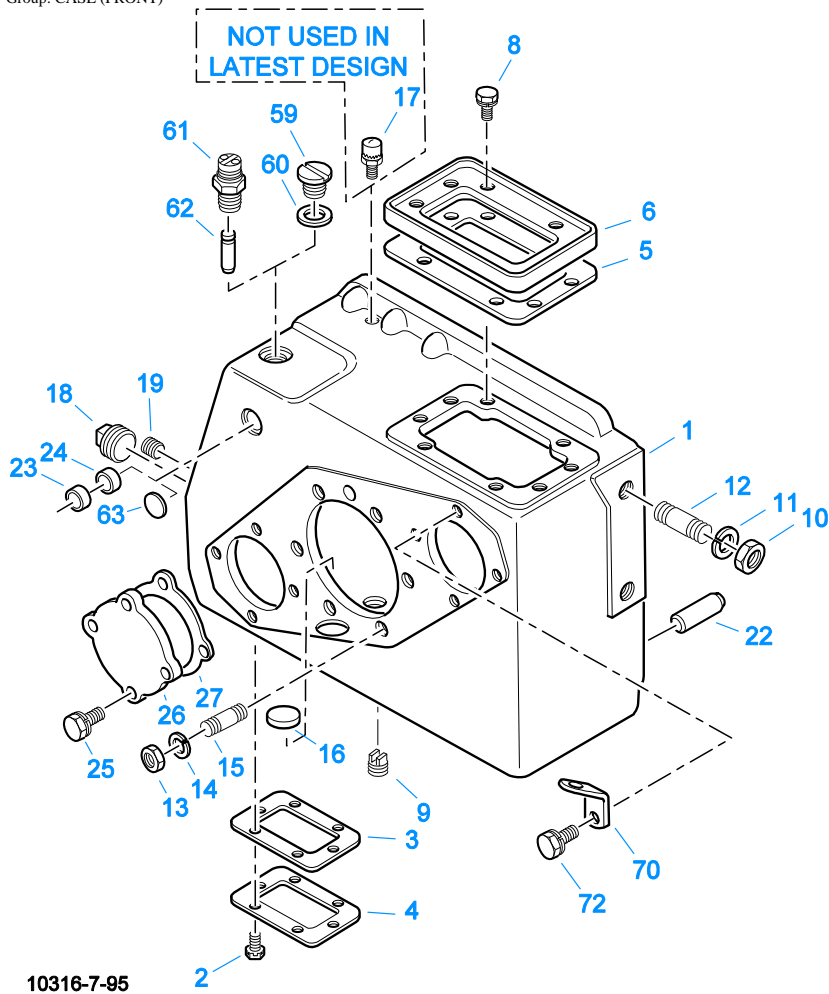


CASE (AUX)

Item	Current Part	Description	Replaced Part	Qty.	Notes	Kits/Assys Where Needed
28	S-1347	REAR HOUSING ASSY	17548 ,18736 ,18757 ,18784 ,19100	1		
29	14335	GASKET		1		K-1479
30	X-8L-602	CAPSCREW		16	3/8"-16X1-1/2"	
30	X-8L-605	CAPSCREW		1	3/8"-16X3"	
30	X-8L-614	CAPSCREW		2	3/8"-16X2"	
31	16784	GASKET		2		K-1479
32	16770	REAR BEARING COVER		2		
33	X-8L-602	CAPSCREW		8	3/8"-16X1-1/2"	
35	15532	GASKET		1		K-1479,K-2256,K-2262,S-2119,S-2151
36	S-2119	REAR BRG COVER ASSY	20048 ,22045 ,4302009 ,4302031 ,S - 1558 S - 1560	1	EXTENDED	
36	S-2151	REAR BRG COVER ASSY	S - 1429	1		
38	X-8L-605	CAPSCREW		5	3/8"-16X3", USE W/S-2151 COVER	
38	X-8L-611	CAPSCREW		5	3/8"-16X3-1/4", USE W/S-2119 COVER	
39	7992	BUSHING		1		S-2119,S-2151
42	X-8-682	CAPSCREW		1	3/8"-16X3"	
43	20920	OIL SEAL	15087	1	3-1/2" I.D.	
43	K-2262	OIL SEAL W/SLINGER	19109 ,20807 ,20808	1	"FOR MECHANICAL COVER"	
57	4304602	BREATHER	23605	1	1/4" NPT	
58	X-12-404	PIPE PLUG		1	1/4" NPT	
67	20224	PLUG-MAGNETIC		2		S-2119,S-2151
68	13679	-O- RING		1	USE W/OEM SUPPLIED ADJUSTABLE SPEEDOMETER	

Item	Current Part	Description	Replaced Part	Qty.	Notes	Kits/Assys Where Needed
68	20225	-O- RING		2	SENSOR NOT TO BE USED WITH 4301954 SEAL USE W/20224 PLUG OR OEM SUPPLIED NON-ADJUSTABLE SPEEDOMETER SENSOR NOT TO BE USED WITH 4301954 SEAL O-RING NOT REQUIRED	S-2119,S-2151
68	4301954	SENSOR SEAL		2		S-2119,S-2151
69	17106	GASKET		1		K-2256,K-2262,S-2119,S-2151
70	20815	LIFTING EYE	17105	1		
71	X-8L-609	CAPSCREW		1	3/8"-16X1-3/4"	
73	19709	COLLAR		1		K-2256,K-2262,S-2119,S-2151
75	14142	-O- RING		1		S-2119,S-2151
76	20226	PLUG-MECHANICAL	2237	1		S-2119,S-2151
80	K-2262	OIL SEAL W/SLINGER	19109 ,20807 ,20808	1	"FOR MECHANICAL COVER"	S-2119,S-2151
82	K-3651	OIL SEAL TOOL KIT		1		

Group: CASE (FRONT)



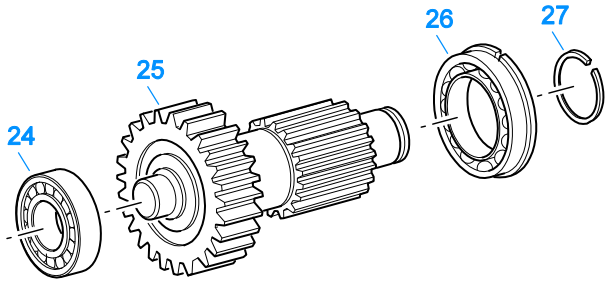
10316-7-95

CASE (FRONT)

Item	Current Part	Description	Replaced Part	Qty.	Notes	Kits/Assys Where Needed
1	S-1264	CASE ASSY	17400 ,18545	1		
2	X-8-686	CAPSCREW		6	3/8"-16X3/4"	
3	4305309	GASKET	1684	1		K-1479
4	14575	PTO COVER	4302254	1		
5	4305310	GASKET	4302810	1		K-1479
6	4302809	PTO COVER	16596	1		
8	X-8-725	CAPSCREW	X 8 724	8	7/16"-14X7/8"	
9	X-12-1207	PIPE PLUG	X12 1202 ,X12 1206	1	3/4" MAGNETIC	
10	X-1-1012	HEX NUT	X-1-1005	4	.625-18	
11	X-10-1005	WASHER	X 3 1000 ,X10 1000 ,X10 1004	4	1.23 X 6.60	
12	14554	STUD	1632 ,6579	4	5/8" X 2-3/16"	
13	X-1-800	NUT		6	1/2"-20	
14	X-3-801	LOCKWASHER		6	1/2"	
15	23592	STUD	12022	6		
16	14373	MAGNET		1		S-1264
17	7935	BREATHER		1		
17	X-12-208	PIPE PLUG		1	1/8" NPT	
18	X-12-2007	PIPE PLUG	X12 2006	1		
19	X-12-802	PIPE PLUG	X12 800	1	1/2"	
22	18128	PIN		2		
23	17423	SEAL		1	USE W/MANUAL SHIFT	
24	17422	OIL SEAL		1	USE W/MANUAL SHIFT	
25	X-8L-600	CAPSCREW		8	3/8"-16X1"	
26	4881	COVER		2		
27	4886	GASKET		2		K-1479
59	4303655	PLUG	17178	1		S-1264
60	17179	GASKET		1	USE W/MANUAL SHIFT	S-1264

Item	Current Part	Description	Replaced Part	Qty.	Notes	Kits/Assys Where Needed
61	22941	NEUTRAL LIGHT SWITCH	12639	1	SWITCH NORMALLY OPEN USE W/AIR SHIFT	
62	15899	PIN		1	USE W/AIR SHIFT	
63	13359	EXPANSION PLUG		1	USE W/AIR SHIFT	
70	20815	LIFTING EYE	17105	1		
72	X-8L-604	CAPSCREW		1	3/8"-16X1-1/4"	

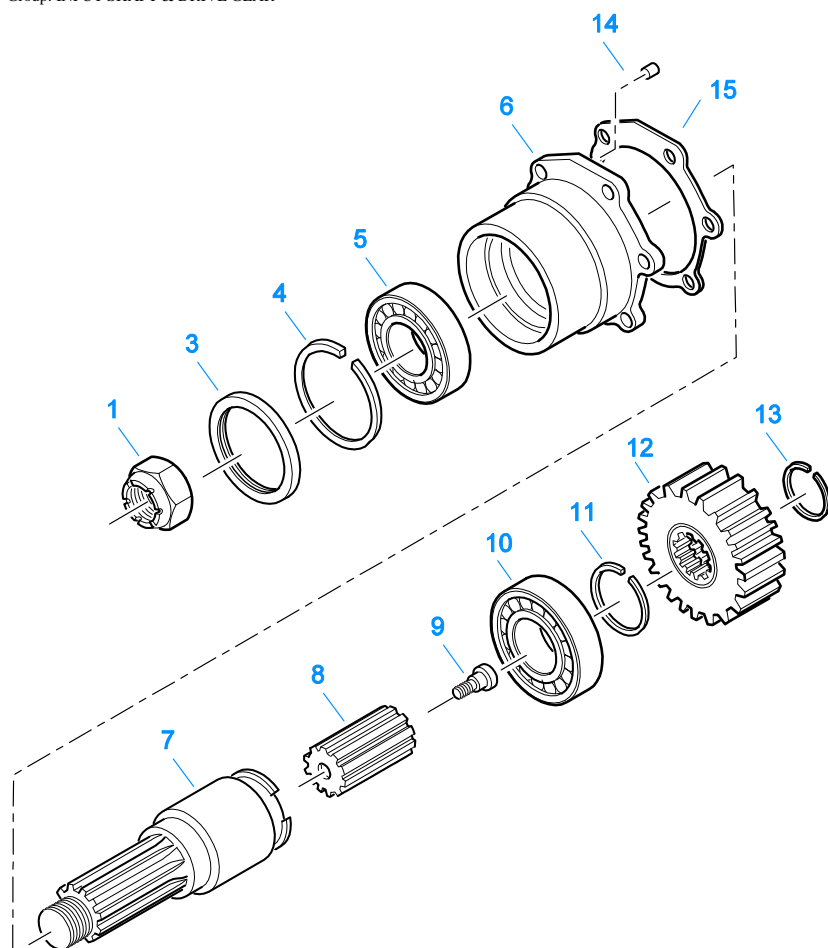
Group: COUNTERSHAFT ASSY



10362-7-95

COUNTERSHAFT ASSY

Item	Current Part	Description	Replaced Part	Qty.	Notes	Kits/Assys Where Needed
24	6488	BEARING		2		
25	A-4286	WELDED COUNTERSHAFT ASSY		2	C/S 17408 - D/G 17409	
26	81012	BEARING		2		
27	11364	SNAP RING		2		



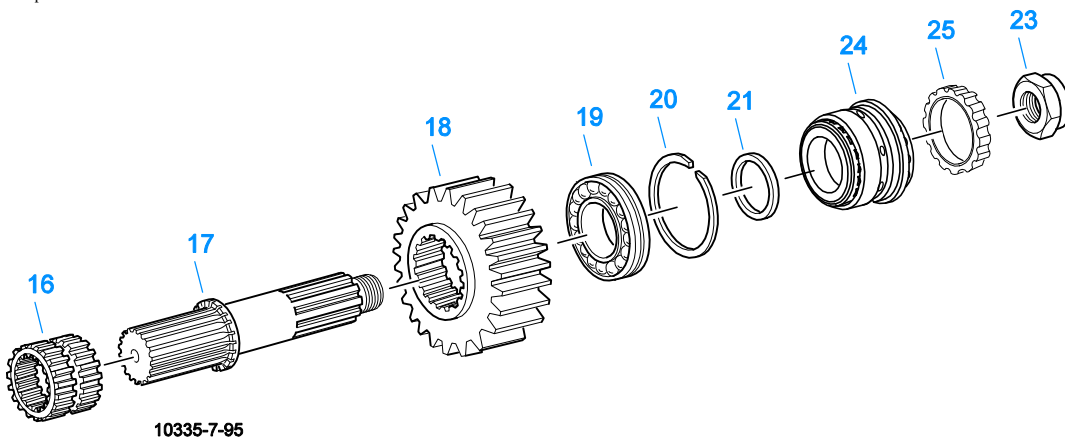
10376-7-95

INPUT SHAFT & DRIVE GEAR

Item	Current Part	Description	Replaced Part	Qty.	Notes	Kits/Assys Where Needed
1	22254	NUT	11956	1		
3	17425	OIL SEAL		1	3-1/2" I.D.	
3	18408	OIL SEAL		1	3-3/4" I.D.	
4	15241	SNAP RING		1		
5	4303920	BEARING	81042	1		
6	S-1005	HOUSING ASSY	17401	1		
7	17395	INPUT SHAFT		1		
8	17396	MAINSHAFT		1		
9	X-7-650	CAPSCREW		1		
10	81559	BEARING		1		
11	17397	SNAP RING		1		
12	17398	DRIVE GEAR		1		
13	17399	SNAP RING		1		
14	17505	PLUG		1		S-1005
15	17402	GASKET		1		K-1479

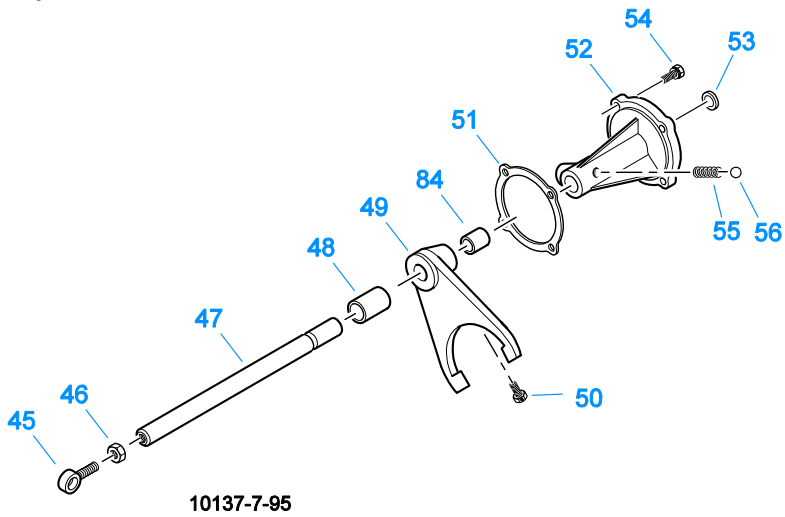
KITS & ASSEMBLIES

Item	Current Part	Description	Replaced Part	Qty.	Notes	Kits/Assys Where Needed
K-1479		GASKET KIT		1		
K-1552		-O- RING KIT		1	FOR AIR SHIFT ASSY	
K-2256		OIL SEAL KIT	14337 ,19109 ,21036	1		
K-2262		OIL SEAL W/SLINGER	19109 ,20807 ,20808	1	"FOR MECHANICAL COVER"	
K-3651		OIL SEAL TOOL KIT		1		
S-1005		HOUSING ASSY	17401	1		
S-1264		CASE ASSY	17400 ,18545	1		
S-1265		SHIFT PISTON ASSY	17417	1		
S-1347		REAR HOUSING ASSY	17548 ,18736 ,18757 ,18784 ,19100	1		
S-2119		REAR BRG COVER ASSY	20048 ,22045 ,4302009 ,4302031 ,S - 1558 S - 1560	1	EXTENDED	
S-2151		REAR BRG COVER ASSY	S - 1429	1		



MAINSHAFT ASSY

Item	Current Part	Description	Replaced Part	Qty.	Notes	Kits/Assys Where Needed
16	18543	SLIDING CLUTCH	17404	1		
17	17403	MAINSHAFT		1		
18	17405	REDUCTION GEAR		1		
19	17406	BEARING		1		
20	17410	SNAP RING		1		
21	17407	WASHER		1		
23	22254	NUT	11956	1		
24	15260	BEARING		1		
25	20191	ROTOR		1		



MECHANICAL SHIFT ASSY

Item	Current Part	Description	Replaced Part	Qty.	Notes	Kits/Assys Where Needed
45	1884	EYE ROD END		1		
46	X-1-700	NUT		1	7/16"-20	
47	18635	YOKE BAR	17420	1		
48	17421	SPACER		1		
49	17411	SHIFT YOKE		1		
50	3220	LOCKSCREW		1		
51	14347	GASKET		1		K-1479
52	17419	SHIFT CYLINDER		1		
53	17412	PLUG		1		
54	X-8L-604	CAPSCREW		4	3/8"-16X1-1/4"	
55	15918	SPRING		1		
56	X-14-800	STEEL BALL		1	1/2"	
84	4696	NLA-SPACER		1	TO BLOCK OUT LOW AND NEUTRAL	

MISCELLANEOUS

Item	Current Part	Description	Replaced Part	Qty.	Notes	Kits/Assys Where Needed
18457		WARNING LABEL		1		
18524		WARNING LABEL		1		
18544		WARNING LABEL		1		
71203		SILICONE LUBE		1	8 OZ (236.59 CC)-FLEET SIZE	
71204		ADHESIVE SEALANT		1	0.5 CC (SINGLE APPLICATION SIZE)	
71205		SEALANT		1	2 CC (SINGLE APPLICATION SIZE)	
71206		SILICONE LUBE		1	4 CC (SINGLE APPLICATION SIZE)	K-1552

