



**Roadranger®**

More time on the road®

# Illustrated Parts List

---

**FO-8406A-ASW**  
**July 2011**

## **Contents**

|  |          |
|--|----------|
| <b>How To Use The Illustrated Parts List .....</b> | <b>3</b> |
| <b>SERVICE PARTS LIST.....</b>                     | <b>6</b> |

## How To Use The Illustrated Parts List

The information contained in this document is subject to frequent updates. Therefore, for the latest information available, please visit the interactive Electronic Parts Catalog at [www.roadranger.com/epc](http://www.roadranger.com/epc).

### Model Designation or Nomenclature

- For information regarding Model Designation and Nomenclature, visit [www.roadranger.com](http://www.roadranger.com).

### Kits and Assemblies (K/A's)

- Kits and Assemblies contain groups of individual or assembled parts developed for optimal replacement or repair of a service problem.
- Kits and Assemblies are shown with applicable parts groupings in the parts listings.

### Identifying Kits and Assemblies

A- Part numbers beginning with the letter 'A' are pre-assembled Production Assemblies

K- Part numbers beginning with the letter 'K' are kits that are not assembled

S- Part numbers beginning with the letter 'S' are pre-assembled Service Assemblies

- Note: Some Production Assemblies do not begin with a letter prefix (Midrange only).

### Illustrations

- Illustrations show parts in assembly groups.
- Item numbers on illustrations correspond with parts listings on pages adjacent to the illustration.
- Notes are included on illustrations where additional information is needed.

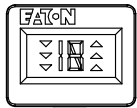
### Parts Listing

Parts listings are defined by parts groupings and are broken down by service assemblies. Parts listings identify a part for servicing with the following categories

- **Item Number** - corresponding with numbers on illustrations for part identification.
- **Current Part** - identifies part as it is available for service.
- **Description** - specifies part name or description.
- **Replaced Part** - quantity quantity required for assembly.
- **Quantity** - defines unique characteristics or requirements.
- **Notes** - indicates Kits or Assemblies that contain a particular part.
- **Kits/Assy's Where Used**

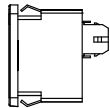


Top View

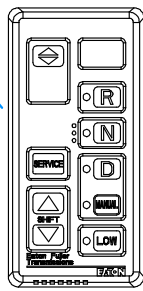


3

Side View

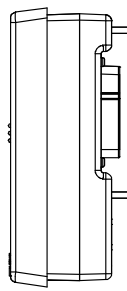


Top View

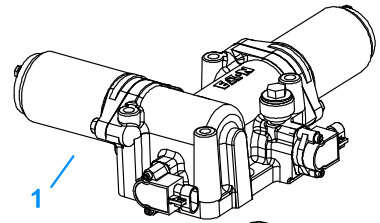


8

Side View

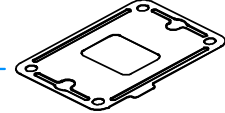


17 XY Shifter Repair Kit



1

2



Bulkhead Front Bearing Cover Kit

Torsion Coupler

15

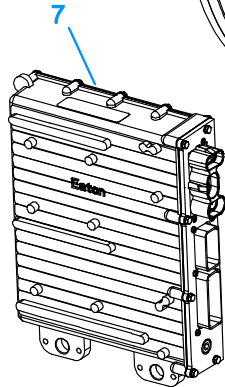
Stub Shaft Replacement Kit

14

13

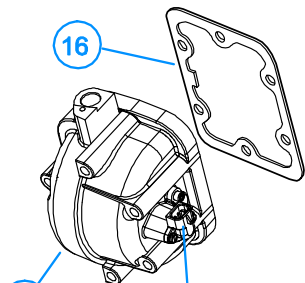
15

16



5

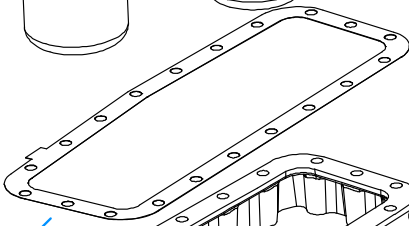
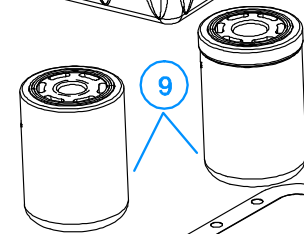
12



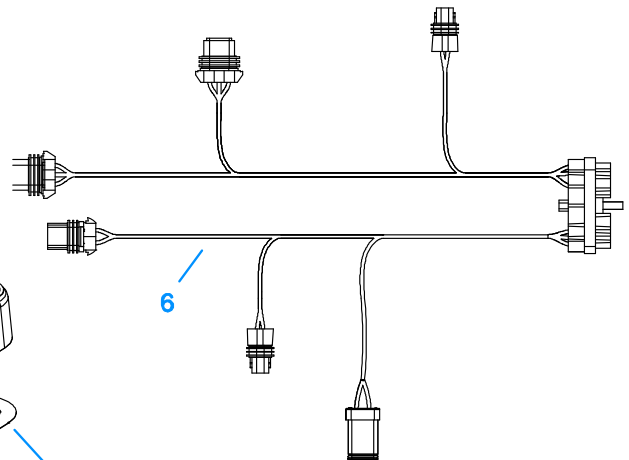
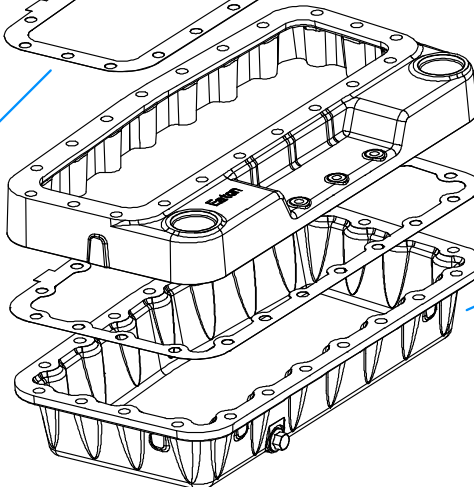
11

999

9



10



6

Indicates part of item 999

00500-10-02

## SERVICE PARTS LIST

| Item | Current Part | Description                                | Replaced Part                     | Qty. | Notes                                  | Kits/Assys Where Needed |
|------|--------------|--|-----------------------------------|------|--|-------------------------|
| 1    | K-3436       | XY SHIFTER KIT                             | 691381 ,A - 7034                  | 1    |  |                         |
| 2    | 4305452      | GASKET                                     | 4301958                           | 1    |  | K-3436,K-4009           |
| 3    | K-3199       | DRIVER DISPLAY MODULE                      | 4302640                           | 1    |  |                         |
| 4    | K-3231       | SPEED SENSOR KIT                           | A - 6398 ,A - 6724                | 1    | SINGLE PICK-UP (2 PIN)                 |                         |
| 5    | K-3648       | INERTIA BRAKE KIT                          | A - 7434 ,K - 3508, A-7828        | 1    |  |                         |
| 6    | K-4120       | TRANSMISSION HARNESS KIT                   | 691676 ,4305340, K-3609, 4307377  | 1    |  |                         |
| 7    | K-3516RX     | REMAN EXCHANGE TRANSMISSION CONTROLLER KIT | K-3516, K-3516R                   | 1    |  |                         |
| 8    | S-2989       | PUSHBUTTON ASSEMBLY                        | S - 2985                          | 1    |  |                         |
| 9    | K-3498       | OIL FILTER KIT                             | 4305476 ,4305783                  | 1    | OIL FILTER KIT INCLUDES OIL PAN GASKET |                         |
| 10   | K-3610       | OIL PAN REPLACEMENT KIT                    | 691888                            | 1    |  |                         |
| 11   | K-3611       | SPACER REPLACEMENT KIT                     | 691886                            | 1    |  |                         |
| 12   | K-3638       | I-BRAKE CONNECTOR KIT                      | 691499                            | 1    |  |                         |
| 13   | K-3765       | BULKHEAD FRONT BRG COVER KIT               |                                   | 1    |  | K-3858                  |
| 14   | K-3858       | STUB SHAFT REPLACEMENT KIT                 |                                   | 1    |  |                         |
| 15   | 125678       | TORSION COUPLER                            |                                   | 1    | THIS ITEM INCLUDES K-3765              |                         |
| 16   | 4305309      | GASKET                                     |                                   | 2    |  | K-3648                  |
| 17   | K-4009       | XY SHIFTER REPAIR KIT                      |                                   | 1    |  |                         |
| 999  | TN-C27-01R   | FO-8406A-ASW REMAN SERVICE UNIT            | TA-C27-01R ,TA-C27-01X, TA-C27-01 | 1    |  |                         |



