



Roadranger®

More time on the road®

Illustrated Parts List

FS-5205A
July 2011

Contents

How To Use The Illustrated Parts List	3
CASE.....	5
COUNTERSHAFT ASSY	7
INPUT SHAFT.....	8
KITS & ASSEMBLIES	9
LEVER ASSY	11
MAINSHAFT ASSY.....	14
MISCELLANEOUS	16
REMOTE CONTROL.....	17
REVERSE IDLER GEAR ASSY	18
SHIFT BAR HOUSING	19

How To Use The Illustrated Parts List

The information contained in this document is subject to frequent updates. Therefore, for the latest information available, please visit the interactive Electronic Parts Catalog at www.roadranger.com/epc.

Model Designation or Nomenclature

- For information regarding Model Designation and Nomenclature, visit www.roadranger.com.

Kits and Assemblies (K/A's)

- Kits and Assemblies contain groups of individual or assembled parts developed for optimal replacement or repair of a service problem.
- Kits and Assemblies are shown with applicable parts groupings in the parts listings.

Identifying Kits and Assemblies

A- Part numbers beginning with the letter 'A' are pre-assembled Production Assemblies

K- Part numbers beginning with the letter 'K' are kits that are not assembled

S- Part numbers beginning with the letter 'S' are pre-assembled Service Assemblies

- Note: Some Production Assemblies do not begin with a letter prefix (Midrange only).

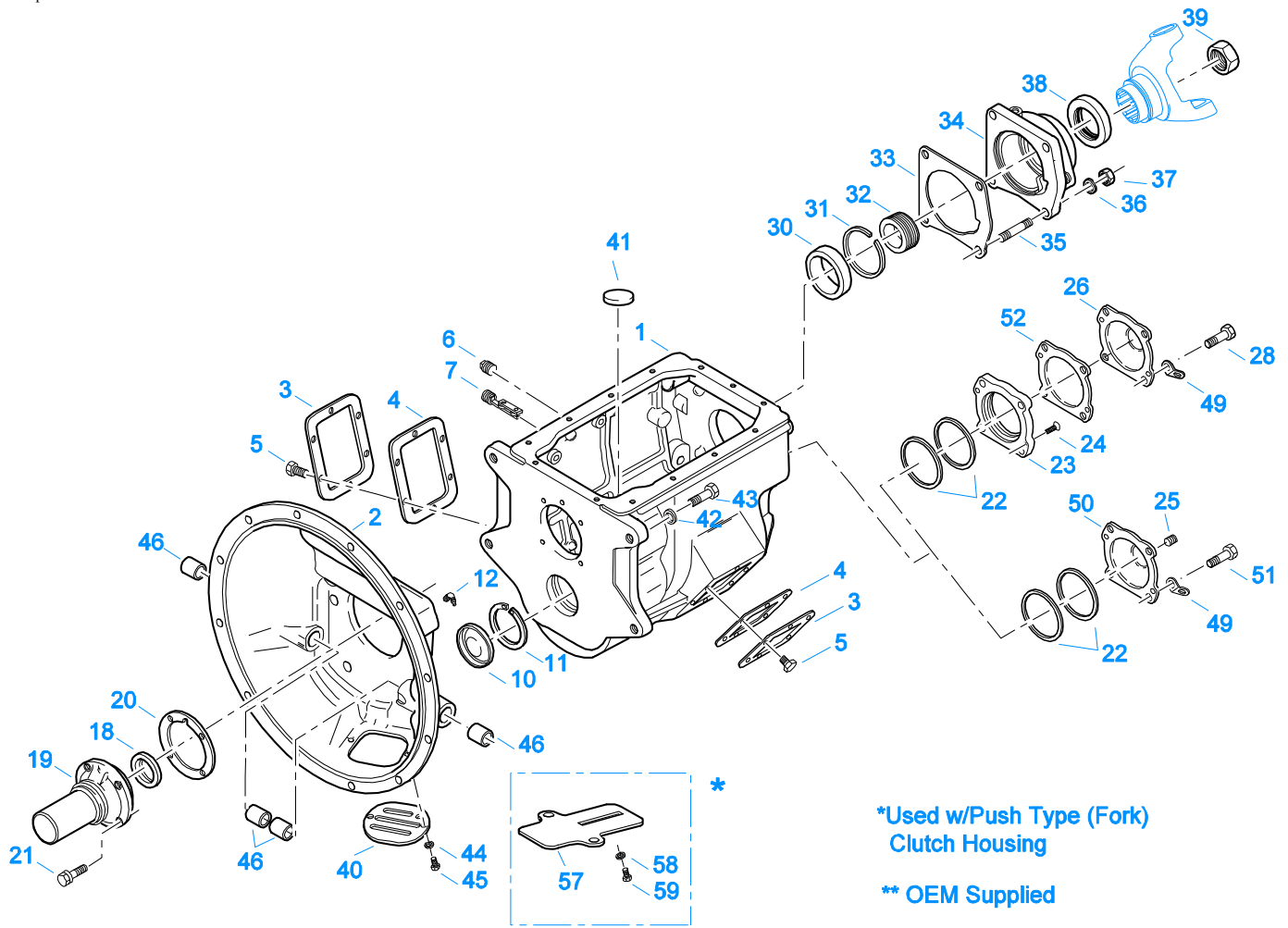
Illustrations

- Illustrations show parts in assembly groups.
- Item numbers on illustrations correspond with parts listings on pages adjacent to the illustration.
- Notes are included on illustrations where additional information is needed.

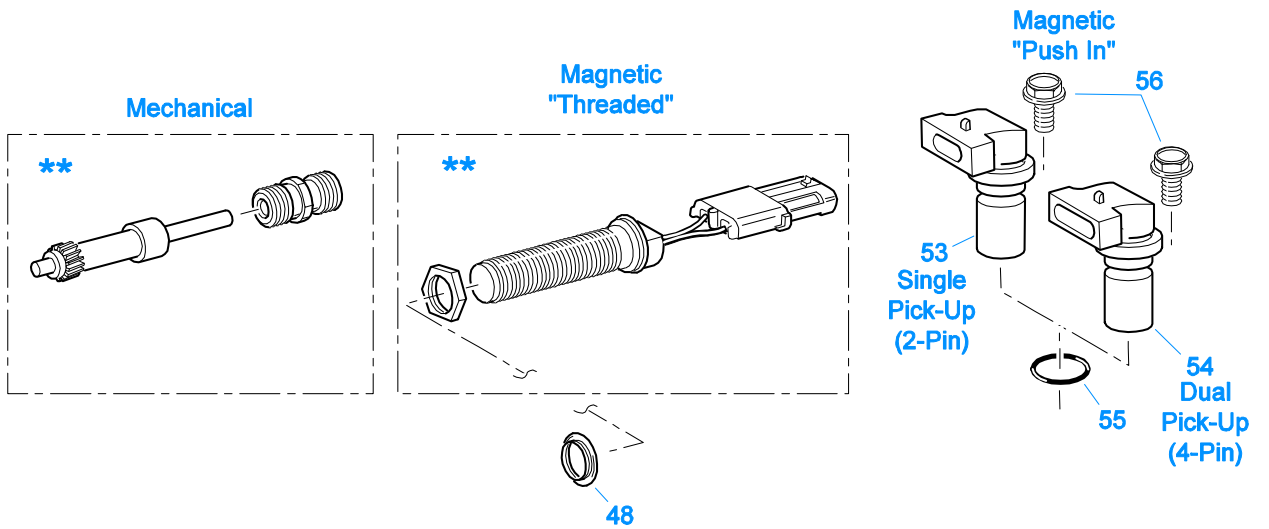
Parts Listing

Parts listings are defined by parts groupings and are broken down by service assemblies. Parts listings identify a part for servicing with the following categories

- **Item Number** - corresponding with numbers on illustrations for part identification.
- **Current Part** - identifies part as it is available for service.
- **Description** - specifies part name or description.
- **Replaced Part** - quantity quantity required for assembly.
- **Quantity** - defines unique characteristics or requirements.
- **Notes** - indicates Kits or Assemblies that contain a particular part.
- **Kits/Assy's Where Used**



Rear Bearing Cover Options

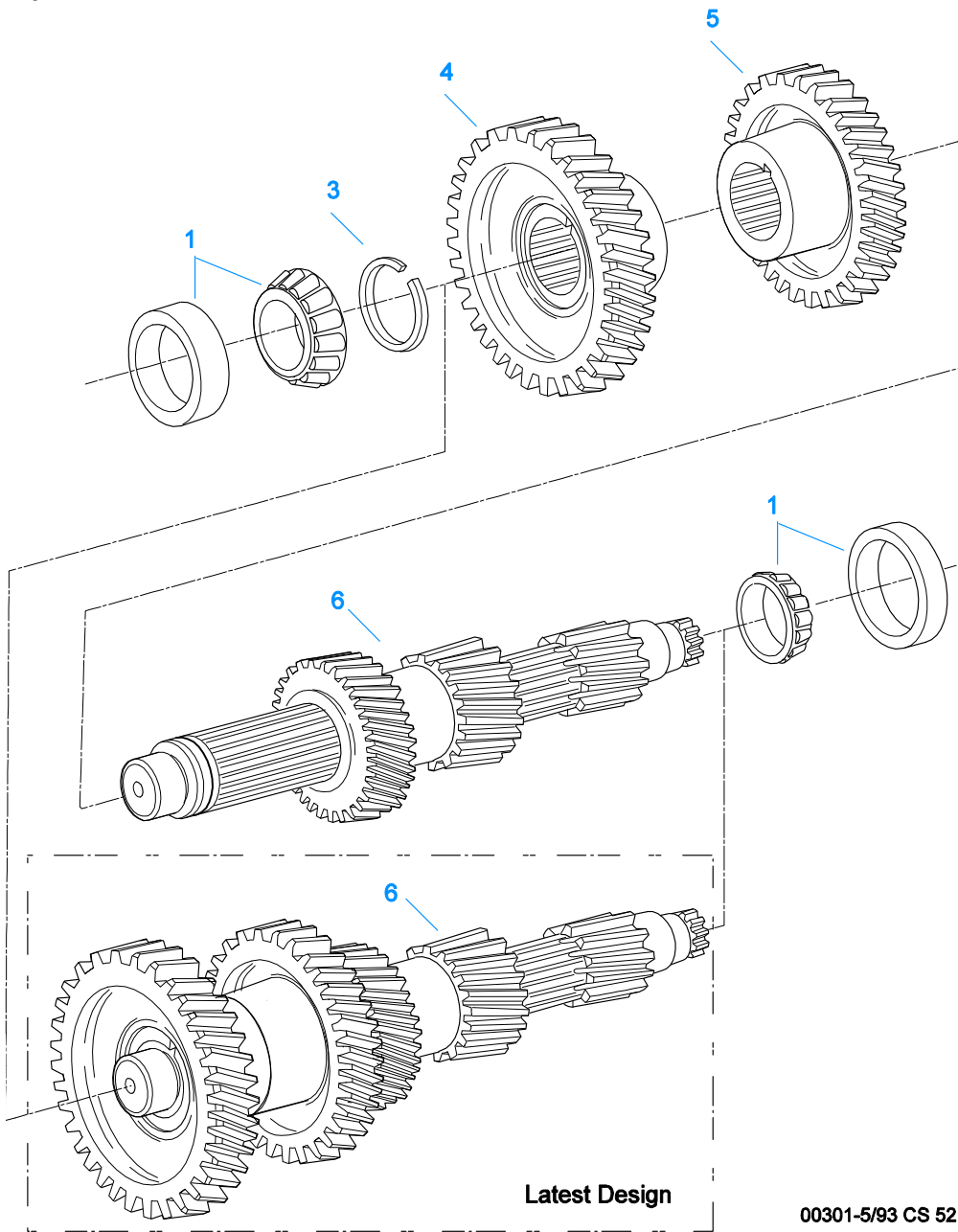


00181D-4-95

CASE

Item	Current Part	Description	Replaced Part	Qty.	Notes	Kits/Assys Where Needed
1	S-1922	CASE ASSY	4300983	1	METRIC BOSS HOLES	
2	A-5205	CLUTCH HSG ASSY	21646	1	#2 ALUMINUM, BELOW CENTER LINE PUSH TYPE	
2	A-5634	CLUTCH HSG ASSY	23726 ,3316236 ,3316237 ,A - 5632 ,A - 5771	1	#2 ALUMINUM, ABOVE CENTER LINE PULL TYPE	
2	A-5751	CLUTCH HSG ASSY	4300418	1	#2 ALUMINUM, BELOW CENTER LINE PUSH TYPE	
2	A-7513	CLUTCH HSG ASSY	3316239	1	#2 ALUMINUM, PUSH TYPE (FORK)	
3	201398	PTO COVER		2		
4	201400	GASKET		2		K-7030
5	239613	CAPSCREW		12	3/8"-16X5/8"	
6	X-12-1210	PIPE PLUG	X12 1206	1		
7	X-12-1207	PIPE PLUG	X12 1202 X12 1206	1	3/4" MAGNETIC	
10	3315679	PLUG		1		
11	3315686	SNAP RING		1		K-7031
12	10H25	FITTING-STRAIGHT		2		
12	4300301	FITTING-45 DEGREE	11H15	2		
18	4300121	OIL SEAL	3315623	1	SHAFT 1.873, WIDTH .375, OD 2.68	K-7032,K-7033
18	4300204	OIL SEAL	235394	1	SHAFT 1.873, WIDTH .375	K-7032,K-7033
18	4300798	OIL SEAL	235393	1	SHAFT 1.625, WIDTH .375	K-7032,K-7033
19	23147	FRONT BRG COVER-PULL	3315538	1	USE 4300121 OIL SEAL	
19	235357	FRONT BRG COVER-PUSH		1	USE 4300204 OIL SEAL	
19	235358	FRONT BRG COVER-PUSH		1	USE 4300798 OIL SEAL	
19	235650	FRONT BRG COVER-PULL		1	USE 4300204 OIL SEAL	
19	4300354	FRONT BRG COVER-PUSH		1	USE 4300204 OR 4300798 OIL SEAL	
19	4300355	FRONT BRG COVER-PUSH		1	USE 4300204 OIL SEAL	
19	4300882	FRONT BRG COVER-PUSH	237335	1	USE 4300798 OIL SEAL	
20	235403	SHIM .004		1	QUANTITY AS REQUIRED	K-2119
20	235404	SHIM .007		1	QUANTITY AS REQUIRED	K-2119
20	235405	SHIM .010		1	QUANTITY AS REQUIRED	K-2119
20	235406	SHIM .020		1	QUANTITY AS REQUIRED	K-2119
20	4300979	SHIM .040		1		
21	239614	SCREW		4	5/16-18X.81	
22	22015	SHIM .004		1	QUANTITY AS REQUIRED	K-2119
22	22016	SHIM .007		1	QUANTITY AS REQUIRED	K-2119
22	22017	SHIM .010		1	QUANTITY AS REQUIRED	K-2119
22	22018	SHIM .020		1	QUANTITY AS REQUIRED	K-2119
22	4300982	SHIM .040		1		
23	22011	NO LONGER AVAILABLE		1		
24	9G416H	SCREW		2	1/4"-20X1"	
25	X-12-405	PIPE PLUG		1		
26	22013	BEARING RETAINER		1		
28	X-8C-604	CAPSCREW		4	3/8"-16X1-1/4"	
30	235422	BEARING ASSY		1	INCLUDES 226331 SNAP RING	
31	226331	SNAP RING		1		K-7032,K-7033
32	21558	SPEEDO ROTOR		1	16 TEETH - 1.96 OUTPUT	
32	3314685	SPEEDO DRIVE GEAR		1	6 TEETH - 1.96 OUTPUT	
33	4300852	GASKET	235653 236733 4301096	1		K-7030,K-7041,K-7042
34	241705	REAR BRG COVER		1	SLEEVE THREAD AT RBC - 1"X20 USE 4300119 OIL SEAL	
34	K-7041	REAR BRG COVER KIT	4302617	1	12 X 3 BRAKE USE 4300119 OIL SEAL NOTE: PUSH-IN TYPE SPEEDO SENSOR	
34	K-7042	REAR BRG COVER KIT	4302618	1	USE 4300119 OIL SEAL NOTE: PUSH- IN TYPE SPEEDO SENSOR	
34	S-7033	REAR BRG COVER ASSY	23341 ,4302023	1	12 X 3 BRAKE USE 23484 OR 4300119 OIL SEAL NOTE: SENSOR SEAL REQUIRED	
34	S-7034	REAR BRG COVER ASSY	21557 ,4302000	1	USE 23484 OR 4300119 OIL SEAL NOTE: SENSOR SEAL REQUIRED	
35	239433	STUD		4	1/2"-20X2-5/16"	S-1922
36	239436	WASHER		4	1/2"	
37	86D8	NUT	86D08	4	1/2"-20	
38	23484	OIL SEAL		1	SHAFT 2.505, WIDTH .433	K-7032,K-7033
38	235655	OIL SEAL		1	SHAFT 2.75, WIDTH .5	K-7032,K-7033
38	4300119	OIL SEAL		1	SHAFT 2.753, WIDTH .5	K-7032,K-7033
38	4300203	OIL SEAL	229985 ,237983	1	SHAFT 2.503, WIDTH .5	
39	21937	NUT	216053 ,235656 ,238026	1	1-1/4"-18	
40	23380	COVER	206466	1		A-5205,A-5634,A- 5751,A-7513

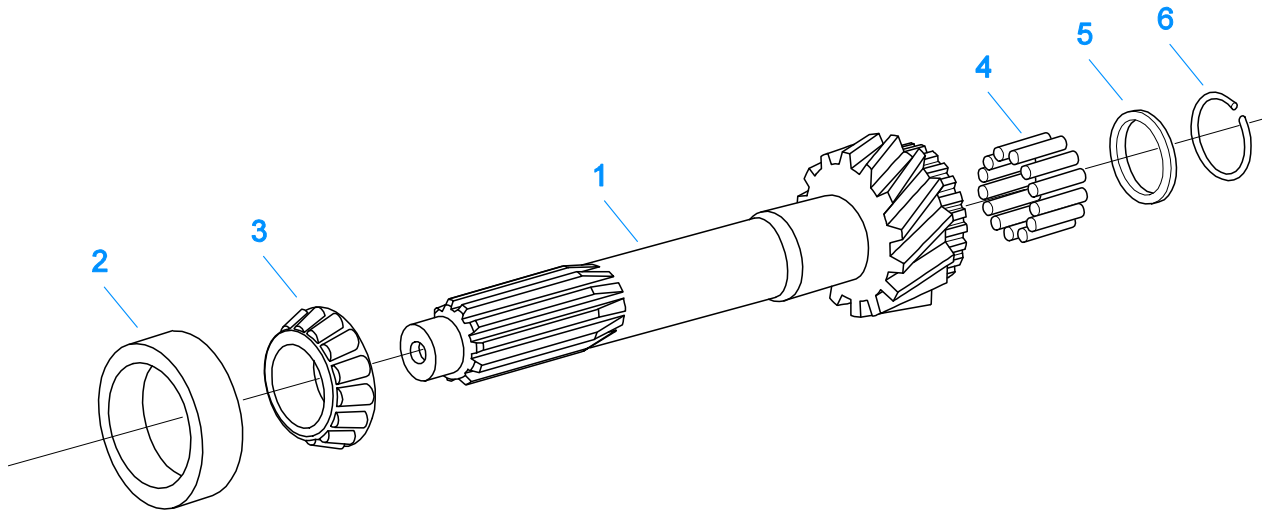
Item	Current Part	Description	Replaced Part	Qty.	Notes	Kits/Assys Where Needed
41	14373	MAGNET		1		S-1922
42	X-3-1000	LOCKWASHER		4	5/8"	
43	X-8-1011	CAPSCREW	1C1036	4	5/8"-11X2-1/4"	
44	X-3-400	LOCKWASHER	4E04	2	1/4"	
45	1C408	CAPSCREW		2	1/4"-20	
46	12815	BUSHING		4		A-5634,A-5751
46	8677	BUSHING		2	USED W/A-5205	A-5205
48	4301954	SENSOR SEAL		1		S-7033,S-7034
49	238370	LIFTING EYE		1		
50	4301603	BEARING RETAINER		1		
51	X-8-688	CAPSCREW		4	3/8"-16X1"	
52	22014	GASKET		1		K-7030
53	K-3454	SPEED SENSOR KIT	A - 6398 ,A - 6724	1	SINGLE PICK-UP (2 PIN)	
54	K-3455	SPEED SENSOR KIT, DUAL	A - 7046 ,A - 7518	1	DUAL PICK-UP (4 PIN)	
55	14142	-O- RING		1		K-7041,K-7042
56	X-8C-409	CAPSCREW		1	1/4"-20X5/8" (RETAINER FOR SENSOR)	
57	23639	COVER		1	USED ON LEFT OR RIGHT SIDE	
58	X-3-400	LOCKWASHER	4E04	2	1/4"	
59	1C408	CAPSCREW		2	1/4"-20	



00301-5/93 CS 52

COUNTERSHAFT ASSY

Item	Current Part	Description	Replaced Part	Qty.	Notes	Kits/Assys Where Needed
1	K-3859	COUNTERSHAFT BRG KIT	654166, 791943	2		
3	224024	SNAP RING		1		K-7031
4	4301181	DRIVE GEAR-CNTRSHFT		1		
5	4301691	4TH GEAR-CNTRSHFT		1		
6	4301185	COUNTERSHAFT		1		



00400-4/93 IS 42

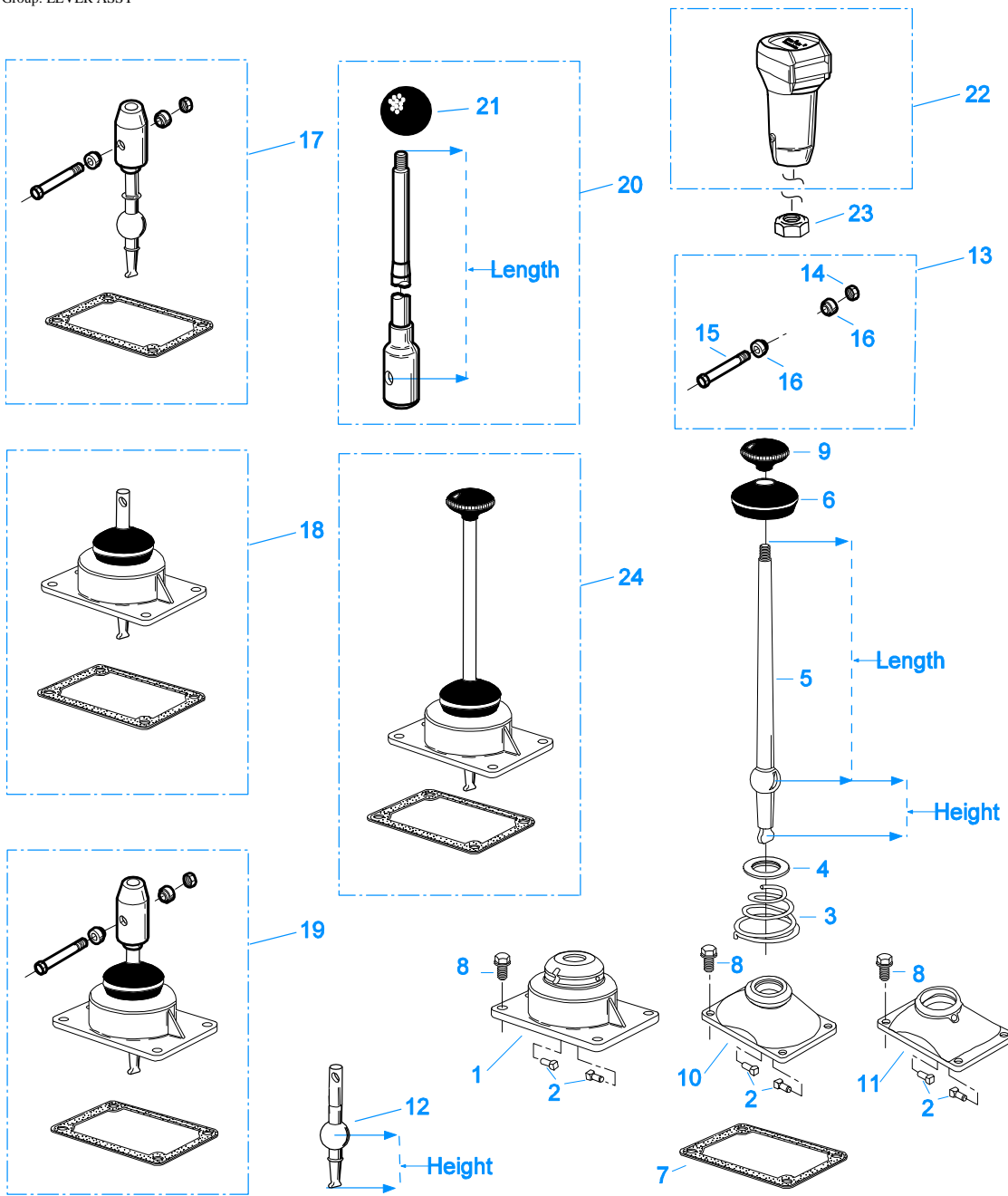
INPUT SHAFT

Item	Current Part	Description	Replaced Part	Qty.	Notes	Kits/Assys Where Needed
1	4301825	IN/SHAFT-1.75" PUSH/PULL		1	USE 23147 FRONT BRG COVER	
1	4301874	INPUT SHAFT-1.50" PUSH		1	USE 235358 FRONT BRG COVER	
1	4301875	INPUT SHAFT-1.50" PUSH		1	USE 235358 FRONT BRG COVER	
1	4301876	INPUT SHAFT-1.75" PUSH		1	USE 235357 FRONT BRG COVER	
1	4301877	IN/SHAFT-1.75" PUSH/PULL		1	USE 23147 FRONT BRG COVER	
1	4301879	INPUT SHAFT-1.50" PUSH		1	USE 4300355 FRONT BRG COVER	
1	4301898	INPUT SHAFT-1.50" PUSH		1	USE 4300882 FRONT BRG COVER	
2	1314774	BEARING CUP		1	1.50" INPUT	K-7032
2	235417	BEARING CUP		1	1.75" INPUT	K-7033
3	1314773	BEARING CONE		1	1.50" INPUT	K-7032
3	235418	BEARING CONE		1	1.75" INPUT	K-7033
4	235414	BEARING		14		K-7032,K-7033
5	235415	WASHER		1		K-7031
6	235416	SNAP RING		1		K-7031

KITS & ASSEMBLIES

Item	Current Part	Description	Replaced Part	Qty.	Notes	Kits/Assys Where Needed
K-2003		PIN & BUSHING KIT		1		
K-2119		SHIM KIT		1		
K-3389		CLUTCH/BAR REPL KIT	235607 ,4301712	1		
K-3421		SYNCHRONIZER KIT	K - 7004	1		
K-3479		SYNCHRONIZER KIT	K - 7005	1		
K-3859		COUNTERSHAFT BRG KIT	654166, 791943	1		
K-7030		GASKET KIT		1		K-7032,K-7033
K-7031		SMALL PARTS KIT		1		
K-7032		BASIC REBUILD KIT		1	FOR UNITS W/1.50" INPUT SHAFT	
K-7033		BASIC REBUILD KIT		1	FOR UNITS W/1.75" INPUT SHAFT	
K-7041		REAR BRG COVER KIT	4302617	1		
K-7042		REAR BRG COVER KIT	4302618	1		
K-7056		SHIFT LEVER HSG KIT	4302654	1	CAST IRON HOUSING LOW - LEVER HEIGHT 2-7/8"	
K-7057		SERVICE LEVER KIT 3-1/2"		1	HIGH - LEVER HEIGHT 3-1/2" NOTE: REQUIRES EXISTING LEVER TO BE CUT AND WELDED (INSTRUCTIONS INCLUDED)	
K-7058		SERVICE LEVER KIT 3-1/8"		1	MEDIUM - LEVER HEIGHT 3-1/8" NOTE: REQUIRES EXISTING LEVER TO BE CUT AND WELDED (INSTRUCTIONS INCLUDED)	
K-7059		SERVICE LEVER KIT 2-7/8"		1	LOW - LEVER HEIGHT 2-7/8" NOTE: REQUIRES EXISTING LEVER TO BE CUT AND WELDED (INSTRUCTIONS INCLUDED)	
K-7061		SHIFT LEVER HSG KIT	241075 ,4302711 ,A - 6439	1	ALUMINUM HOUSING MEDIUM - LEVER HEIGHT 3-1/8"	
K-7062		SHIFT LEVER HSG KIT	233080 ,4302711 ,A - 6440	1	ALUMINUM HOUSING HIGH - LEVER HEIGHT 3-1/2"	
K-7065		SHIFT LEVER HSG KIT	4302704 ,4302711 ,A - 6448	1	ALUMINUM HOUSING LOW - LEVER HEIGHT 2-7/8"	
K-7067		ISOLATED SHIFT LEVER KIT		1	29-3/4" STRAIGHT LEVER - "BEND TO SUIT" 1/2" X 13 THREAD	
K-7069		REMOTE CONTROL KIT	A - 5403	1	LEVER HEIGHT 85MM (3.35")	
S-1578		SHIFT LEVER ASSY 3-1/2"		1	COMPLETE ASSY - ALUMINUM HOUSING HIGH - LEVER HEIGHT 3-1/2" 27-1/2" STRAIGHT LEVER - "BEND TO SUIT" 3/8" X 24 THREAD	
S-1697		ISOLATOR LVR ASSY 3-1/2"		1	HIGH - LEVER HEIGHT 3-1/2"	
S-1821		ISOLATOR LVR ASSY 3-1/8"		1	MEDIUM - LEVER HEIGHT 3-1/8"	
S-1827		SHIFT LEVER ASSY 3-1/8"	S-7079	1	COMPLETE ASSY - ALUMINUM HOUSING MEDIUM - LEVER HEIGHT 3-1/8" 27-1/2" STRAIGHT LEVER - "BEND TO SUIT" 3/8" X 24 THREAD	
S-1922		CASE ASSY	4300983	1	METRIC BOSS HOLES	
S-7015		ISOLATOR LVR ASSY 2-7/8"		1	LOW - LEVER HEIGHT 2-7/8"	
S-7033		REAR BRG COVER ASSY	23341 ,4302023	1		
S-7034		REAR BRG COVER ASSY	21557 ,4302000	1		
S-7045		SHIFT LEVER ASSY 2-7/8"		1	COMPLETE ASSY - ALUMINUM HOUSING LOW - LEVER HEIGHT 2-7/8" 33" STRAIGHT LEVER - "BEND TO SUIT" 3/8" X 24 THREAD	
S-7063		SERVICE LVR ASSY 3-1/8"		1	MEDIUM - LEVER HEIGHT 3-1/8" NOTE: REQUIRES EXISTING LEVER TO BE CUT AND WELDED (INSTRUCTIONS INCLUDED)	
S-7064		SERVICE LVR ASSY 2-7/8"		1	LOW - LEVER HEIGHT 2-7/8" NOTE: REQUIRES EXISTING LEVER TO BE CUT AND WELDED (INSTRUCTIONS INCLUDED)	
S-7065		SERVICE LVR ASSY 3-1/2"		1	HIGH - LEVER HEIGHT 3-1/2" NOTE: REQUIRES EXISTING LEVER TO BE CUT AND WELDED	

Item	Current Part	Description	Replaced Part	Qty.	Notes	Kits/Assys Where Needed
					(INSTRUCTIONS INCLUDED)	
	S-7082	SHIFT BAR HSG ASSY	235626 ,4302945	1	COMPLETE REVERSE SWITCH POSITION - RIGHT FRONT	
	S-7087	SHIFT BAR HSG ASSY	4300339 ,4302957	1	COMPLETE - W/NEUTRAL SWITCH PROVISION REVERSE SWITCH POSITION - RIGHT REAR	
	S-7090	SHIFT LEVER ASSY 3-1/2"		1	COMPLETE ASSY - ALUMINUM HOUSING HIGH - LEVER HEIGHT 3- 1/2" 33" STRAIGHT LEVER - "BEND TO SUIT" 3/8" X 24 THREAD	



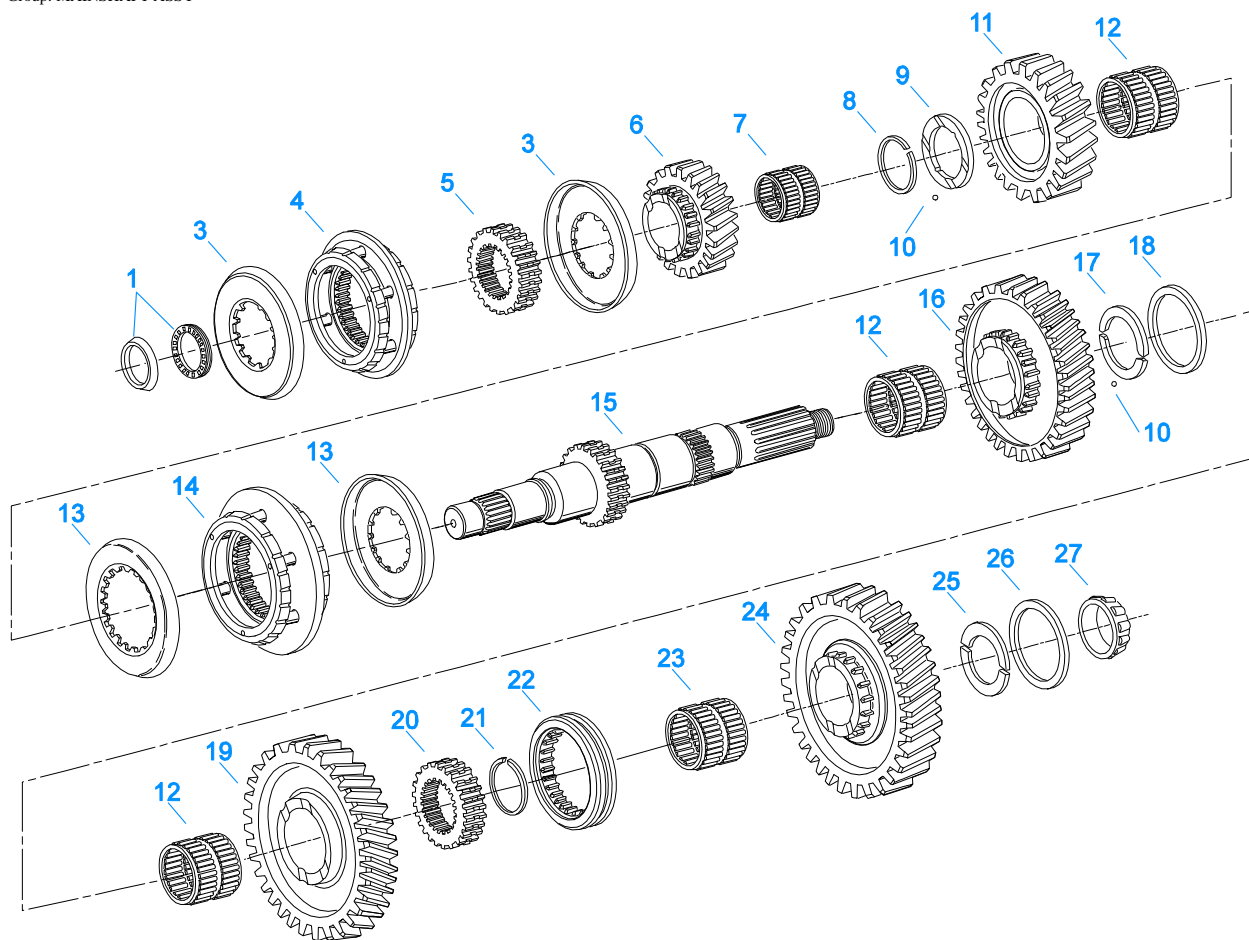
00173-4-95 LA

LEVER ASSY

Item	Current Part	Description	Replaced Part	Qty.	Notes	Kits/Assys Where Needed
1	K-7062	SHIFT LEVER HSG KIT	233080,4302711 ,A - 6440	1	ALUMINUM HOUSING HIGH - LEVER HEIGHT 3-1/2"	
2	201054	PIN		2	FOR HSGS WITHOUT PIN SLEEVES	
2	23180	PIN		2	FOR HSGS WITH PIN SLEEVES	K-7056,K-7061,K-7062,K-7065,S-1578,S-1697,S-1821,S-1827,S-7015,S-7045,S-7063,S-7064,S-7065,S-7090
3	4300690	SPRING	229337	1		S-1578,S-1697,S-1821,S-1827,S-7015,S-7045,S-7063,S-7064,S-7065,S-7090

Item	Current Part	Description	Replaced Part	Qty.	Notes	Kits/Assys Where Needed
3	4301936	SPRING		1	USE W/CAST IRON SHIFT LEVER HOUSING	
4	23181	WASHER		1		S-1578,S-1697,S-1821,S-1827,S-7015,S-7045,S-7063,S-7064,S-7065,S-7090
5	21722	SHIFT LEVER 27-1/2"		1	USE WITH HIGH TOWER 27-1/2" STRAIGHT LEVER - "BEND TO SUIT" 3/8" X 24 THREAD	S-1578
5	22138	SHIFT LEVER 33"		1	USE WITH HIGH TOWER 33" STRAIGHT LEVER - "BEND TO SUIT" 3/8" X 24 THREAD	S-7090
5	22139	SHIFT LEVER 31-1/2"		1	USE WITH MEDIUM TOWER 31-1/2" STRAIGHT LEVER - "BEND TO SUIT" 3/8" X 24 THREAD	
5	241076	SHIFT LEVER 27-1/2"		1	USE WITH MEDIUM TOWER 27-1/2" STRAIGHT LEVER - "BEND TO SUIT" 3/8" X 24 THREAD	S-1827
5	4302823	SHIFT LEVER 33"		1	USE WITH LOW TOWER 33" STRAIGHT LEVER - "BEND TO SUIT" 3/8" X 24 THREAD	S-7045
6	202484	DUST COVER		1		S-1578,S-1697,S-1821,S-1827,S-7015,S-7045,S-7063,S-7064,S-7065,S-7090
7	4301958	GASKET		1		K-7030,K-7056,K-7057,K-7058,K-7059,K-7061,K-7062,K-7065,K-7069,S-1578,S-1697,S-1821,S-1827,S-7015,S-7045,S-7063,S-7064,S-7065,S-7090
8	X-8C-604	CAPSCREW		4	3/8"-16X1-1/4"	
9	201401	SHIFT KNOB		1	3/8"X24 THREAD	S-1578,S-7045,S-7090
10	K-7061	SHIFT LEVER HSG KIT	241075 ,4302711 ,A - 6439	1	ALUMINUM HOUSING MEDIUM - LEVER HEIGHT 3-1/8"	
11	K-7056	SHIFT LEVER HSG KIT	4302654	1	CAST IRON HOUSING LOW - LEVER HEIGHT 2-7/8"	
11	K-7065	SHIFT LEVER HSG KIT	4302704 ,4302711 ,A - 6448	1	ALUMINUM HOUSING LOW - LEVER HEIGHT 2-7/8"	
12	22383	STUB, SHIFT LEVER 3-1/8"		1	MEDIUM - LEVER HEIGHT 3-1/8"	K-7058,S-1821,S-7063
12	22384	STUB, SHIFT LEVER 3-1/2"		1	HIGH - LEVER HEIGHT 3-1/2"	K-7057,S-1697,S-7065
12	4301937	STUB, SHIFT LEVER 2-7/8"		1	LOW - LEVER HEIGHT 2-7/8"	K-7059,S-7015,S-7064
13	K-2003	PIN & BUSHING KIT		1		
14	X-9-503	NUT		1		
15	X-8-560	SCREW		1		
16	21246	BUSHING		2		K-2003,K-7057,K-7058,K-7059,S-7063,S-7064,S-7065
17	K-7057	SERVICE LEVER KIT 3-1/2"		1	HIGH - LEVER HEIGHT 3-1/2" NOTE: REQUIRES EXISTING LEVER TO BE CUT AND WELDED (INSTRUCTIONS INCLUDED)	
17	K-7058	SERVICE LEVER KIT 3-1/8"		1	MEDIUM - LEVER HEIGHT 3-1/8" NOTE: REQUIRES EXISTING LEVER TO BE CUT AND WELDED (INSTRUCTIONS INCLUDED)	
17	K-7059	SERVICE LEVER KIT 2-7/8"		1	LOW - LEVER HEIGHT 2-7/8" NOTE: REQUIRES EXISTING LEVER TO BE CUT AND WELDED (INSTRUCTIONS INCLUDED)	
18	S-1697	ISOLATOR LVR ASSY 3-1/2"		1	HIGH - LEVER HEIGHT 3-1/2"	
18	S-1821	ISOLATOR LVR ASSY 3-1/8"		1	MEDIUM - LEVER HEIGHT 3-1/8"	
18	S-7015	ISOLATOR LVR ASSY 2-7/8"		1	LOW - LEVER HEIGHT 2-7/8"	
19	S-7063	SERVICE LVR ASSY 3-1/8"		1	MEDIUM - LEVER HEIGHT 3-1/8" NOTE: REQUIRES EXISTING LEVER TO BE CUT AND WELDED (INSTRUCTIONS INCLUDED)	
19	S-7064	SERVICE LVR ASSY 2-7/8"		1	LOW - LEVER HEIGHT 2-7/8" NOTE:	

Item	Current Part	Description	Replaced Part	Qty.	Notes	Kits/Assys Where Needed
19	S-7065	SERVICE LVR ASSY 3-1/2"		1	REQUIRES EXISTING LEVER TO BE CUT AND WELDED (INSTRUCTIONS INCLUDED) HIGH - LEVER HEIGHT 3-1/2" NOTE: REQUIRES EXISTING LEVER TO BE CUT AND WELDED (INSTRUCTIONS INCLUDED)	
20	K-7067	ISOLATED SHIFT LEVER KIT		1	29-3/4" STRAIGHT LEVER - "BEND TO SUIT" 1/2" X 13 THREAD	
21	17560	LEVER GRIP		1	1/2"X13 THREAD	K-7067
22	A-6335	SHIFT KNOB ASSY		1	W/5 SPEED EMBLEM, 1/2" X 13 THREAD	
23	X-9-802	NUT		1	1/2"X13 THREAD	
24	S-1578	SHIFT LEVER ASSY 3-1/2"		1	COMPLETE ASSY - ALUMINUM HOUSING HIGH - LEVER HEIGHT 3-1/2" 27-1/2" STRAIGHT LEVER - "BEND TO SUIT" 3/8" X 24 THREAD	
24	S-1827	SHIFT LEVER ASSY 3-1/8"	S-7079	1	COMPLETE ASSY - ALUMINUM HOUSING MEDIUM - LEVER HEIGHT 3-1/8" 27-1/2" STRAIGHT LEVER - "BEND TO SUIT" 3/8" X 24 THREAD	
24	S-7045	SHIFT LEVER ASSY 2-7/8"		1	COMPLETE ASSY - ALUMINUM HOUSING LOW - LEVER HEIGHT 2-7/8" 33" STRAIGHT LEVER - "BEND TO SUIT" 3/8" X 24 THREAD	
24	S-7090	SHIFT LEVER ASSY 3-1/2"		1	COMPLETE ASSY - ALUMINUM HOUSING HIGH - LEVER HEIGHT 3-1/2" 33" STRAIGHT LEVER - "BEND TO SUIT" 3/8" X 24 THREAD	



00201-5/93 MS 52

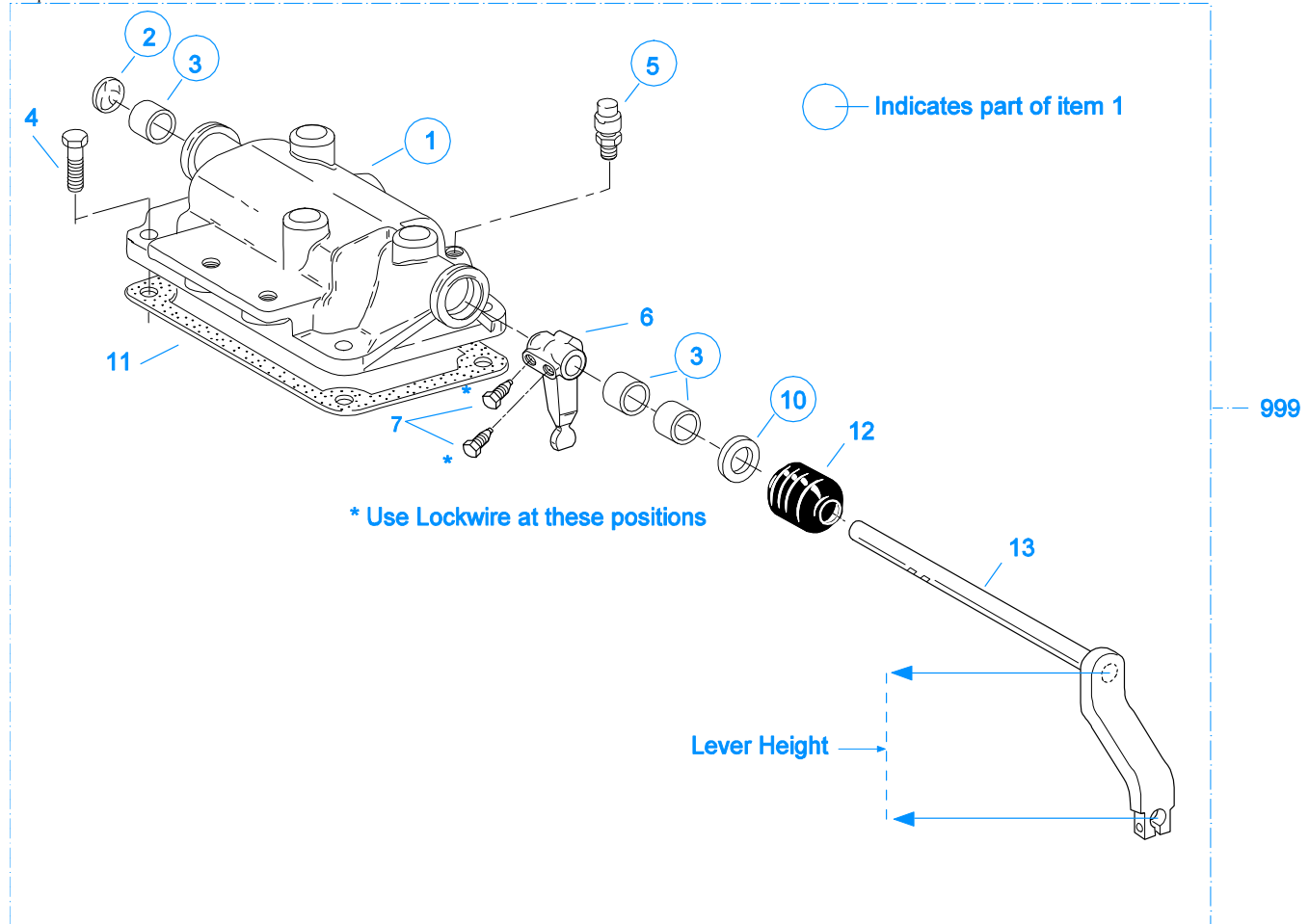
MAINSHAFT ASSY

Item	Current Part	Description	Replaced Part	Qty.	Notes	Kits/Assys Where Needed
1	K-3704	BEARING & RACE KIT	235382 ,235383	1		
3	3001435	SYNCHRONIZER CUP	4301565	2		K-3479
4	A-6609	SYNCHRONIZER ASSY 4/5	A - 6144	1		K-3479
5	4303689	CLUTCH HUB 4/5	4301534	1		K-3303
6	K-3303	4TH GEAR-REPLACEMENT KIT	4301685	1		
7	239651	BEARING		1		K-7032,K-7033
8	224069	SNAP RING		1		K-7031
9	4303687	WASHER	23017	1		K-7031
10	10J06	STEEL BALL		2	3/16"	K-7031
11	4301686	3RD GEAR-MAINSHAFT		1		
12	239653	BEARING		3		K-7032,K-7033
13	4301467	SYNCHRONIZER CUP		2		K-3421
14	A-6608	SYNCHRONIZER ASSY 2/3	A - 6137	1		K-3421
15	4301684	MAINSHAFT		1	1.96 OUTPUT	
15	4301933	MAINSHAFT		1	2.0 OUTPUT	
15	4302992	MAINSHAFT		1	1.75 OUTPUT	
16	4301687	2ND GEAR-MAINSHAFT		1		
17	235378	SPLIT WASHER		2		K-7031
18	235379	RETAINER		1		K-7031
19	4301689	REVERSE GEAR-MAINSHAFT		1		
20	4301706	CLUTCH HUB 1/REV		1		
21	235372	SNAP RING		1		K-7031
22	4304466	SLIDING CLUTCH		1		K-3389
22	K-3389	CLUTCH/BAR REPL KIT	235607 ,4301712	1		
23	239818	BEARING		1		K-7032,K-7033

Item	Current Part	Description	Replaced Part	Qty.	Notes	Kits/Assys Where Needed
24	4301688	1ST GEAR-MAINSHAFT		1		
25	235374	SPLIT WASHER		2		K-7031
26	235375	RETAINER		1		K-7031
27	237227	BEARING CONE		1		K-7032,K-7033

MISCELLANEOUS

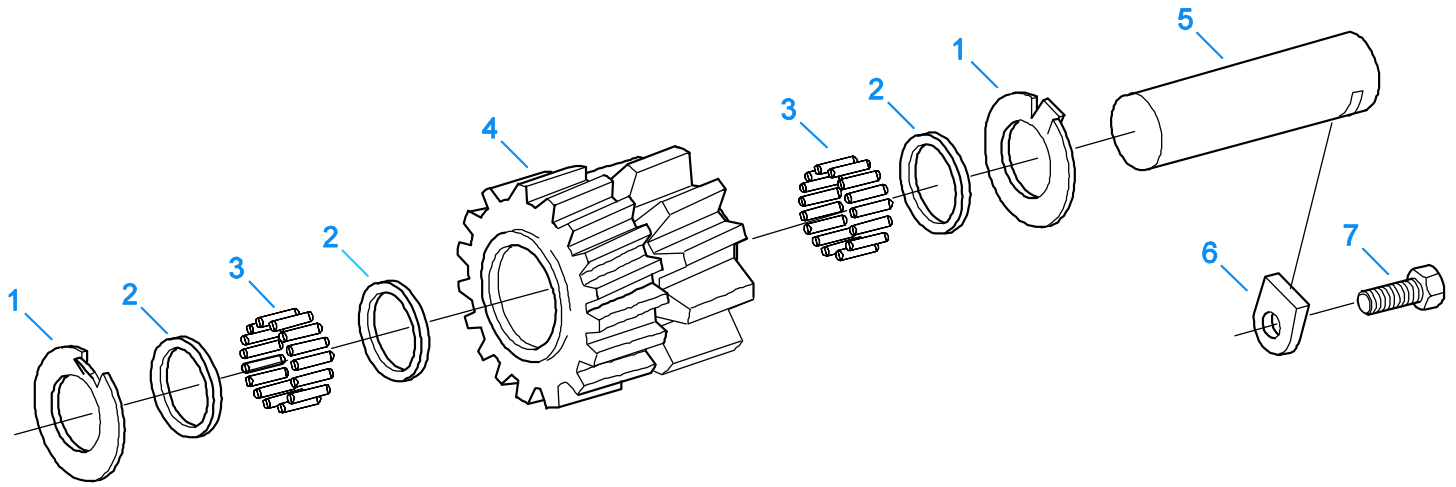
Item	Current Part	Description	Replaced Part	Qty.	Notes	Kits/Assys Where Needed
71203		SILICONE LUBE		1	8 OZ (236.59 CC)-FLEET SIZE	
71204		ADHESIVE SEALANT		1	0.5 CC (SINGLE APPLICATION SIZE)	
71205		SEALANT		1	2 CC (SINGLE APPLICATION SIZE)	
71206		SILICONE LUBE		1	4 CC (SINGLE APPLICATION SIZE)	
71231		GASKET SEALANT		1	8 MILLILITER SIZE	K-2119
71232		THREAD ADHESIVE		1	10 MILLILITER SIZE	K-7032,K-7033



00152-4-95 RCH

REMOTE CONTROL

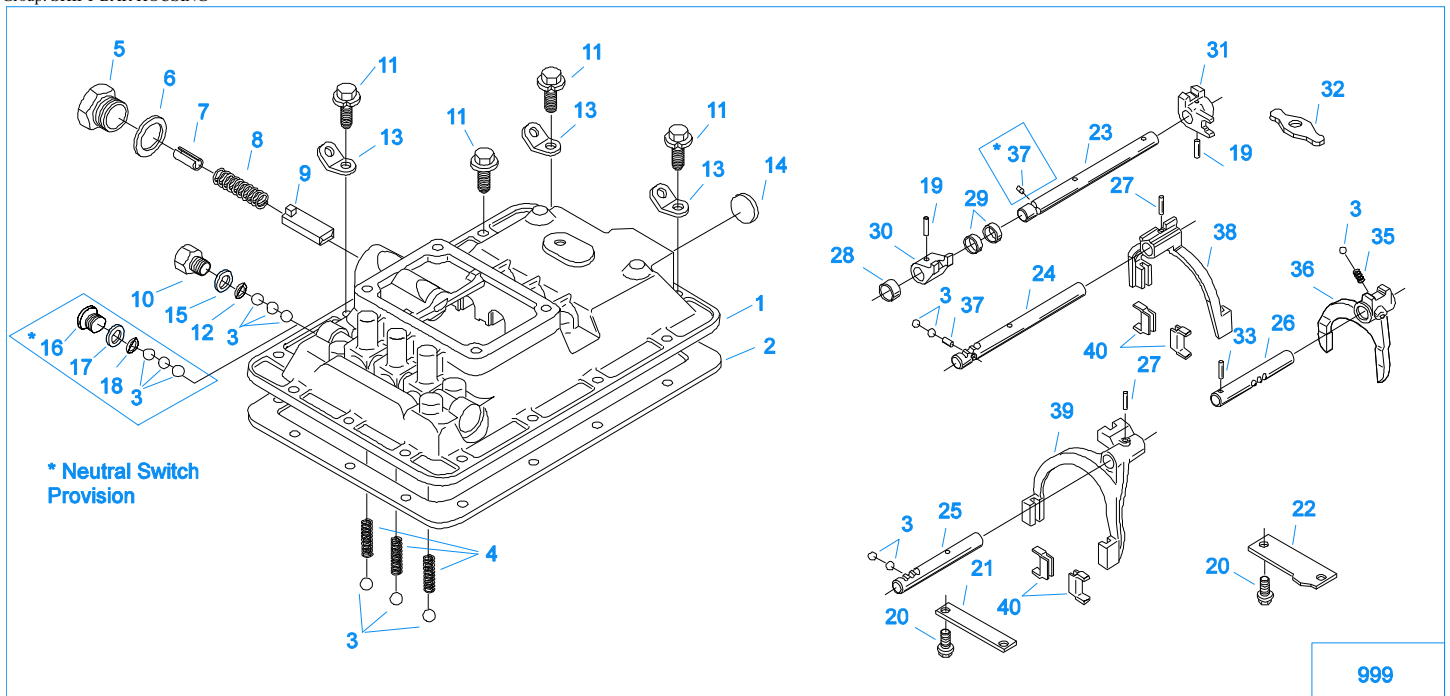
Item	Current Part	Description	Replaced Part	Qty.	Notes	Kits/Assys Where Needed
1	3316308	CONTROL HOUSING ASSY	22115 ,3316309	1		
2	12F100	PLUG 1"		1		
3	3312252	BUSHING		3		
4	X-8C-604	CAPSCREW		4	3/8"-16X1-1/4"	
5	3315948	BREATHER		1		
6	3316290	SHIFT FINGER		1		
7	3315272	SCREW		2		
10	3312225	OIL SEAL		1		
11	4301958	GASKET		1		K-7030,K-7056,K-7057,K-7058,K-7059,K-7061,K-7062,K-7065,K-7069,S-1578,S-1697,S-1821,S-1827,S-7015,S-7045,S-7063,S-7064,S-7065,S-7090
12	3314302	BOOT		1		
13	A-5312	SHAFT & LEVER ASSY		1	LEVER HEIGHT 85MM (3.35")	
999	K-7069	REMOTE CONTROL KIT	A - 5403	1	LEVER HEIGHT 85MM (3.35")	



00451-5/93

REVERSE IDLER GEAR ASSY

Item	Current Part	Description	Replaced Part	Qty.	Notes	Kits/Assys Where Needed
1	240023	WASHER		2		K-7031
2	235413	SPACER		3		K-7031
3	235412	BEARING		52		K-7032,K-7033
4	235392	IDLER GEAR		1		
5	203609	IDLER SHAFT		1		
6	201929	SHAFT LOCK		1		
7	X-8C-600	CAPSCREW	239611	1	3/8"-16X1"	



00101-6/93 SBH 52

SHIFT BAR HOUSING

Item	Current Part	Description	Replaced Part	Qty.	Notes	Kits/Assys Where Needed
1	A-6535	SHIFT BAR HSG ASSY	235626 ,4302945	1	HOUSING ONLY REVERSE SWITCH POSITION - RIGHT FRONT	
1	A-6539	SHIFT BAR HSG ASSY	4300339 ,4302957	1	HOUSING ONLY - W/NEUTRAL SWITCH PROVISION REVERSE SWITCH POSITION - RIGHT REAR	
2	228330	GASKET		1		K-7030,S-7082,S-7087
3	10J14	STEEL BALL		11	7/16" - HOUSING W/REVERSE SWITCH ONLY	
3	10J14	STEEL BALL		14	7/16"-HOUSING W/NEUTRAL SWITCH PROVISION	
4	4303939	SPRING	201045	3		
5	235621	PLUG 1"		1		
6	235622	GASKET		1		K-7030
7	240496	SPACER		1		
8	3316218	SPRING		1		
9	4301700	REVERSE PLUNGER		1		
10	235052	CA PLUG		1	9/16 - 18	
10	4303656	PLUG	15917	1	9/16 - 18, THREADED	
11	X-8C-600	CAPSCREW	239611	14	3/8"-16X1"	
12	4301719	BALL RETAINER-REVERSE		1		
13	238370	LIFTING EYE		3		
14	5879	NO LONGER AVAILABLE		1		
15	15900	GASKET		1		K-7030,S-7082,S-7087
16	4303655	PLUG	17178	1		S-7087
17	17179	GASKET		1		S-7087
18	4301718	BALL RETAINER-NEUTRAL		1		
19	1JM6028	PIN		2		
20	233043	CAPSCREW		4	3/8"-16X1"	
21	4301277	SHIFT BAR RETAINER		1	FRONT	
22	235609	SHIFT BAR RETAINER		1	REAR	
23	4302213	YOKE BAR 1ST/REV		1	USE W/235626, 4302945 OR A-6535 HOUSING	
23	4302657	YOKE BAR 1ST/REV		1	USE W/4300339, 4302957 OR A-6539 HOUSING	
24	4301703	YOKE BAR 2ND/3RD		1		
25	4301702	YOKE BAR 4TH/5TH		1		

Item	Current Part	Description	Replaced Part	Qty.	Notes	Kits/Assys Where Needed
26	4304465	YOKE BAR 1ST/REV		1		K-3389
26	K-3389	CLUTCH/BAR REPL KIT	235607 ,4301712	1		
27	14J1818	PIN		2		
28	204756	SPACER		1	FRONT	
29	233384	SPACER		2	REAR	
30	4300402	SHIFT BLOCK 1ST/REV		1		
31	4301714	REVERSE BLOCK		1		
32	4301692	ACTUATOR		1		
33	106358	PIN		1		
35	206641	SPRING		1		
36	4301772	YOKE 1ST/REV		1		
37	201044	PIN		1	HOUSING W/REVERSE SWITCH ONLY	
37	201044	PIN		2	HOUSING W/NEUTRAL SWITCH PROVISION	
38	A-6226	YOKE 2ND/3RD	4301695	1		
39	A-6225	YOKE 4TH/5TH	4301693	1		
40	227675	INSERT - YOKE PAD		4		A-6225,A-6226
999	S-7082	SHIFT BAR HSG ASSY	235626 ,4302945	1	COMPLETE REVERSE SWITCH POSITION - RIGHT FRONT	
999	S-7087	SHIFT BAR HSG ASSY	4300339 ,4302957	1	COMPLETE - W/NEUTRAL SWITCH PROVISION REVERSE SWITCH POSITION - RIGHT REAR	

