



**Roadranger®**

More time on the road®

# Illustrated Parts List

---

**FS-6305B**  
**July 2011**

## **Contents**

<b>How To Use The Illustrated Parts List .....</b>	<b>3</b>
<b>CASE.....</b>	<b>4</b>
<b>COUNTERSHAFT ASSY .....</b>	<b>6</b>
<b>INPUT SHAFT.....</b>	<b>7</b>
<b>KITS &amp; ASSEMBLIES .....</b>	<b>8</b>
<b>LEVER ASSY .....</b>	<b>9</b>
<b>MAINSHAFT ASSY.....</b>	<b>11</b>
<b>MISCELLANEOUS .....</b>	<b>13</b>
<b>REMOTE CONTROL.....</b>	<b>14</b>
<b>REVERSE IDLER GEAR ASSY .....</b>	<b>15</b>
<b>SHIFT BAR HOUSING .....</b>	<b>16</b>

## How To Use The Illustrated Parts List

The information contained in this document is subject to frequent updates. Therefore, for the latest information available, please visit the interactive Electronic Parts Catalog at [www.roadranger.com/epc](http://www.roadranger.com/epc).

### Model Designation or Nomenclature

- For information regarding Model Designation and Nomenclature, visit [www.roadranger.com](http://www.roadranger.com).

### Kits and Assemblies (K/A's)

- Kits and Assemblies contain groups of individual or assembled parts developed for optimal replacement or repair of a service problem.
- Kits and Assemblies are shown with applicable parts groupings in the parts listings.

### Identifying Kits and Assemblies

A- Part numbers beginning with the letter 'A' are pre-assembled Production Assemblies

K- Part numbers beginning with the letter 'K' are kits that are not assembled

S- Part numbers beginning with the letter 'S' are pre-assembled Service Assemblies

- Note: Some Production Assemblies do not begin with a letter prefix (Midrange only).

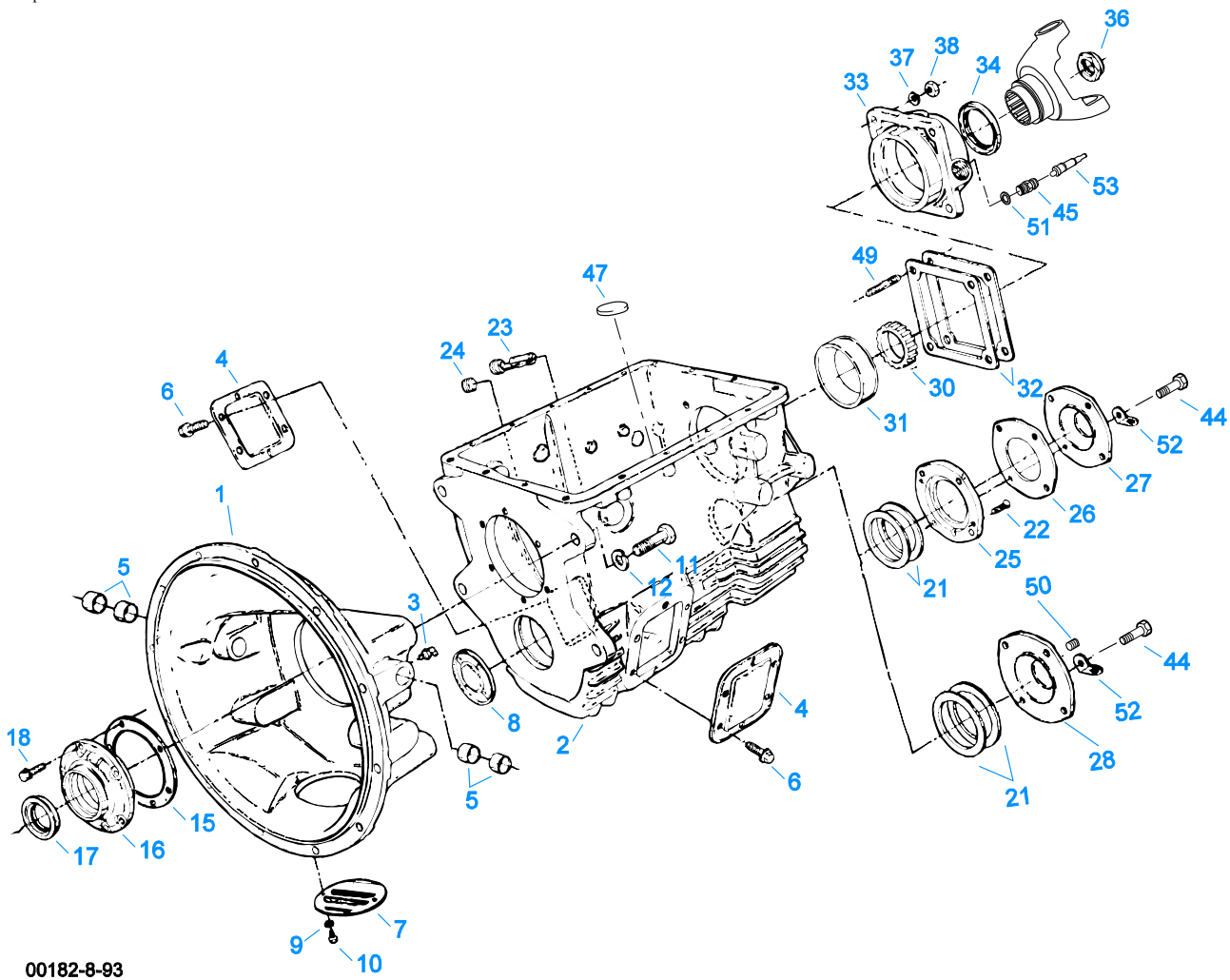
### Illustrations

- Illustrations show parts in assembly groups.
- Item numbers on illustrations correspond with parts listings on pages adjacent to the illustration.
- Notes are included on illustrations where additional information is needed.

### Parts Listing

Parts listings are defined by parts groupings and are broken down by service assemblies. Parts listings identify a part for servicing with the following categories

- **Item Number** - corresponding with numbers on illustrations for part identification.
- **Current Part** - identifies part as it is available for service.
- **Description** - specifies part name or description.
- **Replaced Part** - quantity quantity required for assembly.
- **Quantity** - defines unique characteristics or requirements.
- **Notes** - indicates Kits or Assemblies that contain a particular part.
- **Kits/Assy's Where Used**

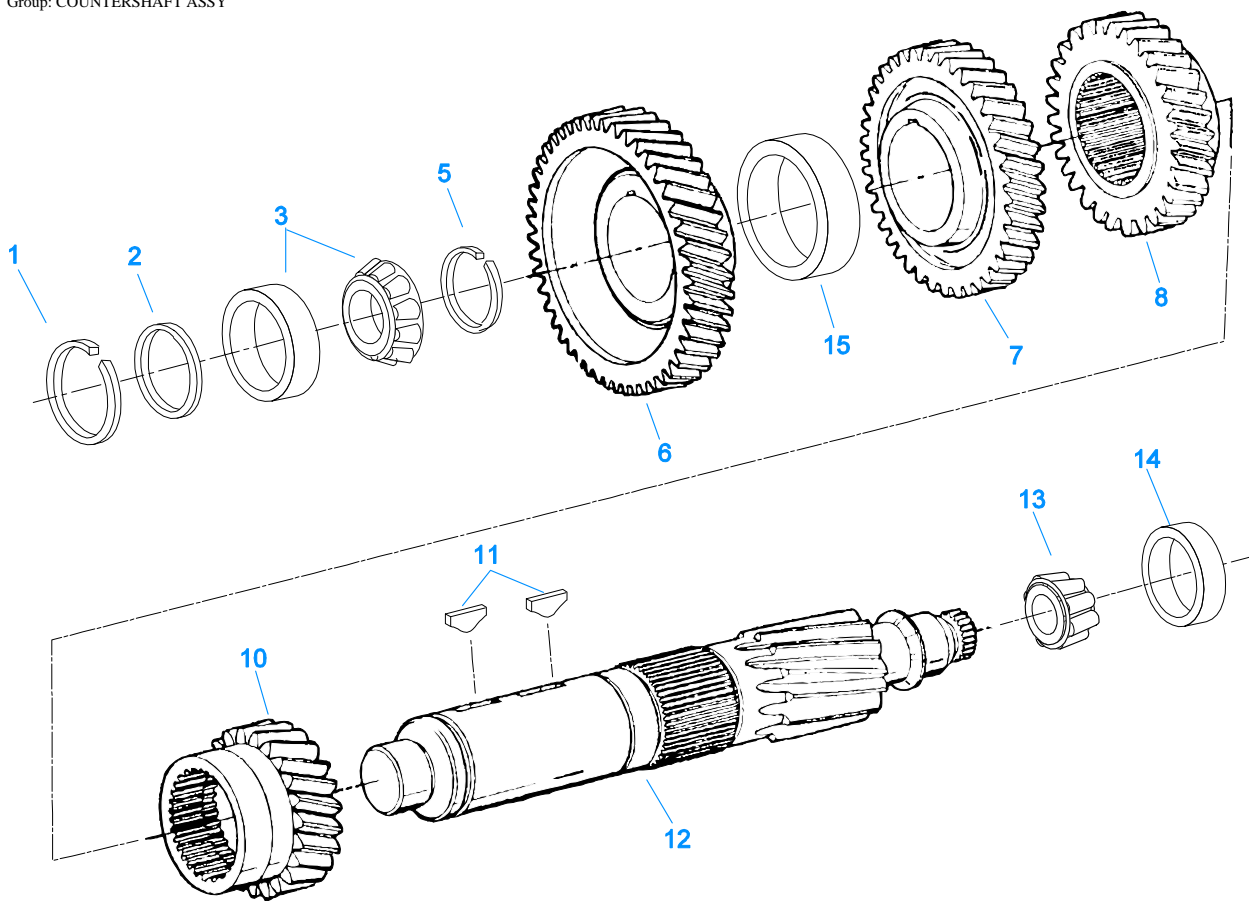


00182-8-93

**CASE**

Item	Current Part	Description	Replaced Part	Qty.	Notes	Kits/Assys Where Needed
1	A-5631	CLUTCH HSG ASSY	23723	1	#2 PULL-IRON, W/90 DEG FITTINGS	
1	A-5634	CLUTCH HSG ASSY	23726 ,3316236 ,3316237 ,A - 5632 ,A - 5771	1	#2 ALUMINUM, ABOVE CENTER LINE PULL TYPE	
1	A-6228	CLUTCH HSG ASSY	23723	1	#2 PULL-IRON, W/45 DEG FITTINGS	
1	A-7514	CLUTCH HSG ASSY	3316241	1	#2 ALUMINUM, PUSH TYPE (FORK)	
2	S-2952	CASE ASSY	3316276 ,4301285 ,4304643 ,4305177	1		
3	4300301	FITTING-45 DEGREE	11H15	2		
3	4872	FITTING-90 DEGREE	12H15	2		
4	201398	PTO COVER		2		
5	12815	BUSHING		4		A-5631,A-5634,A-6228
6	239613	CAPSCREW		12	3/8"-16X5/8"	
7	23380	COVER	206466	1		A-5631,A-5634,A-7514
8	3315679	PLUG		1		K-7035
9	X-3-400	LOCKWASHER	4E04	2	1/4"	
10	1C408	CAPSCREW		2	1/4"-20	
11	X-8-1011	CAPSCREW	1C1036	4	5/8"-11X2-1/4"	
12	X-3-1000	LOCKWASHER		4	5/8"	
15	3315659	GASKET		1		K-7028
16	3316171	FRONT BRG COVER-PULL		1	USE 4300121 OIL SEAL	
16	3316313	FRONT BRG COVER-PUSH		1	USE 4300798 OIL SEAL	
16	4300888	FRONT BRG COVER-PULL		1	USE 4300121 OR 4300204 OIL SEAL	
16	4301144	FRONT BRG COVER-PULL		1	USE 4300121 OIL SEAL	
16	4302356	FRONT BRG COVER-PULL		1	USE 4300121 OIL SEAL	
17	4300121	OIL SEAL	3315623	1	SHAFT 1.873, WIDTH .375, OD 2.68	K-7035

Item	Current Part	Description	Replaced Part	Qty.	Notes	Kits/Assys Where Needed
17	4300204	OIL SEAL	235394	1	SHAFT 1.873, WIDTH .375	
17	4300798	OIL SEAL	235393	1	SHAFT 1.625, WIDTH .375	
18	239614	SCREW		6	5/16-18X.81	
21	3315681	SHIM .004		1	QUANTITY AS REQUIRED	K-2183
21	3315682	SHIM .007		1	QUANTITY AS REQUIRED	K-2183
21	3315683	SHIM .010		1	QUANTITY AS REQUIRED	K-2183
21	3315684	SHIM .020		1	QUANTITY AS REQUIRED	K-2183
21	4300977	SHIM .040		1		
22	9G416H	SCREW		2	1/4"-20X1"	
23	X-12-1207	PIPE PLUG	X12 1202 X12 1206	1	3/4" MAGNETIC	
24	X-12-1210	PIPE PLUG	X12 1206	1		
25	4301607	C/S REAR BRG COVER	K-3430	1		
26	3315671	GASKET		1		
27	4301607	C/S REAR BRG COVER	K-3430	1		
28	4301607	C/S REAR BRG COVER		1		
30	3316160	SPEEDO ROTOR		1	16 TEETH	
30	3316283	SPEEDO DRIVE GEAR		1	6 TEETH	
30	5501508	NO LONGER AVAILABLE		1		
30	5501516	NO LONGER AVAILABLE		1		
30	86302	SPEEDO DRIVE GEAR		1	5 TEETH	
30	86307	SPEEDO DRIVE GEAR		1		
30	86313	NO LONGER AVAILABLE		1	6 TEETH	
31	711123	BEARING CUP		1		K-7035
32	3315662	SHIM .004		1	QUANTITY AS REQUIRED	K-2183
32	3315663	SHIM .007		1	QUANTITY AS REQUIRED	K-2183
32	3315664	SHIM .010		1	QUANTITY AS REQUIRED	K-2183
32	3315665	SHIM .020		1	QUANTITY AS REQUIRED	K-2183
32	4300978	SHIM .040		1		
33	21901	NO LONGER AVAILABLE		1	USE 4300119 OIL SEAL	
33	21947	REAR BRG COVER		1	USE 4300119 OIL SEAL	
33	22020	REAR BRG COVER		1	USE 4300119 OIL SEAL	
33	3316278	REAR BRG COVER		1	USE 4300119 OIL SEAL	
33	K-7044	REAR BRG COVER KIT	4302620	1	USE 4300119 OIL SEAL NOTE: PUSH- IN TYPE SPEEDO SENSOR	
33	K-7045	REAR BRG COVER KIT	4302621	1	USE 4300119 OIL SEAL NOTE: PUSH- IN TYPE SPEEDO SENSOR	
33	S-7036	REAR BRG COVER ASSY	21979 ,4302005	1	USE 4300119 OIL SEAL NOTE: SENSOR SEAL REQUIRED	
33	S-7037	REAR BRG COVER ASSY	3315657 ,4302029	1	USE 4300119 OIL SEAL NOTE: SENSOR SEAL REQUIRED	
34	4300119	OIL SEAL		1	SHAFT 2.753, WIDTH .5	K-7035
36	21937	NUT	216053 ,235656 ,238026	1	1-1/4"-18	
37	239436	WASHER		4	1/2"	
38	86D8	NUT	86D08	4	1/2"-20	
44	X-8C-604	CAPSCREW		4	3/8"-16X1-1/4"	
45	3316225	SLEEVE		1		
45	86147	SLEEVE		1		
47	14373	MAGNET		1		S-2952
49	239433	STUD		4	1/2"-20X2-5/16"	
50	X-12-405	PIPE PLUG		1		
51	4301954	SENSOR SEAL		1		S-7036,S-7037
52	238370	LIFTING EYE		1		
53	5501506	NO LONGER AVAILABLE		1		
53	5501507	NO LONGER AVAILABLE		1		
53	5501513	NO LONGER AVAILABLE		1		
53	86303	SPEEDO DRIVEN GEAR		1	15 TEETH	
53	86309	NO LONGER AVAILABLE		1	12 TEETH	
53	86315	NO LONGER AVAILABLE		1		

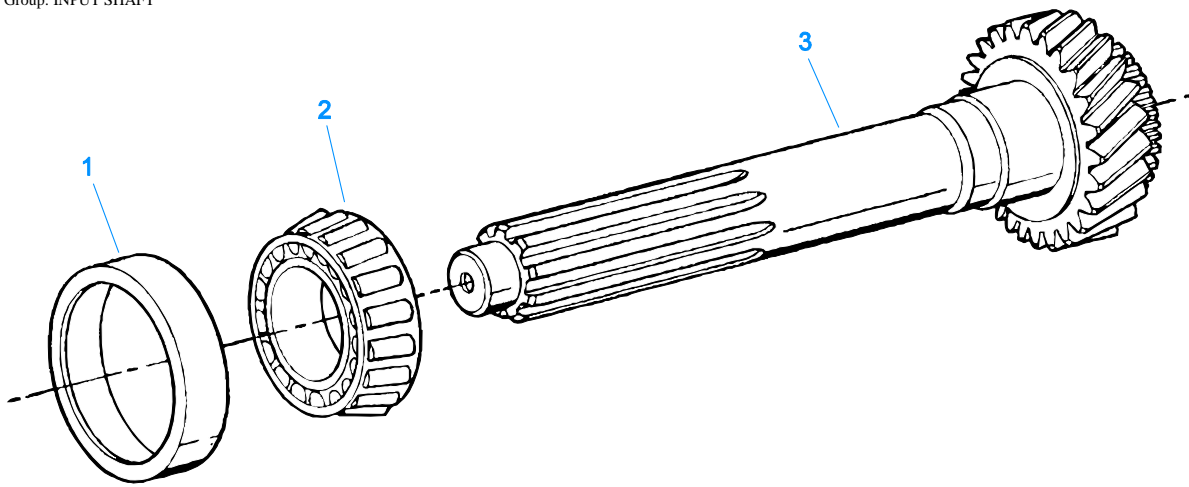


00302-8/93 CS 62

## COUNTERSHAFT ASSY

Item	Current Part	Description	Replaced Part	Qty.	Notes	Kits/Assys Where Needed
1	3315686	SNAP RING		1		K-7026,K-7035
2	3315687	WASHER		1		K-7026
3	K-3795	COUNTERSHAFT BRG KIT	1313645, 791943	1		
5	3315752	SNAP RING	3315751	1		
6	3316196	DRIVE GEAR-CNTRSHFT		1		
7	3316321	4TH GEAR-CNTRSHFT		1		
8	3316200	3RD GEAR-CNTRSHFT		1		
10	3316202	2ND GEAR-CNTRSHFT		1		
11	230292	KEY		2		K-7026
12	3316194	COUNTERSHAFT		1		
13	658981	BEARING CONE		1		K-7035
14	660181	BEARING CUP		1		K-7035
15	3316251	SPACER		1		

Group: INPUT SHAFT



00401-8/93 IS 62

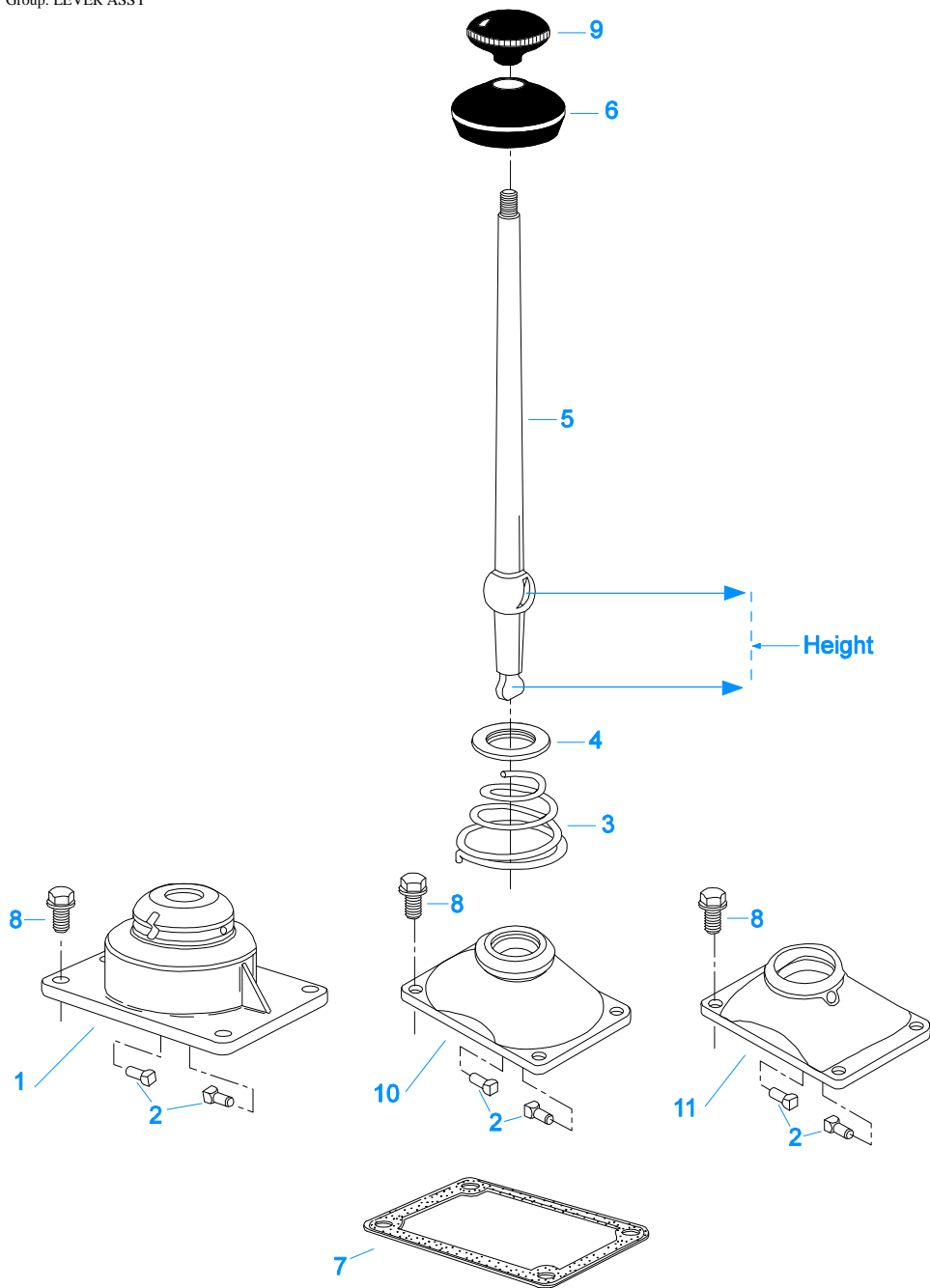
## INPUT SHAFT

Item	Current Part	Description	Replaced Part	Qty.	Notes	Kits/Assys Where Needed
1	675250	BEARING CUP		1	1.75" INPUT	K-7035
2	742259	BEARING CONE		1	1.75" INPUT	K-7035
3	4301748	INPUT SHAFT-1.75" PULL		1	USE 3316171 FRONT BRG COVER	
3	4301750	INPUT SHAFT-1.75" PULL		1	USE 4300888 OR 4301144 FRONT BRG COVER	

## KITS & ASSEMBLIES

Item	Current Part	Description	Replaced Part	Qty.	Notes	Kits/Assys Where Needed
K-2183		SHIM KIT		1		K-7035
K-2406		OIL SEAL KIT	20807 ,20808	1		
K-3421		SYNCHRONIZER KIT	K - 7004	1		
K-3795		COUNTERSHAFT BRG KIT	1313645, 791943	1		
K-7026		SMALL PARTS KIT		1		
K-7027		SYNCHRONIZER KIT		1		
K-7028		GASKET KIT		1		K-7035
K-7035		BASIC REBUILD KIT		1		
K-7036		SYNCHRONIZER KIT		1		
K-7044		REAR BRG COVER KIT	4302620	1		
K-7045		REAR BRG COVER KIT	4302621	1		
K-7061		SHIFT LEVER HSG KIT	241075 ,4302711 ,A - 6439	1	ALUMINUM HOUSING MEDIUM - LEVER HEIGHT 3-1/8"	
K-7062		SHIFT LEVER HSG KIT	233080 ,4302711 ,A - 6440	1	ALUMINUM HOUSING HIGH - LEVER HEIGHT 3-1/2"	
K-7069		REMOTE CONTROL KIT	A - 5403	1	LEVER HEIGHT 85MM (3.35")	
S-1578		SHIFT LEVER ASSY 3-1/2"		1	COMPLETE ASSY - ALUMINUM HOUSING HIGH - LEVER HEIGHT 3-1/2" 27-1/2" STRAIGHT LEVER - "BEND TO SUIT" 3/8" X 24 THREAD	
S-1827		SHIFT LEVER ASSY 3-1/8"	S-7079	1	COMPLETE ASSY - ALUMINUM HOUSING MEDIUM - LEVER HEIGHT 3-1/8" 27-1/2" STRAIGHT LEVER - "BEND TO SUIT" 3/8" X 24 THREAD	
S-2952		CASE ASSY	3316276 ,4301285 ,4304643 ,4305177	1		
S-7028		SHIFT BAR HSG ASSY	3315760	1	COMPLETE	
S-7036		REAR BRG COVER ASSY	21979 ,4302005	1		
S-7037		REAR BRG COVER ASSY	3315657 ,4302029	1		
S-7045		SHIFT LEVER ASSY 2-7/8"		1	COMPLETE ASSY - ALUMINUM HOUSING LOW - LEVER HEIGHT 2-7/8" 33" STRAIGHT LEVER - "BEND TO SUIT" 3/8" X 24 THREAD	



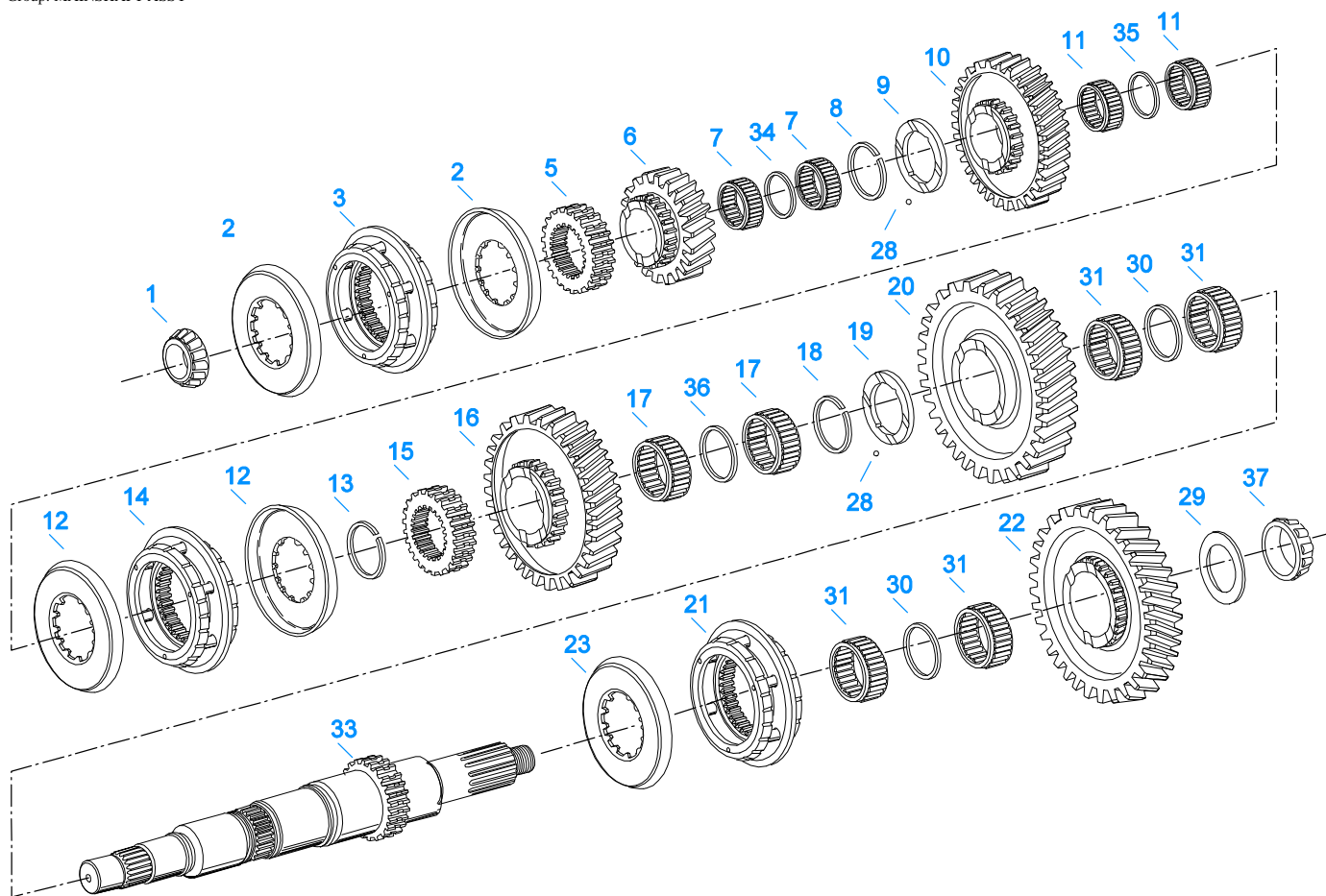


00171-3-94 LA

## LEVER ASSY

Item	Current Part	Description	Replaced Part	Qty.	Notes	Kits/Assys Where Needed
1	K-7062	SHIFT LEVER HSG KIT	233080 ,4302711 ,A - 6440	1	ALUMINUM HOUSING HIGH - LEVER HEIGHT 3-1/2"	
2	201054	PIN		2	FOR HSGS WITHOUT PIN SLEEVES	
2	23180	PIN		2	FOR HSGS WITH PIN SLEEVES	K-7061,K-7062,K-7065,S-1578,S-1827,S-7045
3	4300690	SPRING	229337	1		S-1578,S-1827,S-7045
4	23181	WASHER		1		S-1578,S-1827,S-7045
5	21722	SHIFT LEVER 27-1/2"		1	USE WITH K-7062 STRAIGHT LEVER - "BEND TO SUIT"	S-1578
5	228648	GEAR SHIFT LEVER		1	USE WITH 233080 STRAIGHT LEVER - "BEND TO SUIT"	

Item	Current Part	Description	Replaced Part	Qty.	Notes	Kits/Assys Where Needed
5	241076	SHIFT LEVER 27-1/2"		1	USE WITH K-7061 STRAIGHT LEVER - "BEND TO SUIT"	S-1827
5	4302823	SHIFT LEVER 33"		1	USE WITH A-6448 STRAIGHT LEVER - "BEND TO SUIT"	S-7045
6	202484	DUST COVER		1		S-1578,S-1827,S-7045
7	4301958	GASKET		1		K-7028,K-7061,K-7062,K-7065,K-7069,S-1578,S-1827,S-7045
8	X-8C-604	CAPSCREW		4	3/8"-16X1-1/4"	
9	201401	SHIFT KNOB		1	3/8"X24 THREAD	S-1578,S-7045
10	K-7061	SHIFT LEVER HSG KIT	241075 ,4302711 ,A - 6439	1	ALUMINUM HOUSING MEDIUM - LEVER HEIGHT 3-1/8"	
11	K-7065	SHIFT LEVER HSG KIT	4302704 ,4302711 ,A - 6448	1	ALUMINUM HOUSING LOW - LEVER HEIGHT 2-7/8"	



00203-8/93 MS 63

## MAINSHAFT ASSY

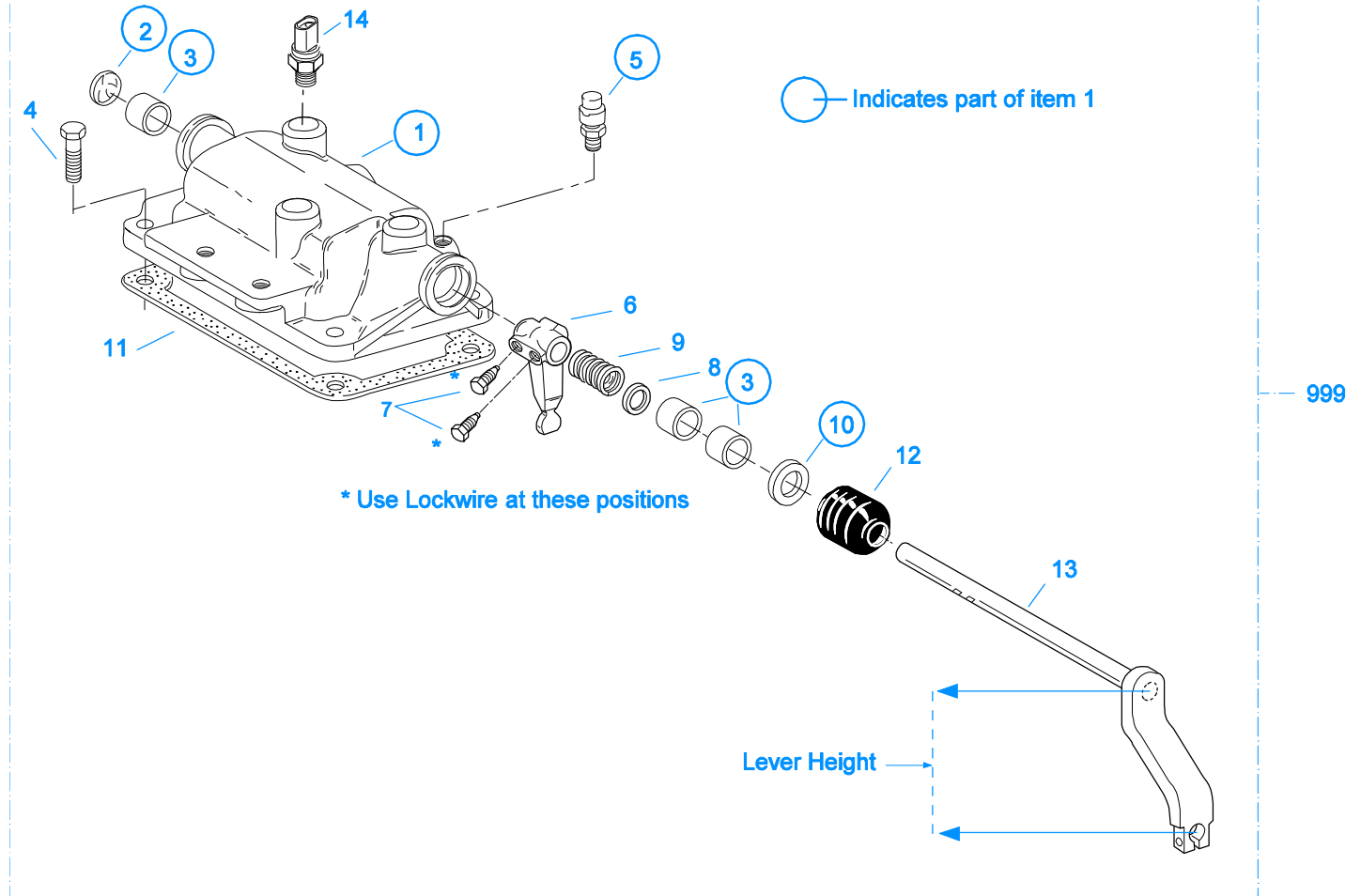
Item	Current Part	Description	Replaced Part	Qty.	Notes	Kits/Assys Where Needed
1	710787	BEARING CONE		1		K-7035
2	4301467	SYNCHRONIZER CUP		2		K-3421
3	A-6608	SYNCHRONIZER ASSY 4/5	A - 6137	1		K-3421
5	4301766	CLUTCH HUB 4/5		1		
6	4301760	4TH GEAR-MAINSHAFT		1		
7	3315737	BEARING		2		K-7035
8	3315728	SNAP RING	3315729	1		K-7026
9	3315727	WASHER		1		K-7026
10	4301761	3RD GEAR-MAINSHAFT		1		
11	4124075	BEARING		2		K-7035
12	4301466	SYNCHRONIZER CUP		2		K-7027
13	3315725	SNAP RING		1		K-7026,K-7035
14	A-6136	SYNCHRONIZER ASSY 2/3	4301457 ,4304050 ,4304452	1		
15	4301765	CLUTCH HUB 2/3		1		
16	4301762	2ND GEAR-MAINSHAFT		1		
17	3315722	BEARING		2		K-7035
18	3315717	SNAP RING	3315718	1		K-7026
19	3315719	WASHER		1		K-7026
20	4301763	1ST GEAR-MAINSHAFT		1		
21	A-6154	SYNCHRONIZER ASSY 1/REV		1		K-7036
22	4301764	REVERSE GEAR- MAINSHAFT		1		
23	4301465	SYNCHRONIZER CUP		1		K-7036

Item	Current Part	Description	Replaced Part	Qty.	Notes	Kits/Assys Where Needed
28	10J06	STEEL BALL		2	3/16"	K-7026
29	3315704	WASHER		1		K-7026
30	21738	SPACER		2		
31	3315703	BEARING		4		K-7035
33	4301758	MAINSHAFT		1		
34	21741	SPACER		1		
35	21740	SPACER		1		
36	21739	SPACER		1		
37	5557003	BEARING CONE		1		K-7035

## MISCELLANEOUS

Item	Current Part	Description	Replaced Part	Qty.	Notes	Kits/Assys Where Needed
71203		SILICONE LUBE		1	8 OZ (236.59 CC)-FLEET SIZE	
71204		ADHESIVE SEALANT		1	0.5 CC (SINGLE APPLICATION SIZE)	
71205		SEALANT		1	2 CC (SINGLE APPLICATION SIZE)	
71206		SILICONE LUBE		1	4 CC (SINGLE APPLICATION SIZE)	
71231		GASKET SEALANT		1	8 MILLILITER SIZE	K-2183
71232		THREAD ADHESIVE		1	10 MILLILITER SIZE	

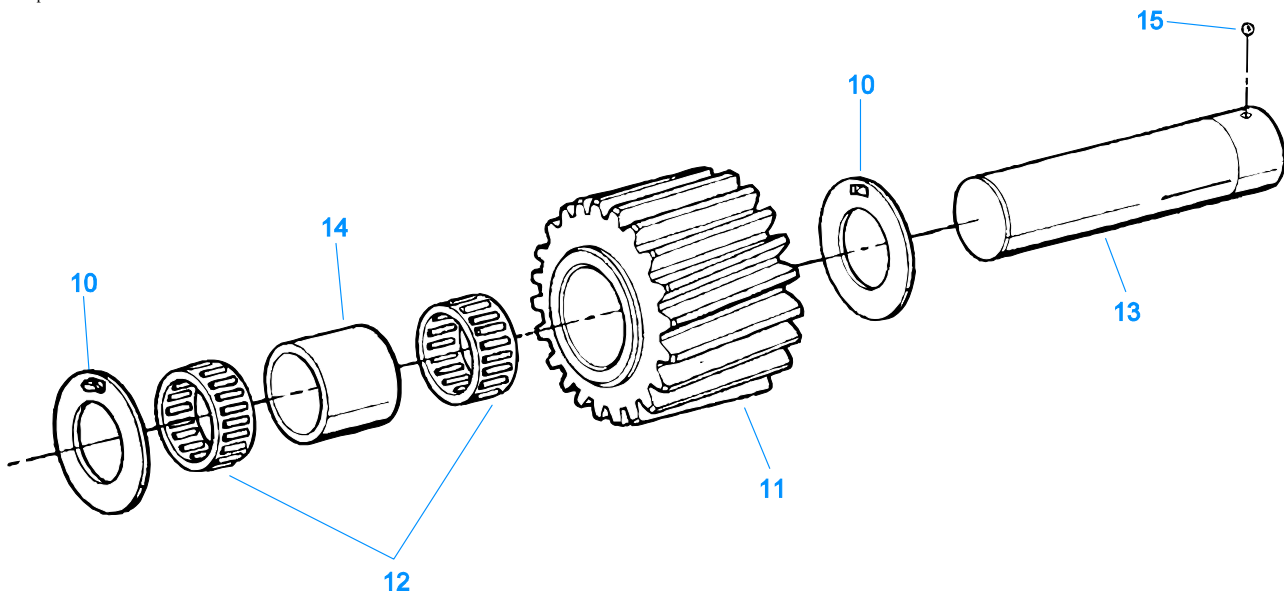
Group: REMOTE CONTROL



00151-2-94 RCH

## REMOTE CONTROL

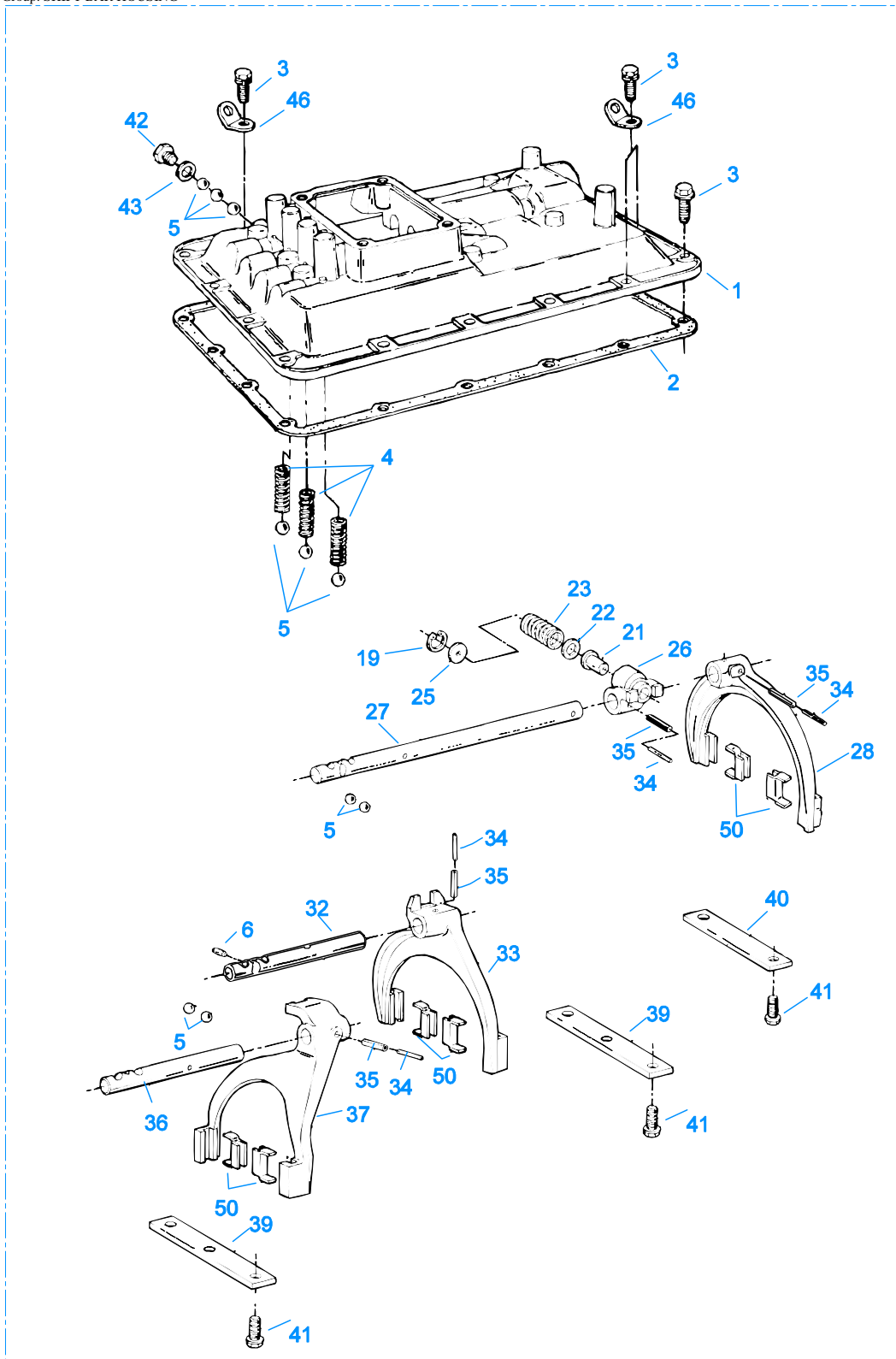
Item	Current Part	Description	Replaced Part	Qty.	Notes	Kits/Assys Where Needed
1	3316308	CONTROL HOUSING ASSY	22115 3316309	1		A-6229
2	12F100	PLUG 1"		1		
3	3312252	BUSHING		3		
4	X-8C-604	CAPSCREW		4	3/8"-16X1-1/4"	
5	3315948	BREATHER		1		
6	3316290	SHIFT FINGER		1		A-6229
7	3315272	SCREW		2		A-6229
8	3312745	WASHER		1		A-6229
9	3315837	SPRING		1		A-6229
10	3312225	OIL SEAL		1		
11	4301958	GASKET		1		
12	3314302	BOOT		1		K-7028,K-7061,K-7062,K-7065,K-7069,S-1578,S-1827,S-7045
13	A-5312	SHAFT & LEVER ASSY		1	LEVER HEIGHT 85MM (3.35")	A-6229
13	A-6230	NO LONGER AVAILABLE		1	LEVER HEIGHT 3.0"	A-6229
999	A-6229	NO LONGER AVAILABLE		1	LEVER HEIGHT 3.0"	
999	K-7069	REMOTE CONTROL KIT	A - 5403	1	LEVER HEIGHT 85MM (3.35")	



00452-8/93 RI 62

### REVERSE IDLER GEAR ASSY

Item	Current Part	Description	Replaced Part	Qty.	Notes	Kits/Assys Where Needed
10	3315673	WASHER		2		K-7026
11	4305252	REVERSE IDLER GEAR	3316163	1		
12	3315674	BEARING		2		K-7035
13	3315672	REVERSE IDLER SHAFT		1		
14	3315676	SPACER		1		
15	10J06	STEEL BALL		1	3/16"	K-7026



999

00102-8/93 SBH 62

**SHIFT BAR HOUSING**

Item	Current Part	Description	Replaced Part	Qty.	Notes	Kits/Assys Where Needed
1	A-6744	SHIFT BAR HSG ASSY	3315760 ,4302947	1		



Item	Current Part	Description	Replaced Part	Qty.	Notes	Kits/Assys Where Needed
			,4303606 ,A - 6536 ,A - 6537			
2	4300854	GASKET	3315678	1		K-7028,S-7028
3	X-8C-600	CAPSCREW	239611	17	3/8"-16X1"	
4	3315765	SPRING		3		K-7035
5	10J14	STEEL BALL		10	7/16"	K-7026
6	201044	PIN		1		
19	21736	SNAP RING		1		
21	3316296	PLUNGER		1		
22	3316298	WASHER		1		
23	21723	SPRING		1		
25	3316295	WASHER		1		
26	21765	SHIFT BLOCK 1ST/REV		1		
27	4301796	YOKE BAR 1ST/REV		1		
28	A-6234	YOKE ASSY 1ST/REV	4301905	1		
32	4301471	YOKE BAR 2ND/3RD		1		
33	3316207	YOKE ASSY 2ND/3RD	3316208	1		
34	1JM6028	PIN		4		
35	1JM3528	PIN		4		
36	4301472	YOKE BAR 4TH/5TH		1		
37	3316210	YOKE ASSY 4TH/5TH	3316211	1		
39	4301279	SHIFT BAR RETAINER	3315756	2		
40	3315757	SHIFT BAR RETAINER		1		
41	233043	CAPSCREW		8	3/8"-16X1"	
42	235052	CA PLUG		1	9/16 - 18	
42	4303656	PLUG	15917	1	9/16 - 18, THREADED	
43	15900	GASKET		1		K-7028,S-7028
46	238370	LIFTING EYE		2		
50	227675	INSERT - YOKE PAD		6		A-6234,K-7026
999	S-7028	SHIFT BAR HSG ASSY	3315760	1	COMPLETE	

