



Roadranger®

More time on the road®

Illustrated Parts List

FS-8206A
July 2011

Contents

How To Use The Illustrated Parts List	3
CASE.....	4
COUNTERSHAFT ASSY	6
INPUT SHAFT.....	7
KITS & ASSEMBLIES	8
LEVER ASSY	9
MAINSHAFT ASSY.....	12
MISCELLANEOUS	14
REVERSE IDLER GEAR ASSY	15
SHIFT BAR HOUSING	16

How To Use The Illustrated Parts List

The information contained in this document is subject to frequent updates. Therefore, for the latest information available, please visit the interactive Electronic Parts Catalog at www.roadranger.com/epc.

Model Designation or Nomenclature

- For information regarding Model Designation and Nomenclature, visit www.roadranger.com.

Kits and Assemblies (K/A's)

- Kits and Assemblies contain groups of individual or assembled parts developed for optimal replacement or repair of a service problem.
- Kits and Assemblies are shown with applicable parts groupings in the parts listings.

Identifying Kits and Assemblies

A- Part numbers beginning with the letter 'A' are pre-assembled Production Assemblies

K- Part numbers beginning with the letter 'K' are kits that are not assembled

S- Part numbers beginning with the letter 'S' are pre-assembled Service Assemblies

- Note: Some Production Assemblies do not begin with a letter prefix (Midrange only).

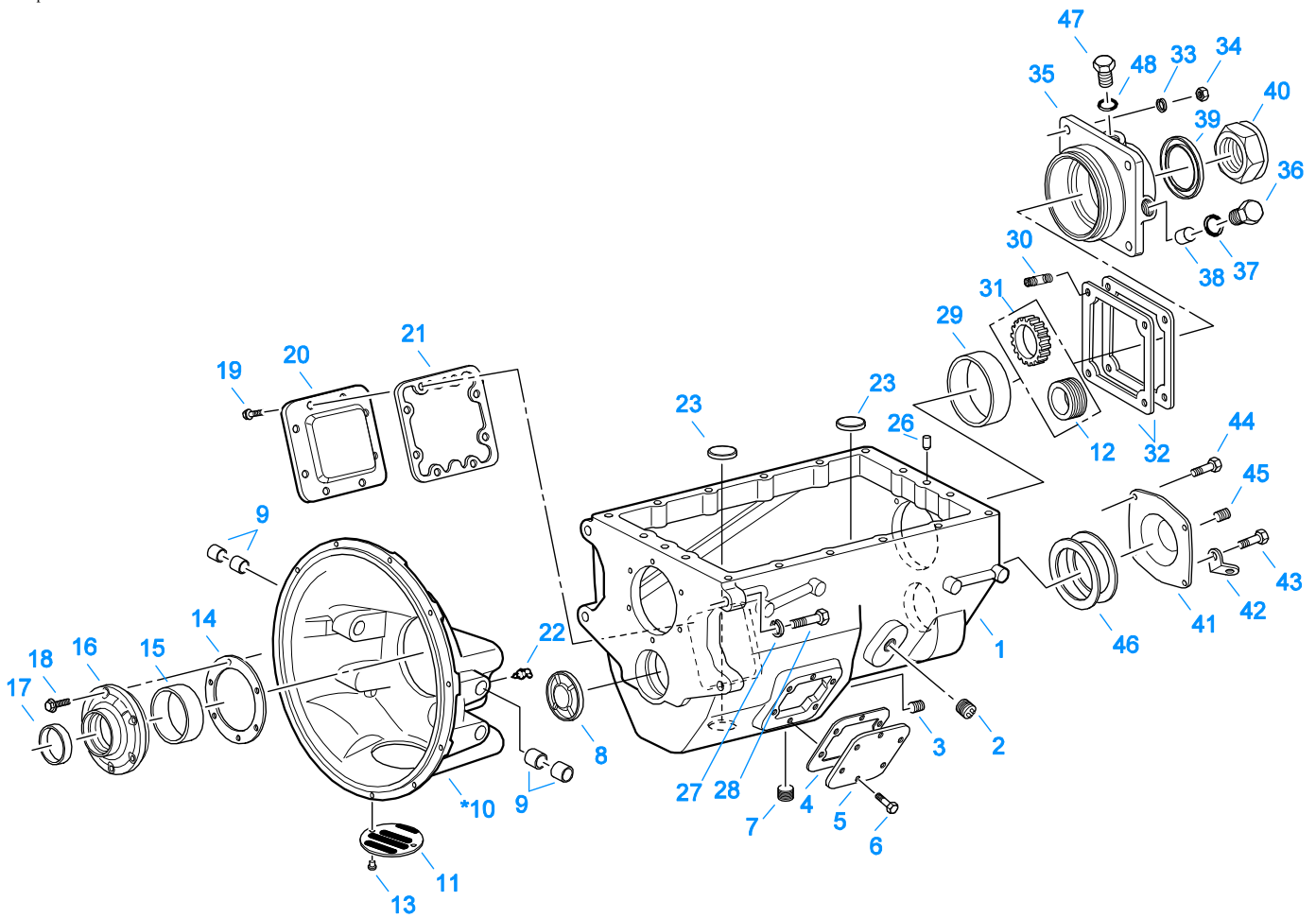
Illustrations

- Illustrations show parts in assembly groups.
- Item numbers on illustrations correspond with parts listings on pages adjacent to the illustration.
- Notes are included on illustrations where additional information is needed.

Parts Listing

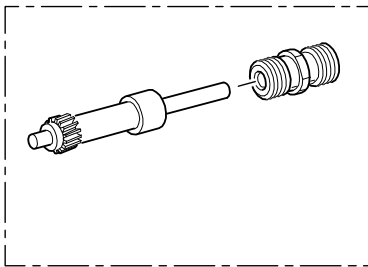
Parts listings are defined by parts groupings and are broken down by service assemblies. Parts listings identify a part for servicing with the following categories

- **Item Number** - corresponding with numbers on illustrations for part identification.
- **Current Part** - identifies part as it is available for service.
- **Description** - specifies part name or description.
- **Replaced Part** - quantity quantity required for assembly.
- **Quantity** - defines unique characteristics or requirements.
- **Notes** - indicates Kits or Assemblies that contain a particular part.
- **Kits/Assy's Where Used**

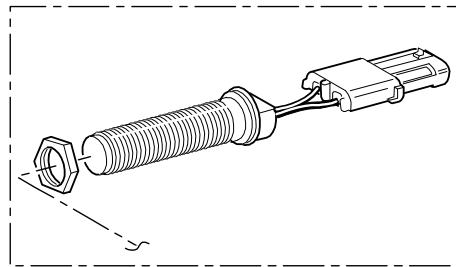


Rear Bearing Cover Options

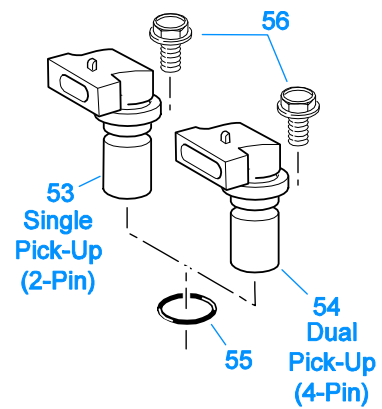
Mechanical



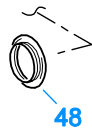
Magnetic "Threaded"



Magnetic "Push In"



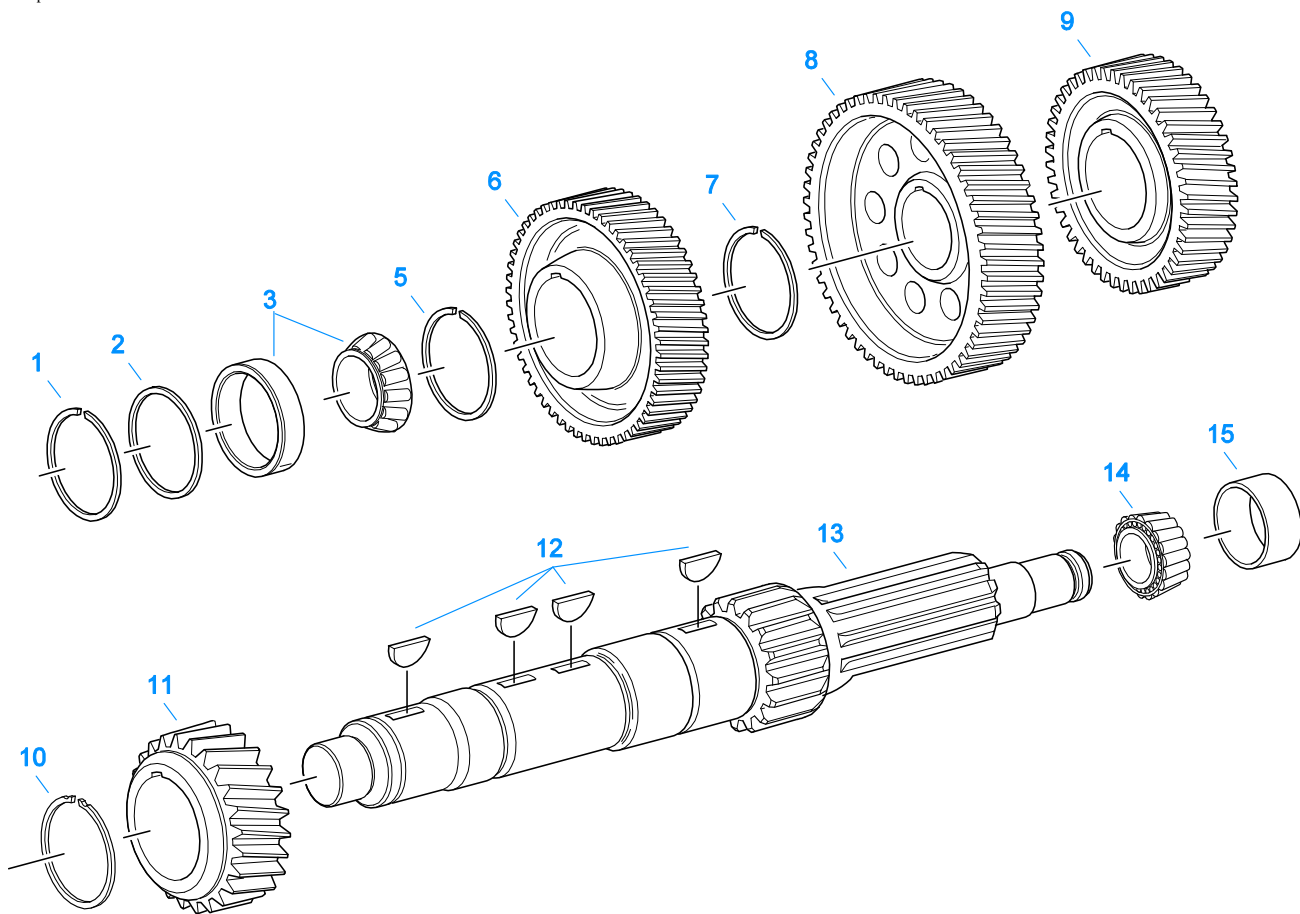
00183-8-97



CASE

Item	Current Part	Description	Replaced Part	Qty.	Notes	Kits/Assys Where Needed
1	S-1878	CASE ASSY	4300572	1		
2	X-12-2007	PIPE PLUG	X12 2006	1		
3	X-12-802	PIPE PLUG	X12 800	1	1/2"	
4	4305309	GASKET	1684	1		K-2465
5	14575	PTO COVER	4302254	1		
6	X-8-686	CAPSCREW		6	3/8"-16X3/4"	

Item	Current Part	Description	Replaced Part	Qty.	Notes	Kits/Assys Where Needed
7	X-12-1207	PIPE PLUG	X12 1202 ,X12 1206	1	3/4" MAGNETIC	
8	3315679	PLUG		1		K-2490
9	12815	BUSHING		4		A-5634
10	A-5634	CLUTCH HSG ASSY	23726 ,3316236 .3316237 ,A - 5632 ,A - 5771	1	#2 ALUMINUM, ABOVE CENTER LINE PULL TYPE	
11	23380	COVER	206466	1		A-5634
12	86312	NO LONGER AVAILABLE		1		
13	X-8L-408	SCREW & WASHER ASSY		2		
14	3315659	GASKET		1		K-2465
15	675250	BEARING CUP		1	1.75" INPUT	K-2490
16	4300888	FRONT BRG COVER-PULL		1		
17	22329	OIL SEAL		1	SHAFT 2, WIDTH .375	K-2490
18	239614	SCREW		6	5/16-18X.81	
19	X-8-725	CAPSCREW	X 8 724	8	7/16"-14X7/8"	
20	4302809	PTO COVER	16596 ,4300571	1		
21	4305310	GASKET	4302810	1		K-2465
22	4300301	FITTING-45 DEGREE	11H15	2		
23	14373	MAGNET		2		S-1878
26	20719	DOWEL PIN		1		S-1878
27	X-3-1000	LOCKWASHER		4	5/8"	
28	X-8-1011	CAPSCREW	1C1036	4	5/8"-11X2-1/4"	
29	675250	BEARING CUP		1	1.75" INPUT	K-2490
30	239433	STUD		4	1/2"-20X2-5/16"	
31	4300675	SPEEDO ROTOR		1	16 TEETH	
31	4301984	SPEEDO ROTOR		1	6 TEETH	
32	3315662	SHIM .004		1	QUANTITY AS REQUIRED	K-2183
32	3315663	SHIM .007		1	QUANTITY AS REQUIRED	K-2183
32	3315664	SHIM .010		1	QUANTITY AS REQUIRED	K-2183
32	3315665	SHIM .020		1	QUANTITY AS REQUIRED	K-2183
32	4300978	SHIM .040		1		
33	239436	WASHER		4	1/2"	
34	86D8	NUT	86D08	4	1/2"-20	
35	K-7048	REAR BRG COVER KIT	4302624	1	USE 20807 OIL SEAL NOTE: PUSH- IN TYPE SPEEDO SENSOR	
35	S-7043	REAR BRG COVER ASSY	22758 ,4302019	1	USE 20807 OIL SEAL NOTE: SENSOR SEAL REQUIRED	
35	S-7044	REAR BRG COVER ASSY	4302352	1	USE 20807 OIL SEAL NOTE: SENSOR SEAL REQUIRED	
36	20226	PLUG-MECHANICAL	2237	1		S-7043
37	14142	-O- RING		1		K-7048,S-7043
38	7992	BUSHING		1		S-7043
39	K-2406	OIL SEAL KIT	20807 ,20808	1		
40	12128	NUT		1		
41	4301605	REAR BEARING COVER		1		S-1878
42	4300363	LIFTING EYE		1		
43	X-8C-830	HEX HEAD SCREW/WASHER ASSY	X-8C-826	1	.500-13 X 1.490	
44	X-8L-808	CAPSCREW		3	1/2"-13X1-1/4"	
45	X-12-405	PIPE PLUG		1		
46	3315681	SHIM .004		1	QUANTITY AS REQUIRED	K-2183
46	3315682	SHIM .007		1	QUANTITY AS REQUIRED	K-2183
46	3315683	SHIM .010		1	QUANTITY AS REQUIRED	K-2183
46	3315684	SHIM .020		1	QUANTITY AS REQUIRED	K-2183
47	20224	PLUG-MAGNETIC		1		S-7043
48	4301954	SENSOR SEAL		1		S-7043,S-7044
53	K-3454	SPEED SENSOR KIT	A - 6398 ,A - 6724	1	SINGLE PICK-UP (2 PIN)	
54	K-3455	SPEED SENSOR KIT, DUAL	A - 7046 ,A - 7518	1	DUAL PICK-UP (4 PIN)	
55	14142	-O- RING		1		K-7048,S-7043
56	X-8C-409	CAPSCREW		1	1/4"-20X5/8" (RETAINER FOR SENSOR)	

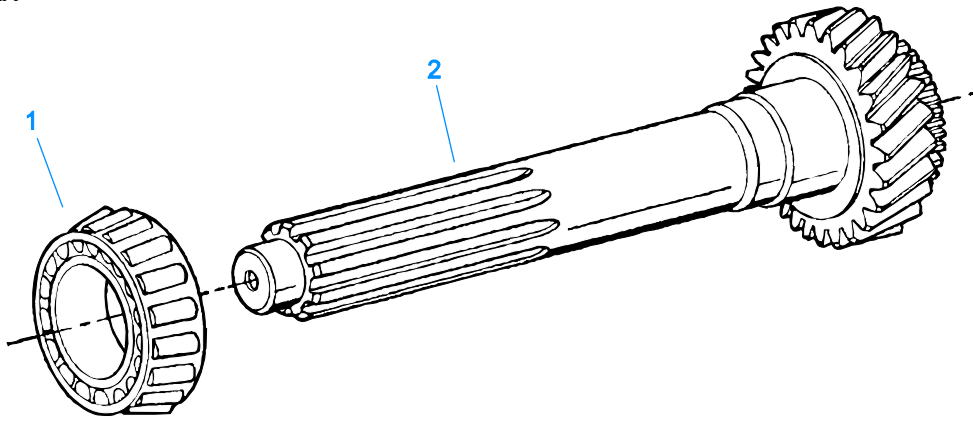


00304-8-97 82

COUNTERSHAFT ASSY

Item	Current Part	Description	Replaced Part	Qty.	Notes	Kits/Assys Where Needed
1	3315686	SNAP RING		1		K-2467,K-2490
2	3315687	WASHER		1		K-2467
3	K-3795	COUNTERSHAFT BRG KIT	1313645, 791943	1		
5	17399	SNAP RING		1		K-2467,K-2490
6	23378	DRIVE GEAR-COUNTERSHAFT	23047	1		
7	22328	SNAP RING		1		K-2467,K-2490
8	22304	5TH GEAR-COUNTERSHAFT		1		
9	23375	4TH GEAR-COUNTERSHAFT	22306	1		
10	22360	SNAP RING		1		K-2467,K-2490
11	23373	3RD GEAR-COUNTERSHAFT	23049	1		
12	X-6-E	KEY		4		
13	23371	COUNTERSHAFT	23051	1		
14	658981	BEARING CONE		1		K-2490
15	660181	BEARING CUP		1		K-2490

Group: INPUT SHAFT



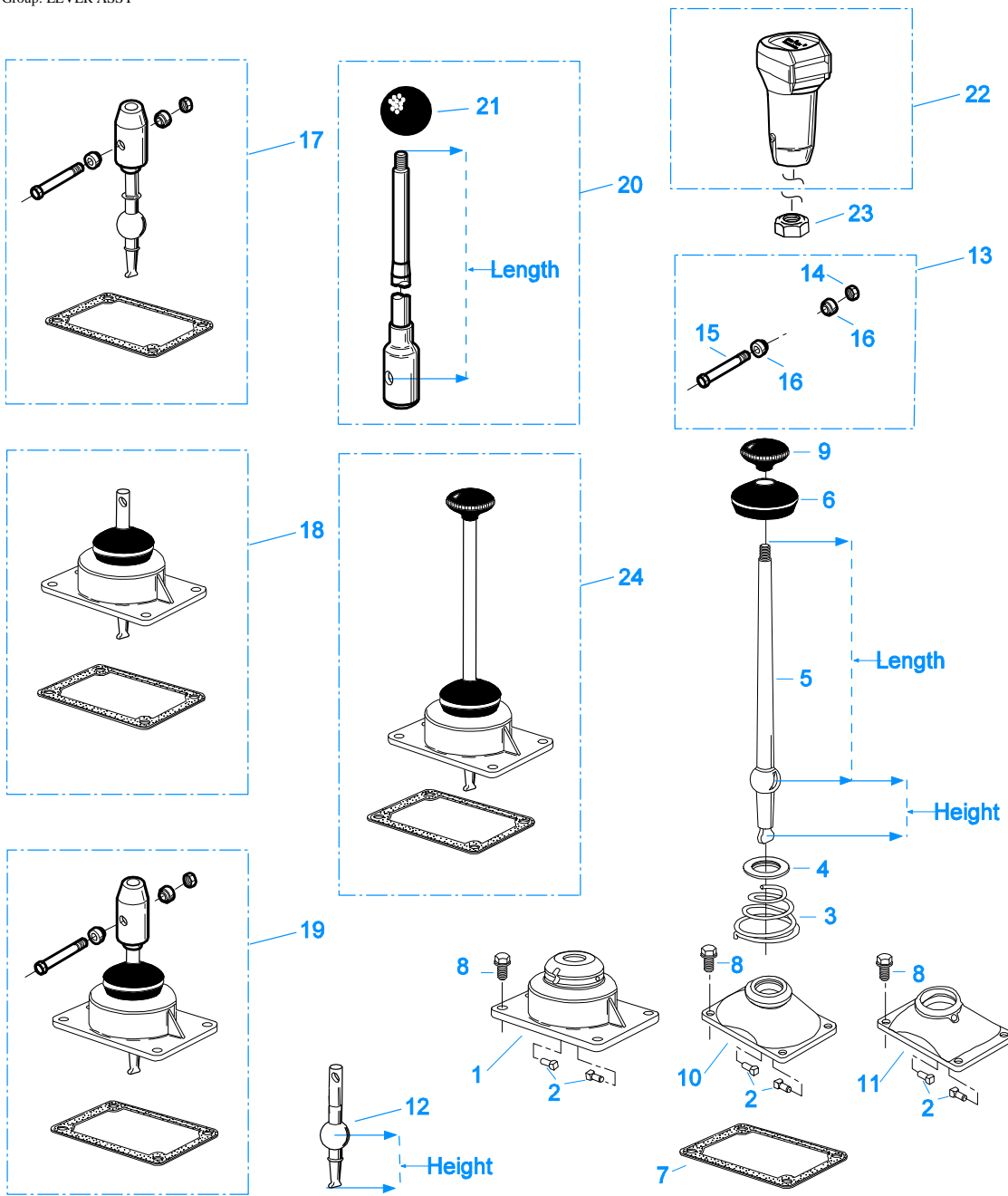
00402-8-97 82

INPUT SHAFT

Item	Current Part	Description	Replaced Part	Qty.	Notes	Kits/Assys Where Needed
1	742259	BEARING CONE		1	1.75" INPUT	K-2490
2	23376	INPUT SHAFT	23046	1	1.75" PUSH/PULL, .9837 PILOT	
2	23377	INPUT SHAFT	23043	1	1.75" PUSH/PULL, 1.1805 PILOT	

KITS & ASSEMBLIES

Item	Current Part	Description	Replaced Part	Qty.	Notes	Kits/Assys Where Needed
K-2003		PIN & BUSHING KIT		1		
K-2183		SHIM KIT		1		K-2490
K-2406		OIL SEAL KIT	20807 ,20808	1		
K-2465		GASKET KIT		1		K-2490
K-2467		SMALL PARTS KIT		1		
K-2470		SYNCHRONIZER KIT		1	3RD-4TH	
K-2471		SYNCHRONIZER KIT		1	5TH-6TH	
K-2490		BASIC REBUILD KIT		1		
K-3795		COUNTERSHAFT BRG KIT	1313645, 791943	1		
K-7048		REAR BRG COVER KIT	4302624	1		
S-1576		SHIFT BAR HOUSING	21956	1	HOUSING ONLY	
S-1878		CASE ASSY	4300572	1		
S-2528		SHIFT BAR HSG ASSY	21956	1	COMPLETE	
S-7043		REAR BRG COVER ASSY	22758 ,4302019	1		
S-7044		REAR BRG COVER ASSY	4302352	1		



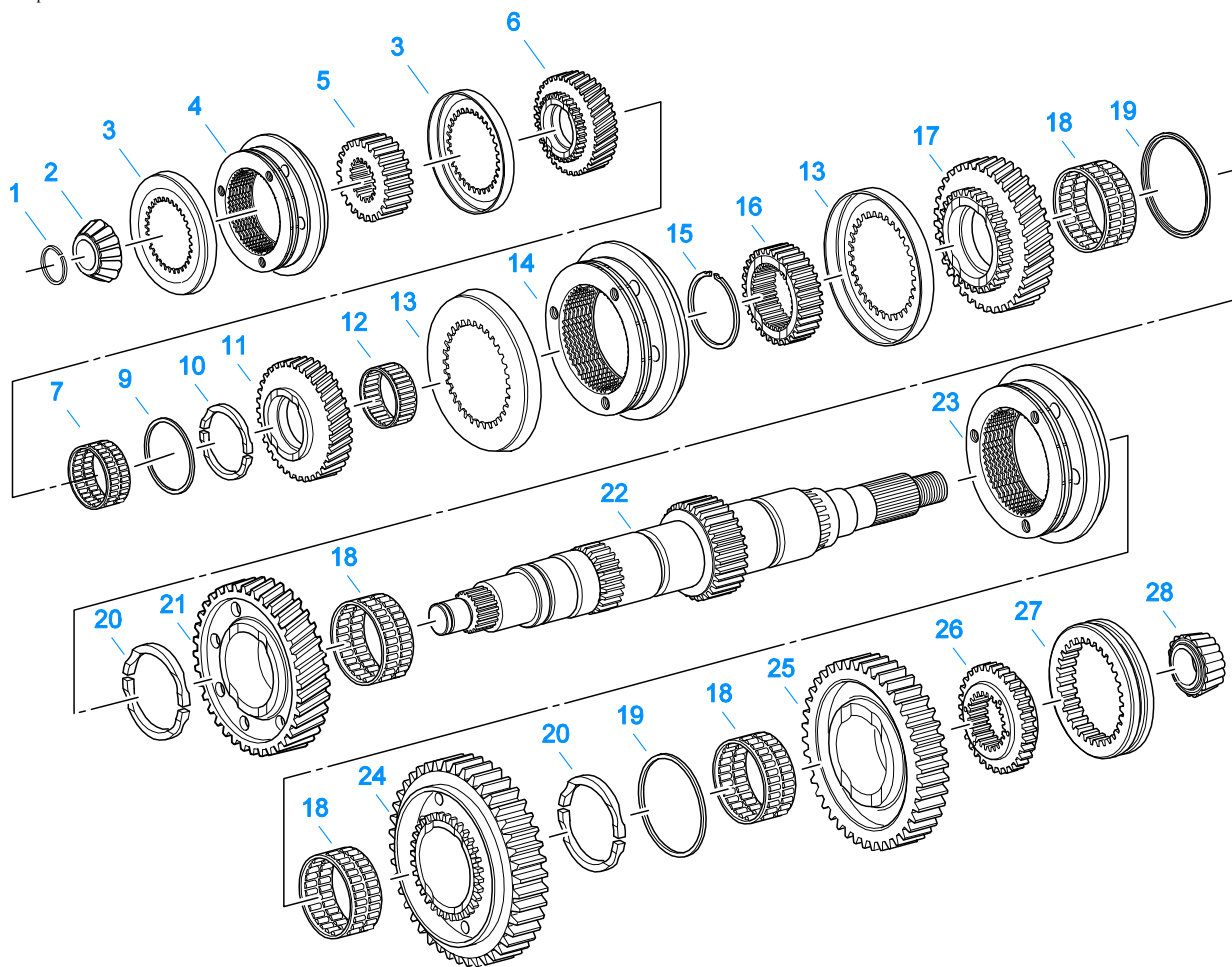
00173-4-95 LA

LEVER ASSY

Item	Current Part	Description	Replaced Part	Qty.	Notes	Kits/Assys Where Needed
1	K-7062	SHIFT LEVER HSG KIT	233080,4302711 ,A - 6440	1	ALUMINUM HOUSING HIGH - LEVER HEIGHT 3-1/2"	
2	201054	PIN		2	FOR HSGS WITHOUT PIN SLEEVES	
2	23180	PIN		2	FOR HSGS WITH PIN SLEEVES	K-7056,K-7061,K-7062,K-7065,S-1578,S-1697,S-1821,S-1827,S-7015,S-7045,S-7063,S-7064,S-7065,S-7090
3	4300690	SPRING	229337	1		S-1578,S-1697,S-1821,S-1827,S-7015,S-7045,S-7063,S-7064,S-7065,S-7090

Item	Current Part	Description	Replaced Part	Qty.	Notes	Kits/Assys Where Needed
3	4301936	SPRING		1	USE W/CAST IRON SHIFT LEVER HOUSING	
4	23181	WASHER		1		S-1578,S-1697,S-1821,S-1827,S-7015,S-7045,S-7063,S-7064,S-7065,S-7090
5	21722	SHIFT LEVER 27-1/2"		1	USE WITH HIGH TOWER 27-1/2" STRAIGHT LEVER - "BEND TO SUIT" 3/8" X 24 THREAD	S-1578
5	22138	SHIFT LEVER 33"		1	USE WITH HIGH TOWER 33" STRAIGHT LEVER - "BEND TO SUIT" 3/8" X 24 THREAD	S-7090
5	22139	SHIFT LEVER 31-1/2"		1	USE WITH MEDIUM TOWER 31-1/2" STRAIGHT LEVER - "BEND TO SUIT" 3/8" X 24 THREAD	
5	241076	SHIFT LEVER 27-1/2"		1	USE WITH MEDIUM TOWER 27-1/2" STRAIGHT LEVER - "BEND TO SUIT" 3/8" X 24 THREAD	S-1827
5	4302823	SHIFT LEVER 33"		1	USE WITH LOW TOWER 33" STRAIGHT LEVER - "BEND TO SUIT" 3/8" X 24 THREAD	S-7045
6	202484	DUST COVER		1		S-1578,S-1697,S-1821,S-1827,S-7015,S-7045,S-7063,S-7064,S-7065,S-7090
7	4301958	GASKET		1		K-2465,K-7056,K-7057,K-7058,K-7059,K-7061,K-7062,K-7065,S-1578,S-1697,S-1821,S-1827,S-7015,S-7045,S-7063,S-7064,S-7065,S-7090
8	X-8C-604	CAPSCREW		4	3/8"-16X1-1/4"	
9	201401	SHIFT KNOB		1	3/8"X24 THREAD	S-1578,S-7045,S-7090
10	K-7061	SHIFT LEVER HSG KIT	241075 ,4302711 ,A - 6439	1	ALUMINUM HOUSING MEDIUM - LEVER HEIGHT 3-1/8"	
11	K-7056	SHIFT LEVER HSG KIT	4302654	1	CAST IRON HOUSING LOW - LEVER HEIGHT 2-7/8"	
11	K-7065	SHIFT LEVER HSG KIT	4302704 ,4302711 ,A - 6448	1	ALUMINUM HOUSING LOW - LEVER HEIGHT 2-7/8"	
12	22383	STUB, SHIFT LEVER 3-1/8"		1	MEDIUM - LEVER HEIGHT 3-1/8"	K-7058,S-1821,S-7063
12	22384	STUB, SHIFT LEVER 3-1/2"		1	HIGH - LEVER HEIGHT 3-1/2"	K-7057,S-1697,S-7065
12	4301937	STUB, SHIFT LEVER 2-7/8"		1	LOW - LEVER HEIGHT 2-7/8"	K-7059,S-7015,S-7064
13	K-2003	PIN & BUSHING KIT		1		
14	X-9-503	NUT		1		
15	X-8-560	SCREW		1		
16	21246	BUSHING		2		K-2003,K-7057,K-7058,K-7059,S-7063,S-7064,S-7065
17	K-7057	SERVICE LEVER KIT 3-1/2"		1	HIGH - LEVER HEIGHT 3-1/2" NOTE: REQUIRES EXISTING LEVER TO BE CUT AND WELDED (INSTRUCTIONS INCLUDED)	
17	K-7058	SERVICE LEVER KIT 3-1/8"		1	MEDIUM - LEVER HEIGHT 3-1/8" NOTE: REQUIRES EXISTING LEVER TO BE CUT AND WELDED (INSTRUCTIONS INCLUDED)	
17	K-7059	SERVICE LEVER KIT 2-7/8"		1	LOW - LEVER HEIGHT 2-7/8" NOTE: REQUIRES EXISTING LEVER TO BE CUT AND WELDED (INSTRUCTIONS INCLUDED)	
18	S-1697	ISOLATOR LVR ASSY 3-1/2"		1	HIGH - LEVER HEIGHT 3-1/2"	
18	S-1821	ISOLATOR LVR ASSY 3-1/8"		1	MEDIUM - LEVER HEIGHT 3-1/8"	
18	S-7015	ISOLATOR LVR ASSY 2-7/8"		1	LOW - LEVER HEIGHT 2-7/8"	
19	S-7063	SERVICE LVR ASSY 3-1/8"		1	MEDIUM - LEVER HEIGHT 3-1/8" NOTE: REQUIRES EXISTING LEVER TO BE CUT AND WELDED (INSTRUCTIONS INCLUDED)	
19	S-7064	SERVICE LVR ASSY 2-7/8"		1	LOW - LEVER HEIGHT 2-7/8" NOTE: REQUIRES EXISTING LEVER TO BE	

Item	Current Part	Description	Replaced Part	Qty.	Notes	Kits/Assys Where Needed
19	S-7065	SERVICE LVR ASSY 3-1/2"		1	CUT AND WELDED (INSTRUCTIONS INCLUDED) HIGH - LEVER HEIGHT 3-1/2" NOTE: REQUIRES EXISTING LEVER TO BE CUT AND WELDED	
20	K-7067	ISOLATED SHIFT LEVER KIT		1	(INSTRUCTIONS INCLUDED) 29-3/4" STRAIGHT LEVER - "BEND TO SUIT" 1/2" X 13 THREAD	
21	17560	LEVER GRIP		1	1/2"X13 THREAD	K-7067
22	A-6905	SHIFT KNOB ASSY		1	W/FULLER LOGO, 1/2" X 13 THREAD	
22	S-2537	SHIFT KNOB ASSY		1	W/6 SPEED EMBLEM, 1/2" X 13 THREAD	
23	X-9-802	NUT		1	1/2"X13 THREAD	
24	S-1578	SHIFT LEVER ASSY 3-1/2"		1	COMPLETE ASSY - ALUMINUM HOUSING HIGH - LEVER HEIGHT 3- 1/2" 27-1/2" STRAIGHT LEVER - "BEND TO SUIT" 3/8" X 24 THREAD	
24	S-1827	SHIFT LEVER ASSY 3-1/8"	S-7079	1	COMPLETE ASSY - ALUMINUM HOUSING MEDIUM - LEVER HEIGHT 3-1/8" 27-1/2" STRAIGHT LEVER - "BEND TO SUIT" 3/8" X 24 THREAD	
24	S-7045	SHIFT LEVER ASSY 2-7/8"		1	COMPLETE ASSY - ALUMINUM HOUSING LOW - LEVER HEIGHT 2- 7/8" 33" STRAIGHT LEVER - "BEND TO SUIT" 3/8" X 24 THREAD	
24	S-7090	SHIFT LEVER ASSY 3-1/2"		1	COMPLETE ASSY - ALUMINUM HOUSING HIGH - LEVER HEIGHT 3- 1/2" 33" STRAIGHT LEVER - "BEND TO SUIT" 3/8" X 24 THREAD	



00206-8-97 82

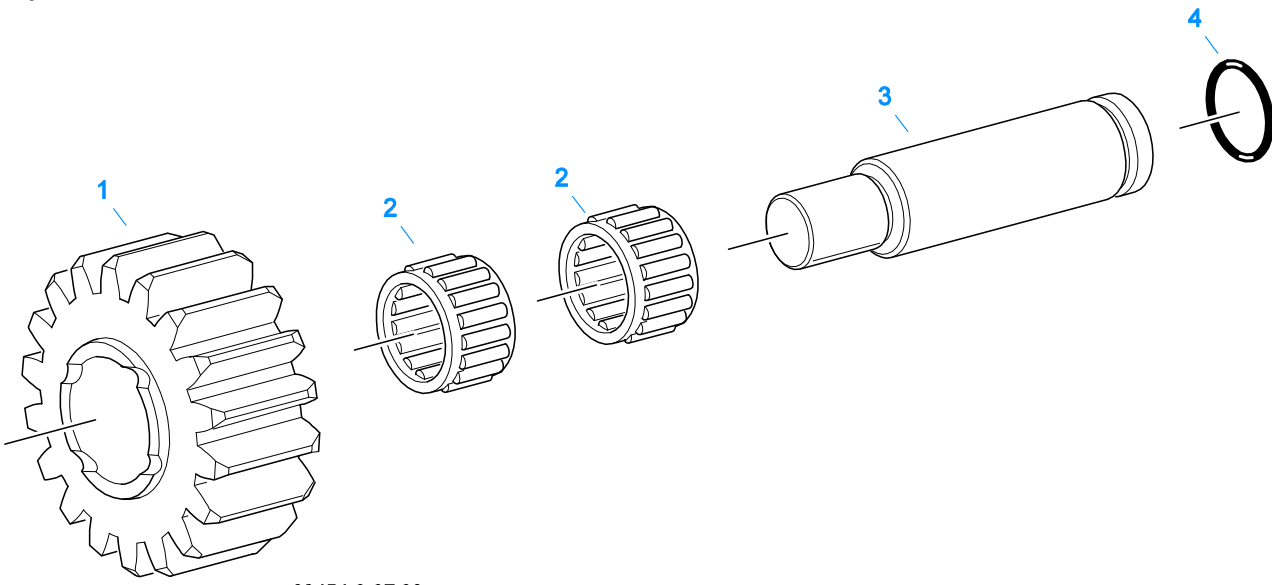
MAINSHAFT ASSY

Item	Current Part	Description	Replaced Part	Qty.	Notes	Kits/Assys Where Needed
1	3313798	SNAP RING		1		K-2467
2	710787	BEARING CONE		1		K-2490
3	22315	SYNCHRONIZER CUP		2		K-2471
4	A-5726	5TH-6TH SYNCHRO ASSY		1		K-2471
5	4300569	CLUTCH HUB	22314	1		
6	22303	5TH GEAR-MAINSHAFT		1		
7	20704	BEARING		1		K-2490
9	20711	RETAINER		1		K-2467
10	20710	WASHER SEGMENT		2		K-2467
11	23374	4TH GEAR-MAINSHAFT	22305	1		
12	20705	BEARING		1		K-2490
13	22317	SYNCHRONIZER CUP		2		K-2470
14	A-5724	3RD-4TH SYNCHRO ASSY		1		K-2470
15	20712	SNAP RING		1		K-2467,K-2490
16	4300792	CLUTCH HUB	22316	1		
17	23372	3RD GEAR-MAINSHAFT	23048	1		
18	20706	BEARING		4		K-2490
19	4300793	RETAINER WASHER	20714	2		K-2467
20	20713	WASHER SEGMENT		4		K-2467
21	23370	2ND GEAR-MAINSHAFT	23050	1		
22	22756	MAINSHAFT		1		
23	A-5723	1ST-2ND SYNCHRO ASSY		1		
24	23369	1ST GEAR-MAINSHAFT	22311	1		
25	23520	REVERSE GEAR-MAINSHAFT		1		
26	22318	SLIDING CLUTCH		1		

Item	Current Part	Description	Replaced Part	Qty.	Notes	Kits/Assys Where Needed
27	22757	CLUTCH HUB		1		
28	731334	BEARING CONE		1		K-2490

MISCELLANEOUS

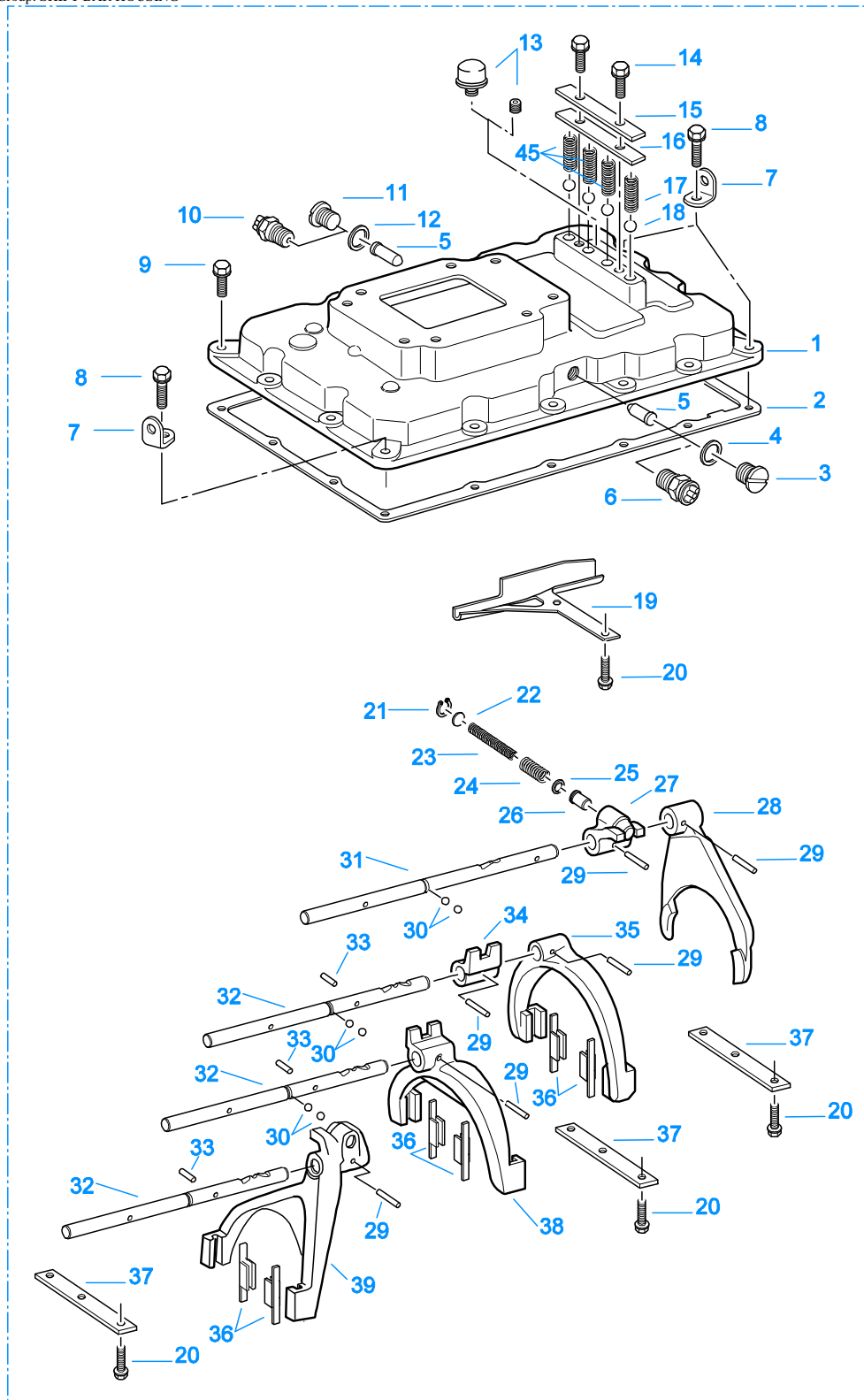
Item	Current Part	Description	Replaced Part	Qty.	Notes	Kits/Assys Where Needed
71203		SILICONE LUBE		1	8 OZ (236.59 CC)-FLEET SIZE	
71204		ADHESIVE SEALANT		1	0.5 CC (SINGLE APPLICATION SIZE)	
71205		SEALANT		1	2 CC (SINGLE APPLICATION SIZE)	
71206		SILICONE LUBE		1	4 CC (SINGLE APPLICATION SIZE)	
71231		GASKET SEALANT		1	8 MILLILITER SIZE	K-2183
71232		THREAD ADHESIVE		1	10 MILLILITER SIZE	K-2490



00454-8-97 82

REVERSE IDLER GEAR ASSY

Item	Current Part	Description	Replaced Part	Qty.	Notes	Kits/Assys Where Needed
1	20671	REVERSE IDLER GEAR		1		
2	20707	BEARING		2		K-2490
3	22324	IDLER SHAFT		1		
4	20674	-O- RING		1		



999

00106-7-97 Standard

SHIFT BAR HOUSING

Item	Current Part	Description	Replaced Part	Qty.	Notes	Kits/Assys Where Needed
1	S-1576	SHIFT BAR HOUSING	21956	1	HOUSING ONLY	

Item	Current Part	Description	Replaced Part	Qty.	Notes	Kits/Assys Where Needed
2	4300853	GASKET		1		K-2465,S-2528
3	22752	PLUG		1		S-1576,S-2528
4	17179	GASKET		1		K-2465,S-1576,S-2528
5	21970	PIN		2		S-2528
6	22941	NEUTRAL LIGHT SWITCH	12639	1	SWITCH NORMALLY CLOSED	
7	20815	LIFTING EYE	17105	3		
8	X-8L-602	CAPSCREW		3	3/8"-16X1-1/2"	
9	X-8C-604	CAPSCREW		13	3/8"-16X1-1/4"	
10	22940	REVERSE LIGHT SWITCH	16830	1	SWITCH NORMALLY OPEN	
11	4303656	PLUG	15917	1	9/16 - 18, THREADED	S-1576,S-2528
12	15900	GASKET		1		K-2465,S-1576,S-2528
13	4304602	BREATHER	23605	1	1/4" NPT	S-2528
13	X-12-405	PIPE PLUG		1		
14	X-8L-600	CAPSCREW		2	3/8"-16X1"	
15	10838	SPRING COVER		1		S-2528
16	10839	GASKET		1		K-2465,S-2528
17	15918	SPRING		1	RELAXED LENGTH 1.46" (ORANGE)	
17	15919	SPRING		1	RELAXED LENGTH 1.5" (GREEN)	S-2528
18	X-14-800	STEEL BALL		4	1/2"	
19	22997	OIL TROUGH		1		S-2528
20	233043	CAPSCREW		9	3/8"-16X1"	S-2528
21	21965	SNAP RING		1		K-2467
22	21964	WASHER		1		
23	21723	SPRING		1	RELAXED LENGTH 1.36"	
23	21724	SPRING		1	RELAXED LENGTH 3.46"	
23	22155	SPRING		1	RELAXED LENGTH 2.79" (ORANGE)	
24	22156	SPRING		1	RELAXED LENGTH 2.25" (YELLOW)	
24	22834	SPRING		1	RELAXED LENGTH 1.56" (ORANGE)	
25	21963	WASHER		1		
26	21966	PLUNGER		1		
27	4301163	SHIFT BLOCK		1	REVERSE	
28	22322	SHIFT YOKE		1	REVERSE	S-2528
29	62516	ROLL PIN	62521	6		S-2528
30	X-14-600	STEEL BALL		6	3/8"	
31	4300628	YOKE BAR		1	REVERSE	S-2528
32	4300627	YOKE BAR		3	1ST-2ND/3RD-4TH/5TH-6TH	S-2528
33	1634	INTERLOCK PIN		3		S-2528
34	4301165	SHIFT BLOCK	21958	1	1ST-2ND	S-2528
35	A-5344	SHIFT YOKE ASSY	22330	1	1ST-2ND	S-2528
36	21199	INSERT		6		A-5343,A-5344,A-5670,K-2467
37	22335	RETAINER		3		S-2528
38	A-5343	SHIFT YOKE ASSY	21959 22331	1	3RD-4TH	S-2528
39	A-5670	SHIFT YOKE ASSY	4300039	1	5TH-6TH	S-2528
45	1064	SPRING		3		K-2467,K-2490,S-2528
999	S-2528	SHIFT BAR HSG ASSY	21956	1	COMPLETE	

