

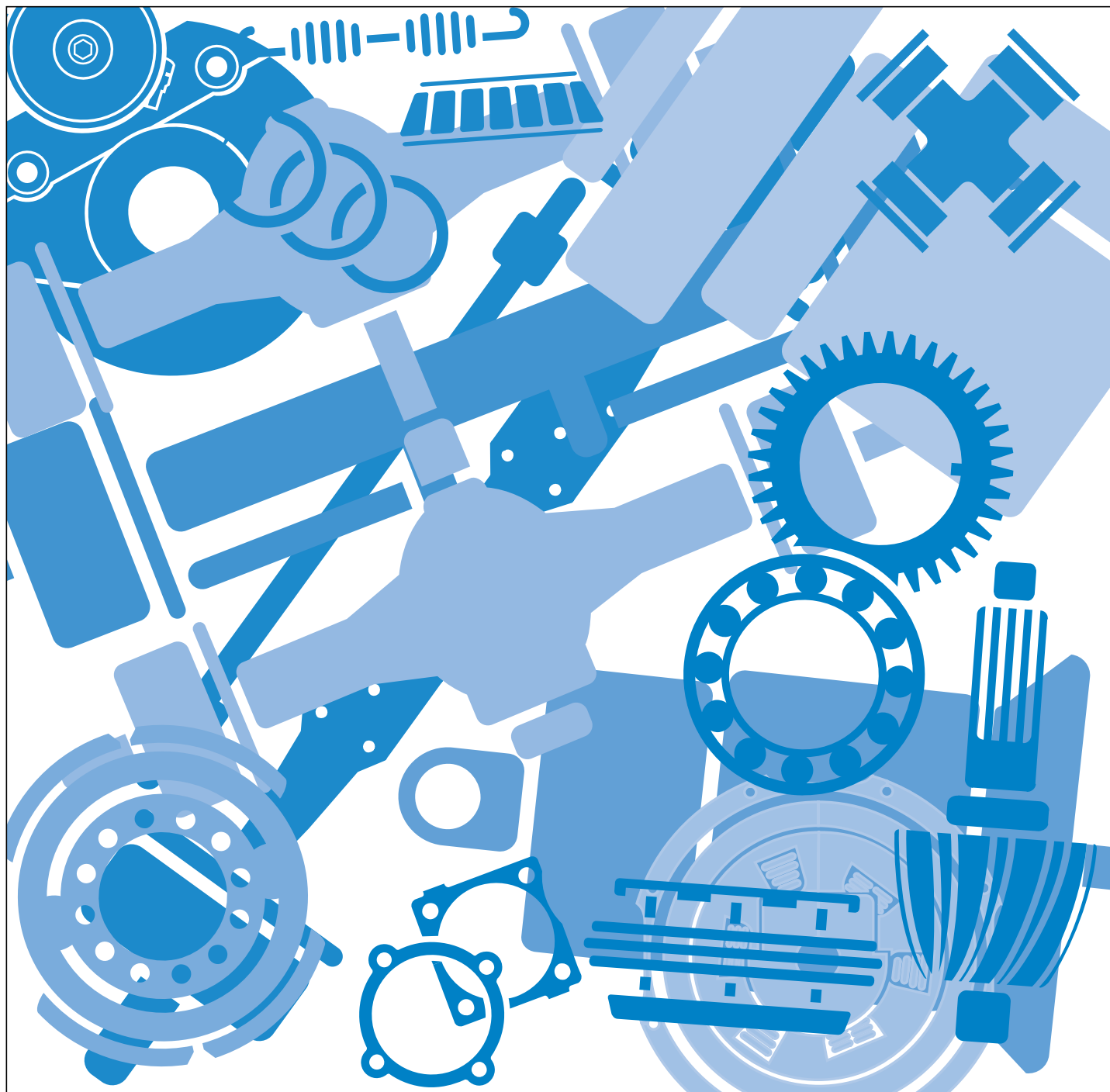
Roadranger®

Eaton® Fuller® Medium Duty Transmissions

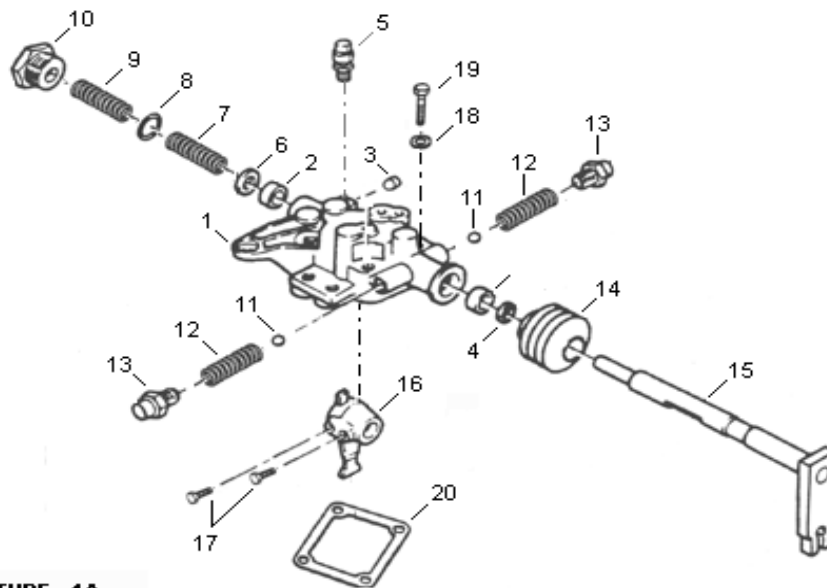


One Great Drivetrain from Two Great Companies

Illustrated Parts List FSO-4305 July 2004



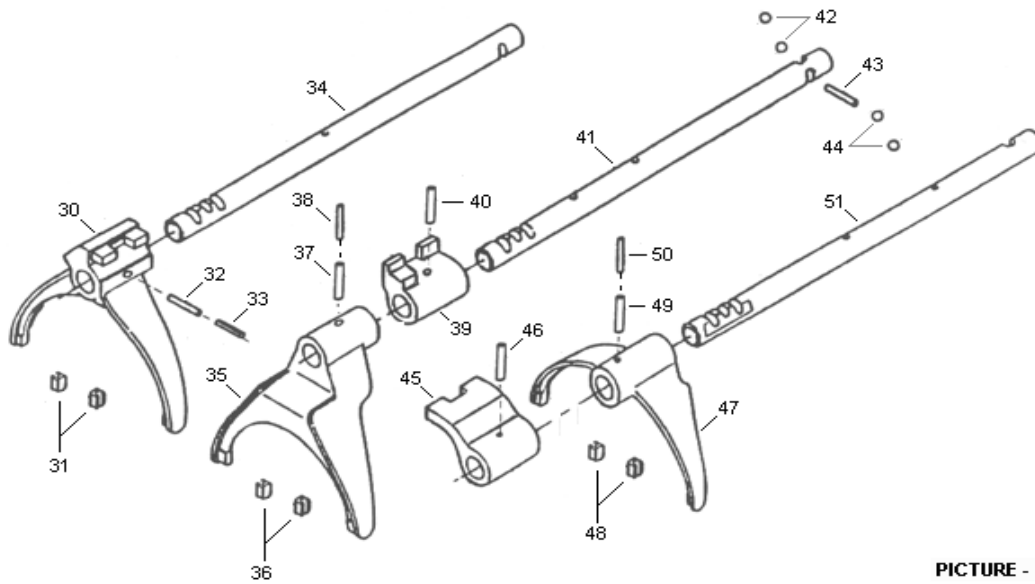
For the most current information, visit the Roadranger web site at www.roadranger.com



PICTURE - 1A

Picture 1 (Shift Levers and Housing)

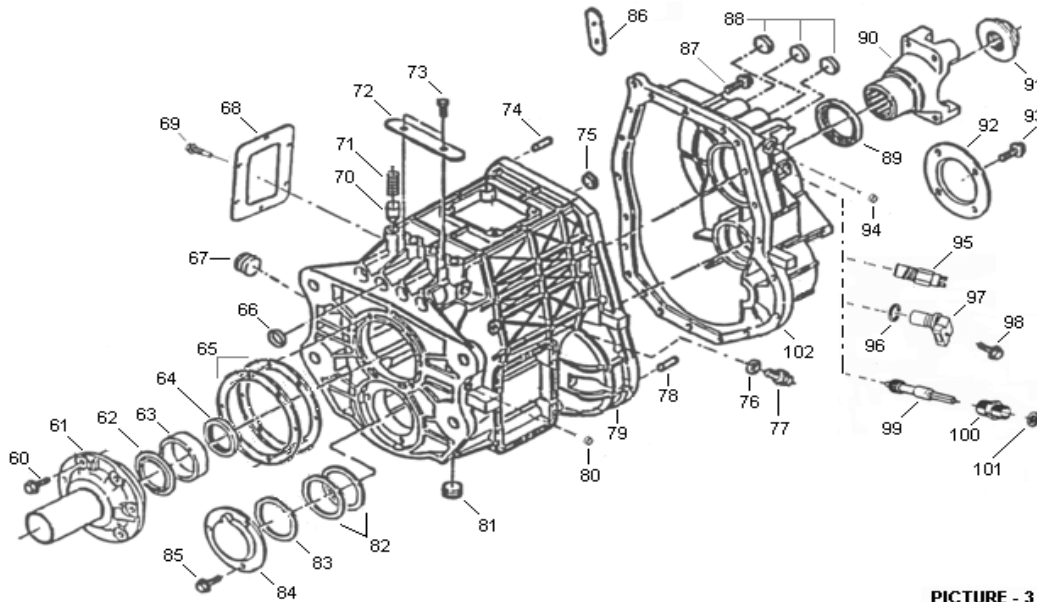
Item	Current Part	Qty	Description
1 (See Notes)	3344121	1	Control Housing Assy
2	3312252	2	Bushing
3	3344050	1	Expansion Plug
4	3312225	1	Oil Seal
5	X2014210	1	Breather
6	3317373	1	Washer
7	3344126	1	Selection Spring 5th / Reverse
8	9JM00090	1	Snap Ring
9	3341386	1	Selection Spring 1st / 2nd
10	3344069	1	Retainer Plug
11	10J000010	2	Steel Ball
12	3344135	2	Ball Spring
13	3344023	1	Retainer Plug
14	3344134	1	Dust Cover
15	3344169	1	Shaft & Shift Lever
16	3344157	1	Inner Shift Lever
17	3315272	2	Capscrew
18	-	-	Not Applied
19	3344060	4	Capscrew
20	3316780	1	Gasket
Notes:			
Item 1	-	-	includes Item 2.



PICTURE - 2

Picture 2 - (Shift Bar Housing)

30 (See Notes)	3344414	1	Yoke Assy 1st / 2nd
31	3348042	2	Bushing
32	1JM06028	1	Pin
33	1JM03528	1	Pin
34	3344349	1	Yoke Bar 1st / 2nd
35 (See Notes)	3344343	1	Yoke Assy 3rd / 4th
36	3348042	2	Bushing
37	1JM06028	1	Pin
38	1JM03528	1	Pin
39	3344280	1	Shift Lug 3rd / 4th
40	14J001818	1	Pin
41	3344348	1	Yoke Bar 3rd / 4th
42	10J000012	2	Steel Ball
43	3341142	1	Interlock cross pin
44	10J000012	2	Steel Ball
45	3344120	1	Shift Lug 5th / Reverse
46	14J001818	1	Pin
47 (See Notes)	3341250	1	Yoke Assy 5th / Reverse
48	3348042	2	Bushing
49	1JM06028	1	Pin
50	1JM03528	1	Pin
51	3344093	1	Yoke Bar 5th / Reverse
Notes:			
Item 30	-	-	includes Item 31.
Item 35	-	-	includes Item 36.
Item 47	-	-	includes Item 48.

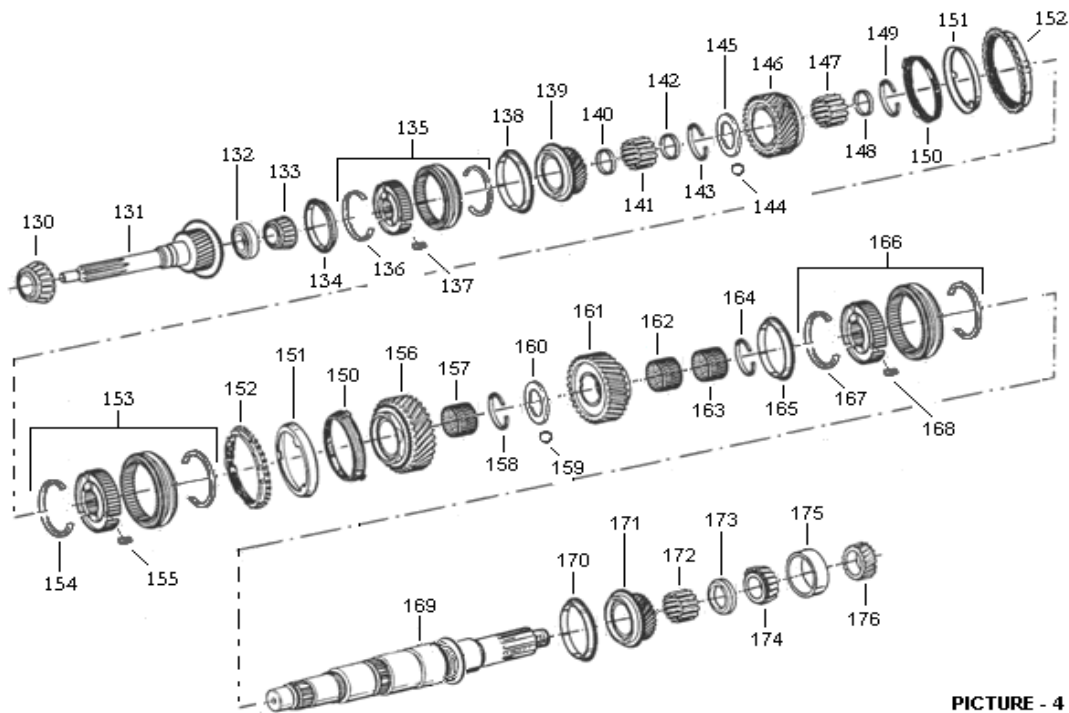


PICTURE - 3

Picture 3 (Transmission Case)

60	3344059	6	Capscrew
61	3344060	1	Front BRG Cover-Pull
62	3342221	1	Oil Baffle
63	3342222	1	Bearing Cup
64	3344422	1	Oil Seal
65 (See Notes)	3341030	1	Shim (0,102)
65 (See Notes)	3341031	1	Shim (0,178)
65 (See Notes)	3341032	1	Shim (0,254)
65 (See Notes)	3341033	1	Shim (0,508)
65 (See Notes)	3341224	1	Shim (0,762)
65 (See Notes)	3341225	1	Shim (1,016)
65 (See Notes)	3344270	1	Shim (0,050)
66	3FM00025P	4	Expansion Plug
67	11F000012P	1	Pipe Plug
68	3344065	6	Capscrew
69	3344067	1	PTO Cover
70	3344387	3	Pin
71	3344096	3	Spring
72	3344058	1	Spring Retainer Plate
73	3344061	2	Capscrew
74	3312741	1	Dowel Pin
75	12F000100	1	Expansion Plug
76	-	-	Not Applied
77	-	-	Not Applied
78	3312741	1	Dowel Pin

79 (See Notes)	3341248	1	Front Case Assy
80	3344050	1	Expansion Plug
81	3341356	1	Pipe Plug
82 (See Notes)	3341025	1	Shim (0,102)
82 (See Notes)	3341026	1	Shim (0,178)
82 (See Notes)	3341027	1	Shim (0,254)
82 (See Notes)	3341028	1	Shim (0,508)
82 (See Notes)	3341222	1	Shim (0,762)
82 (See Notes)	3341223	1	Shim (1,016)
82 (See Notes)	3342297	1	Shim (0,050)
83	3341022	1	Washer
84	3344668	1	C/S Front Brg Cover
85	23GM820PR	3	Capscrew
86	3344068	1	Bracket
87	3344062	18	Capscrew
88	3FM00025P	3	Expansion Plug
89	3344187	1	Oil Seal
90	3341341	1	Universal Joint Yoke
91	021937	1	Nut
92	3344057	1	C/S Rear Brg Cover
93	3344066	4	Capscrew
94	3344050	1	Expansion Plug
95	-	-	Not Applied
96	-	-	Not Applied
97	-	-	Not Applied
98	-	-	Not Applied
99	-	-	Not Applied
100 (See Notes)	3314548	1	Speedometer Sleeve Assy
101	3314547	1	Oil Seal
102	3341391	1	Rear Case
Notes:			
Item 65	-	-	Quantity As Required
Item 79	-	-	Includes Item 66, 74, 75, 78, 80
Item 82	-	-	Quantity As Required
Item 100	-	-	Includes Item 101.

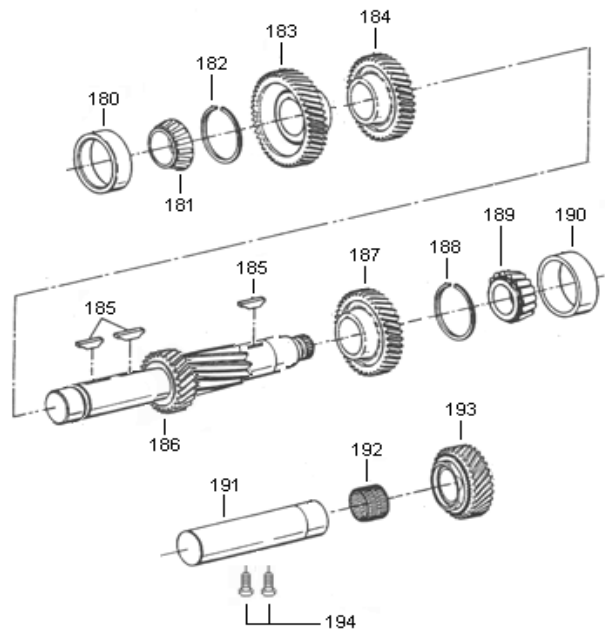


PICTURE - 4

Picture 4 (Gear Assy - Part One)

130	1314773	1	Bearing Cone
131	3344218	1	Input Shaft
132	3341034	1	Oil Baffle
133	666554	1	Bearing Cone
134	3344220	1	Synchronizer Ring 4th
135 (See Notes)	3341092	1	Synchronizer Assy 3rd / 4th
136	3341060	2	Spring Ring
137	3316704	3	Shifting Plate
138	3344328	1	Synchronizer Ring 3rd
139	3344225	1	3rd Speed Gear - Mainshaft
140	3341296	1	Rollers Spacer
141	3341261	36	Rollers - 3rd Speed Gear
142	3341296	1	Rollers Spacer
143	3341206	1	Snap Ring
144	10J000006	1	Steel Ball
145	3341085	1	Washer
146	3344037	1	2nd Speed Gear - Mainshaft
147	3341261	43	Rollers - 2nd Speed Gear
148	3341079	1	Rollers Spacer
149	3341205	1	Snap Ring
150	3341453	2	Synchronizer Ring Inside 1st / 2nd
151	3341062	2	Synchronizer Ring Intern. 1st / 2nd
152	3344274	2	Synchronizer Ring Outside 1st / 2nd
153 (See Notes)	3341283	1	Synchronizer Assy 1st / 2nd

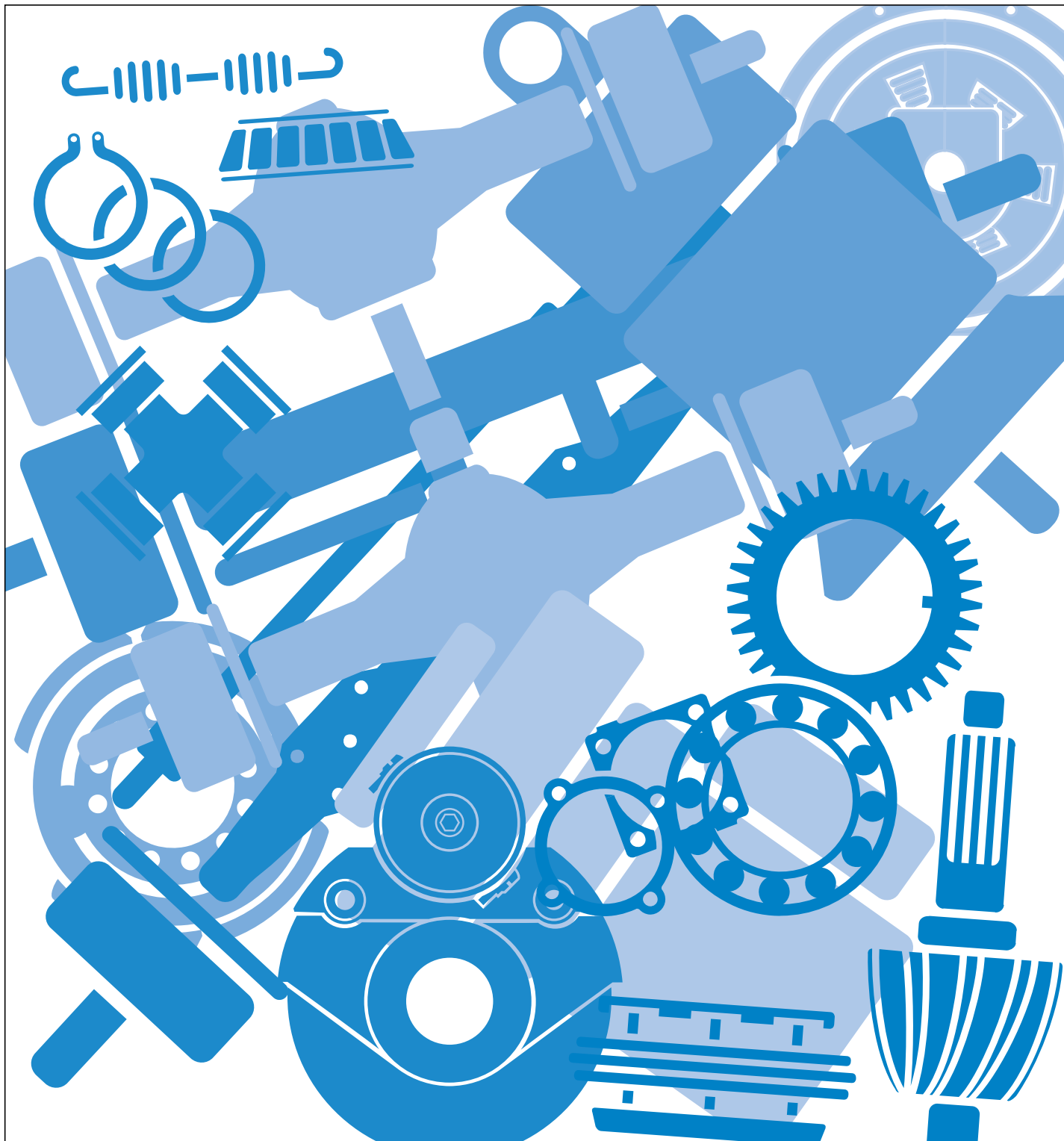
154	3341098	2	Spring Ring
155	3316704	3	Shifting Plate
156	3344035	1	1st Speed Gear - Mainshaft
157	239653	1	Needle Bearing
158	224024	1	Snap Ring
159	10J000006	1	Steel Ball
160	3341068	1	Washer
161	3341372	1	Reverse Gear - Mainshaft
162	3341064	1	Needle Bearing
163	3341064	1	Needle Bearing
164	3315717	1	Snap Ring
165	3341371	1	Synchronizer Ring Reverse
166 (See Notes)	3344163	1	Synchronizer Assy 5th / Reverse
167	3341060	2	Spring Ring
168	3316704	3	Shifting Plate
169	3341164	1	Mainshaft
170	3344220	1	Synchronizer Ring - 5th
171	3344222	1	5th Speed Gear - Mainshaft
172	3341261	36	Rollers - 5th Speed Gear
173	3341281	1	Washer
174	654137	1	Bearing Cone
175	654166	1	Bearing Cup
176	3341200	1	Speedometer Drive Gear
Notes:			
Item 135			Includes Item 136, 137.
Item 153			includes Item 154, 155.
Item 166			Includes Item 167, 168



PICTURE - 5

Picture 5 (Gear Assy - Part Two)

180	672070	1	Bearing Cup
181	675246	1	Bearing Cone
182	240767	1	Snap Ring
183	3341109	1	Drive Gear - Countershaft
184	3341184	1	3rd Gear - Countershaft
185	230292	3	Key
186	3341389	1	Countershaft
187	3341107	1	5th - Countershaft
188	240767	1	Snap Ring
189	675246	1	Bearing Cone
190	672070	1	Bearing Cup
191	3341268	1	Reverse Idler Shaft
192	3341245	1	Needle Bearing
193	3341182	1	Reverse Idler Gear
194	3344063	2	Capscrew



Copyright Eaton and Dana Corporation, 2004. EATON AND DANA CORPORATION hereby grants its customers, vendors, or distributors permission to freely copy, reproduce and/or distribute this document in printed format. THIS INFORMATION IS NOT INTENDED FOR SALE OR RE-SALE, AND THIS NOTICE MUST REMAIN ON ALL COPIES.



National Institute for
**AUTOMOTIVE
SERVICE
EXCELLENCE**

Roadranger®

MORE TIME ON THE ROAD.

The Roadranger® System is an unbeatable combination of the best products from Eaton and Dana – partnering to provide you the most advanced, most trouble-free drivetrain in the industry. And it's backed by the Roadrangers – the most experienced, most expert, most accessible drivetrain consultants in the business. Visit our web site at www.roadranger.com. For spec'ing or service assistance, call 1-800-826-HELP (4357) 24 hours a day, 7 days a week, (Mexico: 01-800-826-HELP (4357)) for more time on the road.



One Great Drivetrain from Two Great Companies

F50-4305
Printed in USA