



**Roadranger®**

More time on the road®

# Illustrated Parts List

---

**RT-6610**  
**July 2011**

## Contents

How To Use The Illustrated Parts List .....	3
AUXILIARY DRIVE GEAR.....	4
CASE (AUX) .....	5
CASE (FRONT) .....	7
COUNTERSHAFT & BRGS(AUX).....	9
COUNTERSHAFT ASSY .....	10
FILTER REGULATOR.....	11
H & C W/19470 VALVE .....	12
H & C W/A-4688 VALVE.....	13
H & C W/A-5000 VALVE.....	14
INPUT SHAFT & DRIVE GEAR .....	15
ISOLATORS .....	16
KITS & ASSEMBLIES .....	17
LEVERS/HOUSINGS .....	18
MAINSHAFT & SYNCHRO(AUX).....	20
MAINSHAFT ASSY .....	21
MISCELLANEOUS .....	23
RANGE CYLINDER.....	24
RANGE VALVE .....	25
REVERSE IDLER.....	27
ROADRANGER VALVE .....	29
SHIFT BAR HOUSING (STD).....	31
SLAVE VALVE - 19470.....	32
SLAVE VALVE - A-4688.....	33
SLAVE VALVE - A-5000.....	34

## How To Use The Illustrated Parts List

The information contained in this document is subject to frequent updates. Therefore, for the latest information available, please visit the interactive Electronic Parts Catalog at [www.roadranger.com/epc](http://www.roadranger.com/epc).

### Model Designation or Nomenclature

- For information regarding Model Designation and Nomenclature, visit [www.roadranger.com](http://www.roadranger.com).

### Kits and Assemblies (K/A's)

- Kits and Assemblies contain groups of individual or assembled parts developed for optimal replacement or repair of a service problem.
- Kits and Assemblies are shown with applicable parts groupings in the parts listings.

### Identifying Kits and Assemblies

A- Part numbers beginning with the letter 'A' are pre-assembled Production Assemblies

K- Part numbers beginning with the letter 'K' are kits that are not assembled

S- Part numbers beginning with the letter 'S' are pre-assembled Service Assemblies

- Note: Some Production Assemblies do not begin with a letter prefix (Midrange only).

### Illustrations

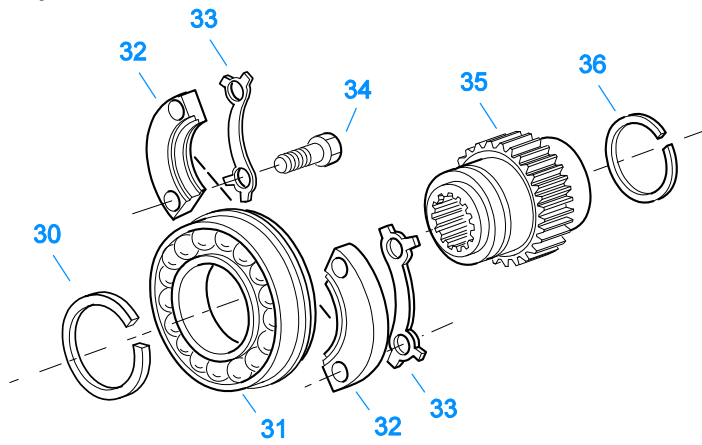
- Illustrations show parts in assembly groups.
- Item numbers on illustrations correspond with parts listings on pages adjacent to the illustration.
- Notes are included on illustrations where additional information is needed.

### Parts Listing

Parts listings are defined by parts groupings and are broken down by service assemblies. Parts listings identify a part for servicing with the following categories

- **Item Number** - corresponding with numbers on illustrations for part identification.
- **Current Part** - identifies part as it is available for service.
- **Description** - specifies part name or description.
- **Replaced Part** - quantity quantity required for assembly.
- **Quantity** - defines unique characteristics or requirements.
- **Notes** - indicates Kits or Assemblies that contain a particular part.
- **Kits/Assy's Where Used**

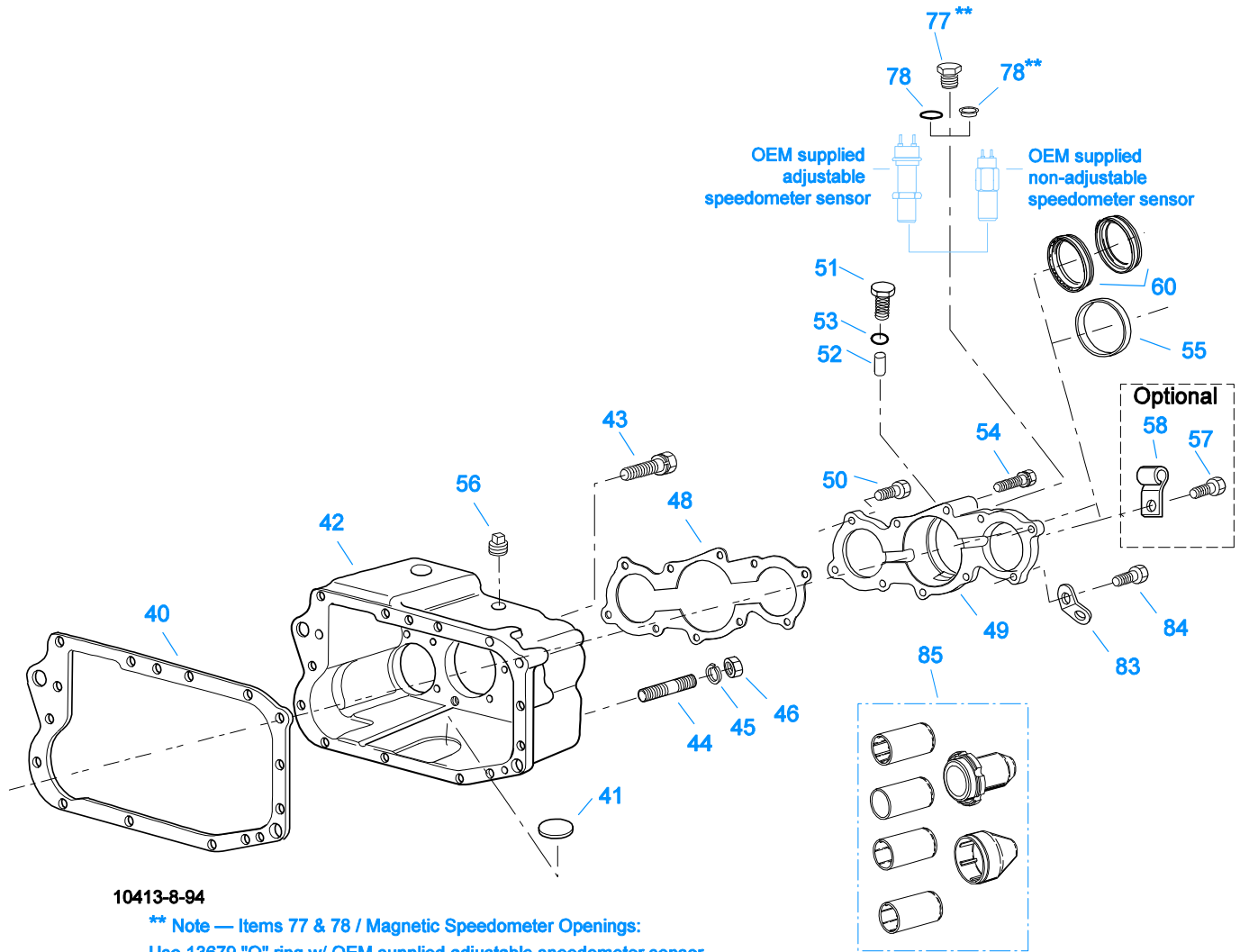
Group: AUXILIARY DRIVE GEAR



10485-8-94

### AUXILIARY DRIVE GEAR

Item	Current Part	Description	Replaced Part	Qty.	Notes	Kits/Assys Where Needed
30	15994	SNAP RING		1		K-1512,K-1850
31	81505	BEARING		1		K-1850
32	15981	RETAINER		2		
33	15748	LOCKWASHER		2		K-1512,K-1850
34	X-8-600	CAPSCREW		4	3/8"-16X1"	
35	19305	AUXILIARY DRIVE GEAR		1		
36	14993	SNAP RING		1		K-1512,K-1850



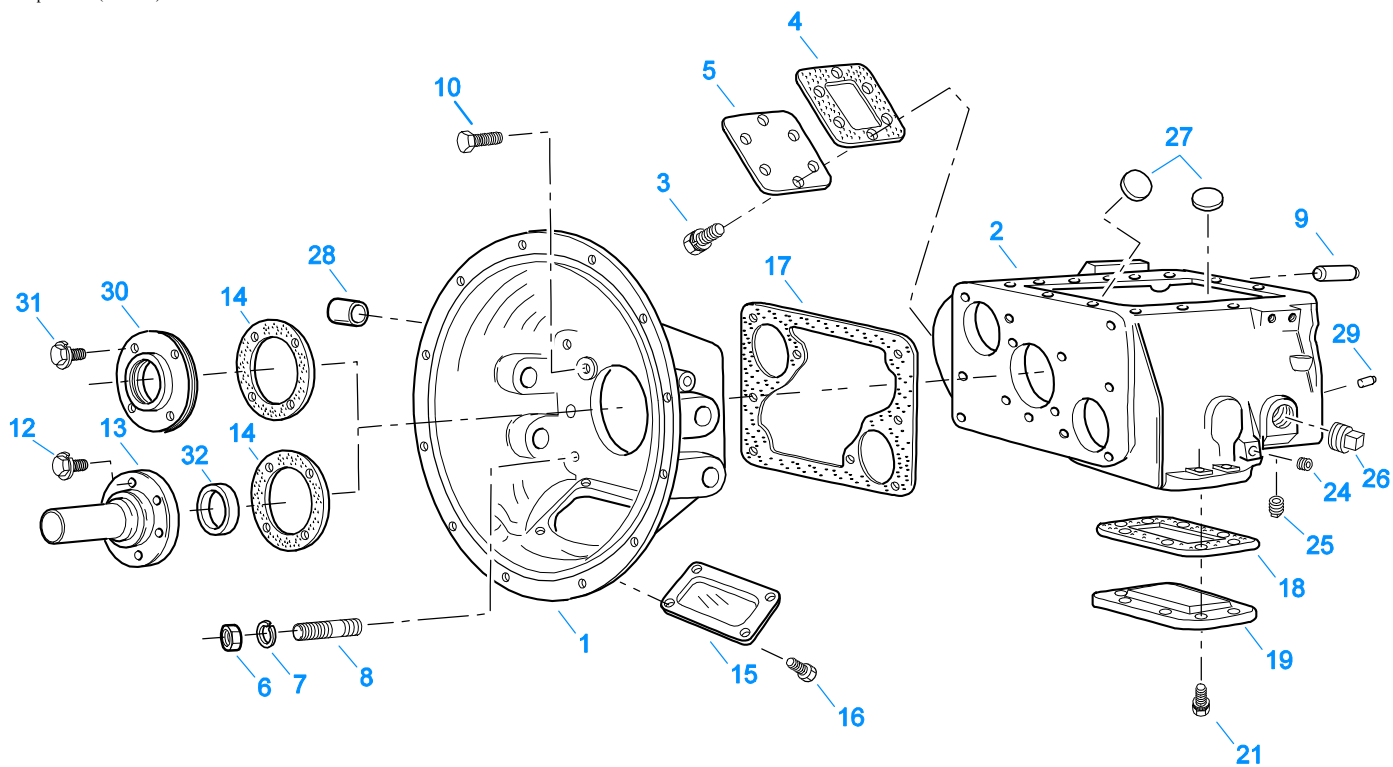
10413-8-94

**\*\* Note — Items 77 & 78 / Magnetic Speedometer Openings:**  
 Use 13679 "O" ring w/ OEM supplied adjustable speedometer sensor  
 and 20225 "O" ring w/ OEM supplied non-adjustable speedometer sensor or Eaton part #20224 Plug

## CASE (AUX)

Item	Current Part	Description	Replaced Part	Qty.	Notes	Kits/Assys Where Needed
40	15061	GASKET		1		K-1931
41	14373	MAGNET		1		S-1261,S-1323
42	S-1261	REAR HOUSING ASSY	16243 ,17390	1		
43	X-8L-604	CAPSCREW		8	3/8"-16X1-1/4"	
43	X-8L-616	CAPSCREW	X 8 616	7	3/8"-16X2-3/4"	
44	12788	STUD		3		
45	X-10-1005	WASHER	X 3 1000 ,X10 1000 ,X10 1004	3	1.23 X 6.60	
46	X-1-1012	HEX NUT	X-1-1005	3	.625-18	
48	16240	GASKET		1		K-1931,K-1937,S-2148
49	K-1937	REAR BRG COVER KIT	16239 ,20810	1	MECHANICAL - LEFT HAND	
49	S-2148	REAR BRG COVER ASSY	16239 ,20633 ,20784 ,20951 ,21527 K - 2171 ,S - 1490 ,S - 1542	1	MECHANICAL & MAGNETIC	
50	X-8L-600	CAPSCREW		6	3/8"-16X1"	
51	20226	PLUG-MECHANICAL	2237	1		K-1937,S-2148
52	7992	BUSHING		1		K-1937,S-2148
53	14142	-O- RING		1		K-1937,K-2079,S-2148
54	X-8L-616	CAPSCREW	X 8 616	4	3/8"-16X2-3/4"	
55	20920	OIL SEAL	15087	1	3-1/2" I.D.	K-1850,K-1937,S-2148
56	X-12-601	PIPE PLUG		1		
57	X-8L-600	CAPSCREW		1	3/8"-16X1"	
58	19727	HOSE CLAMP		1		

Item	Current Part	Description	Replaced Part	Qty.	Notes	Kits/Assys Where Needed
60	K-2262	OIL SEAL W/SLINGER	19109 ,20807 ,20808	1	"FOR MECHANICAL COVER"	
77	20224	PLUG-MAGNETIC		1		S-2148
78	13679	-O- RING		1	USE W/OEM SUPPLIED	
					ADJUSTABLE SPEEDOMETER	
					SENSOR NOT TO BE USED WITH	
					4301954 SEAL	
78	20225	-O- RING		1	USE W/20224 PLUG OR OEM	
					SUPPLIED NON-ADJUSTABLE	
					SPEEDOMETER SENSOR NOT TO	
					BE USED WITH 4301954 SEAL	
78	4301954	SENSOR SEAL		1	O-RING NOT REQUIRED	S-2148
83	20815	LIFTING EYE	17105	2		
84	X-8L-604	CAPSCREW		2	3/8"-16X1-1/4"	
85	K-3651	OIL SEAL TOOL KIT		1		



10312-1-95

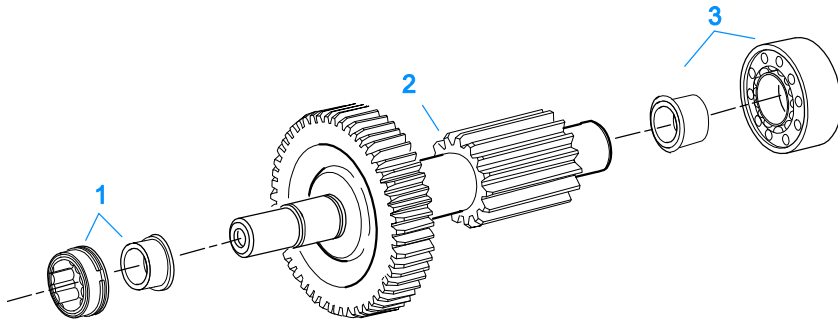
### CASE (FRONT)

Item	Current Part	Description	Replaced Part	Qty.	Notes	Kits/Assys Where Needed
1	A-3711	CLUTCH HOUSING ASSY		1	#2 PUSH-PULL	
1	S-1085	CLUTCH HOUSING ASSY	18130	1	#1 PUSH-PULL	
2	S-1323	NO LONGER AVAILABLE	16885	1		
3	4304023	PLUG	4303747	1	1-1/16" MAGNETIC, O-RING INCLUDED	
3	X-8-686	CAPSCREW		6	3/8"-16X3/4"	
4	4305309	GASKET	1684	1		K-1931
5	14575	PTO COVER	4302254	1		
6	X-1-1012	HEX NUT	X-1-1005	6	.625-18	
7	X-10-1005	WASHER	X 3 1000 ,X10 1000 ,X10 1004	6	1.23 X 6.60	
8	14554	STUD	1632 ,6579	6	5/8" X 2-3/16"	
9	14334	DOWEL		2		
10	X-8L-808	CAPSCREW		2	1/2"-13X1-1/4"	
12	X-8L-604	CAPSCREW		4	3/8"-16X1-1/4"	
13	15020	FRONT BRG COVER		1	1-3/4" SHAFT, 6-7/32" PUSH	
13	15265	FRONT BRG COVER		1	1-1/2" SHAFT, 7-1/16" PUSH	
13	15491	FRONT BRG COVER		1	1-1/2" SHAFT, 5-25/32" PUSH	
13	15647	FRONT BRG COVER		1	1-1/2" SHAFT, 7-1/4" PUSH	
13	15727	FRONT BRG COVER		1	1-1/2" SHAFT, 6-7/32" PUSH	
13	16277	FRONT BRG COVER		1	1-1/2" SHAFT, 6-1/4" PUSH	
14	15059	GASKET		1		K-1931
15	14506	HAND HOLE COVER		1	#2 PUSH	
15	14507	HAND HOLE COVER		1	#2 PULL	
15	4305230	HAND HOLE COVER	11453	1	#1 PULL	A-3711
15	4305231	HAND HOLE COVER	1565	1	#1 PUSH	
16	239614	SCREW	X-8L-509	4	5/16-18X.81 QUANTITY DEPENDENT ON DESIGN	
17	15060	GASKET		1		K-1931
18	4305310	GASKET	4302810	1		K-1931
19	4302809	PTO COVER	16596 ,4300571	1		
21	X-8-725	CAPSCREW	X 8 724	8	7/16"-14X7/8"	
24	X-12-802	PIPE PLUG	X12 800	1	1/2"	

Item	Current Part	Description	Replaced Part	Qty.	Notes	Kits/Assys Where Needed
25	X-12-1207	PIPE PLUG	X12 1202 ,X12 1206	1	3/4" MAGNETIC	
26	X-12-2002	PIPE PLUG		1	1-1/4"	
27	14373	MAGNET		2		S-1261,S-1323
28	12815	BUSHING		4		A-3711,S-1085
29	15079	TUBE		2		S-1323
30	15019	FRONT BRG COVER		1	1-3/4" SHAFT, PULL	
31	X-8L-604	CAPSCREW		4	3/8"-16X1-1/4"	
32	16020	OIL SEAL	F91410	1	USE W/1-1/2" INPUT SHAFTS	



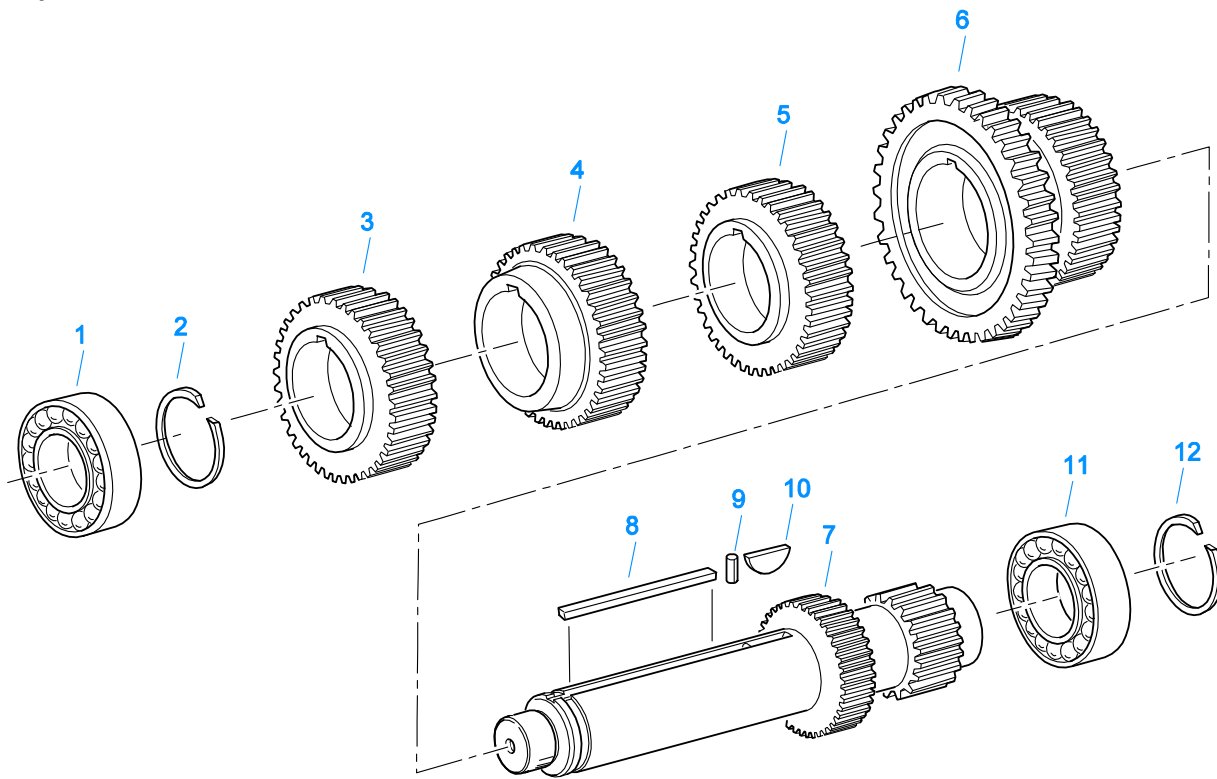
Group: COUNTERSHAFT & BRGS(AUX)



10447-8-94

### COUNTERSHAFT & BRGS(AUX)

Item	Current Part	Description	Replaced Part	Qty.	Notes	Kits/Assys Where Needed
1	17553	BEARING	16915	2		K-1850
2	A-4613	WELDED COUNTERSHAFT ASSY		2	C/S 19250 - D/G 19259	
3	16244	BEARING		2		K-1850



10354-1-95

## COUNTERSHAFT ASSY

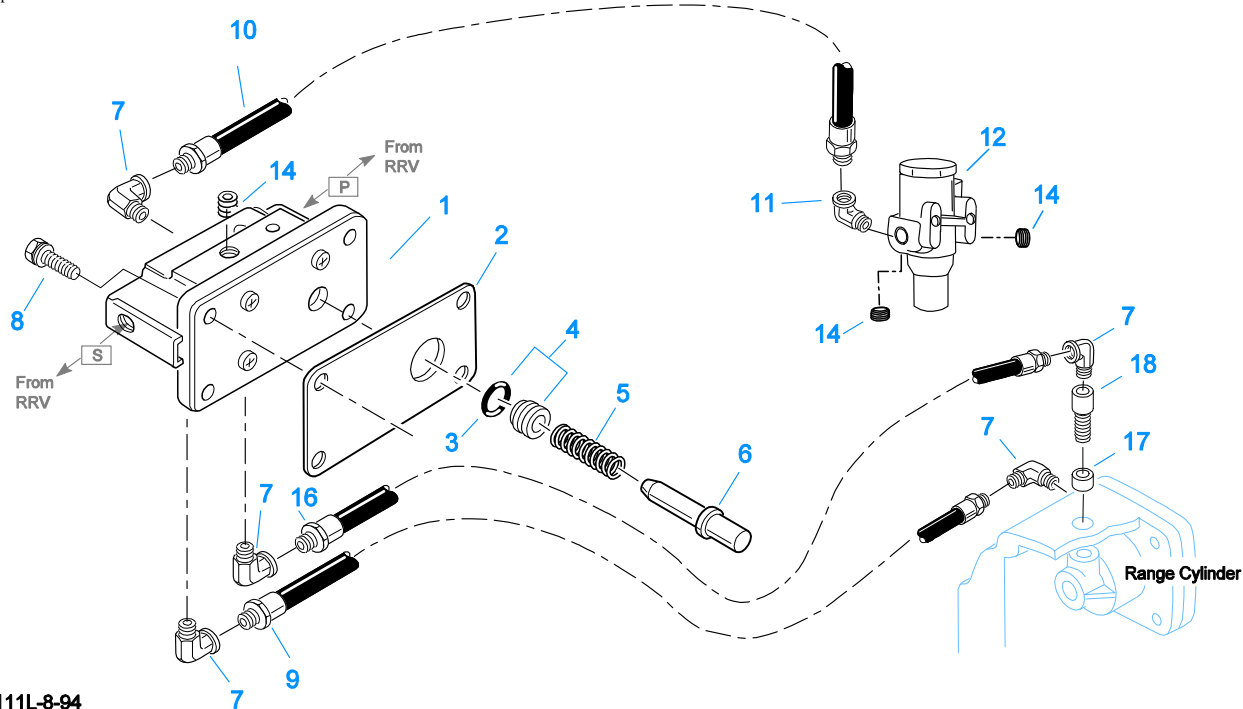
Item	Current Part	Description	Replaced Part	Qty.	Notes	Kits/Assys Where Needed
1	18657	BEARING	81045	2		K-1850
2	14286	SNAP RING		2		K-1512
3	19210	DRIVE GEAR-CNTRSHFT		2		
4	19296	4TH GEAR-CNTRSHFT		2		
5	19211	3RD GEAR-CNTRSHFT		2		
6	A-4918	WELDED GEAR ASSY	19212	2	PTO-20166 / 2ND-20168	
7	19209	COUNTERSHAFT		2		
8	16662	KEY		2		
9	62511	ROLL PIN		2		
10	X-6-128	KEY		2	5/16"X2-1/8"	
11	18658	BEARING	81046	2		K-1850
12	15050	SNAP RING		2		K-1512

Group: FILTER REGULATOR



## FILTER REGULATOR

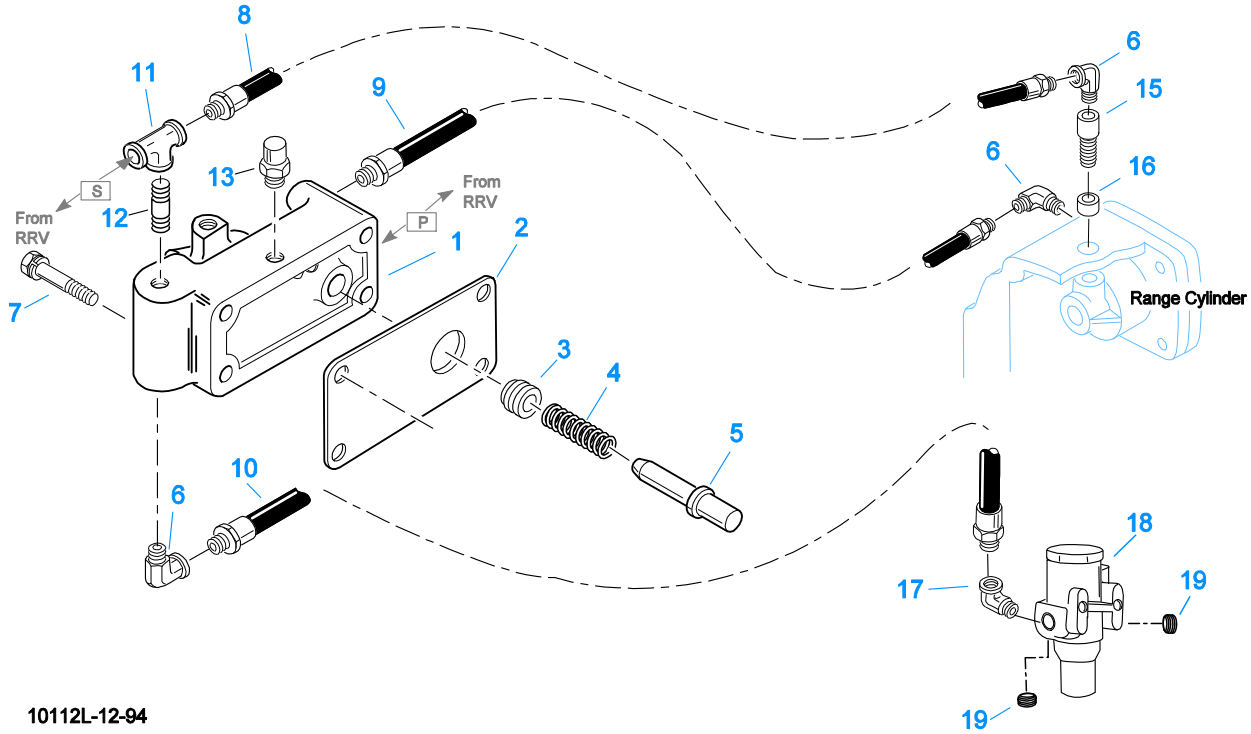
Item	Current Part	Description	Replaced Part	Qty.	Notes	Kits/Assys Where Needed
1	A-4740	FILTER/REGULATOR	19600	1		
2	K-1698	-O- RING/ELEMENT KIT		1	FOR FILTER REGULATOR	
3	X-8C-412	CAPSCREW	X 8S 412	2	1/4"-20X2-1/4"	



10111L-8-94

### H & C W/19470 VALVE

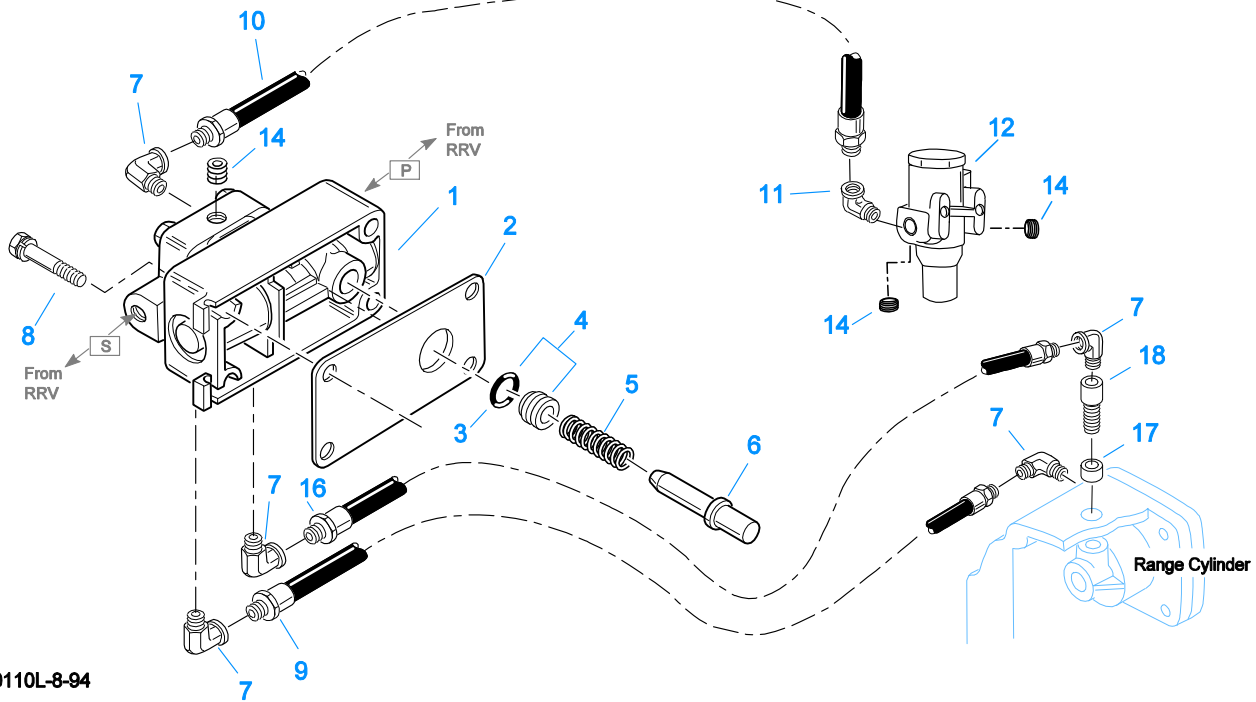
Item	Current Part	Description	Replaced Part	Qty.	Notes	Kits/Assys Where Needed
1	K-2424	VALVE REPLACEMENT KIT	19470	1		
2	19481	GASKET		1		K-1931,K-2424
3	14142	-O- RING		1		K-1937,K-2079,S-2148
4	K-2079	SLEEVE KIT	19570	1		
5	21268	SPRING	19572	1		K-1512
6	20649	PIN		1		K-1512
7	12845	ELBOW		5	1/8"	
8	X-8C-401	CAPSCREW		4	1/4"-20X1-1/8"	
9	55513	HOSE ASSY		1	12-1/2"	
10	55527	HOSE ASSY		1	15"	
11	12880	ELBOW		1	1/8"	
12	A-4740	FILTER/REGULATOR	19600	1		
14	X-12-208	PIPE PLUG		3	1/8" NPT	
16	55517	HOSE ASSY		1	10-1/2"	
17	15095	SEAL		1		K-1850
18	4300330	ADAPTER	15094	1		



10112L-12-94

### H & C W/A-4688 VALVE

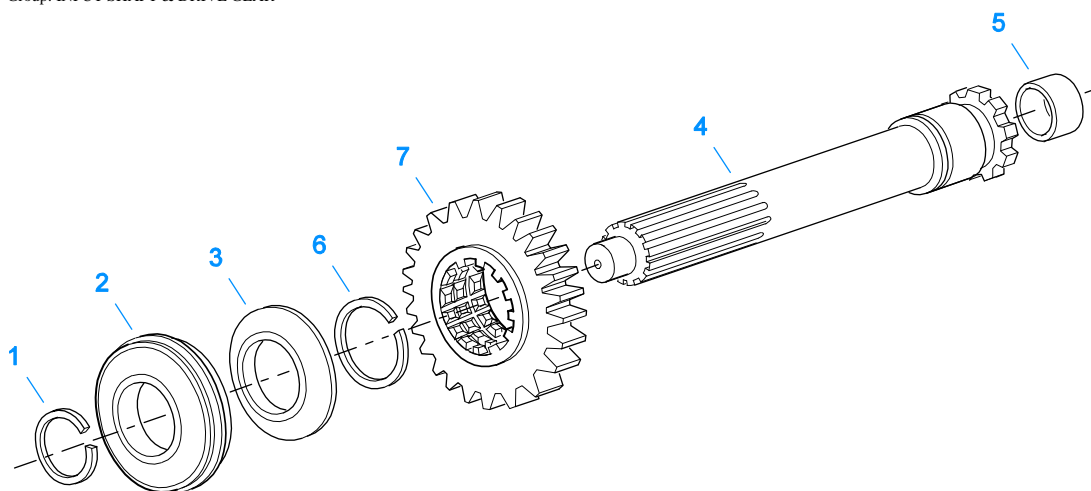
Item	Current Part	Description	Replaced Part	Qty.	Notes	Kits/Assys Where Needed
1	A-4688	SLAVE VALVE ASSY	15125 ,19464 ,A - 3991	1		
2	15758	GASKET		1		K-1699,K-1931
3	12751	SLEEVE		1		
4	6392	SPRING		1		K-1512,S-1806
5	15102	PIN		1		K-1512
6	12845	ELBOW		3	1/8"	
7	X-8L-411	CAPSCREW	X 8 411	4	1/4"-20X1-3/4"	
8	55517	HOSE ASSY		1	10-1/2"	
9	55513	HOSE ASSY		1	12-1/2"	
10	55532	HOSE ASSY		1	15-1/2"	
11	12881	TEE		1	1/8"	
12	12769	NIPPLE		1	1/8"	
13	X2014210	BREATHER	7935	1		
15	12751	SLEEVE		1		
16	15095	SEAL		1		K-1850
17	12845	ELBOW		1	1/8"	
18	A-4740	FILTER/REGULATOR	19600	1		
19	X-12-208	PIPE PLUG		2	1/8" NPT	



10110L-8-94

## H & C W/A-5000 VALVE

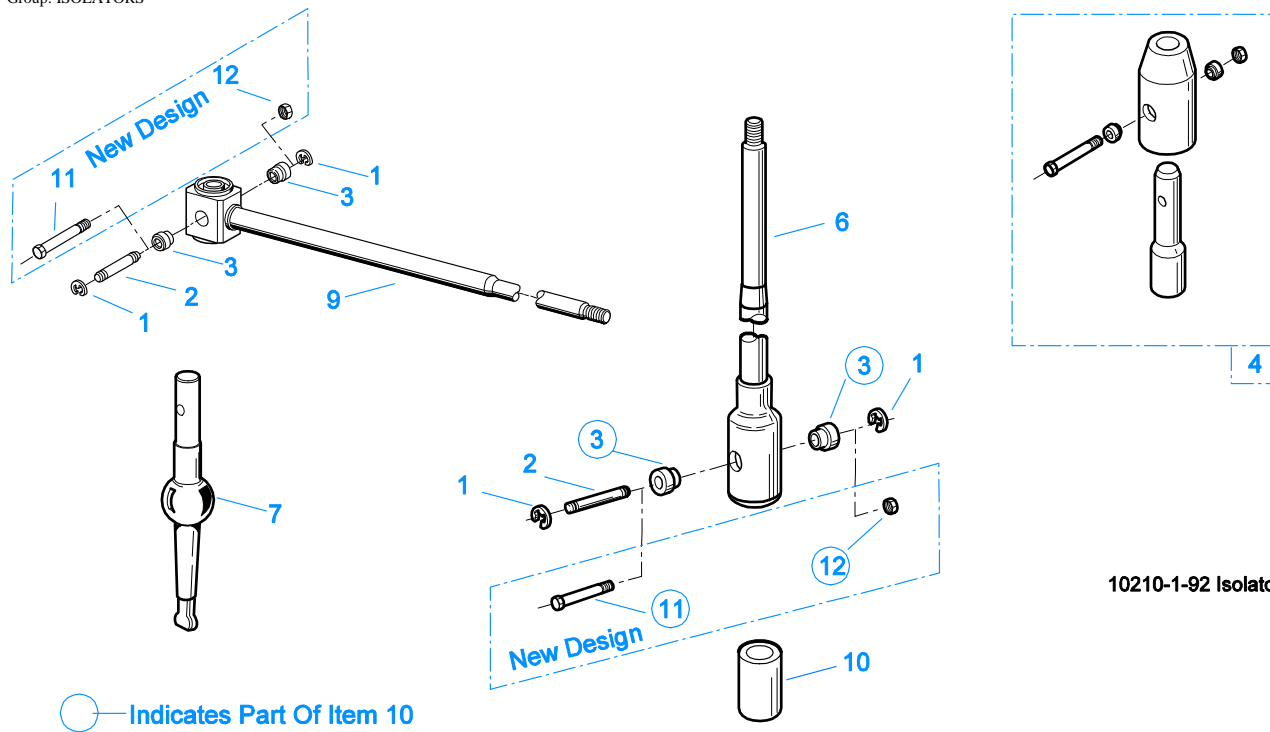
Item	Current Part	Description	Replaced Part	Qty.	Notes	Kits/Assys Where Needed
1	A-5000	SLAVE VALVE ASSY	20850	1		K-2424
2	19481	GASKET		1		K-1931,K-2424
3	14142	-O- RING		1		K-1937,K-2079,S-2148
4	K-2079	SLEEVE KIT	19570	1		
5	21268	SPRING	19572	1		K-1512
6	20649	PIN		1		K-1512
7	12845	ELBOW		5	1/8"	
8	X-8C-411	CAPSCREW		4	1/4"-20X1-3/4"	
9	55513	HOSE ASSY		1	12-1/2"	
10	55527	HOSE ASSY		1	15"	
11	12880	ELBOW		1	1/8"	
12	A-4740	FILTER/REGULATOR	19600	1		
14	X-12-208	PIPE PLUG		3	1/8" NPT	
16	55517	HOSE ASSY		1	10-1/2"	
17	15095	SEAL		1		K-1850
18	4300330	ADAPTER	15094	1		



10373-8-94

### INPUT SHAFT & DRIVE GEAR

Item	Current Part	Description	Replaced Part	Qty.	Notes	Kits/Assys Where Needed
1	15253	SNAP RING		1		K-1850,S-1250,S-1251,S-1252,S-1253,S-1254,S-1255
2	4301863	BEARING	81551	1		K-1850
3	15971	SPACER		1		
4	S-1250	INPUT SHAFT ASSY	16224 ,18260 ,18441	1	1-3/4" 1.18 DIA. PILOT PUSH	
4	S-1251	INPUT SHAFT ASSY	16282 ,18255 ,18442	1	1-3/4" .98 DIA. PILOT PUSH	
4	S-1252	INPUT SHAFT ASSY	16283 ,18261 ,18443	1	1-1/2" .98 DIA. PILOT 11.42" LONG PUSH	
4	S-1253	INPUT SHAFT ASSY	16281 ,18262 ,18444	1	1-3/4" 1.18 DIA. PILOT PULL	
4	S-1254	INPUT SHAFT ASSY	16284 ,18263 ,18445	1	1-1/2" .98 DIA PILOT 12.22" LONG PUSH	
4	S-1255	INPUT SHAFT ASSY	16844 ,18264 ,18446	1	1-3/4" .98 DIA. PILOT PULL	
5	15977	BUSHING		1		K-1850,S-1250,S-1251,S-1252,S-1253,S-1254,S-1255
6	15973	SNAP RING		1		K-1850
7	21661	MAIN DRIVE GEAR		1	USE W/21662 SL CLUTCH & 21663 4TH GEAR	K-2018
7	K-2018	UPDATE KIT	19294 ,19295	1		



10210-1-92 Isolator

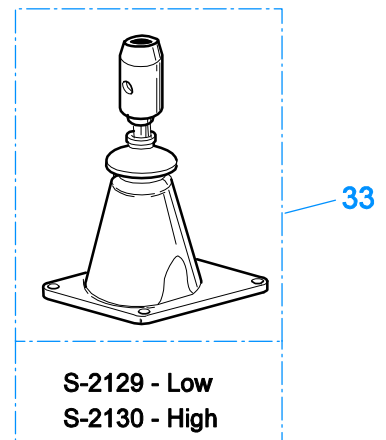
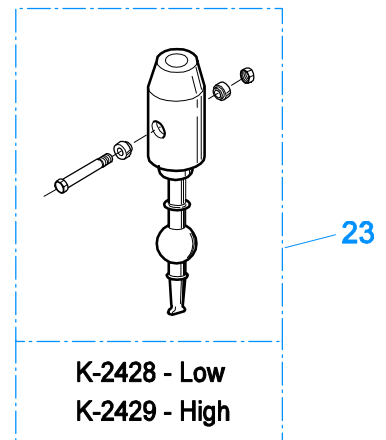
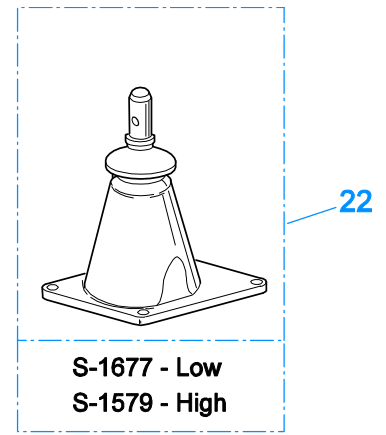
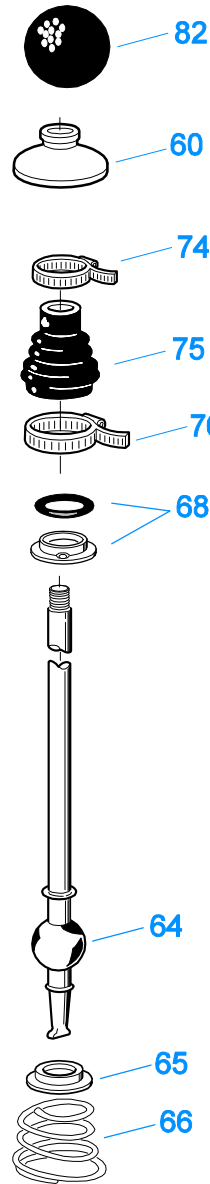
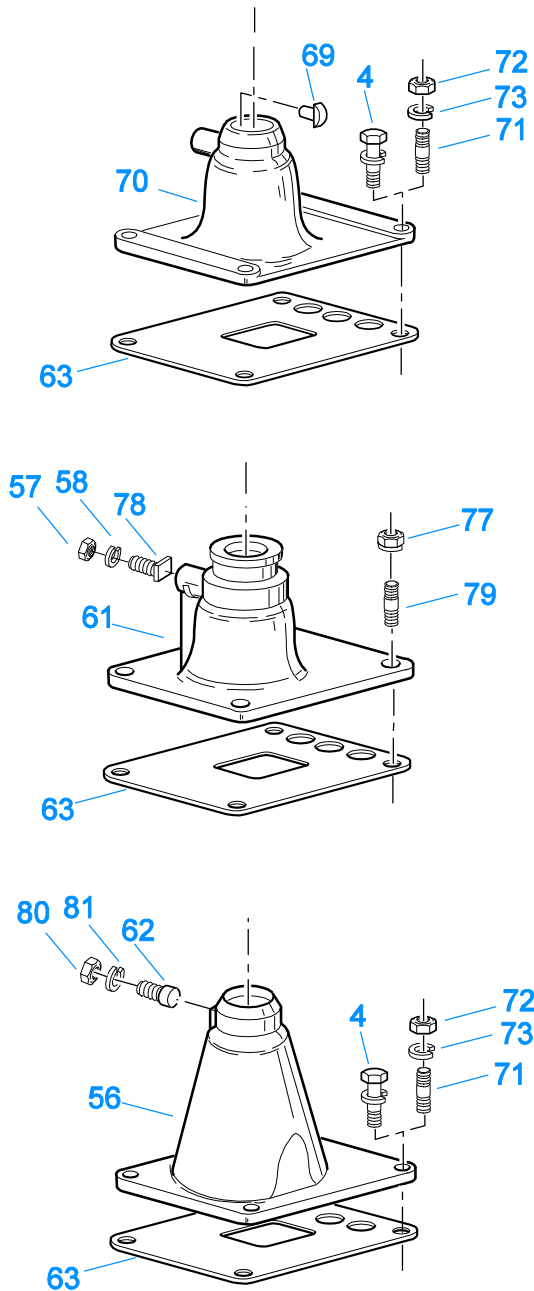
## ISOLATORS

Item	Current Part	Description	Replaced Part	Qty.	Notes	Kits/Assys Where Needed
1	19124	-E- RING		2		
2	K-3467	PIN REPLACEMENT KIT	21245	1		
3	21246	BUSHING		2		K-2003,K-2428,K-2429,K-3399,S-2129,S-2130
4	S-1794	ISOLATOR ASSY		1		
6	21247	LEVER		1	STRAIGHT 18.67"	
7	21235	STUB LEVER		1	LOW TOWER	K-2428,S-1677
7	21236	STUB LEVER		1	HIGH TOWER	K-2429,S-1579,S-2130
9	21767	90 DEG LEVER		1	STRAIGHT 33"	
10	K-3399	ISOLATOR BUSHING KIT	21244 ,23311	1		
11	X-8-560	SCREW		1		
12	X-9-503	NUT		1		



## KITS & ASSEMBLIES

Item	Current Part	Description	Replaced Part	Qty.	Notes	Kits/Assys Where Needed
K-1433		CYLINDER KIT-RANGE		1		
K-1476		SHIFT LEVER HSG	4530 ,17163 ,18298 ,4304905 ,A - 4437	1	LOW TOWER	
K-1512		SMALL PARTS KIT		1		
K-1566		VALVE REPAIR KIT		1	FOR A-3546 VALVE	
K-1613		CAP REPLACEMENT KIT	16429 ,18707	1	FOR A-4688 VALVE	
K-1631		SHIFT LEVER HSG	14456 ,17168 ,4304327	1	LOW	
K-1698		-O- RING/ELEMENT KIT		1	FOR FILTER REGULATOR	
K-1699		REPAIR KIT-SLAVE VALVE		1	FOR A-4688 VALVE	
K-1850		BASIC REBUILD KIT		1		
K-1921		MASTER VALVE REPAIR KIT		1	FOR A-6909 & A-5010 VALVES	
K-1931		GASKET KIT		1		K-1850
K-1935		REPAIR KIT-SLAVE VALVE		1	FOR A-5000 VALVE	
K-1937		REAR BRG COVER KIT	16239 ,20810	1	MECHANICAL - LEFT HAND	
K-1958		-O- RING KIT		1	FOR RANGE CYLINDER	
K-2003		PIN & BUSHING KIT		1		
K-2010		VALVE CONVERSION KIT		1	FOR A-5010 VALVE	
K-2018		UPDATE KIT	19294 ,19295	1	RT	
K-2019		UPDATE KIT	19298	1	RTO	
K-2079		SLEEVE KIT	19570	1	FOR SLAVE VALVES	
K-2262		OIL SEAL W/SLINGER	19109 ,20807 ,20808	1	"FOR MECHANICAL COVER"	
K-2394		AIR SYSTEMS TOOL KIT		1		
K-2424		VALVE REPLACEMENT KIT	19470	1		
K-2428		LEVER REPLACEMENT KIT		1	LOW TOWER	
K-2429		LEVER REPLACEMENT KIT		1	HIGH TOWER	
K-2444		SYNCHRONIZER KIT	K - 1930	1		
K-2973		SHIFT LEVER HSG KIT	17166 ,17167 ,4303050 ,4304910 ,K - 1630 K - 1941	1	HIGH TOWER	
K-3399		ISOLATOR BUSHING KIT	21244 ,23311	1		
K-3467		PIN REPLACEMENT KIT	21245	1		
K-3651		OIL SEAL TOOL KIT		1		
S-1085		CLUTCH HOUSING ASSY	18130	1		
S-1250		INPUT SHAFT ASSY	16224 ,18260 ,18441	1	1-3/4" PUSH	
S-1251		INPUT SHAFT ASSY	16282 ,18255 ,18442	1	1-3/4" PUSH	
S-1252		INPUT SHAFT ASSY	16283 ,18261 ,18443	1	1-1/2" PUSH	
S-1253		INPUT SHAFT ASSY	16281 ,18262 ,18444	1	1-3/4" PULL	
S-1254		INPUT SHAFT ASSY	16284 ,18263 ,18445	1	1-1/2" PUSH	
S-1255		INPUT SHAFT ASSY	16844 ,18264 ,18446	1	1-3/4" PULL	
S-1261		REAR HOUSING ASSY	16243 ,17390	1		
S-1516		CAP ASSY	20851 ,20853	1	FOR A-5000 VALVE	
S-1794		ISOLATOR ASSY		1		
S-1806		SHIFT BAR HSG ASSY (STD)	S - 1476	1	COMPLETE	
S-2129		SHIFT LEVER HSG ASSY		1	LOW TOWER	
S-2130		SHIFT LEVER HSG ASSY	S - 2053	1	HIGH TOWER	
S-2148		REAR BRG COVER ASSY	16239 ,20633 ,20784 ,20951 ,21527 K - 2171 ,S - 1490 ,S - 1542	1	MECHANICAL & MAGNETIC	
S-2543		ROADRANGER VALVE ASSY	A - 5043	1	RT - W/SHIFT DIAGRAM MEDALLION	
S-2544		ROADRANGER VALVE ASSY	A - 5045	1	RTO - W/SHIFT DIAGRAM MEDALLION	

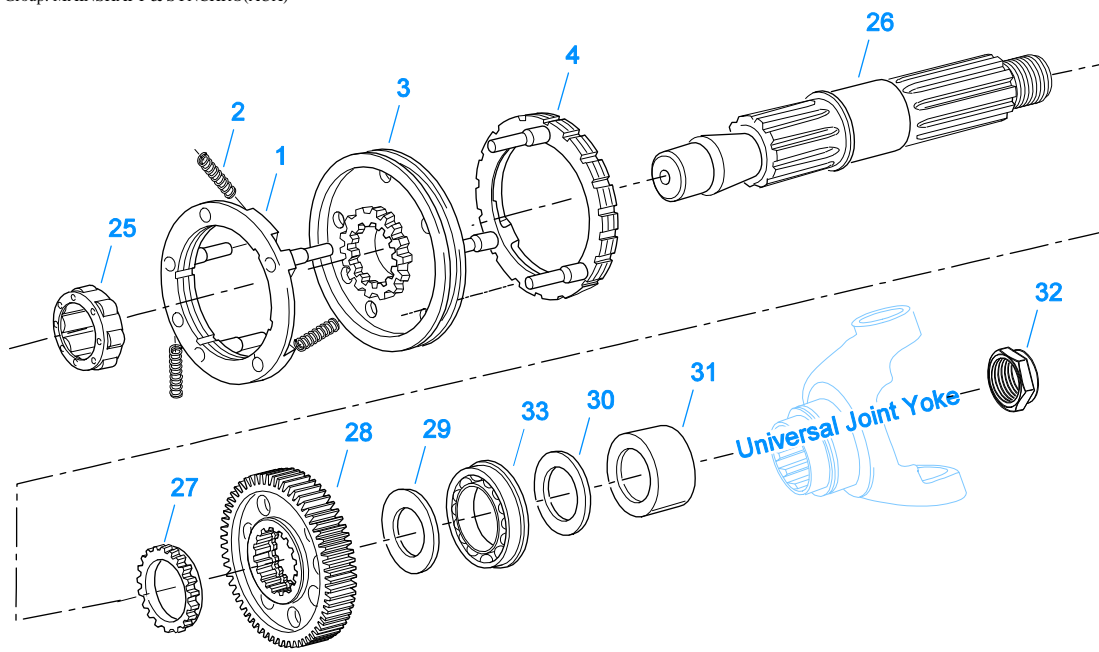


10203-6-94

## LEVERS/HOUSINGS

Item	Current Part	Description	Replaced Part	Qty.	Notes	Kits/Assys Where Needed
4	X-8C-604	CAPSCREW		4	3/8"-16X1-1/4"	
23	K-2428	LEVER REPLACEMENT KIT		1	LOW TOWER	
23	K-2429	LEVER REPLACEMENT KIT		1	HIGH TOWER	
24	S-1579	SHIFT TOWER ASSY		1	HIGH TOWER	
24	S-1677	SHIFT TOWER ASSY		1	LOW TOWER	
33	S-2129	SHIFT LEVER HSG ASSY		1	LOW TOWER	
33	S-2130	SHIFT LEVER HSG ASSY	S - 2053	1	HIGH TOWER	
56	K-2973	SHIFT LEVER HSG KIT	17166 ,17167 ,4303050	1	HIGH TOWER	

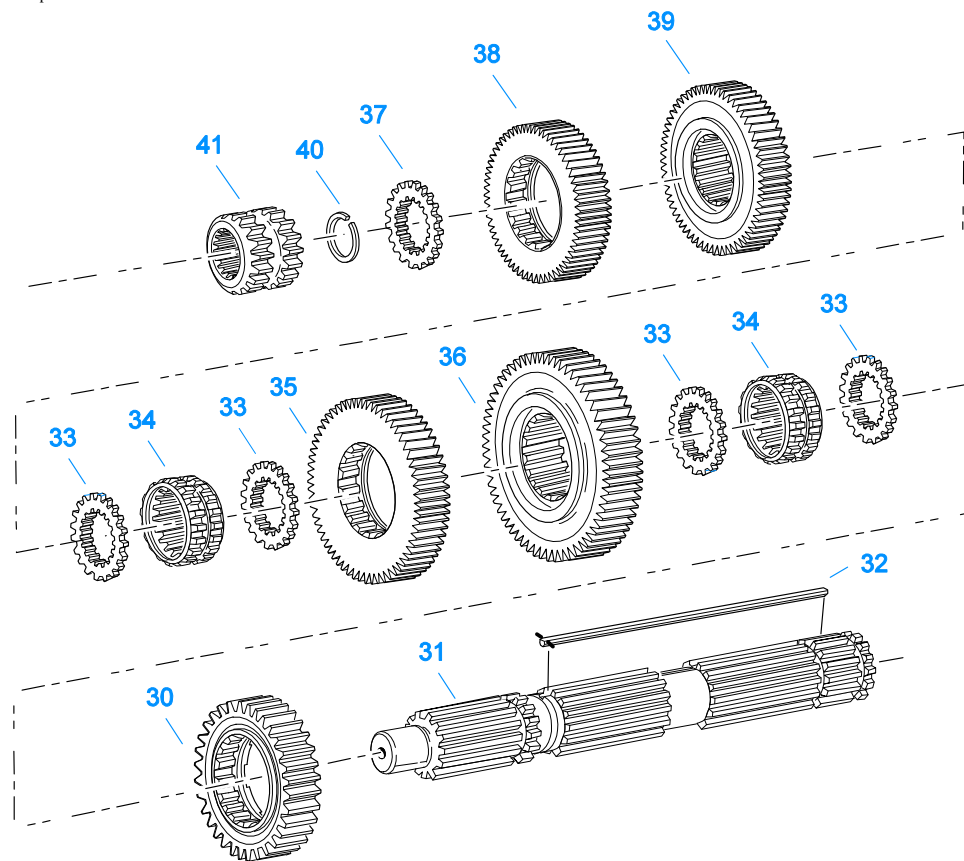
Item	Current Part	Description	Replaced Part	Qty.	Notes	Kits/Assys Where Needed
			,4304910 ,K - 1630 K - 1941			
57	X-1-500	NUT		1	5/16"-24	
58	X-3-500	LOCKWASHER		1	5/16"	
60	10427	BOOT		1		K-1476,K-2973,S-1579,S-1677,S-2130
61	K-1631	SHIFT LEVER HSG	14456 ,17168 ,4304327	1	LOW, USE W/14795 BOOT	
62	6541	PIN		1	3/8"	
63	4305294	GASKET	4303431	1		K-1476,K-1631,K-1931,K-2428,K-2429,K-2973,S-1579,S-1677,S-1806,S-2129,S-2130
64	17600	GEAR SHIFT LEVER		1	STRAIGHT - LOW 21-1/2"	
64	18482	GEAR SHIFT LEVER		1	STRAIGHT - HIGH 35"	
65	2538	RETAINER		1		K-1476,K-2973,S-1579,S-1677,S-2130
66	2536	SPRING		1		K-1476,K-2973,S-1579,S-1677,S-2130
68	K-3376	O-RING & WASHER KIT	4301211	1		
69	18299	PIN		1		K-1476,S-1677
70	K-1476	SHIFT LEVER HSG	4530 ,17163 ,18298 ,4304905 ,A - 4437	1	LOW TOWER	
71	11934	STUD	7467	4		
72	X-1-600	NUT		4	3/8"-24-N.F.PLAIN	
73	X-3-600	LOCKWASHER		4	3/8"	
74	14453	CLAMP		1		
75	14795	BOOT		1		
76	14454	CLAMP		1		
77	X-1-604	NUT		4	3/8"-24	
78	14461	PIN		1		
79	14236	NO LONGER AVAILABLE		4		
80	X-1-600	NUT		1	3/8"-24-N.F.PLAIN	
81	X-3-600	LOCKWASHER		1	3/8"	
82	17560	LEVER GRIP		1	1/2"-13	



10432-8-94

**MAINSHAFT & SYNCHRO(AUX)**

Item	Current Part	Description	Replaced Part	Qty.	Notes	Kits/Assys Where Needed
1	A-6112	SYNCHRONIZER ASSY	A - 4982	1	HI RANGE	K-2444
2	14897	SPRING		3		K-1512,K-1850,K-2444
3	16241	SLIDING CLUTCH		1		
4	A-6114	SYNCHRONIZER ASSY	A - 4983	1	LO RANGE	K-2444
25	15982	BEARING		1		K-1850
26	20835	MAINSHAFT	18666	1		
27	16247	WASHER		1		K-1512
28	19208	REDUCTION GEAR	16246	1		
29	15086	WASHER		1		K-1512
30	5946	WASHER		1		K-1512
31	6162	SPACER		1	SPEEDO REPLACEMENT	
32	12128	NUT		1		
33	81029	BEARING		1		K-1850



10326-8-94

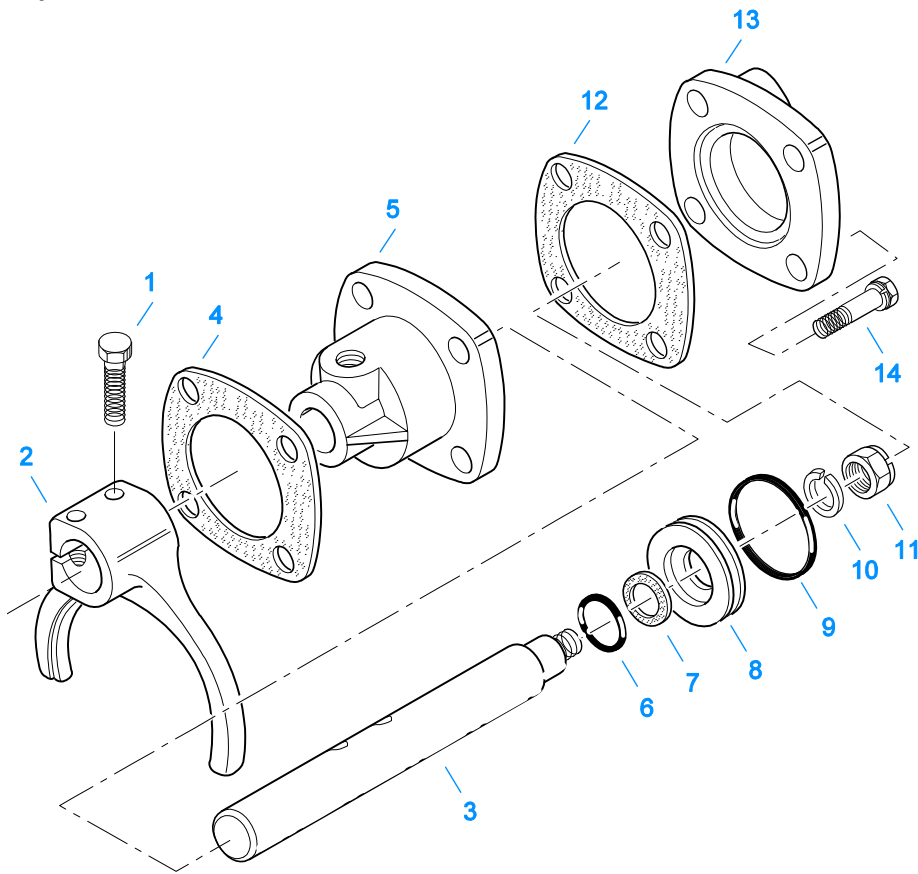
### MAINSHAFT ASSY

Item	Current Part	Description	Replaced Part	Qty.	Notes	Kits/Assys Where Needed
30	16227	REVERSE GEAR- MAINSHAFT		1		
31	18665	MAINSHAFT		1		
32	A-3990	KEY & PIN ASSY		1		
33	15446	WASHER .259-.261 ORANGE		4		K-1512
33	17259	WASHER .264-.266 PURPLE		4		K-1512
33	17260	WASHER .269-.271 YELLOW		4		K-1512
33	17261	WASHER .274-.276 BLACK		4		
33	17262	WASHER .279-.281 RED		4		
34	16226	SLIDING CLUTCH		2		
35	19206	2ND GEAR-MAINSHAFT		1		
36	19205	1ST GEAR-MAINSHAFT		1		
37	15976	WASHER .259-.261 ORANGE		1		
37	17434	WASHER .263-.265 PURPLE		1		
37	17435	WASHER .268-.270 YELLOW		1		
37	17436	WASHER .273-.275 BLACK		1		
37	17437	WASHER .278-.280 RED		1		
37	21664	WASHER .259-.261 ORANGE		1	USE W/21662 SLIDING CLUTCH	K-2018,K-2019
37	21665	WASHER .263-.265 PURPLE		1	USE W/21662 SLIDING CLUTCH	K-2018,K-2019
37	21666	WASHER .268-.270 YELLOW		1	USE W/21662 SLIDING CLUTCH	
37	21667	WASHER .273-.275 BLACK		1	USE W/21662 SLIDING CLUTCH	
37	21668	WASHER .278-.280 RED		1	USE W/21662 SLIDING CLUTCH	
38	21663	4TH GEAR-MAINSHAFT		1	USE W/21662 SLIDING CLUTCH	K-2018

Item	Current Part	Description	Replaced Part	Qty.	Notes	Kits/Assys Where Needed
38	K-2018	UPDATE KIT	19294 ,19295	1		
39	19207	3RD GEAR-MAINSHAFT		1		
40	15980	SNAP RING		1		K-1512,K-1850
41	18439	SLIDING CLUTCH		1		
41	21662	SLIDING CLUTCH		1	USE W/21663 4TH GEAR	K-2018,K-2019

## MISCELLANEOUS

Item	Current Part	Description	Replaced Part	Qty.	Notes	Kits/Assys Where Needed
18683		WARNING LABEL		1		
19064		WARNING LABEL		1		
20400		SHIFT DIAGRAM LABEL	19301	1	RT	
20401		SHIFT DIAGRAM LABEL	19302 ,88536	1	RTO	
71203		SILICONE LUBE		1	8 OZ (236.59 CC)-FLEET SIZE	
71204		ADHESIVE SEALANT		1	0.5 CC (SINGLE APPLICATION SIZE)	
71205		SEALANT		1	2 CC (SINGLE APPLICATION SIZE)	
71206		SILICONE LUBE		1	4 CC (SINGLE APPLICATION SIZE)	K-1433,K-1566,K-1699,K-1958,K-2428,K-2429

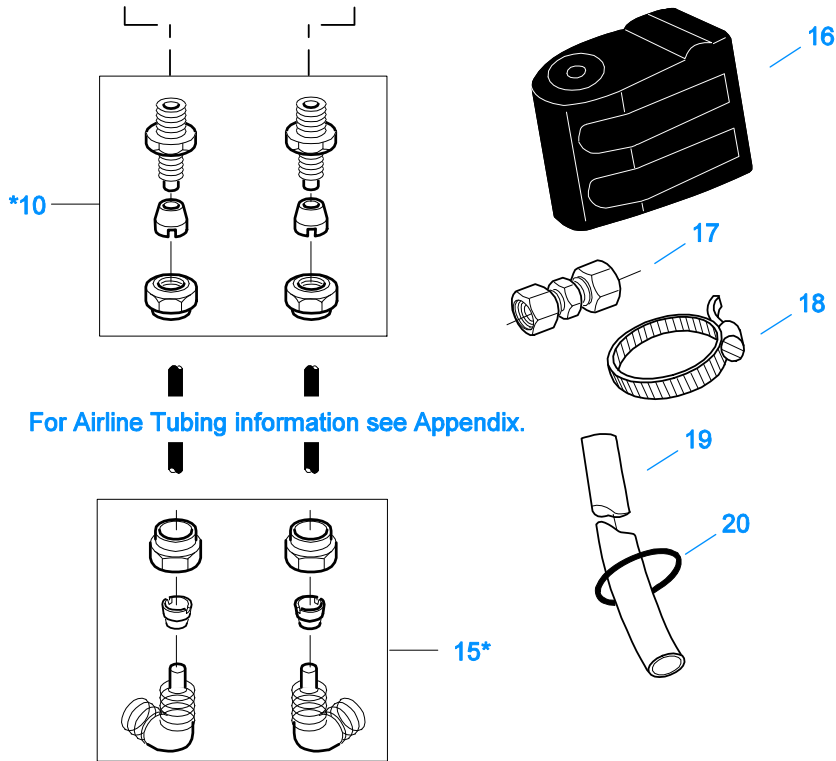
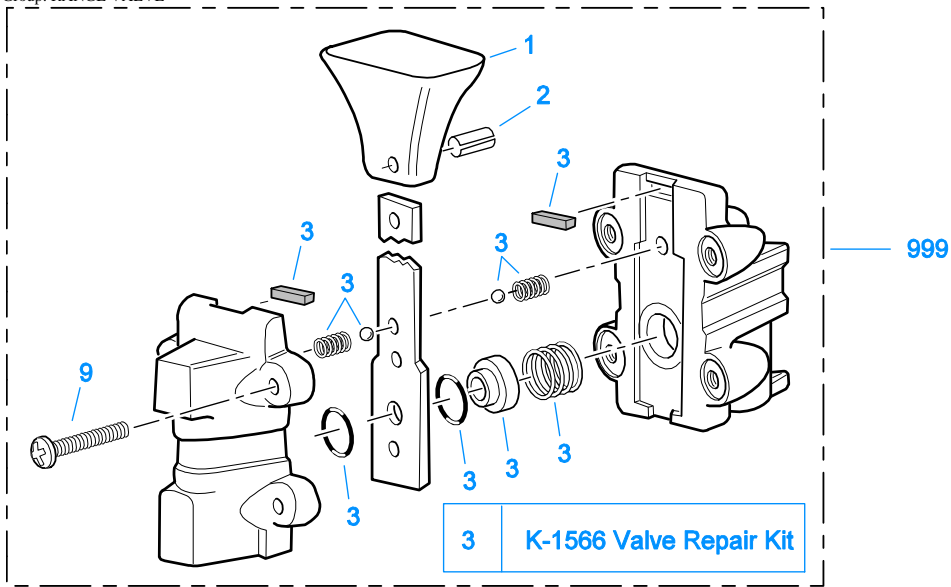


11460-8-94

## RANGE CYLINDER

Item	Current Part	Description	Replaced Part	Qty.	Notes	Kits/Assys Where Needed
1	X-7-656	CAPSCREW	X 7 628	2	3/8"-24X1-1/2"	
2	15088	SHIFT YOKE		1		
3	16242	YOKE BAR		1		
4	15062	GASKET		1		K-1433,K-1931
5	15017	AUXILIARY CYLINDER		1		K-1433
6	15093	-O- RING		1		K-1433,K-1850,K-1958
7	15091	GASKET		1		K-1433,K-1931
8	15090	PISTON		1		K-1433
9	4300329	-O- RING	15092	1		K-1433,K-1850,K-1958
10	X-3-801	LOCKWASHER		1	1/2"	
11	X-1-800	NUT		1	1/2"-20	
12	15659	GASKET		1		K-1433,K-1931
13	19598	CYLINDER COVER		1		
14	X-8L-602	CAPSCREW		4	3/8"-16X1-1/2"	





\*For Connector and Elbow Assy component information see Appendix

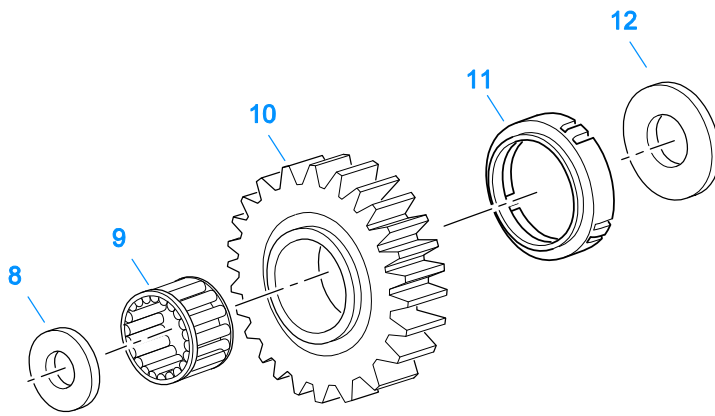
10099-5/93 AV

## RANGE VALVE

Item	Current Part	Description	Replaced Part	Qty.	Notes	Kits/Assys Where Needed
1	15120	KNOB		1		A-3546
2	62512	ROLL PIN		1		A-3546
3	K-1566	VALVE REPAIR KIT		1	FOR A-3546 VALVE	
9	X-13-214	SCREW		4	8-32X3/4"	
10	84002	CONNECTOR ASSY	82502	2	1/8" TUBE-1/8" NPTF	
10	84004	CONNECTOR ASSY	82504	2	5/32" TUBE-1/8" NPTF	
10	84006	CONNECTOR ASSY		2	"PUSH-TO-CONNECT" 5/32" TUBE-	K-2010

Item	Current Part	Description	Replaced Part	Qty.	Notes	Kits/Assys Where Needed
15	85001	ELBOW ASSY	84501	2	1/8"NPTF 5/32"TUBE-1/8"NPTF	
15	85002	ELBOW ASSY	84502	2	1/8"TUBE-1/8"NPTF	
15	85003	ELBOW ASSY		2	"PUSH-TO-CONNECT" 5/32"TUBE- 1/8"NPTF	K-2010
16	18905	NO LONGER AVAILABLE		1		
17	84101	UNION ASSY		1	1/8" TUBING	
17	84102	UNION ASSY		1	5/32" TUBING	
17	84103	UNION ASSY		1	"PUSH-TO-CONNECT" 5/32" TUBING	K-2010
18	14441	CLAMP	14465	1		
19	80120	SHEATHING (50 FT ROLL)		1	5/32" - BLACK 50'	
20	13571	-O- RING CLAMP		2		
999	A-3546	RANGE VALVE ASSY	18268 ,18269 ,18272	1		

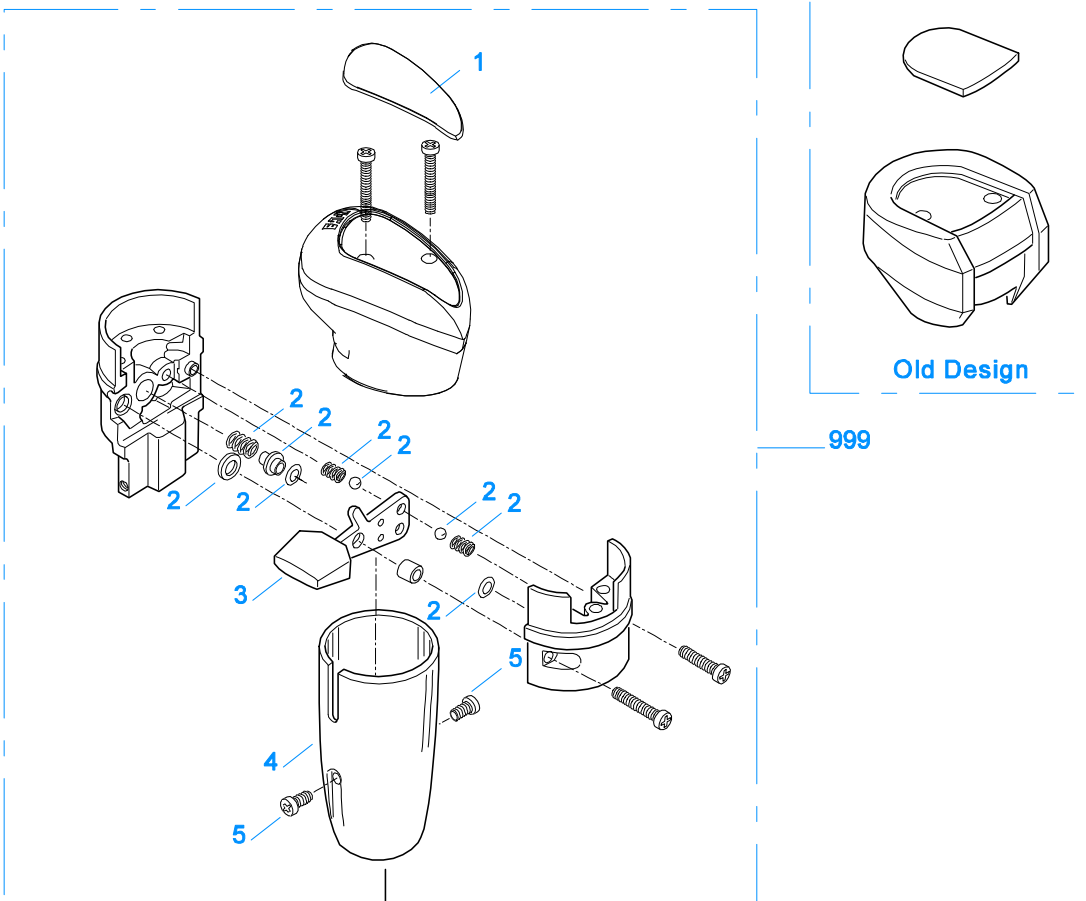
Group: REVERSE IDLER



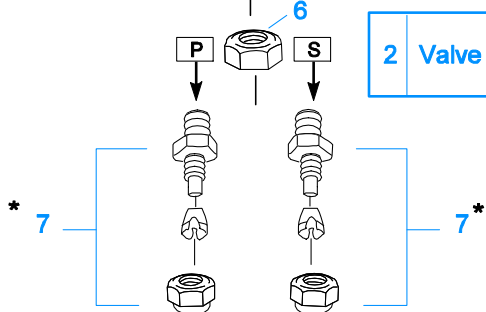
10388-1-95

### REVERSE IDLER

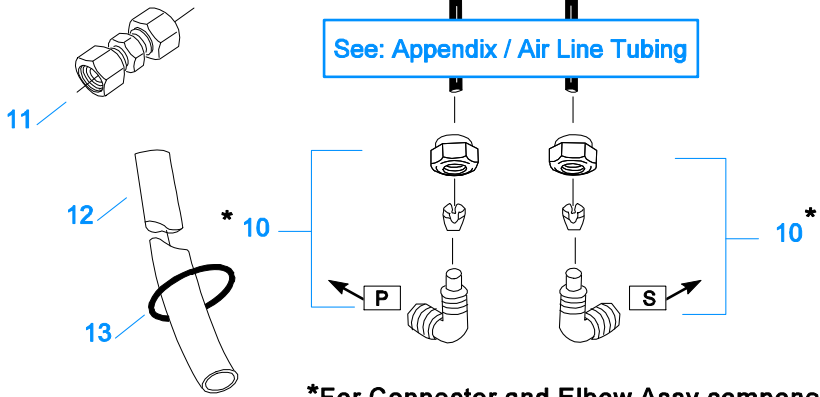
Item	Current Part	Description	Replaced Part	Qty.	Notes	Kits/Assys Where Needed
8	15078	WASHER		2		
9	15045	BEARING		2		K-1850
10	16234	IDLER GEAR		2		
11	15134	NO LONGER AVAILABLE		2		
12	15169	WASHER		2		



2 Valve Repair Kit



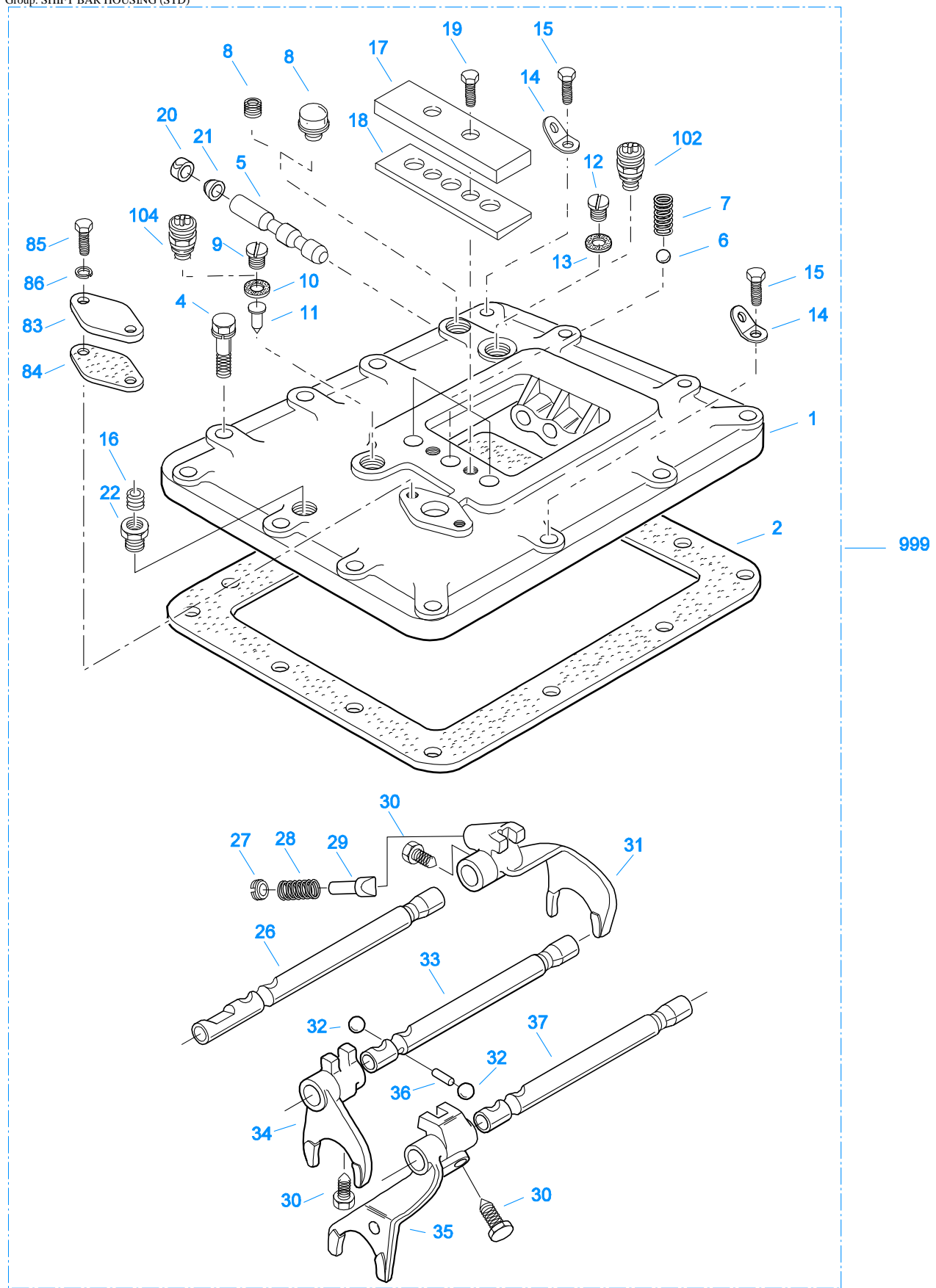
See: Appendix / Air Line Tubing



\*For Connector and Elbow Assy component information see Appendix.

## ROADRANGER VALVE

Item	Current Part	Description	Replaced Part	Qty.	Notes	Kits/Assys Where Needed
1	20107	MEDALLION, LOGO		1	(OLD DESIGN) FULLER LOGO ONLY	
1	5586100	MEDALLION, LOGO		1	(LATEST DESIGN) FULLER LOGO ONLY	A-6909
1	5586106	SHIFT DIAGRAM MEDALLION		1	RT	S-2543
1	5586107	SHIFT DIAGRAM MEDALLION		1	RTO	S-2544
2	K-1921	MASTER VALVE REPAIR KIT		1	FOR A-6909 & A-5010 VALVES	
3	20495	LEVER		1		A-6909
4	20112	COVER		1		A-6909
5	X-8-213	SCREW	X 8 202	2	8-32X3/8"	
6	X-9-802	NUT		1	1/2"-13	
7	84001	CONNECTOR ASSY	82501	2	1/8" TUBE-1/16" NPTF	
7	84003	CONNECTOR ASSY	82503	2	5/32" TUBE-1/16" NPTF	
7	84005	CONNECTOR ASSY		2	"PUSH-TO-CONNECT" 5/32" TUBE-1/16" NPTF	K-2010
10	85001	ELBOW ASSY	84501	2	5/32" TUBE-1/8" NPTF	
10	85002	ELBOW ASSY	84502	2	1/8" TUBE-1/8" NPTF	
10	85003	ELBOW ASSY		2	"PUSH-TO-CONNECT" 5/32" TUBE-1/8" NPTF	K-2010
11	84101	UNION ASSY		1	1/8" TUBING	
11	84102	UNION ASSY		1	5/32" TUBING	
11	84103	UNION ASSY		1	"PUSH-TO-CONNECT" 5/32" TUBING	K-2010
12	80120	SHEATHING (50 FT ROLL)		1	5/32" - BLACK 50'	
13	13571	-O- RING CLAMP		1		
999	A-6909	ROADRANGER VALVE ASSY	A - 5010 A - 5310	1	STANDARD-W/LOGO	K-2010
999	S-2543	ROADRANGER VALVE ASSY	A - 5043	1	RT - W/SHIFT DIAGRAM MEDALLION	
999	S-2544	ROADRANGER VALVE ASSY	A - 5045	1	RTO - W/SHIFT DIAGRAM MEDALLION	

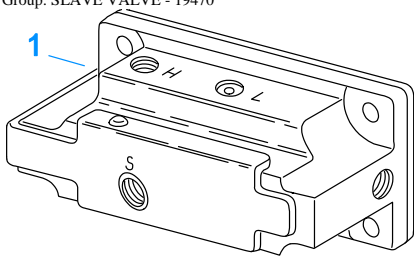


999

## SHIFT BAR HOUSING (STD)

Item	Current Part	Description	Replaced Part	Qty.	Notes	Kits/Assys Where Needed
1	S-1805	NO LONGER AVAILABLE	15888 ,17393 ,18196 ,19447 ,20311 4300409 ,4300410 ,S - 1362 ,S - 1442	1	HOUSING ONLY	
2	15605	GASKET		1		K-1931,S-1806
4	X-8L-604	CAPSCREW		13	3/8"-16X1-1/4"- OR USE 11 PCS OF X- 8L-604 WITH 2 PCS OF X-8L-602	
5	20332	AIR VALVE SHAFT	17177	1		S-1806
6	X-14-800	STEEL BALL		3	1/2"	
7	1064	SPRING		3		K-1512,S-1806
8	4304602	BREATHER	23605	1	1/4" NPT	
8	X-12-404	PIPE PLUG		1	1/4" NPT	
9	4303656	PLUG	15917	1		S-1805,S-1806
10	15900	GASKET		1		S-1805,S-1806
11	15899	PIN		1		S-1805,S-1806
12	4303655	PLUG	17178	1		S-1805,S-1806
13	17179	GASKET		1		S-1805,S-1806
14	20815	LIFTING EYE	17105	2		
15	X-8L-602	CAPSCREW		2	3/8"-16X1-1/2" USE W/20815 LIFTING EYES	
16	X-12-404	PIPE PLUG		1	1/4" NPT	
17	15132	SPRING COVER		1		S-1806
18	15133	GASKET		1		K-1931,S-1806
19	X-8L-600	CAPSCREW		2	3/8"-16X1"	
20	18217	NO LONGER AVAILABLE		1	USE W/17177 SHAFT ONLY NOT REQUIRED W/20332 SHAFT	
21	18218	NO LONGER AVAILABLE		1	USE W/17177 SHAFT ONLY NOT REQUIRED W/20332 SHAFT	
22	11970	BUSHING		1	1/4"X3/8"	S-1805,S-1806
26	15910	YOKE BAR		1	1ST/REVERSE	S-1806
27	8968	PLUG		1		S-1806
28	6392	SPRING		1		K-1512,S-1806
29	10019	PLUNGER		1		S-1806
30	3220	LOCKSCREW		3		S-1806
31	15096	SHIFT YOKE		1	1ST/REVERSE	S-1806
32	X-14-1200	STEEL BALL		2	3/4"	
33	15100	YOKE BAR		1	2ND/3RD	S-1806
34	15097	SHIFT YOKE		1	2ND/3RD	S-1806
35	16300	SHIFT YOKE		1	4TH/5TH	K-2018,K-2019,S-1806
36	1634	INTERLOCK PIN		1		K-1512,S-1806
37	15101	YOKE BAR		1	4TH/5TH	S-1806
37	20781	YOKE BAR		1	4TH/5TH-W/ROAD SPEED GOVERNOR	
83	20199	PLATE	18724	1		
84	20209	GASKET		1		
85	X-8-406	CAPSCREW		2	1/4"-20X3/4"	
86	X-3-400	LOCKWASHER		2	1/4"	
102	22941	NEUTRAL LIGHT SWITCH	12639	1	SWITCH NORMALLY CLOSED	
104	22940	REVERSE LIGHT SWITCH	16830	1	SWITCH NORMALLY OPEN	
999	S-1806	SHIFT BAR HSG ASSY (STD)	S - 1476	1	COMPLETE	

Group: SLAVE VALVE - 19470



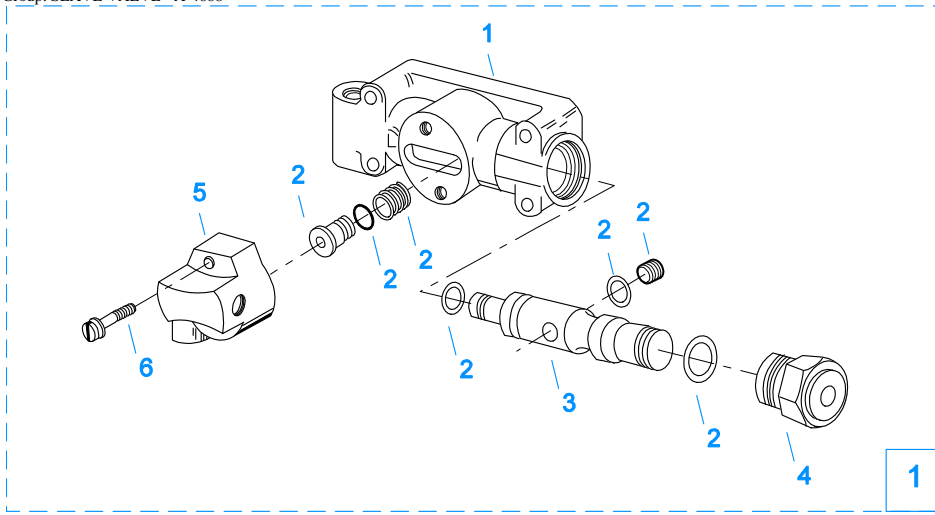
10121-1/92 19470 SV

## SLAVE VALVE - 19470

Item	Current Part	Description	Replaced Part	Qty.	Notes	Kits/Assys Where Needed
1	K-2424	VALVE REPLACEMENT KIT	19470	1		



Group: SLAVE VALVE - A-4688



2 Repair Kit

10123-5/93 A-4688

### SLAVE VALVE - A-4688

Item	Current Part	Description	Replaced Part	Qty.	Notes	Kits/Assys Where Needed
1	A-4688	SLAVE VALVE ASSY	15125 ,19464 ,A - 3991	1		
2	K-1699	REPAIR KIT-SLAVE VALVE		1	FOR A-4688 VALVE	
3	19463	PISTON	15126	1		A-4688
4	20849	CAP	15131	1		A-4688,A-5000
5	K-1613	CAP REPLACEMENT KIT	16429 ,18707	1	FOR A-4688 VALVE	
6	X-8S-401	CAPSCREW		2	1/4"-20X1-1/8"	



10120-10-97 A-5000 SV

2 Repair Kit

### SLAVE VALVE - A-5000

Item	Current Part	Description	Replaced Part	Qty.	Notes	Kits/Assys Where Needed
1	A-5000	SLAVE VALVE ASSY	20850	1		K-2424
2	K-1935	REPAIR KIT-SLAVE VALVE		1	FOR A-5000 VALVE	
3	20855	PLUG		1		A-5000
4	20854	PISTON		1		A-5000
5	20849	CAP	15131	1		A-4688,A-5000
7	S-1516	CAP ASSY	20851 ,20853	1		
8	X-8C-413	CAPSCREW		3	1/4"-20X1-1/2"	



