



**Roadranger®**

More time on the road®

# Illustrated Parts List

---

**RTLO-14618A**  
**July 2011**

## Contents

|   |    |
|---|----|
| How To Use The Illustrated Parts List ..... | 3  |
| AUXILIARY DRIVE GEAR.....                   | 4  |
| CASE (AUX) .....                            | 5  |
| CASE (FRONT) .....                          | 7  |
| COUNTERSHAFT & BRGS(AUX).....               | 9  |
| COUNTERSHAFT ASSY .....                     | 10 |
| FILTER REGULATOR.....                       | 11 |
| H & C W/19470 VALVE .....                   | 12 |
| H & C W/A-5000 VALVE.....                   | 13 |
| INPUT SHAFT & DRIVE GEAR .....              | 14 |
| INTEGRAL OIL PUMP .....                     | 15 |
| ISOLATORS .....                             | 17 |
| KITS & ASSEMBLIES .....                     | 18 |
| LEVERS/HOUSINGS .....                       | 19 |
| MAINSHAFT & SYNCHRO(AUX).....               | 21 |
| MAINSHAFT ASSY .....                        | 22 |
| MISCELLANEOUS .....                         | 24 |
| OIL COOLER.....                             | 25 |
| RANGE CYLINDER.....                         | 26 |
| REVERSE IDLER.....                          | 27 |
| ROADRANGER VALVES .....                     | 30 |
| SHIFT BAR HOUSING (STD).....                | 31 |
| SLAVE VALVE - 19470.....                    | 33 |
| SLAVE VALVE - A-5000.....                   | 34 |
| SPLITTER CYLINDER .....                     | 35 |

## How To Use The Illustrated Parts List

The information contained in this document is subject to frequent updates. Therefore, for the latest information available, please visit the interactive Electronic Parts Catalog at [www.roadranger.com/epc](http://www.roadranger.com/epc).

### Model Designation or Nomenclature

- For information regarding Model Designation and Nomenclature, visit [www.roadranger.com](http://www.roadranger.com).

### Kits and Assemblies (K/A's)

- Kits and Assemblies contain groups of individual or assembled parts developed for optimal replacement or repair of a service problem.
- Kits and Assemblies are shown with applicable parts groupings in the parts listings.

### Identifying Kits and Assemblies

A- Part numbers beginning with the letter 'A' are pre-assembled Production Assemblies

K- Part numbers beginning with the letter 'K' are kits that are not assembled

S- Part numbers beginning with the letter 'S' are pre-assembled Service Assemblies

- Note: Some Production Assemblies do not begin with a letter prefix (Midrange only).

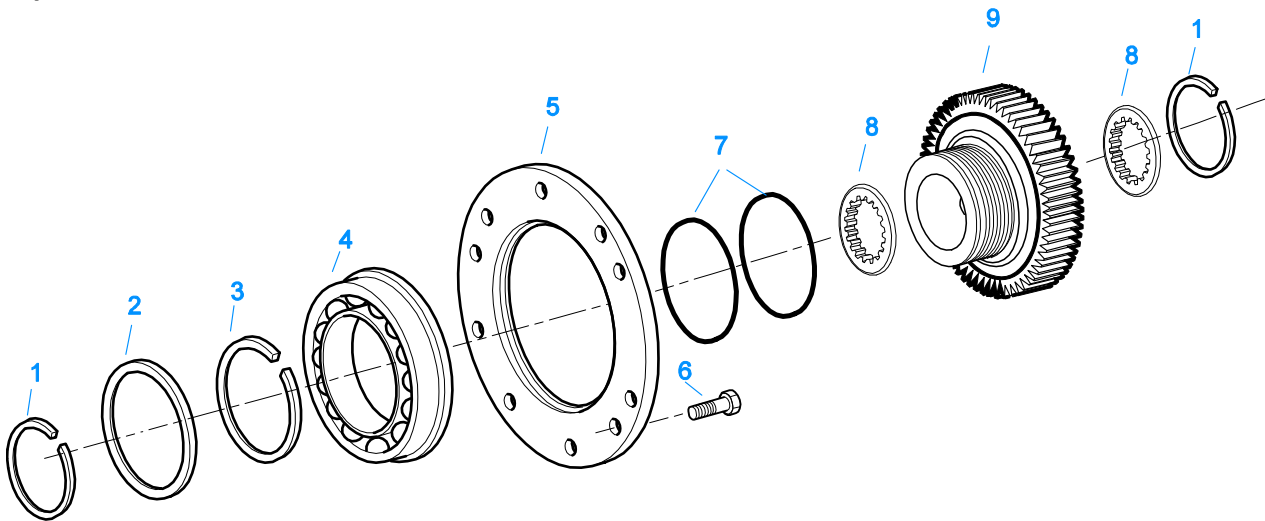
### Illustrations

- Illustrations show parts in assembly groups.
- Item numbers on illustrations correspond with parts listings on pages adjacent to the illustration.
- Notes are included on illustrations where additional information is needed.

### Parts Listing

Parts listings are defined by parts groupings and are broken down by service assemblies. Parts listings identify a part for servicing with the following categories

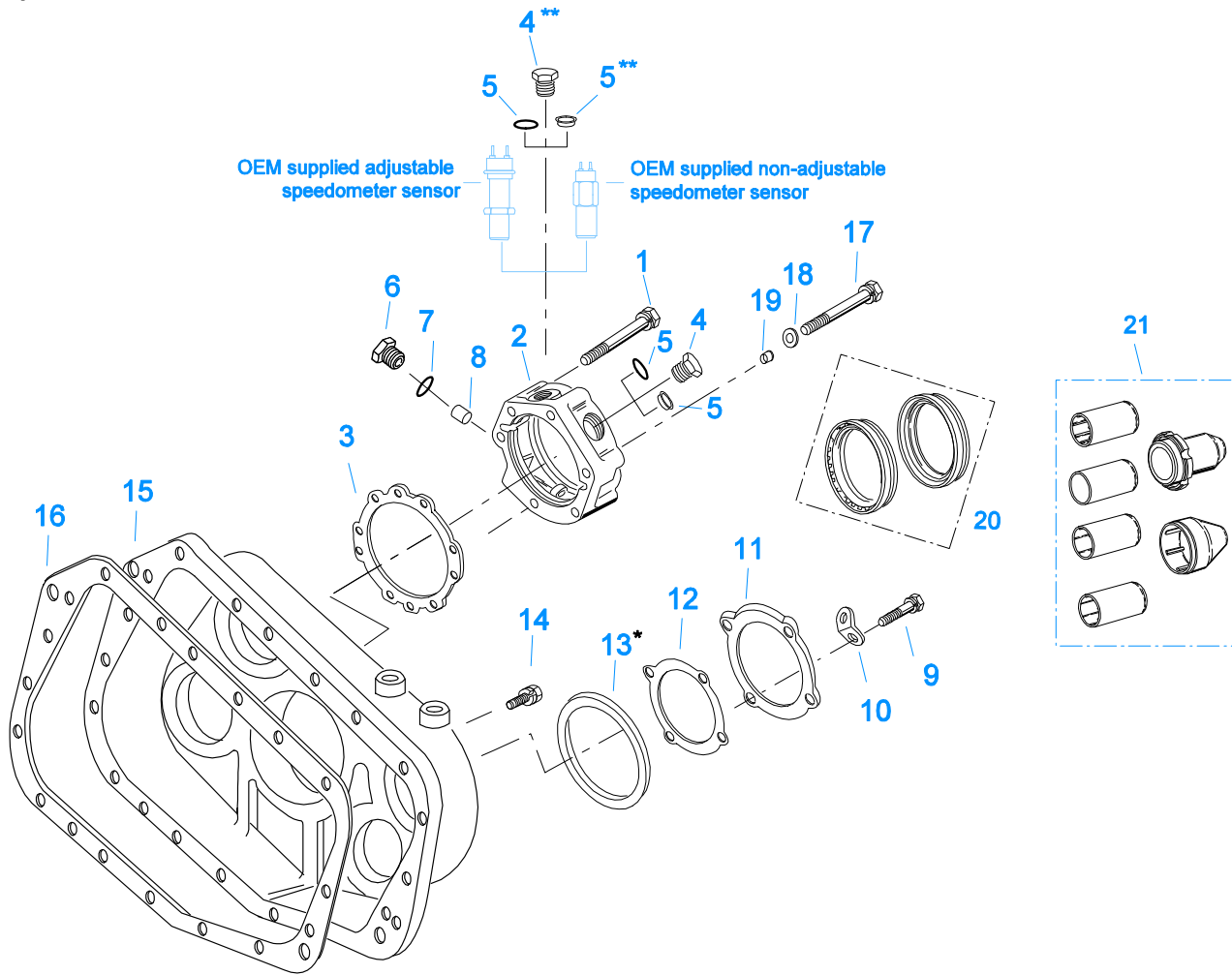
- **Item Number** - corresponding with numbers on illustrations for part identification.
- **Current Part** - identifies part as it is available for service.
- **Description** - specifies part name or description.
- **Replaced Part** - quantity quantity required for assembly.
- **Quantity** - defines unique characteristics or requirements.
- **Notes** - indicates Kits or Assemblies that contain a particular part.
- **Kits/Assy's Where Used**



10481-12/92 Aux DG

## AUXILIARY DRIVE GEAR

| Item | Current Part | Description          | Replaced Part              | Qty. | Notes      | Kits/Assys Where Needed |
|------|--------------|----------------------|----------------------------|------|------------|-------------------------|
| 1    | 16763        | SNAP RING            |                            | 2    |            | K-2433,K-2993,K-2996    |
| 2    | 21320        | SNAP RING RETAINER   |                            | 1    |            | K-3189                  |
| 3    | 16628        | SNAP RING            |                            | 1    |            | K-2433                  |
| 4    | 5566507-BOX  | BEARING              | 5566504,5566507            | 1    |            | K-2993,K-2996           |
| 5    | 16138        | BEARING RETAINER     |                            | 1    |            |                         |
| 6    | X-8-645      | CAPSCREW             | X 8 612                    | 1    | 3/8"-16X1" |                         |
| 7    | 17453        | -O- RING             |                            | 2    |            |                         |
| 8    | 21599        | WASHER               |                            | 2    |            | K-2993,K-2996,K-3189    |
| 9    | K-3189       | REPLT KIT-DRIVE GEAR | 4300467 ,4303558 ,K - 2312 | 1    |            |                         |



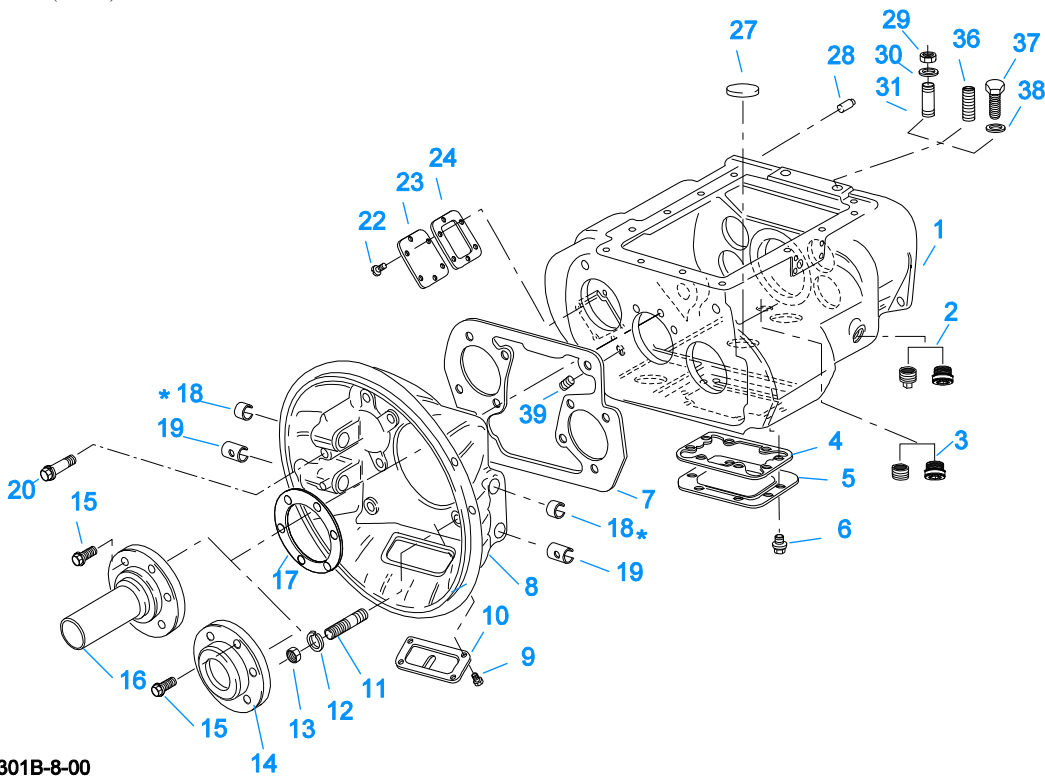
**\*\* Note — Items 4 & 5 / Magnetic Speedometer Openings:**  
 Use 13679 "O" ring w/ OEM supplied adjustable speedometer sensor  
 and 20225 "O" ring w/ OEM supplied non-adjustable speedometer sensor or Eaton part #20224 Plug  
 \* See Service Manual for Proper Shimming Procedure

10402-9/93 Aux Case 18/13 spd

**CASE (AUX)**

| Item | Current Part | Description         | Replaced Part   | Qty. | Notes  | Kits/Assys Where Needed |
|------|--------------|---------------------|---|------|--|-------------------------|
| 1    | X-8L-611     | CAPSCREW            |   | 5    | 3/8"-16X3-1/4"   |                         |
| 2    | S-2119       | REAR BRG COVER ASSY | 20048 ,22045 ,4302009<br>,4302031 ,S - 1558 S -<br>1560 | 1    | EXTENDED   |                         |
| 3    | 15532        | GASKET              |   | 1    |  | K-2199,K-2262,S-2119    |
| 4    | 20224        | PLUG-MAGNETIC       |   | 2    |  | S-1892,S-2119           |
| 5    | 13679        | -O- RING            |   | 1    | USE W/OEM SUPPLIED<br>ADJUSTABLE SPEEDOMETER<br>SENSOR                   |                         |
| 5    | 20225        | -O- RING            |   | 2    | USE W/20224 PLUG OR OEM<br>SUPPLIED NON-ADJUSTABLE<br>SPEEDOMETER SENSOR |                         |
| 6    | 20226        | PLUG-MECHANICAL     | 2237  | 1    |  | S-1892,S-2119           |
| 7    | 14142        | -O- RING            |   | 1    |  | S-1892,S-2119           |
| 8    | 7992         | BUSHING             |   | 1    |  | S-2119                  |
| 9    | X-8L-604     | CAPSCREW            |   | 8    | 3/8"-16X1-1/4"   |                         |
| 10   | 20815        | LIFTING EYE         | 17105   | 2    |  | S-1892                  |
| 11   | 4300925      | REAR BEARING COVER  | 4300185   | 2    |  | S-1892                  |
| 12   | 4300186      | GASKET              |   | 2    |  | K-2199,S-1892           |
| 13   | K-2430       | SHIM KIT            | 21452   | 1    |  | K-2338,K-2993,K-        |

| Item | Current Part | Description            | Replaced Part     | Qty. | Notes                           | Kits/Assys Where Needed |
|------|--------------|------------------------|-------------------|------|---------------------------------|-------------------------|
| 13   | K-2431       | SHIM KIT               |                   | 1    | FOR AUXILIARY COUNTERSHAFT PUMP | 2996,S-1892             |
| 14   | X-8L-602     | CAPSCREW               |                   | 9    | 3/8"-16X1-1/2"                  |                         |
| 14   | X-8L-604     | CAPSCREW               |                   | 8    | 3/8"-16X1-1/4"                  |                         |
| 14   | X-8L-614     | CAPSCREWEW             |                   | 2    | 3/8"-16X2"                      |                         |
| 15   | S-2986       | REAR HOUSING CASE ASSY | 4300181 ,4300863  | 1    |                                 |                         |
| 16   | 14335        | GASKET                 |                   | 1    |                                 | K-2199,S-1892           |
| 17   | X-8-611      | CAPSCREW               |                   | 1    | 3/8"-16X3-1/4"                  |                         |
| 18   | 17106        | GASKET                 |                   | 1    |                                 | K-2199,K-2262,S-2119    |
| 19   | 19709        | COLLAR                 |                   | 1    |                                 | K-2199,K-2262,S-2119    |
| 20   | K-2262       | OIL SEAL W/SLINGER     | 19109 20807 20808 | 1    | "FOR MECHANICAL COVER"          | K-2338,K-2993,K-2996    |
| 21   | K-3651       | OIL SEAL TOOL KIT      |                   | 1    |                                 |                         |



10301B-8-00

\* Bushing quantity requirements: #1 Housing – Upper bore use 4 #12815 / Lower bore use 2 #8677.

#2 Housing – Upper bore use 2 #12815 and 1 #8677 / Lower bore use 2 #8677.

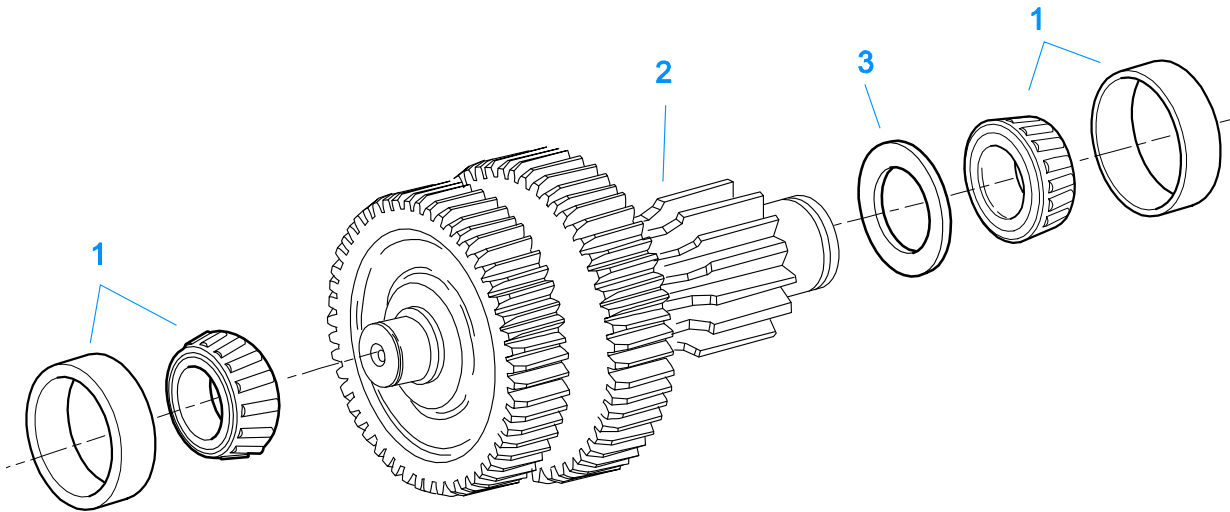
Note: Some part requirements are specific to #1 or #2 Clutch Housings and Push or Pull type Clutch.

**CASE (FRONT)**

| Item | Current Part | Description           | Replaced Part                         | Qty. | Notes                                    | Kits/Assys Where Needed |
|------|--------------|-----------------------|---------------------------------------|------|--|-------------------------|
| 1    | S-1820       | CASE ASSY             | 4300445                               | 1    | FOR USE W/INTEGRAL PUMP                  |                         |
| 1    | S-1888       | CASE ASSY             | 4300590                               | 1    |  |                         |
| 2    | 4304023      | PLUG                  | 4303747                               | 1    | 1-1/16" MAGNETIC, O-RING INCLUDED        |                         |
| 2    | X-12-2007    | PIPE PLUG             | X12 2006                              | 1    |  |                         |
| 3    | 4304023      | PLUG                  | 4303747                               | 1    | 1-1/16" MAGNETIC, O-RING INCLUDED        |                         |
| 3    | X-12-1207    | PIPE PLUG             | X12 1202 ,X12 1206                    | 1    | 3/4" MAGNETIC                            |                         |
| 4    | 4305310      | GASKET                | 4302810                               | 1    |  | K-2199                  |
| 5    | 4302809      | PTO COVER             | 16596 ,4300571                        | 1    |  |                         |
| 6    | X-8-725      | CAPSCREW              | X 8 724                               | 8    | 7/16"-14X7/8"                            |                         |
| 7    | 4306584      | CLUTCH HOUSING GASKET | 4304815,4305668                       | 1    |  | K-2199                  |
| 8    | A-3713       | CLUTCH HOUSING ASSY   | A - 3700                              | 1    | #1 PUSH-PULL IRON                        |                         |
| 8    | A-3723       | CLUTCH HOUSING ASSY   | A - 3721 ,A - 3722                    | 1    | #2 PUSH-PULL IRON                        |                         |
| 9    | 239614       | SCREW                 | X-8L-509                              | 4    | 5/16-18X.81 QUANTITY DEPENDENT ON DESIGN |                         |
| 10   | 14506        | HAND HOLE COVER       |                                       | 1    | #2 PUSH                                  |                         |
| 10   | 14507        | HAND HOLE COVER       |                                       | 1    | #2 PULL                                  |                         |
| 10   | 4305230      | HAND HOLE COVER       | 11453                                 | 1    | #1 PULL                                  |                         |
| 10   | 4305231      | HAND HOLE COVER       | 1565                                  | 1    | #1 PUSH                                  |                         |
| 11   | 4306583      | STUD                  | 5966                                  | 6    |  |                         |
| 12   | X-10-1005    | WASHER                | X 3 1000 ,X10 1000 ,X10 1004 X-1-1005 | 6    | 1.23 X 6.60                              |                         |
| 13   | X-1-1012     | HEX NUT               |                                       | 6    | .625-18                                  |                         |
| 14   | 20550        | FRONT BRG COVER       |                                       | 1    | 2" PULL                                  | K-2468,K-4125           |
| 15   | X-8L-604     | CAPSCREW              |                                       | 6    | 3/8"-16X1-1/4"                           |                         |
| 16   | 20549        | FRONT BRG COVER       |                                       | 1    | 2" PUSH                                  |                         |
| 17   | 14311        | GASKET                |                                       | 1    |  | K-2199                  |
| 18   | 12815        | BUSHING               |                                       | 4    | FOR #1 HOUSING - UPPER                   | A-3713,A-3723,K-2468    |
| 18   | 12815        | BUSHING               |                                       | 2    | FOR #2 HOUSING - UPPER                   | A-3713,A-3723,K-2468    |
| 18   | 8677         | BUSHING               |                                       | 1    | FOR #2 HOUSING - UPPER                   | A-3713,A-3723           |

| Item | Current Part | Description                   | Replaced Part                   | Qty. | Notes                             | Kits/Assys Where Needed |
|------|--------------|-------------------------------|---------------------------------|------|-----------------------------------|-------------------------|
| 19   | 8677         | BUSHING                       |                                 | 3    | FOR #1 AND #2 HOUSING - LOWER     | A-3713,A-3723           |
| 20   | X-8C-830     | HEX HEAD<br>SCREW/WASHER ASSY | X-8C-826                        | 2    | .500-13 X 1.490, FOR IRON HOUSING |                         |
| 20   | X-8C-831     | HEX HEAD<br>SCREW/WASHER ASSY | X-8C-822                        | 2    | .500-13 X 3.460, FOR IRON HOUSING |                         |
| 22   | X-8-686      | CAPSCREW                      |                                 | 6    | 3/8"-16X3/4"                      |                         |
| 23   | 14575        | PTO COVER                     | 4302254                         | 1    |                                   |                         |
| 24   | 4305309      | GASKET                        | 1684                            | 1    |                                   | K-2199                  |
| 27   | 14373        | MAGNET                        |                                 | 3    |                                   | S-1820,S-1888           |
| 28   | 18128        | PIN                           |                                 | 2    |                                   |                         |
| 29   | X-1-1012     | HEX NUT                       |                                 | 2    | .625-18                           |                         |
| 30   | X-10-1005    | WASHER                        | X 3 1000 ,X10 1000<br>,X10 1004 | 2    | 1.23 X 6.60                       |                         |
| 31   | 14554        | STUD                          | 1632 ,6579                      | 2    | 5/8" X 2-3/16"                    |                         |
| 36   | 23104        | PLUG                          | 1712                            | 2    |                                   |                         |
| 37   | X-8-1005     | CAPSCREW                      |                                 | 2    | 5/8"-11X1-1/4"                    |                         |
| 38   | 20814        | SPACER                        |                                 | 2    |                                   |                         |
| 39   | X-12-802     | PIPE PLUG                     | X12 800                         | 1    | 1/2"                              |                         |

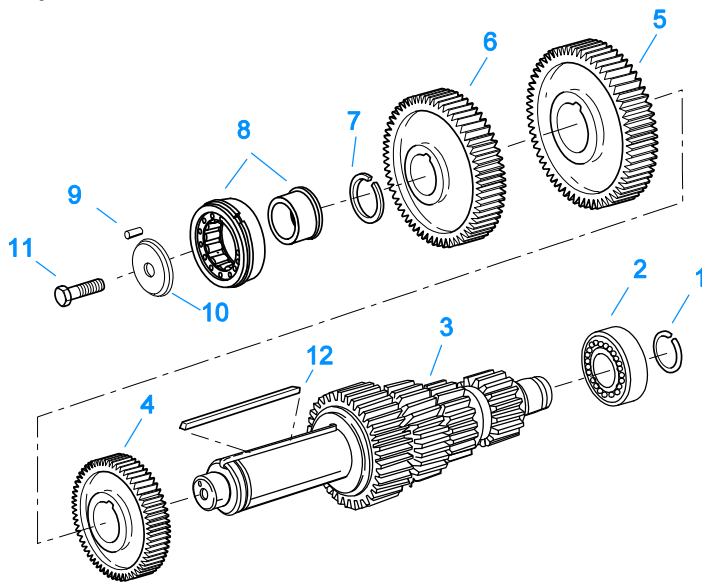




10441-4/92 Aux CS 13/18 spd

### COUNTERSHAFT & BRGS(AUX)

| Item | Current Part | Description              | Replaced Part      | Qty. | Notes                                 | Kits/Assys Where Needed |
|------|--------------|--------------------------|--------------------|------|---------------------------------------|-------------------------|
| 1    | 4302074-BOX  | BEARING                  | 21343,4302074      | 4    |                                       | K-2338,K-2993,K-2996    |
| 2    | A-6840       | WELDED COUNTERSHAFT ASSY | A - 5747 ,A - 5899 | 2    | C/S 4303902 - D/G 4300783 S/G 4300396 |                         |
| 3    | 4300184      | SPACER                   |                    | 2    |                                       |                         |



10342-4/92 CS/RTLO

## COUNTERSHAFT ASSY

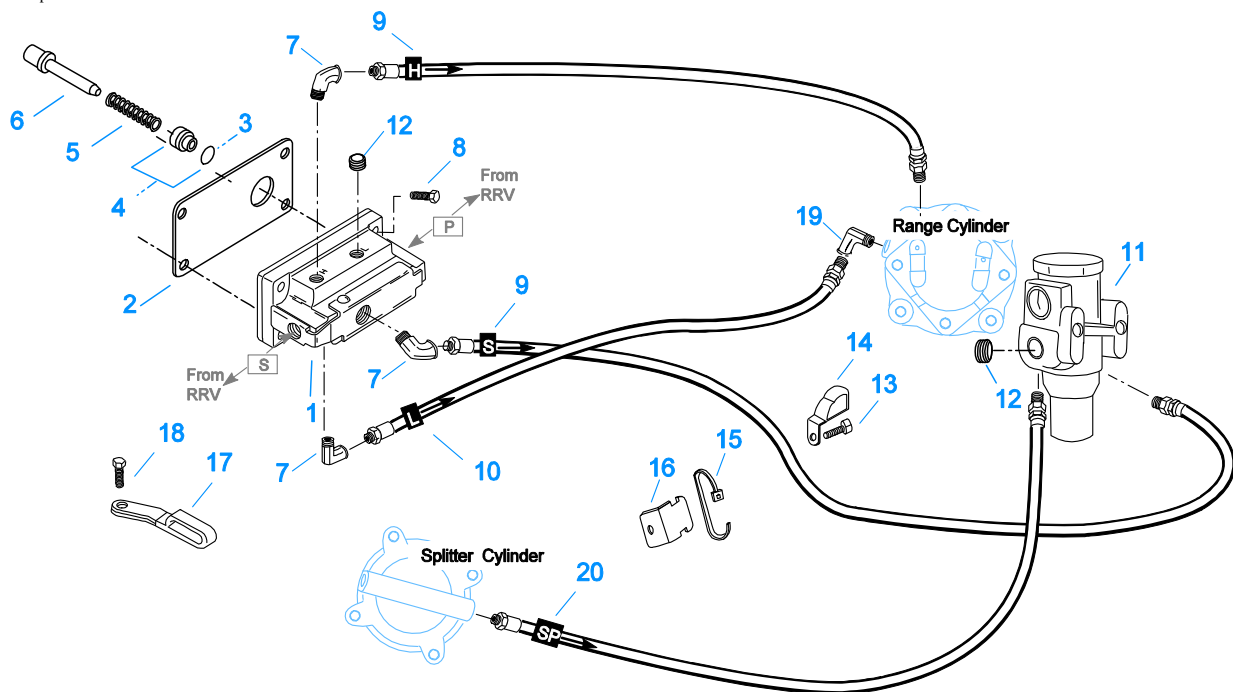
| Item | Current Part | Description          | Replaced Part                          | Qty. | Notes                              | Kits/Assys Where Needed |
|------|--------------|----------------------|--|------|------------------------------------|-------------------------|
| 1    | 14317        | SNAP RING            |  | 2    |                                    | K-2433,K-2993,K-2996    |
| 2    | 4303031      | BEARING              | 14366                                  | 2    |                                    | K-2993,K-2996           |
| 3    | A-6689       | CNTRSHFT W/1ST & 2ND | A - 5746 ,A - 5873 ,K - 2939 ,K - 2968 | 2    |                                    |                         |
| 4    | 21588        | 3RD GEAR-CNTRSHFT    |  | 2    |                                    |                         |
| 5    | 15953        | PTO GEAR - LOWER     |  | 1    |                                    |                         |
| 5    | 16390        | NO LONGER AVAILABLE  |  | 2    | OPTIONAL IF PTO GEARS ARE NOT USED |                         |
| 5    | 20840        | PTO GEAR - UPPER     | 15952                                  | 1    |                                    |                         |
| 6    | 21586        | DRIVE GEAR-CNTRSHFT  | 22271                                  | 2    |                                    |                         |
| 7    | 19198        | SNAP RING            |  | 2    |                                    |                         |
| 8    | 4304599      | BEARING              | 4302677 4304598                        | 2    |                                    | K-2993,K-2996           |
| 9    | 62511        | ROLL PIN             |  | 2    |                                    | A-6689,K-2433           |
| 10   | 4304605      | RETAINER             | 19548                                  | 2    | ROLL PIN NO LONGER REQUIRED        |                         |
| 11   | X-7-1005     | CAPSCREW             |  | 2    | 5/8"-18X1-3/4"                     |                         |
| 12   | 4304840      | KEY                  | 19673                                  | 1    | KEY INCLUDED IN COUNTERSHAFT ASSY  | A-6689                  |

Group: FILTER REGULATOR



## FILTER REGULATOR

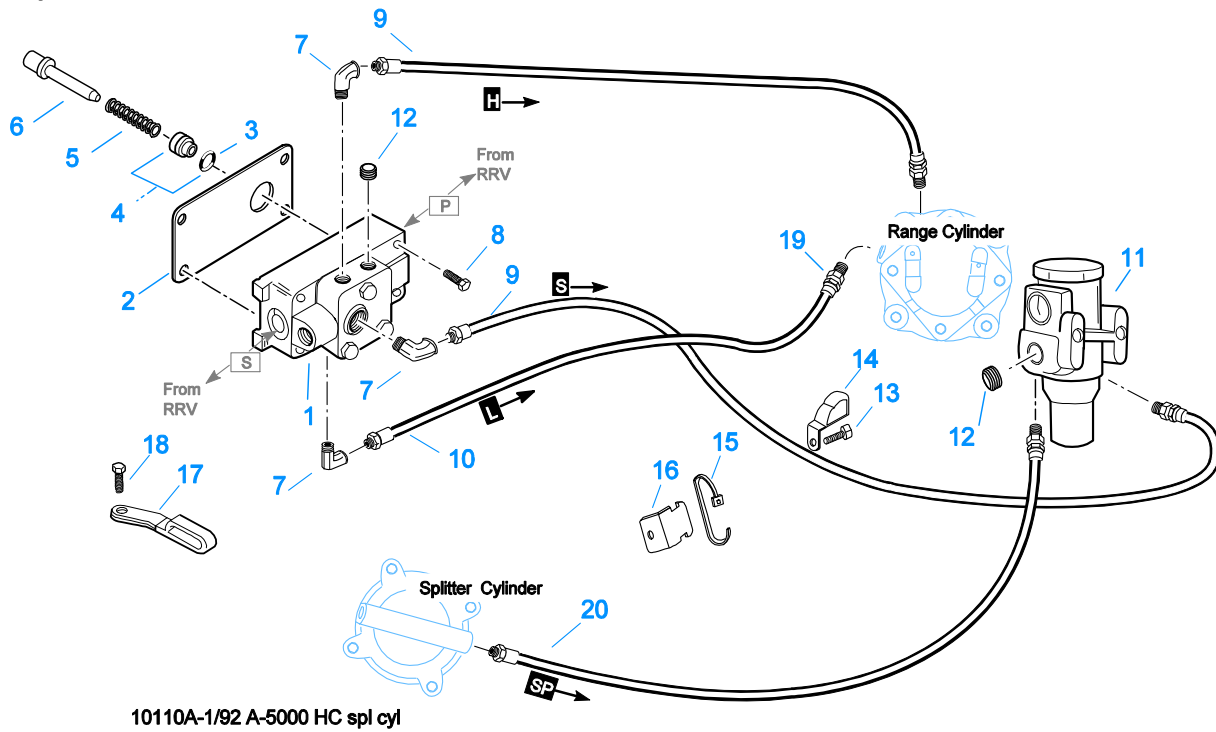
| Item | Current Part | Description          | Replaced Part | Qty. | Notes                | Kits/Assys Where Needed |
|------|--------------|----------------------|---------------|------|----------------------|-------------------------|
| 1    | A-4740       | FILTER/REGULATOR     | 19600         | 1    |                      |                         |
| 2    | K-1698       | -O- RING/ELEMENT KIT |               | 1    | FOR FILTER REGULATOR |                         |
| 3    | X-8C-412     | CAPSCREW             | X 8S 412      | 2    | 1/4"-20X2-1/4"       |                         |



10111A-1/92 19470 HC spl cyl

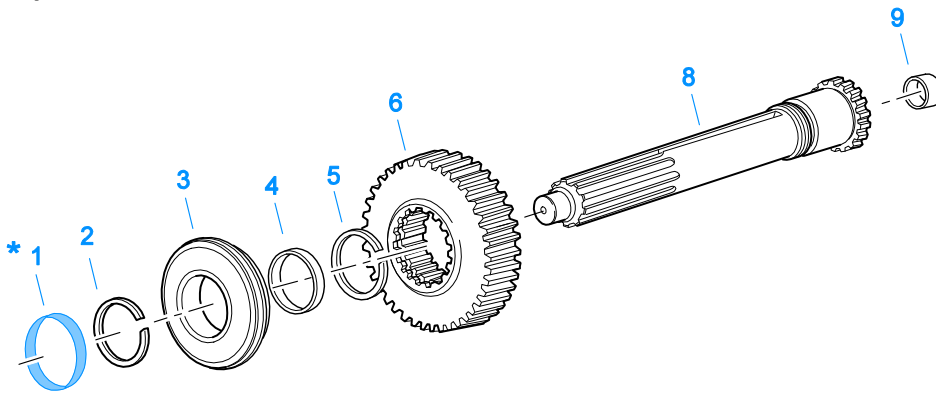
### H & C W/19470 VALVE

| Item | Current Part | Description           | Replaced Part       | Qty. | Notes            | Kits/Assys Where Needed |
|------|--------------|-----------------------|---------------------|------|------------------|-------------------------|
| 1    | K-2424       | VALVE REPLACEMENT KIT | 19470               | 1    |                  |                         |
| 2    | 19481        | GASKET                |                     | 1    |                  | K-2199,K-2424           |
| 3    | 19462        | -O- RING              | 14033               | 1    |                  | K-1969                  |
| 4    | K-1969       | SLEEVE KIT            | 14362 ,19460 ,21446 | 1    | FOR SLAVE VALVES |                         |
| 5    | 21268        | SPRING                | 19572               | 1    |                  |                         |
| 6    | 20490        | PIN                   | 19459               | 1    |                  |                         |
| 7    | 12845        | ELBOW                 |                     | 3    | 1/8"             |                         |
| 8    | X-8C-401     | CAPSCREW              |                     | 4    | 1/4"-20X1-1/8"   |                         |
| 9    | 55509        | HOSE ASSY             |                     | 2    | 34"              |                         |
| 10   | 55518        | HOSE ASSY             |                     | 1    | 32"              |                         |
| 11   | A-4740       | FILTER/REGULATOR      | 19600               | 1    |                  |                         |
| 12   | X-12-208     | PIPE PLUG             |                     | 2    | 1/8" NPT         |                         |
| 13   | X-8L-601     | CAPSCREW              |                     | 1    | 3/8"-16X3/4"     |                         |
| 14   | 21427        | HOSE CLAMP            |                     | 1    |                  |                         |
| 15   | 21425        | STRAP                 |                     | 1    |                  |                         |
| 16   | 21426        | BRACKET               |                     | 1    |                  |                         |
| 17   | 21428        | HOSE CLAMP            |                     | 1    |                  |                         |
| 18   | X-8L-604     | CAPSCREW              |                     | 1    | 3/8"-16X1-1/4"   |                         |
| 19   | 12880        | ELBOW                 |                     | 1    | 1/8"             |                         |
| 20   | 55527        | HOSE ASSY             |                     | 1    | 15"              |                         |



### H & C W/A-5000 VALVE

| Item | Current Part | Description      | Replaced Part       | Qty. | Notes            | Kits/Assys Where Needed |
|------|--------------|------------------|---------------------|------|------------------|-------------------------|
| 1    | A-5000       | SLAVE VALVE ASSY | 20850               | 1    |                  | K-2424                  |
| 2    | 19481        | GASKET           |                     | 1    |                  | K-2199,K-2424           |
| 3    | 19462        | -O- RING         | 14033               | 1    |                  | K-1969                  |
| 4    | K-1969       | SLEEVE KIT       | 14362 ,19460 ,21446 | 1    | FOR SLAVE VALVES |                         |
| 5    | 21268        | SPRING           | 19572               | 1    |                  |                         |
| 6    | 20490        | PIN              | 19459               | 1    |                  |                         |
| 7    | 12845        | ELBOW            |                     | 3    | 1/8"             |                         |
| 8    | X-8C-411     | CAPSCREW         |                     | 4    | 1/4"-20X1-3/4"   |                         |
| 9    | 55509        | HOSE ASSY        |                     | 2    | 34"              |                         |
| 10   | 55518        | HOSE ASSY        |                     | 1    | 32"              |                         |
| 11   | A-4740       | FILTER/REGULATOR | 19600               | 1    |                  |                         |
| 12   | X-12-208     | PIPE PLUG        |                     | 2    | 1/8" NPT         |                         |
| 13   | X-8L-604     | CAPSCREW         |                     | 1    | 3/8"-16X1-1/4"   |                         |
| 14   | 21427        | HOSE CLAMP       |                     | 1    |                  |                         |
| 15   | 21425        | STRAP            |                     | 1    |                  |                         |
| 16   | 21426        | BRACKET          |                     | 1    |                  |                         |
| 17   | 21428        | HOSE CLAMP       |                     | 1    |                  |                         |
| 18   | X-8L-604     | CAPSCREW         |                     | 1    | 3/8"-16X1-1/4"   |                         |
| 19   | 12880        | ELBOW            |                     | 1    | 1/8"             |                         |
| 20   | 55527        | HOSE ASSY        |                     | 1    | 15"              |                         |



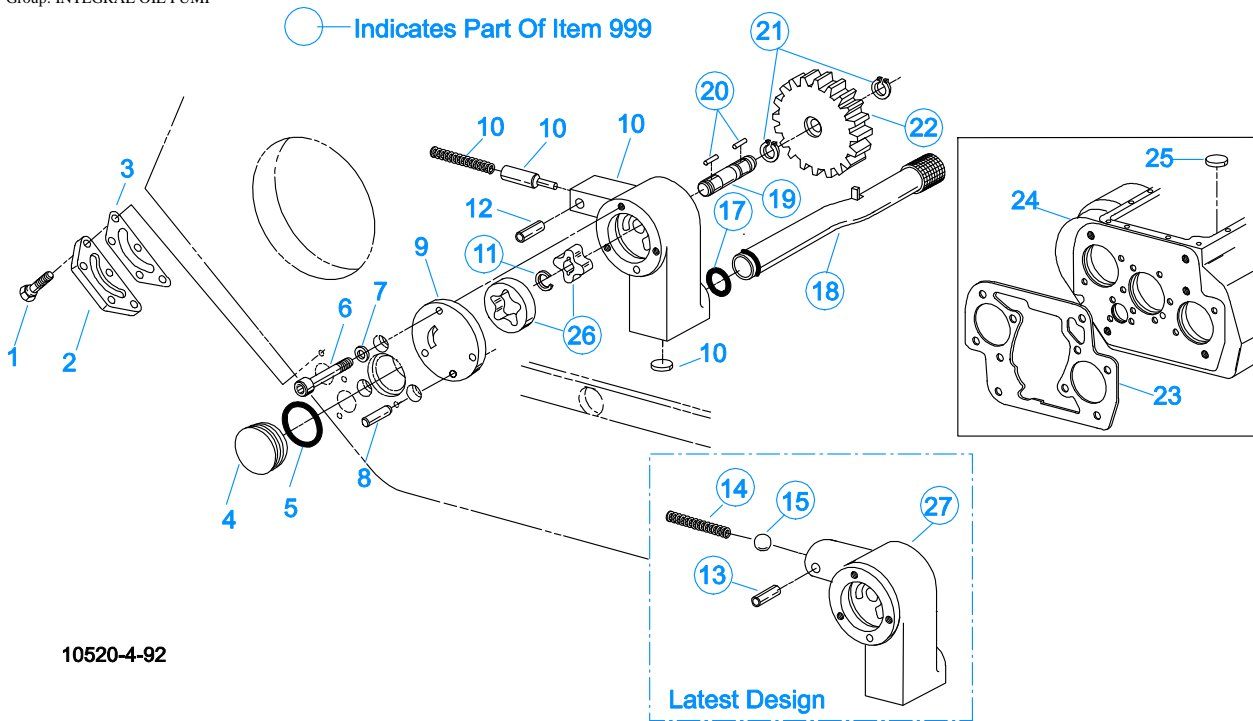
\* For Shipping Only -- Do Not Replace

\*

10370-1/92 IS

### INPUT SHAFT & DRIVE GEAR

| Item | Current Part | Description     | Replaced Part        | Qty. | Notes                     | Kits/Assys Where Needed            |
|------|--------------|-----------------|----------------------|------|---------------------------|------------------------------------|
| 1    | 23559        | SHIPPING SEAL   |                      | 1    | NOT SOLD FOR SERVICE      |                                    |
| 2    | 16980        | SNAP RING       |                      | 1    |                           | K-2468,K-2993,K-2996,K-4125        |
| 3    | 81504        | BEARING         |                      | 1    |                           | K-2468,K-2993,K-2996,K-4125        |
| 4    | 16463        | SPACER          |                      | 1    |                           |                                    |
| 5    | 14750        | SNAP RING       |                      | 1    |                           | K-2433,K-2468,K-2993,K-2996,K-4125 |
| 6    | 20458        | MAIN DRIVE GEAR | 19630                | 1    |                           |                                    |
| 8    | S-1659       | INPUT SHAFT     | 20535 23566 ,4302661 | 1    | 2" PULL - USE W/FBC 20550 | K-2468,K-2993,K-4125               |
| 8    | S-1660       | INPUT SHAFT     | 20536 ,23567         | 1    | 2" PUSH - USE W/FBC 20549 |                                    |
| 9    | 16566        | BUSHING         |                      | 1    |                           | K-2996,S-1659,S-1660               |

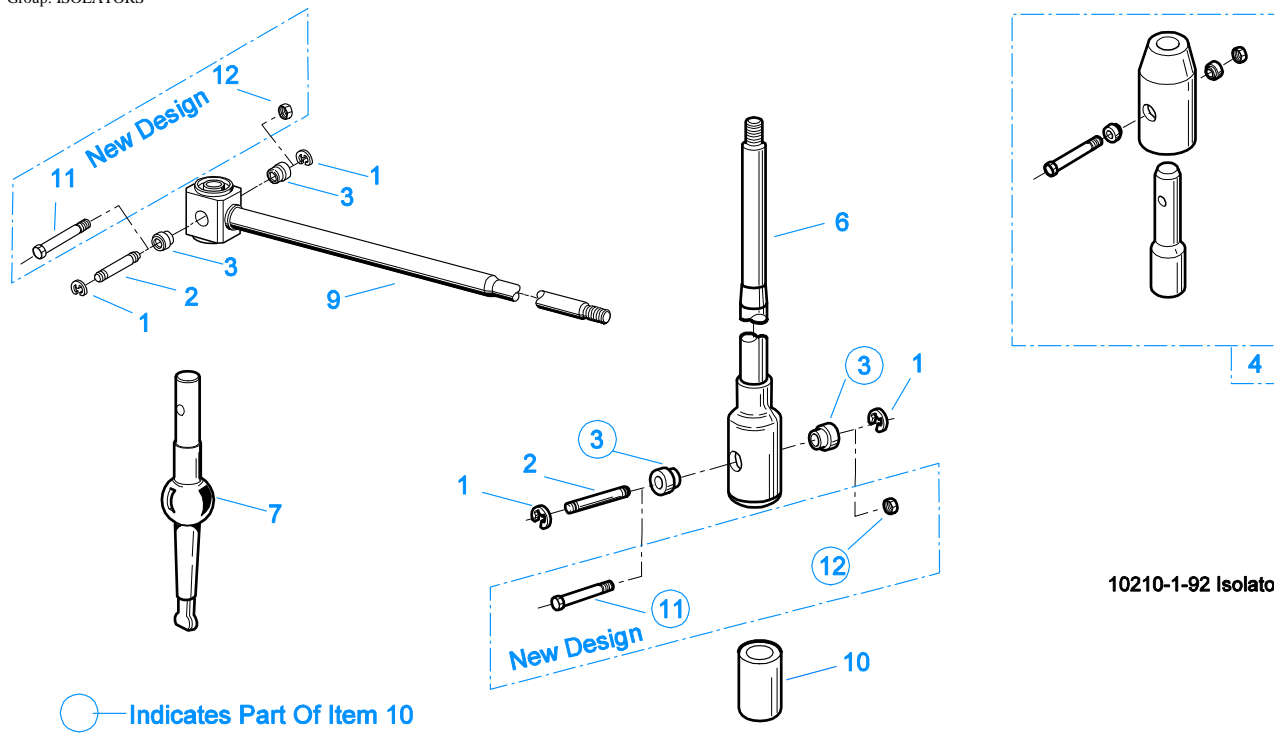


## INTEGRAL OIL PUMP

| Item | Current Part | Description           | Replaced Part  | Qty. | Notes                                 | Kits/Assys Where Needed |
|------|--------------|-----------------------|--|------|---------------------------------------|-------------------------|
| 1    | X-8C-409     | CAPSCREW              |  | 5    | 1/4"-20X5/8" - USE WITH 4300751 COVER |                         |
| 1    | X-8C-430     | CAPSCREW              |  | 5    | 1/4"-20X7/8" - USE WITH 20513 COVER   |                         |
| 2    | K-2402       | COVER & SCREW KIT     | 20513 ,4300751   | 1    |                                       | K-2402                  |
| 3    | 20514        | GASKET                |  | 1    |                                       |                         |
| 4    | 20823        | PLUG                  |  | 1    |                                       |                         |
| 5    | 14765        | -O- RING              |  | 1    |                                       | K-1431,K-1450,K-2002    |
| 6    | X-8-448      | SCREW                 | X 8 445  | 3    | 1/4"-20X1-1/4"                        |                         |
| 7    | 20824        | WASHER                |  | 3    |                                       | K-3367                  |
| 8    | 20825        | DOWEL PIN             |  | 1    |                                       |                         |
| 9    | 4303107      | RETAINER              | 20510  | 1    |                                       | S-1820                  |
| 10   | K-3367       | OIL PUMP KIT          | 4301829 ,4301948 ,4303776 ,4304529 ,4304572 A - 6963 ,A - 7173 | 1    |                                       |                         |
| 11   | 20518        | CRESCENT RING         |  | 1    |                                       |                         |
| 12   | 62516        | ROLL PIN              | 62521  | 1    |                                       |                         |
| 13   | 62514        | ROLL PIN              |  | 1    |                                       |                         |
| 14   | K-3367       | OIL PUMP KIT          | 4301829 ,4301948 ,4303776 ,4304529 ,4304572 A - 6963 ,A - 7173 | 1    |                                       |                         |
| 15   | X-14-700     | STEEL BALL            |  | 1    | 7/16"                                 |                         |
| 17   | 20225        | -O- RING              |  | 1    |                                       |                         |
| 18   | 4305713      | SUCTION TUBE          | 4304628  | 1    | O-RING INCLUDED ON SUCTION TUBE       | K-3367                  |
| 19   | 20508        | DRIVE SHAFT           |  | 1    |                                       |                         |
| 20   | 20509        | KEY                   |  | 2    |                                       |                         |
| 21   | 14853        | SNAP RING             |  | 2    |                                       |                         |
| 22   | 20511        | DRIVE GEAR            |  | 1    |                                       |                         |
| 23   | 4306584      | CLUTCH HOUSING GASKET | 4304815,4305668  | 1    |                                       | K-2199                  |
| 24   | S-1820       | CASE ASSY             | 4300445  | 1    | FOR USE W/INTEGRAL PUMP               |                         |
| 25   | 14373        | MAGNET                |  | 3    |                                       | S-1820,S-1888           |
| 26   | 20507        | ELEMENT               |  | 1    |                                       |                         |
| 27   | K-3367       | OIL PUMP KIT          | 4301829 ,4301948 ,4303776 ,4304529 ,4304572 A - 6963 ,A -      | 1    |                                       |                         |

| Item | Current Part | Description  | Replaced Part   | Qty. | Notes | Kits/Assys Where Needed |
|------|--------------|--------------|---|------|-------|-------------------------|
| 999  | K-3367       | OIL PUMP KIT | 7173<br>4301829 ,4301948<br>.4303776 ,4304529<br>.4304572 A - 6963 ,A -<br>7173 | 1    |       |                         |





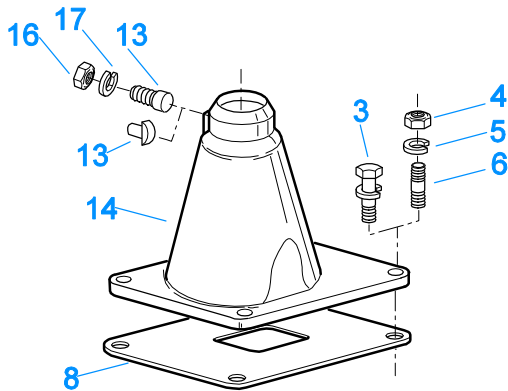
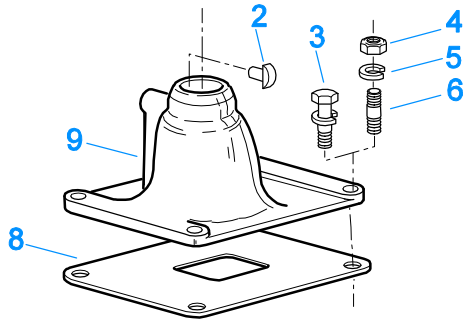
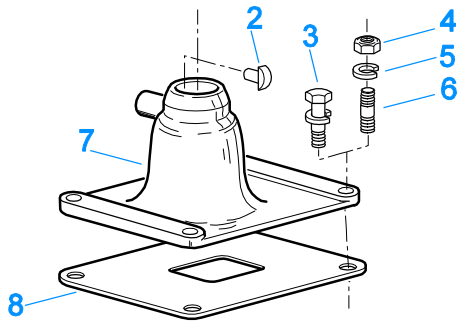
10210-1-92 Isolator

## ISOLATORS

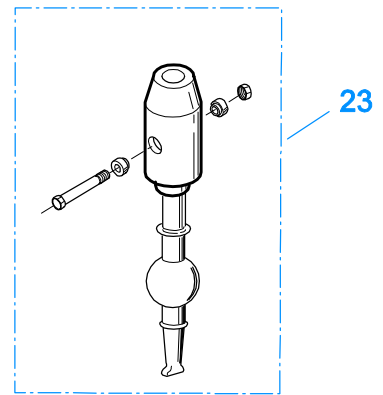
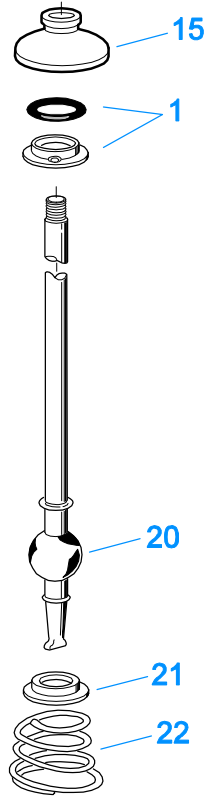
| Item | Current Part | Description          | Replaced Part | Qty. | Notes           | Kits/Assys Where Needed                                 |
|------|--------------|----------------------|---------------|------|-----------------|---|
| 1    | 19124        | -E- RING             |               | 2    |                 |   |
| 2    | K-3467       | PIN REPLACEMENT KIT  | 21245         | 1    |                 |   |
| 3    | 21246        | BUSHING              |               | 2    |                 | K-2003,K-2428,K-2429,K-2978,K-3399,S-2129,S-2130,S-2519 |
| 4    | S-1794       | ISOLATOR ASSY        |               | 1    |                 |   |
| 6    | 21247        | LEVER                |               | 1    | STRAIGHT 18.67" |   |
| 7    | 21235        | STUB LEVER           |               | 1    | LOW TOWER       | K-2428,S-1677   |
| 7    | 21236        | STUB LEVER           |               | 1    | HIGH TOWER      | K-2429,S-1579,S-2130                                    |
| 7    | 4301168      | STUB LEVER           |               | 1    | MID TOWER       | K-2978  |
| 9    | 21767        | 90 DEG LEVER         |               | 1    | STRAIGHT 33"    |   |
| 10   | K-3399       | ISOLATOR BUSHING KIT | 21244 ,23311  | 1    |                 |   |
| 11   | X-8-560      | SCREW                |               | 1    |                 |   |
| 12   | X-9-503      | NUT                  |               | 1    |                 |   |

## KITS & ASSEMBLIES

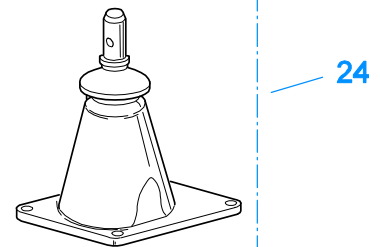
| Item   | Current Part | Description                                     | Replaced Part  | Qty. | Notes  | Kits/Assys Where Needed |
|--------|--------------|---|--|------|--|-------------------------|
| K-1431 |              | RANGE CYL-KIT                                   |  | 1    |  |                         |
| K-1450 |              | -O- RING KIT-RANGE                              |  | 1    |  |                         |
| K-1698 |              | -O- RING/ELEMENT KIT                            |  | 1    | FOR FILTER REGULATOR   |                         |
| K-1935 |              | REPAIR KIT-SLAVE VALVE                          |  | 1    | FOR A-5000 VALVE   |                         |
| K-1956 |              | COOLER INSTLN KIT                               |  | 1    |  |                         |
| K-2002 |              | -O- RING KIT                                    |  | 1    |  | K-2338,K-2993,K-2996    |
| K-2003 |              | PIN & BUSHING KIT                               |  | 1    |  |                         |
| K-2072 |              | MASTER VALVE REPAIR KIT                         |  | 1    | FOR A-5013 VALVE   |                         |
| K-2078 |              | -O- RING KIT - SPLITTER                         |  | 1    | SPLITTER   |                         |
| K-2199 |              | GASKET KIT                                      |  | 1    |  | K-2993,K-2996           |
| K-2262 |              | OIL SEAL W/SLINGER                              | 19109 20807 20808  | 1    | "FOR MECHANICAL COVER"   | K-2338,K-2993,K-2996    |
| K-2338 |              | BASIC OVERHAUL KIT                              |  | 1    | FOR AUXILIARY SECTION  |                         |
| K-2394 |              | AIR SYSTEMS TOOL KIT                            |  | 1    |  |                         |
| K-2433 |              | SMALL PARTS KIT                                 |  | 1    |  |                         |
| K-2468 |              | CLUTCH INSTALLATION KIT                         |  | 1    | FOR USE WITH S-1659 INPUT SHAFT ASSY AND 81504 INPUT SHAFT BEARING |                         |
| K-2977 |              | SHIFT LEVER HSG KIT                             | 4301167 ,4304907 ,A - 6040                                     | 1    | MID TOWER  |                         |
| K-2978 |              | LEVER REPLACEMENT KIT                           |  | 1    | MID TOWER  |                         |
| K-2993 |              | BASIC OVERHAUL KIT                              |  | 1    |  |                         |
| K-2996 |              | BASIC REBUILD KIT                               |  | 1    |  |                         |
| K-3189 |              | REPLT KIT-DRIVE GEAR                            | 4300467 ,4303558 ,K - 2312                                     | 1    |  |                         |
| K-3191 |              | MASTER VALVE REPAIR KIT                         |  | 1    | FOR A-6918 VALVE   |                         |
| K-3196 |              | MASTER VALVE REPAIR KIT                         |  | 1    | FOR A-7318 VALVE   |                         |
| K-3209 |              | IDLER SHAFT REPL KIT                            | 16405 ,4302981 ,4305513  | 1    |  |                         |
| K-3333 |              | SPLITTER VLV REPL KIT                           | A - 6861   | 1    |  |                         |
| K-3367 |              | OIL PUMP KIT                                    | 4301829 ,4301948 ,4303776 ,4304529 ,4304572 A - 6963 ,A - 7173 | 1    |  |                         |
| K-3399 |              | ISOLATOR BUSHING KIT                            | 21244 ,23311   | 1    |  |                         |
| K-3467 |              | PIN REPLACEMENT KIT                             | 21245  | 1    |  |                         |
| K-3492 |              | SYNCHRONIZER KIT                                | K - 2446   | 1    |  |                         |
| K-3494 |              | SYNCHRONIZER REPLACEMENT KIT                    | K - 2448   | 1    | SLIDING CLUTCH INCLUDED IN KIT                                     |                         |
| K-4125 |              | CLUTCH INSTALLATION KIT (RT), HYDRAULIC RELEASE |  | 1    | STANDARD RT INPUT SHAFT AND YOKE FOR HYDRAULIC CLUTCH RELEASE      |                         |
| S-1219 |              | YOKE ASSY LOW-REV                               |  | 1    |  |                         |
| S-1404 |              | OIL FILTER                                      | 17238  | 1    |  |                         |
| S-1516 |              | CAP ASSY  | 20851 ,20853   | 1    |  |                         |
| S-1529 |              | SHIFT BAR HSG ASSY (F)                          | 20213 ,22956   | 1    | COMPLETE   |                         |
| S-1531 |              | SHIFT BAR HSG ASSY (STD)                        | 20211 ,22955   | 1    | COMPLETE   |                         |
| S-1659 |              | INPUT SHAFT                                     | 20535 23566 4302661  | 1    | 2" PULL - USE W/FBC 20550  | K-2468,K-2993,K-4125    |
| S-1660 |              | INPUT SHAFT                                     | 23567  | 1    | 2" PUSH  |                         |
| S-1820 |              | CASE ASSY                                       | 4300445  | 1    | FOR USE W/INTEGRAL PUMP  |                         |
| S-1888 |              | CASE ASSY                                       | 4300590  | 1    |  |                         |
| S-1892 |              | RANGE SECTION ASSY                              |  | 1    |  |                         |
| S-2119 |              | REAR BRG COVER ASSY                             | 20048 ,22045 ,4302009 ,4302031 ,S - 1558 S - 1560              | 1    | EXTENDED   |                         |
| S-2129 |              | SHIFT LEVER HSG ASSY                            |  | 1    | LOW TOWER  |                         |
| S-2130 |              | SHIFT LEVER HSG ASSY                            | S - 2053   | 1    | HIGH TOWER   |                         |
| S-2519 |              | SHIFT LEVER HSG ASSY                            | S - 2919   | 1    | MID TOWER  |                         |
| S-2660 |              | MAINSHAFT ASSY                                  | 21594 ,4303714 ,S - 1561                                       | 1    |  |                         |



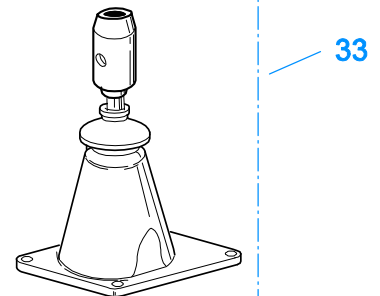
10207-9-95



K-2428 - Low  
K-2978 - Mid  
K-2429 - High



S-1677 - Low  
S-1967 - Mid  
S-1579 - High

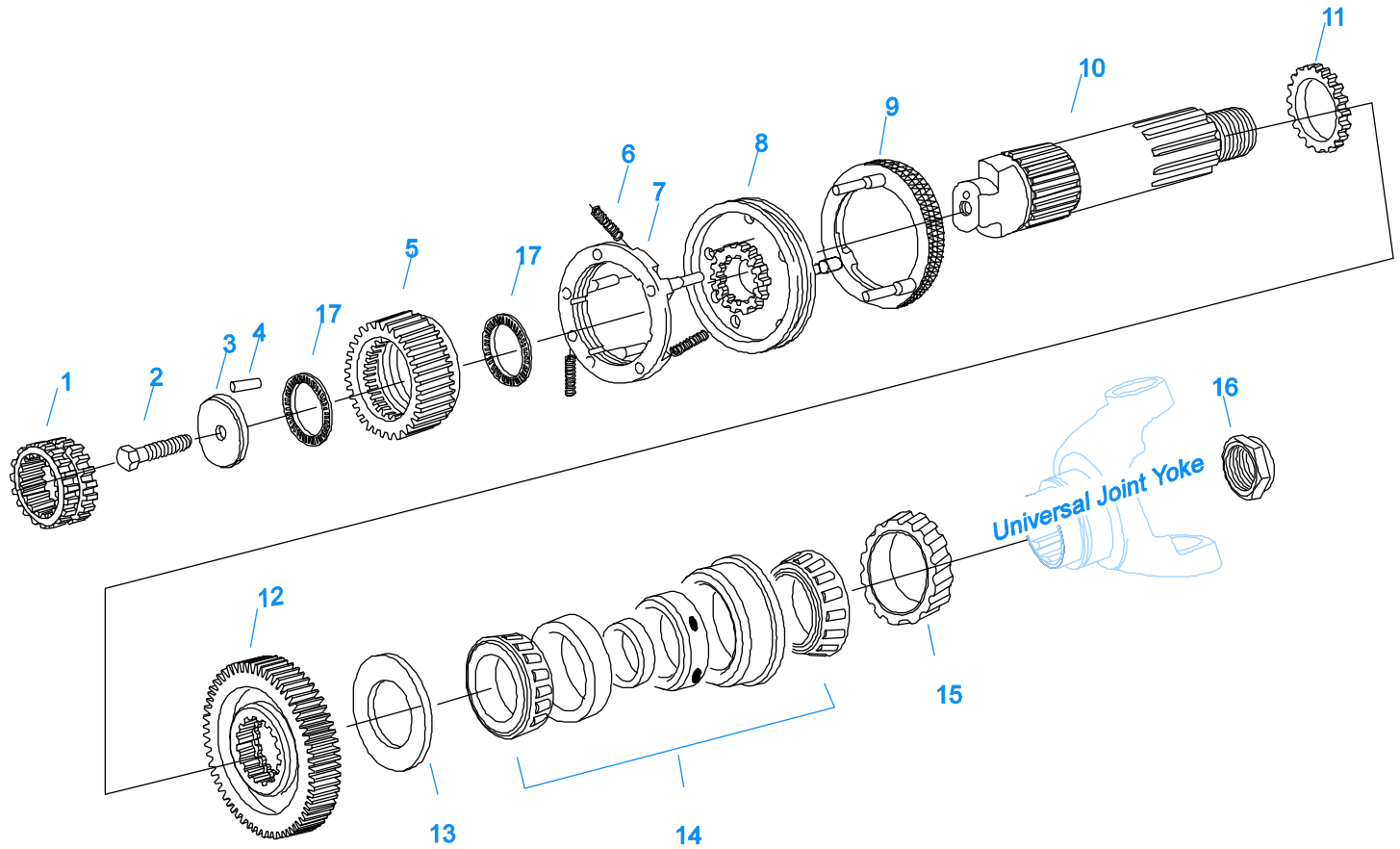


S-2129 - Low  
S-2519 - Mid  
S-2130 - High

## LEVERS/HOUSINGS

| Item | Current Part | Description         | Replaced Part                            | Qty. | Notes             | Kits/Assys Where Needed                                     |
|------|--------------|---------------------|--|------|-------------------|---|
| 1    | K-3376       | O-RING & WASHER KIT | 4301211                                  | 1    |                   |   |
| 2    | 18299        | PIN                 |  | 1    |                   |   |
| 3    | X-8C-604     | CAPSCREW            |  | 4    | 3/8"-16X1-1/4"    | K-1476,K-2977,S-1677<br>S-1529,S-1531                       |
| 4    | X-1-600      | NUT                 |  | 4    | 3/8"-24-N.F.PLAIN |   |
| 5    | X-3-600      | LOCKWASHER          |  | 4    | 3/8"              |   |
| 6    | 11934        | STUD                | 7467                                     | 4    |                   |   |
| 7    | K-1476       | SHIFT LEVER HSG     | 4530 ,17163 ,18298<br>,4304905 ,A - 4437 | 1    | LOW TOWER         |   |
| 8    | 4305294      | GASKET              | 4303431                                  | 1    |                   | K-1476,K-2199,K-<br>2428,K-2429,K-<br>2973,K-2977,K-2978,S- |

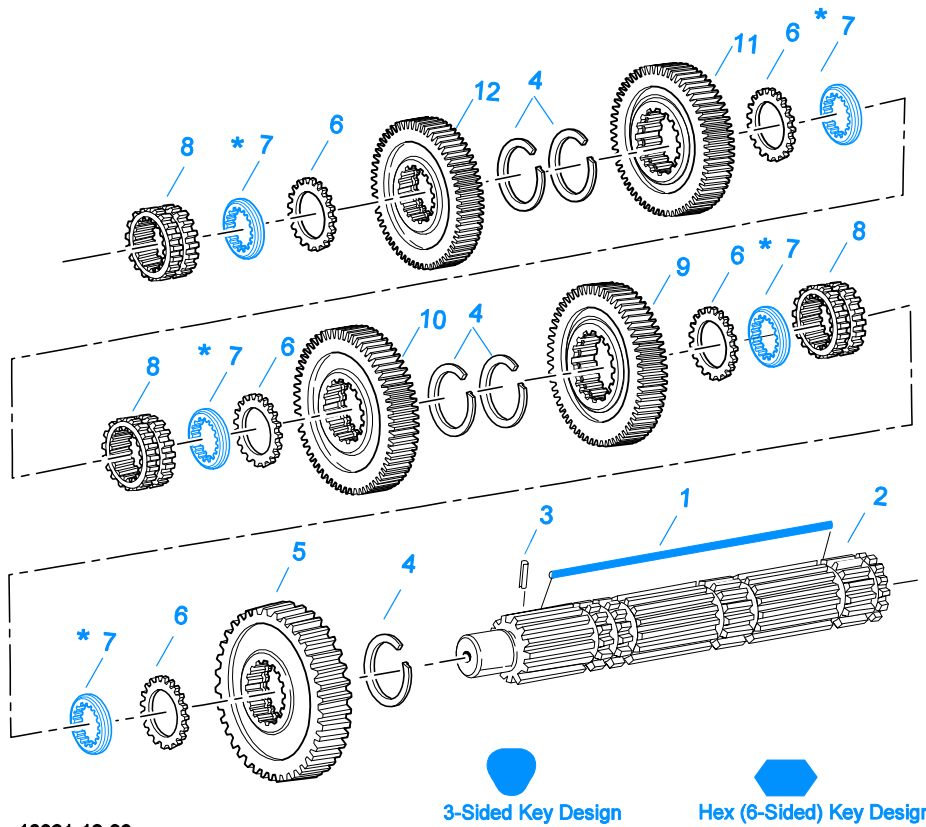
| Item | Current Part | Description           | Replaced Part                                     | Qty. | Notes                    | Kits/Assys Where Needed                               |
|------|--------------|-----------------------|---|------|--------------------------|---|
|      |              |                       |   |      |                          | 1529,S-1531,S-1579,S-1677,S-1967,S-2129,S-2130,S-2519 |
| 9    | K-2977       | SHIFT LEVER HSG KIT   | 4301167 ,4304907 ,A - 6040                        | 1    | MID TOWER                |   |
| 13   | 4303030      | PIN                   |   | 1    |                          | K-2973,S-1579,S-2130                                  |
| 13   | 6541         | PIN                   |   | 1    | 3/8" - USED W/17167 ONLY |   |
| 14   | K-2973       | SHIFT LEVER HSG KIT   | 17166 ,17167 ,4303050 ,4304910 ,K - 1630 K - 1941 | 1    | HIGH TOWER               |   |
| 15   | 10427        | BOOT                  |   | 1    |                          | K-1476,K-2973,K-2977,S-1579,S-1677,S-2130             |
| 16   | X-1-600      | NUT                   |   | 1    | 3/8"-24-N.F.PLAIN        |   |
| 17   | X-3-600      | LOCKWASHER            |   | 1    | 3/8"                     |   |
| 20   | 17600        | GEAR SHIFT LEVER      |   | 1    | STRAIGHT - LOW 21-1/2"   |   |
| 20   | 18482        | GEAR SHIFT LEVER      |   | 1    | STRAIGHT - HIGH 35"      |   |
| 21   | 2538         | RETAINER              |   | 1    |                          | K-1476,K-2973,K-2977,S-1579,S-1677,S-2130             |
| 22   | 2536         | SPRING                |   | 1    |                          | K-1476,K-2973,K-2977,S-1579,S-1677,S-2130             |
| 23   | K-2428       | LEVER REPLACEMENT KIT |   | 1    | LOW TOWER                |   |
| 23   | K-2429       | LEVER REPLACEMENT KIT |   | 1    | HIGH TOWER               |   |
| 23   | K-2978       | LEVER REPLACEMENT KIT |   | 1    | MID TOWER                |   |
| 24   | S-1579       | SHIFT TOWER ASSY      |   | 1    | HIGH TOWER               |   |
| 24   | S-1677       | SHIFT TOWER ASSY      |   | 1    | LOW TOWER                |   |
| 24   | S-1967       | SHIFT TOWER ASSY      |   | 1    | MID TOWER                |   |
| 33   | S-2129       | SHIFT LEVER HSG ASSY  |   | 1    | LOW TOWER                |   |
| 33   | S-2130       | SHIFT LEVER HSG ASSY  | S - 2053  | 1    | HIGH TOWER               |   |
| 33   | S-2519       | SHIFT LEVER HSG ASSY  | S - 2919  | 1    | MID TOWER                |   |



10422-4/92 Aux MS 13/18spd

### MAINSHAFT & SYNCHRO(AUX)

| Item | Current Part | Description                 | Replaced Part            | Qty. | Notes          | Kits/Assys Where Needed                   |
|------|--------------|-----------------------------|--------------------------|------|----------------|---|
| 1    | 21930        | SLIDING CLUTCH              |                          | 1    |                |   |
| 2    | X-7-1005     | CAPSCREW                    |                          | 1    | 5/8"-18X1-3/4" |   |
| 3    | K-2617       | RETAINER REPL KIT           | 21606                    | 1    |                |   |
| 4    | 62511        | ROLL PIN                    |                          | 1    |                | A-6689,K-2433                             |
| 5    | 21931        | SPLITTER GEAR-<br>MAINSHAFT |                          | 1    |                | K-2616,K-2617                             |
| 6    | 14897        | SPRING                      |                          | 3    |                | K-2338,K-2433,K-2993,K-2996,K-3492,K-3494 |
| 7    | A-7331       | SYNCHRONIZER ASSY           | 4304396 4304397 A - 5917 | 1    | HI RANGE       | K-3494                                    |
| 8    | 20323        | SLIDING CLUTCH              |                          | 1    |                | K-3494                                    |
| 9    | A-7254       | SYNCHRONIZER<br>ASSEMBLY    | A - 4937 A - 5876        | 1    | LO RANGE       | K-3492,K-3494                             |
| 10   | K-2616       | MAINSHAFT REPL KIT          | 21604                    | 1    |                |   |
| 11   | 19203        | SPACER                      |                          | 1    |                | K-2433                                    |
| 12   | 21918        | REDUCTION GEAR              |                          | 1    |                | K-2433                                    |
| 13   | 16772        | WASHER                      |                          | 1    |                | K-2433                                    |
| 14   | 15260        | BEARING                     |                          | 1    |                | K-2338,K-2993,K-2996                      |
| 15   | 20191        | ROTOR                       | 16295                    | 1    |                |   |
| 16   | 22254        | NUT                         | 11956                    | 1    |                | S-1892                                    |
| 17   | 4302058      | BEARING                     |                          | 2    |                | K-2616,K-2617,K-2993,K-2996               |



10321-12-93

**\* Updating to 3-Sided Key is Recommended.**  
**When Updating to 3-Sided Key Replace all Washers to Match Key Design**  
**Always Use Matching Key and Washer Sets (See Appendix - Mainshaft Washers)**

**MAINSHAFT ASSY**

| Item | Current Part | Description             | Replaced Part           | Qty. | Notes  | Kits/Assys Where Needed            |
|------|--------------|-------------------------|-------------------------|------|--|------------------------------------|
| 1    | 4304614      | 3-SIDED KEY             | 4300890                 | 1    |  | K-2366,K-2433                      |
| 1    | K-2366       | KEY & WASHER KIT        | 21326 ,4300763 ,4304614 | 1    | CONTAINS 3-SIDED KEY                                       |                                    |
| 2    | S-2660       | MAINSHAFT ASSY          | 21594 ,4303714 ,S-1561  | 1    |  |                                    |
| 3    | 62504        | ROLL PIN                |                         | 1    |  | S-2660                             |
| 4    | 14750        | SNAP RING               |                         | 5    |  | K-2433,K-2468,K-2993,K-2996,K-4125 |
| 5    | 16756        | REVERSE GEAR-MAINSHAFT  | 22408                   | 1    |  |                                    |
| 6    | 14749        | SPACER                  |                         | 5    |  | K-2433                             |
| 7    | 14711        | WASHER .248-.250 WHITE  | 18701                   | 5    | OPTIONAL 14711-14716 USE ANY 5 WASHERS USE WITH 21326 KEY  |                                    |
| 7    | 14712        | WASHER .253-.255 GREEN  | 18702                   | 5    | OPTIONAL 14711-14716 USE ANY 5 WASHERS USE WITH 21326 KEY  |                                    |
| 7    | 14713        | WASHER .258-.260 ORANGE | 18703                   | 5    | OPTIONAL 14711-14716 USE ANY 5 WASHERS USE WITH 21326 KEY  |                                    |
| 7    | 14714        | WASHER .263-.265 PURPLE | 18704                   | 5    | OPTIONAL 14711-14716 USE ANY 5 WASHERS USE WITH 21326 KEY  |                                    |
| 7    | 14715        | WASHER .268-.270 YELLOW | 18705                   | 5    | OPTIONAL 14711-14716 USE ANY 5 WASHERS USE WITH 21326 KEY  |                                    |
| 7    | 14716        | WASHER .273-.275 BLACK  | 18706                   | 5    | OPTIONAL 14711-14716 USE ANY 5 WASHERS USE WITH 21326 KEY  |                                    |
| 7    | 4300382      | WASHER .249-WHITE       |                         | 5    |  | K-2366,K-2433                      |
| 7    | 4300383      | WASHER .254-GREEN       |                         | 5    | OPTIONAL 4300382-4300387 OR 4300830 USE ANY 5 WASHERS. USE | K-2366,K-2433                      |

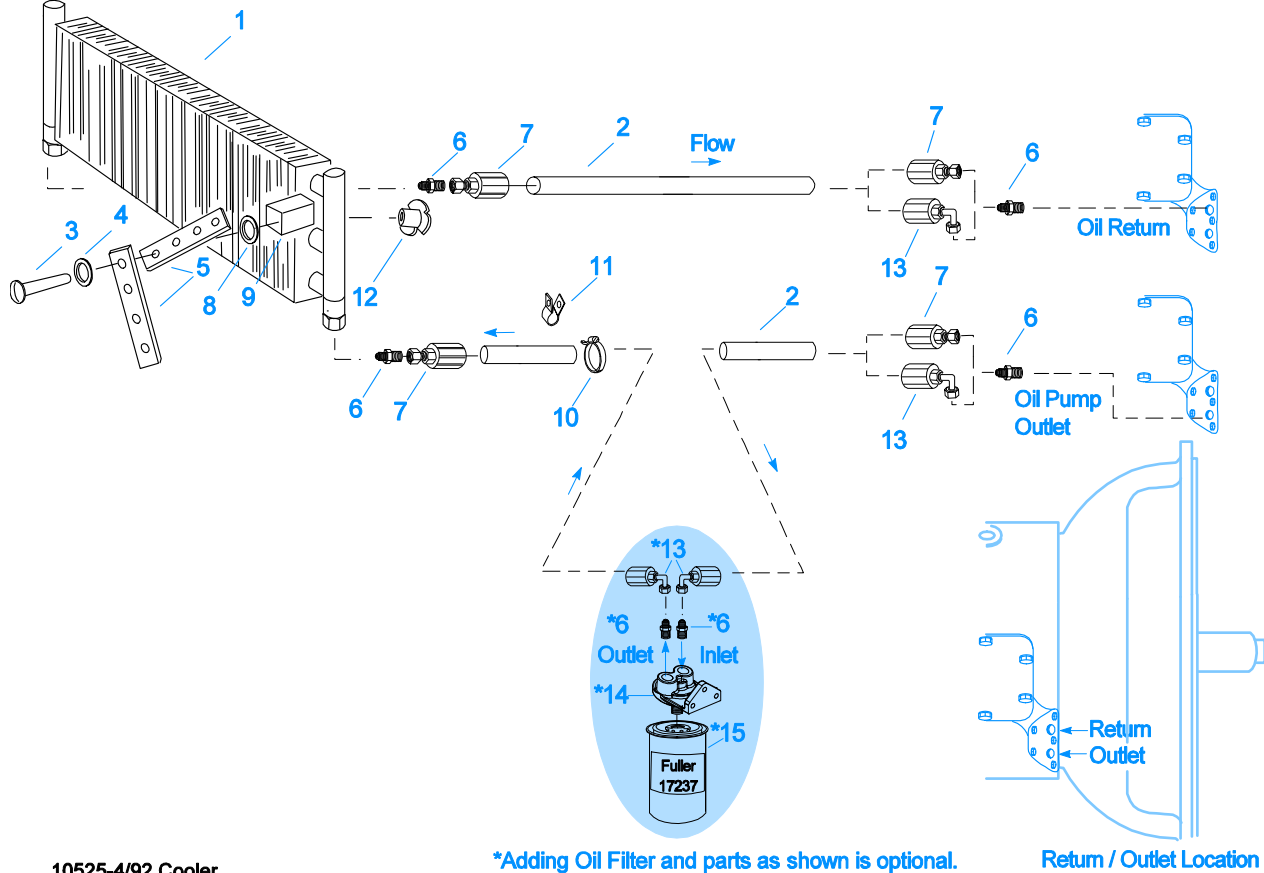
| Item | Current Part | Description        | Replaced Part | Qty. | Notes   | Kits/Assys Where Needed |
|------|--------------|--------------------|---------------|------|---|-------------------------|
| 7    | 4300384      | WASHER .259-ORANGE |               | 5    | WITH 3-SIDED KEY<br>OPTIONAL 4300382-4300387 OR<br>4300830 USE ANY 5 WASHERS. USE<br>WITH 3-SIDED KEY | K-2366,K-2433           |
| 7    | 4300385      | WASHER .264-PURPLE |               | 5    | OPTIONAL 4300382-4300387 OR<br>4300830 USE ANY 5 WASHERS. USE<br>WITH 3-SIDED KEY                     |                         |
| 7    | 4300386      | WASHER .269-YELLOW |               | 5    | OPTIONAL 4300382-4300387 OR<br>4300830 USE ANY 5 WASHERS. USE<br>WITH 3-SIDED KEY                     |                         |
| 7    | 4300387      | WASHER .274-BLACK  |               | 5    | OPTIONAL 4300382-4300387 OR<br>4300830 USE ANY 5 WASHERS. USE<br>WITH 3-SIDED KEY                     |                         |
| 7    | 4300830      | WASHER .244-BLUE   |               | 5    |   | K-2366,K-2433           |
| 8    | 16118        | SLIDING CLUTCH     |               | 3    |   | K-2993                  |
| 9    | 4300654      | LO GEAR-MAINSHAFT  | 21593         | 1    |   |                         |
| 10   | 21591        | 1ST GEAR-MAINSHAFT |               | 1    |   |                         |
| 11   | 21589        | 2ND GEAR-MAINSHAFT |               | 1    |   |                         |
| 12   | 21587        | 3RD GEAR-MAINSHAFT |               | 1    |   |                         |

## MISCELLANEOUS

| Item  | Current Part | Description         | Replaced Part | Qty. | Notes                            | Kits/Assys Where Needed                                 |
|-------|--------------|---------------------|---------------|------|----------------------------------|---|
| 21628 |              | SHIFT DIAGRAM LABEL | 4300591       | 1    |                                  |   |
| 71203 |              | SILICONE LUBE       |               | 1    | 8 OZ (236.59 CC)-FLEET SIZE      |   |
| 71204 |              | ADHESIVE SEALANT    |               | 1    | 0.5 CC (SINGLE APPLICATION SIZE) |   |
| 71205 |              | SEALANT             |               | 1    | 2 CC (SINGLE APPLICATION SIZE)   | K-2993  |
| 71206 |              | SILICONE LUBE       |               | 1    | 4 CC (SINGLE APPLICATION SIZE)   | K-1431,K-1450,K-2002,K-2078,K-2428,K-2429,K-2978,K-3333 |



Group: OIL COOLER



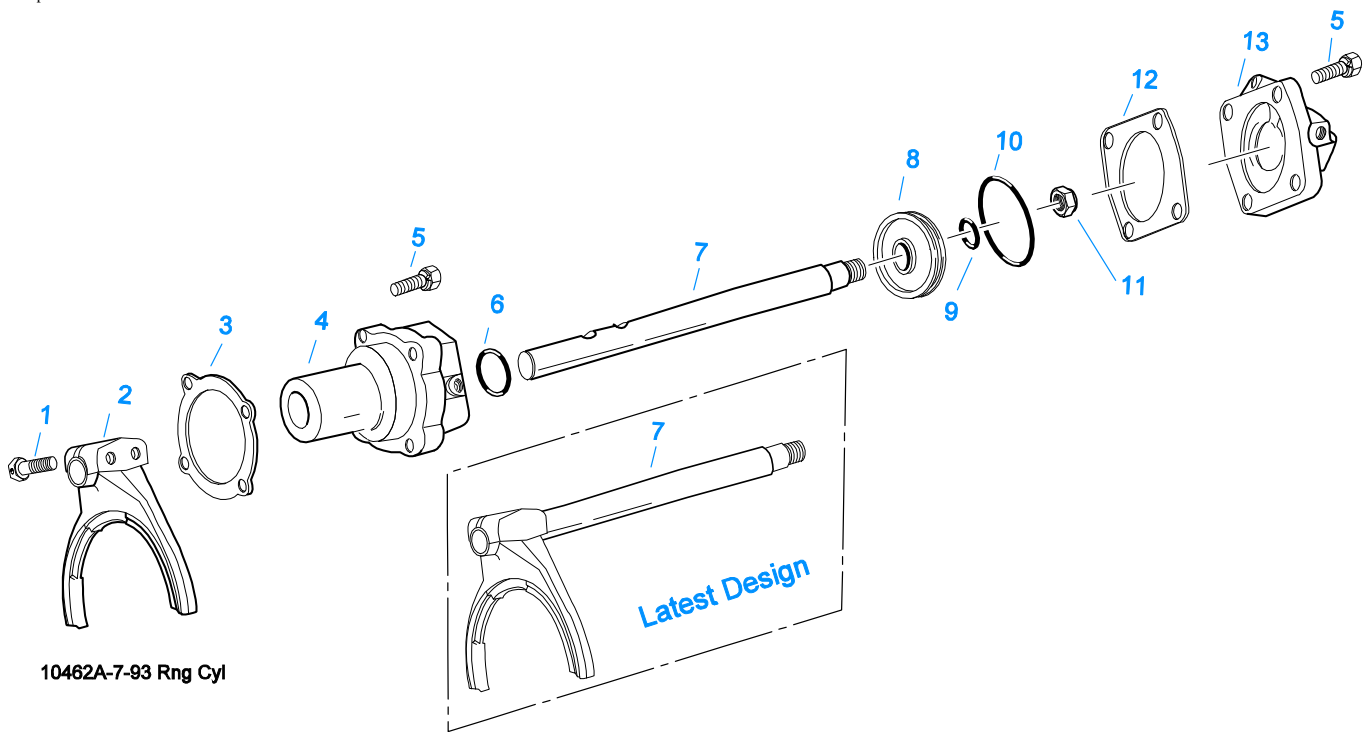
10525-4/92 Cooler

\*Adding Oil Filter and parts as shown is optional.

Return / Outlet Location

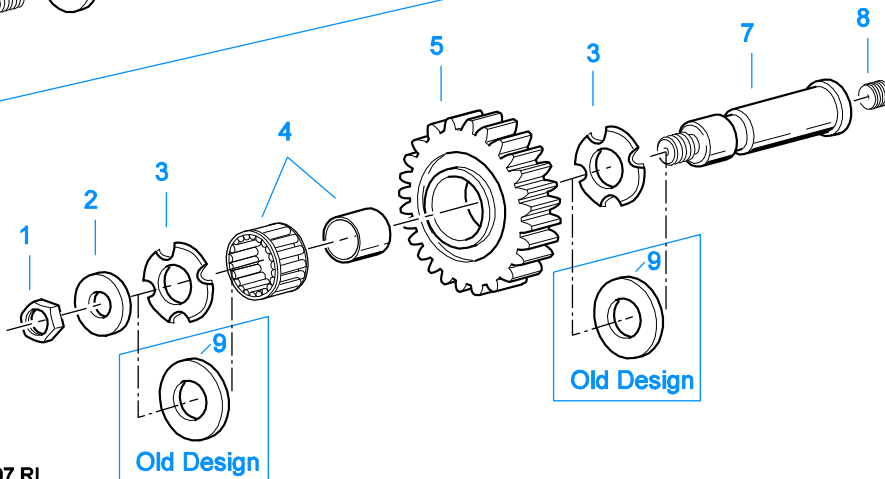
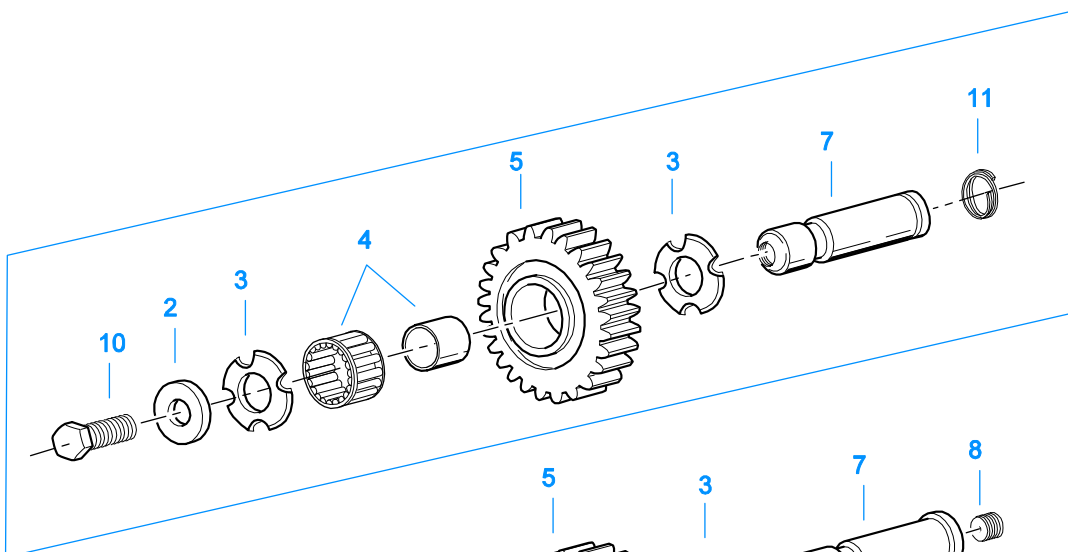
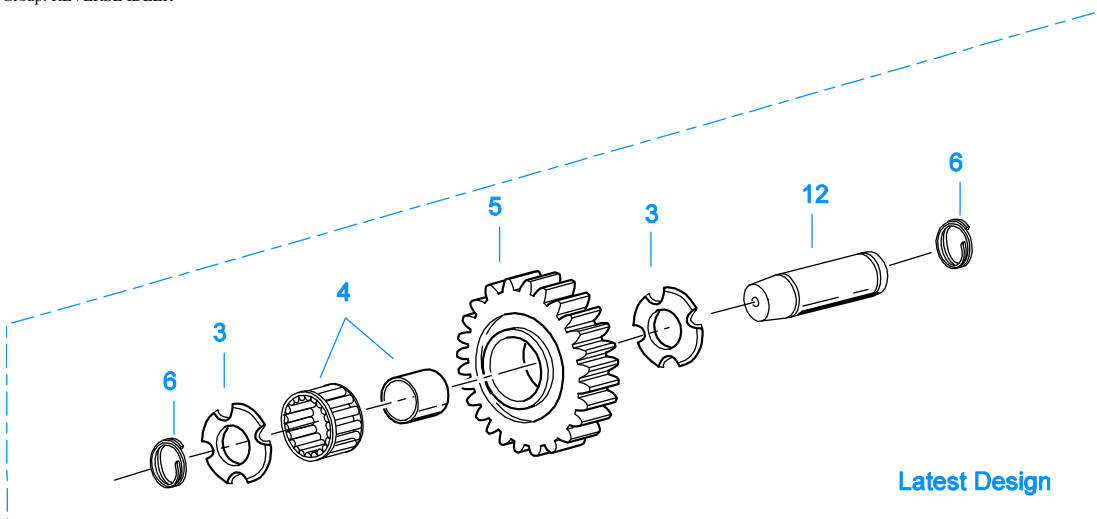
## OIL COOLER

| Item | Current Part | Description       | Replaced Part | Qty. | Notes           | Kits/Assys Where Needed |
|------|--------------|-------------------|---------------|------|-----------------|-------------------------|
| 1    | 18025        | OIL COOLER        |               | 1    |                 | K-1956                  |
| 2    | 19424        | HOSE              |               | 1    | 25 FEET         | K-1956                  |
| 3    | X-8-535      | CAPSCREW          |               | 2    | 5/16"-16X2-1/2" |                         |
| 4    | X-3-506      | LOCKWASHER        |               | 2    | 5/16"           |                         |
| 5    | 18211        | BRACKET           |               | 4    |                 | K-1956                  |
| 6    | 19419        | CONNECTOR         |               | 6    |                 | K-1956,S-1404           |
| 7    | 19415        | SWIVEL            |               | 4    |                 | K-1956                  |
| 8    | X-10-501     | WASHER            |               | 2    | 5/16"           |                         |
| 9    | 18209        | PLUG-RUBBER MOUNT |               | 2    |                 | K-1956                  |
| 10   | 17190        | STRAP             |               | 8    |                 | K-1956                  |
| 11   | 19423        | CLAMP             |               | 5    |                 | K-1956                  |
| 12   | 18210        | NUT               |               | 2    |                 | K-1956                  |
| 13   | 19422        | ELBOW             |               | 4    |                 | K-1956                  |
| 14   | S-1404       | OIL FILTER        | 17238         | 1    |                 |                         |
| 15   | 17237        | FILTER ELEMENT    |               | 1    |                 | S-1404                  |



## RANGE CYLINDER

| Item | Current Part | Description        | Replaced Part    | Qty. | Notes          | Kits/Assys Where Needed     |
|------|--------------|--------------------|------------------|------|----------------|-----------------------------|
| 1    | X-7-809      | BOLT               | X 7 810 ,X 7 811 | 2    | 1/2"-20X1-3/4" |                             |
| 2    | 22823        | SHIFT YOKE         | 16775            | 1    |                |                             |
| 3    | 14347        | GASKET             |                  | 1    |                | K-1431,K-2199               |
| 4    | 16778        | AUXILIARY CYLINDER |                  | 1    |                | K-1431                      |
| 5    | X-8L-604     | CAPSCREW           |                  | 8    | 3/8"-16X1-1/4" |                             |
| 6    | 14765        | -O- RING           |                  | 1    |                | K-1431,K-1450,K-2002        |
| 7    | 4300183      | YOKE BAR           |                  | 1    |                |                             |
| 7    | A-6163       | WELDED YOKE ASSY   |                  | 1    |                |                             |
| 8    | 14341        | PISTON             | 23353            | 1    |                | K-1431                      |
| 9    | 14345        | -O- RING           |                  | 1    |                | K-1431,K-1450,K-2002        |
| 10   | 14344        | -O- RING           |                  | 1    |                | K-1431,K-1450,K-2002        |
| 11   | X-1-1010     | NUT                |                  | 1    | 5/8"-18        |                             |
| 12   | 14349        | GASKET             |                  | 1    |                | K-1431,K-1450,K-2002,K-2199 |
| 13   | 19690        | CYLINDER COVER     |                  | 1    |                |                             |

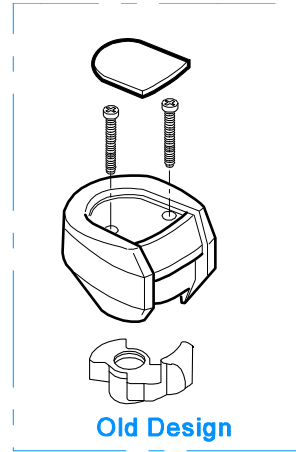
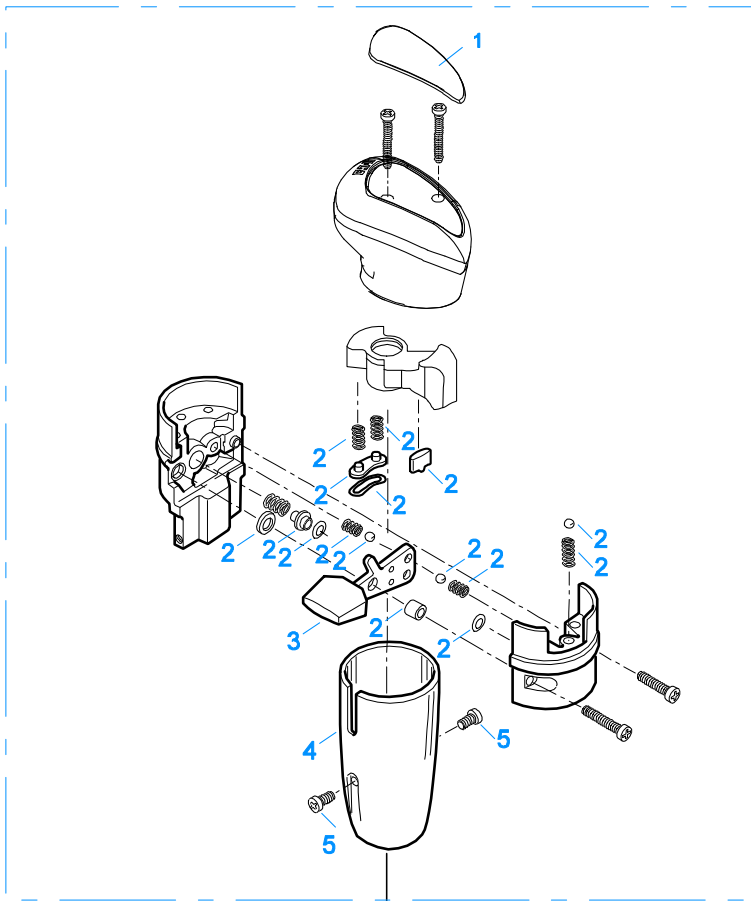


11383-5-97 RI

## REVERSE IDLER

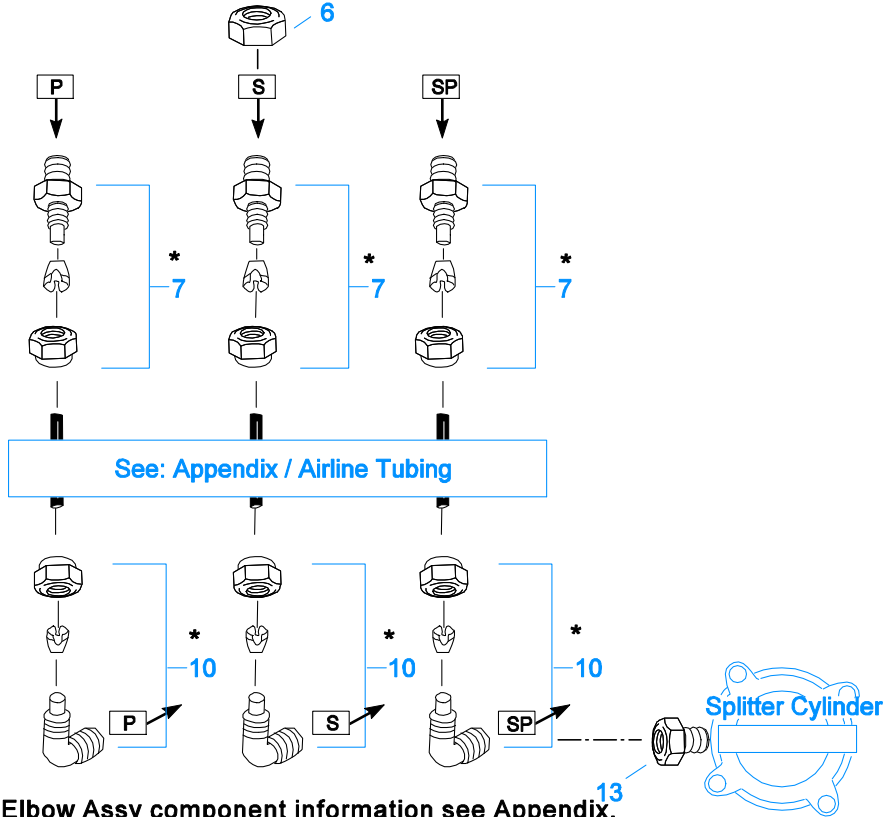
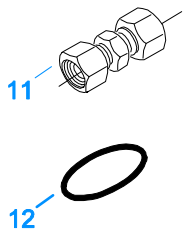
| Item | Current Part | Description          | Replaced Part              | Qty. | Notes   | Kits/Assys Where Needed |
|------|--------------|----------------------|----------------------------|------|---------|-------------------------|
| 1    | X-1-1008     | NUT                  |                            | 2    | 5/8"-18 |                         |
| 2    | 14283        | WASHER               |                            | 2    |         |                         |
| 3    | 4302982      | WASHER               | 14282                      | 4    |         | K-3209,S-1820,S-1888    |
| 4    | 14287        | BEARING              | 4305020                    | 2    |         | K-2993,K-2996           |
| 5    | 16757        | REVERSE IDLER GEAR   | 22409                      | 2    |         |                         |
| 6    | 4303336      | RETAINING RING       |                            | 4    |         | K-3209                  |
| 7    | K-3209       | IDLER SHAFT REPL KIT | 16405 ,4302981<br>,4305513 | 2    |         |                         |
| 8    | 5202         | PLUG                 |                            | 2    |         |                         |

| Item | Current Part | Description         | Replaced Part | Qty. | Notes         | Kits/Assys Where Needed |
|------|--------------|---------------------|---------------|------|---------------|-------------------------|
| 9    | 14282        | NO LONGER AVAILABLE |               | 4    |               |                         |
| 10   | X-7-1008     | CAPSCREW            |               | 2    | 5/8"-18X1-1/4 |                         |
| 11   | 4303336      | RETAINING RING      |               | 2    |               | K-3209                  |
| 12   | 4305513      | IDLER SHAFT         |               | 2    |               | K-3209                  |



999

Old Design

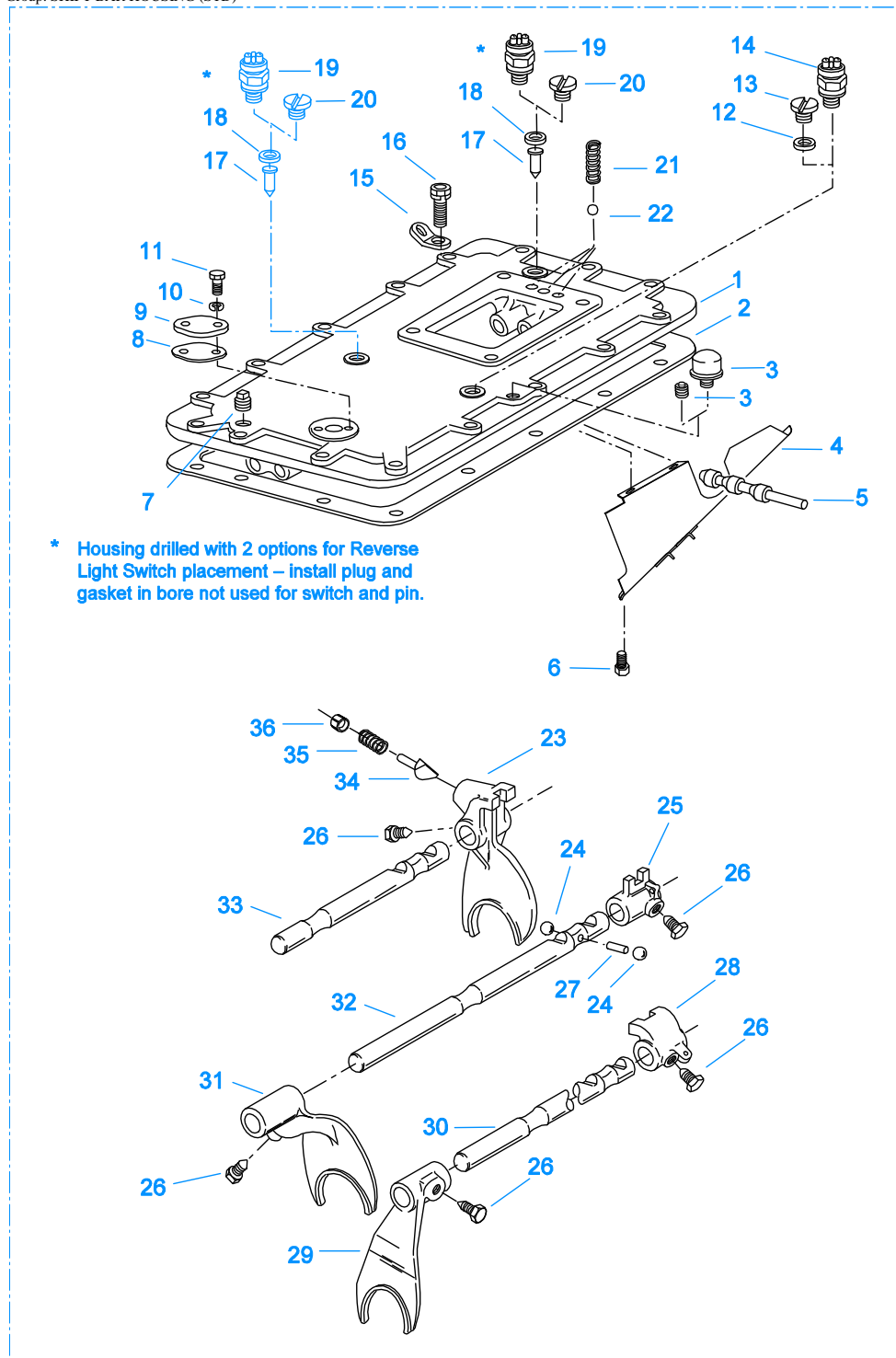


10103-6/92 RRV - 3

\*For Connector and Elbow Assy component information see Appendix.

## ROADRANGER VALVES

| Item | Current Part | Description             | Replaced Part    | Qty. | Notes                                     | Kits/Assys Where Needed |
|------|--------------|-------------------------|------------------|------|---|-------------------------|
| 1    | 20107        | MEDALLION, LOGO         |                  | 1    | (OLD DESIGN) FULLER LOGO ONLY             |                         |
| 1    | 21691        | LOGO MEDALLION          | 4302349, 4300370 | 1    | (OLD DESGIN) FULLER LOGO (LEFT OF DRIVER) |                         |
| 1    | 5586100      | MEDALLION, LOGO         |                  | 1    | (LATEST DESIGN) FULLER LOGO ONLY          | A-6918,A-7318           |
| 1    | 5586114      | SHIFT DIAGRAM MEDALLION |                  | 1    | RTLO                                      | S-2555                  |
| 2    | K-2072       | MASTER VALVE REPAIR KIT |                  | 1    | FOR A-5013 VALVE                          |                         |
| 2    | K-2073       | MASTER VALVE REPAIR KIT |                  | 1    | FOR A-5318 VALVE                          |                         |
| 2    | K-3191       | MASTER VALVE REPAIR KIT |                  | 1    | FOR A-6918 VALVE                          |                         |
| 2    | K-3196       | MASTER VALVE REPAIR KIT |                  | 1    | FOR A-7318 VALVE                          |                         |
| 3    | 20495        | LEVER                   |                  | 1    |   | A-6918,A-7318           |
| 4    | 20112        | COVER                   |                  | 1    |   | A-6918,A-7318           |
| 5    | X-8-213      | SCREW                   | X 8 202          | 2    | 8-32X3/8"                                 |                         |
| 6    | X-9-802      | NUT                     |                  | 1    | 1/2"-13                                   |                         |
| 7    | 84001        | CONNECTOR ASSY          | 82501            | 3    | 1/8" TUBE-1/16" NPTF                      |                         |
| 7    | 84003        | CONNECTOR ASSY          | 82503            | 3    | 5/32" TUBE-1/16" NPTF                     | K-2993                  |
| 7    | 84005        | CONNECTOR ASSY          |                  | 3    | "PUSH-TO-CONNECT" 5/32" TUBE-1/16" NPTF   |                         |
| 10   | 85001        | ELBOW ASSY              | 84501            | 3    | 5/32" TUBE-1/8" NPTF                      | K-2338,K-2993           |
| 10   | 85002        | ELBOW ASSY              | 84502            | 3    | 1/8" TUBE-1/8" NPTF                       |                         |
| 10   | 85003        | ELBOW ASSY              |                  | 3    | "PUSH-TO-CONNECT" 5/32" TUBE-1/8" NPTF    | K-3333                  |
| 11   | 84101        | UNION ASSY              |                  | 1    | 1/8" TUBING                               |                         |
| 11   | 84102        | UNION ASSY              |                  | 1    | 5/32" TUBING                              |                         |
| 11   | 84103        | UNION ASSY              |                  | 1    | "PUSH-TO-CONNECT" 5/32" TUBING            |                         |
| 12   | 13571        | -O- RING CLAMP          |                  | 1    |   |                         |
| 13   | 4301233      | REDUCER BUSHING         | 18004            | 1    |   |                         |
| 999  | A-6918       | ROADRANGER VALVE ASSY   | A - 5013         | 1    | STANDARD-W/LOGO                           |                         |
| 999  | A-7318       | ROADRANGER VALVE ASSY   | A - 5318         | 1    | (LEFT OF DRIVER)-W/LOGO                   |                         |
| 999  | S-2555       | ROADRANGER VALVE ASSY   |                  | 1    | RTLO - W/SHIFT DIAGRAM MEDALLION          |                         |



10220-1/92 Standard

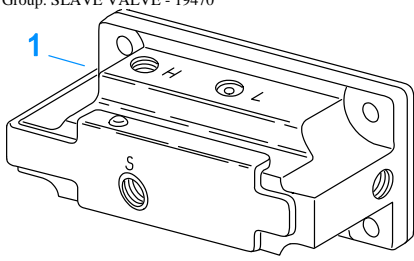
### SHIFT BAR HOUSING (STD)

| Item | Current Part | Description         | Replaced Part | Qty. | Notes        | Kits/Assys Where Needed |
|------|--------------|---------------------|---------------|------|--------------|-------------------------|
| 1    | S-1440       | SHIFT BAR HSG (STD) | 20211 ,22955  | 1    | HOUSING ONLY |                         |
| 2    | 4302676      | GASKET              | 14918         | 1    |              | K-2199,S-1529,S-1531    |
| 3    | 4304602      | BREATHER            | 23605         | 1    | 1/4" NPT     |                         |
| 3    | X-12-404     | PIPE PLUG           |               | 1    | 1/4" NPT     |                         |
| 4    | 20070        | OIL TROUGH          |               | 1    |              | S-1529,S-1531           |
| 5    | 20332        | AIR VALVE SHAFT     | 17177         | 1    |              | S-1529,S-1531           |

| Item | Current Part | Description              | Replaced Part | Qty. | Notes  | Kits/Assys Where Needed     |
|------|--------------|--------------------------|---------------|------|--|-----------------------------|
| 6    | X-8-423      | CAPSCREW                 |               | 2    | 1/4"-20X1/2"   |                             |
| 7    | X-12-603     | PIPE PLUG                | X12 602       | 1    | 3/8" NPT   |                             |
| 8    | 20209        | GASKET                   |               | 1    |  | S-1440,S-1529,S-1531        |
| 9    | 20199        | PLATE                    | 18724         | 1    |  | S-1440,S-1529,S-1531        |
| 10   | X-3-400      | LOCKWASHER               |               | 2    | 1/4"   |                             |
| 11   | X-8-406      | CAPSCREW                 |               | 2    | 1/4"-20X3/4"   |                             |
| 12   | 17179        | GASKET                   |               | 1    |  | S-1440,S-1529,S-1531        |
| 13   | 4303655      | PLUG                     | 17178         | 1    |  | S-1440,S-1529,S-1531        |
| 14   | 22941        | NEUTRAL LIGHT SWITCH     | 12639         | 1    | SWITCH NORMALLY CLOSED   |                             |
| 15   | 20815        | LIFTING EYE              | 17105         | 2    |  | S-1892                      |
| 16   | X-8L-602     | CAPSCREW                 |               | 2    | 3/8"-16X1-1/2" USE W/20815 LIFTING EYES                          |                             |
| 16   | X-8L-604     | CAPSCREW                 |               | 16   | 3/8"-16X1-1/4"- OR USE 14 PCS OF X-8L-604 WITH 2 PCS OF X-8L-602 |                             |
| 17   | 15899        | PIN                      |               | 1    |  | S-1440,S-1529,S-1531        |
| 18   | 15900        | GASKET                   |               | 1    |  | S-1440,S-1529,S-1531        |
| 19   | 22940        | REVERSE LIGHT SWITCH     | 16830         | 1    | SWITCH NORMALLY OPEN   |                             |
| 20   | 4303656      | PLUG                     | 15917         | 1    |  | S-1440,S-1529,S-1531        |
| 21   | 15918        | SPRING                   |               | 3    |  | K-2433,K-2993,S-1529,S-1531 |
| 22   | X-14-800     | STEEL BALL               |               | 3    | 1/2"   |                             |
| 23   | 16131        | SHIFT YOKE               |               | 1    | REVERSE  | S-1219,S-1531               |
| 24   | X-14-1200    | STEEL BALL               |               | 2    | 3/4"   |                             |
| 25   | 14658        | SHIFT BLOCK              |               | 1    | 1ST/2ND  | S-1531                      |
| 26   | 3220         | LOCKSCREW                |               | 5    |  | S-1529,S-1531               |
| 27   | 1634         | INTERLOCK PIN            |               | 1    |  | K-2433,S-1529,S-1531        |
| 28   | 14659        | SHIFT BLOCK              |               | 1    | 3RD/DIRECT   | S-1531                      |
| 29   | 16136        | SHIFT YOKE               |               | 1    | 3RD/DIRECT   | S-1529,S-1531               |
| 30   | 16134        | YOKE BAR                 |               | 1    | 3RD/DIRECT   | S-1531                      |
| 31   | 16135        | SHIFT YOKE               |               | 1    | 1ST/2ND  | S-1529,S-1531               |
| 32   | 16133        | YOKE BAR                 |               | 1    | 1ST/2ND  | S-1531                      |
| 33   | 16132        | YOKE BAR                 |               | 1    | REVERSE/LOW  | S-1531                      |
| 34   | 10019        | PLUNGER                  |               | 1    |  | S-1219,S-1529,S-1531        |
| 35   | 6392         | SPRING                   |               | 1    |  | S-1219,S-1529,S-1531        |
| 36   | 8968         | PLUG                     |               | 1    |  | S-1219,S-1529,S-1531        |
| 999  | S-1531       | SHIFT BAR HSG ASSY (STD) | 20211 ,22955  | 1    | COMPLETE   |                             |



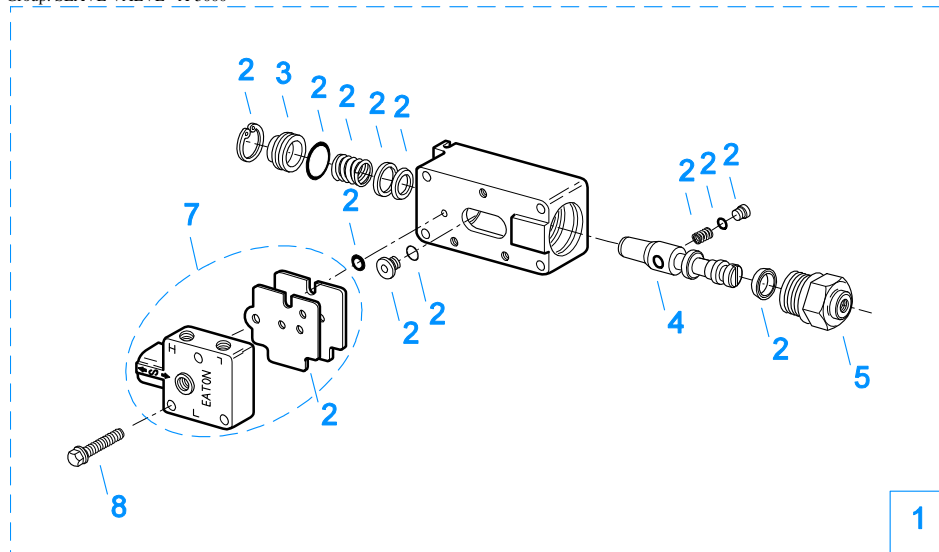
Group: SLAVE VALVE - 19470



10121-1/92 19470 SV

## SLAVE VALVE - 19470

| Item | Current Part | Description           | Replaced Part | Qty. | Notes | Kits/Assys Where Needed |
|------|--------------|-----------------------|---------------|------|-------|-------------------------|
| 1    | K-2424       | VALVE REPLACEMENT KIT | 19470         | 1    |       |                         |

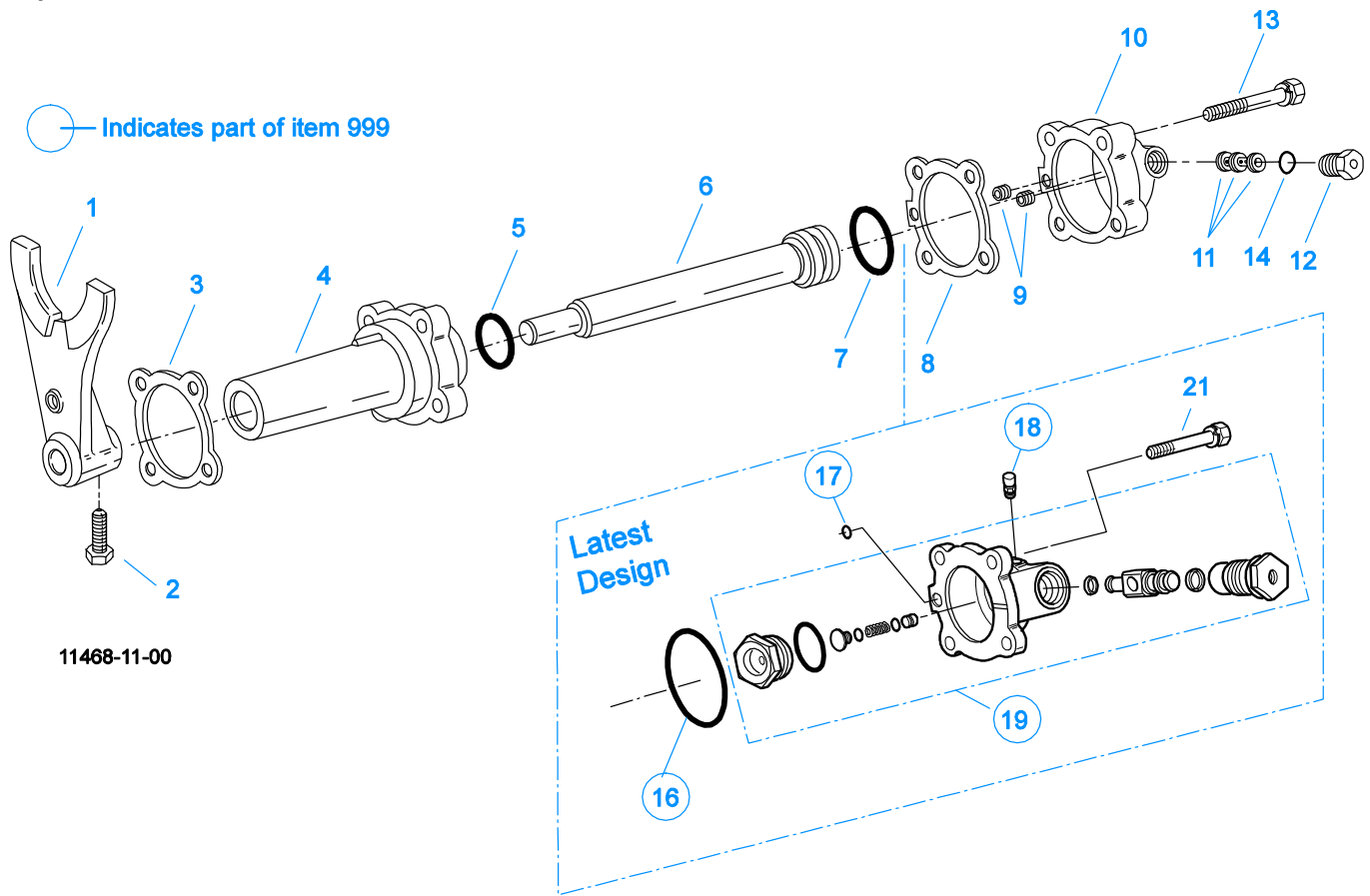


2 Repair Kit

10120-10-97 A-5000 SV

### SLAVE VALVE - A-5000

| Item | Current Part | Description            | Replaced Part | Qty. | Notes            | Kits/Assys Where Needed |
|------|--------------|------------------------|---------------|------|------------------|-------------------------|
| 1    | A-5000       | SLAVE VALVE ASSY       | 20850         | 1    |                  | K-2424                  |
| 2    | K-1935       | REPAIR KIT-SLAVE VALVE |               | 1    | FOR A-5000 VALVE |                         |
| 3    | 20855        | PLUG                   |               | 1    |                  | A-5000                  |
| 4    | 20854        | PISTON                 |               | 1    |                  | A-5000                  |
| 5    | 20849        | CAP                    | 15131         | 1    |                  | A-5000                  |
| 7    | S-1516       | CAP ASSY               | 20851 ,20853  | 1    |                  |                         |
| 8    | X-8C-413     | CAPSCREW               |               | 3    | 1/4"-20X1-1/2"   |                         |



## SPLITTER CYLINDER

| Item | Current Part | Description           | Replaced Part | Qty. | Notes                | Kits/Assys Where Needed |
|------|--------------|-----------------------|---------------|------|----------------------|-------------------------|
| 1    | 21607        | SHIFT YOKE            |               | 1    |                      |                         |
| 2    | 3220         | LOCKSCREW             |               | 1    |                      | S-1529,S-1531           |
| 3    | 14632        | GASKET                |               | 1    |                      | K-2078,K-2199           |
| 4    | 21609        | SPLITTER CYLINDER     |               | 1    |                      |                         |
| 5    | 21208        | -O- RING              |               | 1    |                      | K-2002,K-2078           |
| 6    | 4300182      | YOKE BAR              |               | 1    |                      |                         |
| 7    | 21209        | -O- RING              |               | 1    |                      | K-2002,K-2078           |
| 8    | 17073        | GASKET                |               | 1    |                      | K-2002,K-2078,K-2199    |
| 9    | X-12-101     | PLUG                  |               | 2    | NOT SOLD FOR SERVICE |                         |
| 10   | 21760        | COVER                 |               | 1    |                      |                         |
| 11   | 19974        | INSERT VALVE          | 15512 4303616 | 1    |                      | K-2338,K-2993,K-2996    |
| 12   | 4301233      | REDUCER BUSHING       | 18004         | 1    |                      |                         |
| 13   | X-8L-540     | CAPSCREW              |               | 4    | 5/16"-18X1-7/8"      |                         |
| 14   | 5568504      | -O- RING              |               | 1    |                      |                         |
| 16   | 5568534      | -O- RING              |               | 1    |                      | K-2078,K-3333           |
| 17   | 13653        | -O- RING              |               | 1    |                      | K-3333                  |
| 18   | X2014210     | BREATHER              | 7935          | 1    |                      |                         |
| 19   | K-3333       | SPLITTER VLV REPL KIT | A - 6861      | 1    |                      |                         |
| 21   | X-8L-540     | CAPSCREW              |               | 4    | 5/16"-18X1-7/8"      |                         |
| 999  | K-3333       | SPLITTER VLV REPL KIT | A - 6861      | 1    |                      |                         |

