



Roadranger®

More time on the road®

Illustrated Parts List

RTLO-22918B
July 2011

Contents

| | |
|---|----|
| How To Use The Illustrated Parts List | 3 |
| AUXILIARY DRIVE GEAR..... | 4 |
| CASE (AUX) | 5 |
| CASE (FRONT) | 7 |
| COUNTERSHAFT & BRGS(AUX)..... | 9 |
| COUNTERSHAFT ASSY | 10 |
| FILTER REGULATOR..... | 11 |
| H & C W/A-5000 VALVE..... | 12 |
| HEAT EXCHANGER | 13 |
| INPUT SHAFT & DRIVE GEAR | 14 |
| INTEGRAL OIL PUMP | 15 |
| ISOLATORS | 17 |
| KITS & ASSEMBLIES | 18 |
| LEVERS/HOUSINGS | 20 |
| MAINSHAFT & SYNCHRO(AUX)..... | 22 |
| MAINSHAFT ASSY | 23 |
| MISCELLANEOUS | 24 |
| OIL FILTER | 25 |
| RANGE CYLINDER..... | 26 |
| REVERSE IDLER..... | 27 |
| ROADRANGER VALVE | 29 |
| SHIFT BAR HOUSING | 30 |
| SLAVE VALVE - A-5000..... | 32 |
| SPLITTER CYLINDER | 33 |

How To Use The Illustrated Parts List

The information contained in this document is subject to frequent updates. Therefore, for the latest information available, please visit the interactive Electronic Parts Catalog at www.roadranger.com/epc.

Model Designation or Nomenclature

- For information regarding Model Designation and Nomenclature, visit www.roadranger.com.

Kits and Assemblies (K/A's)

- Kits and Assemblies contain groups of individual or assembled parts developed for optimal replacement or repair of a service problem.
- Kits and Assemblies are shown with applicable parts groupings in the parts listings.

Identifying Kits and Assemblies

A- Part numbers beginning with the letter 'A' are pre-assembled Production Assemblies

K- Part numbers beginning with the letter 'K' are kits that are not assembled

S- Part numbers beginning with the letter 'S' are pre-assembled Service Assemblies

- Note: Some Production Assemblies do not begin with a letter prefix (Midrange only).

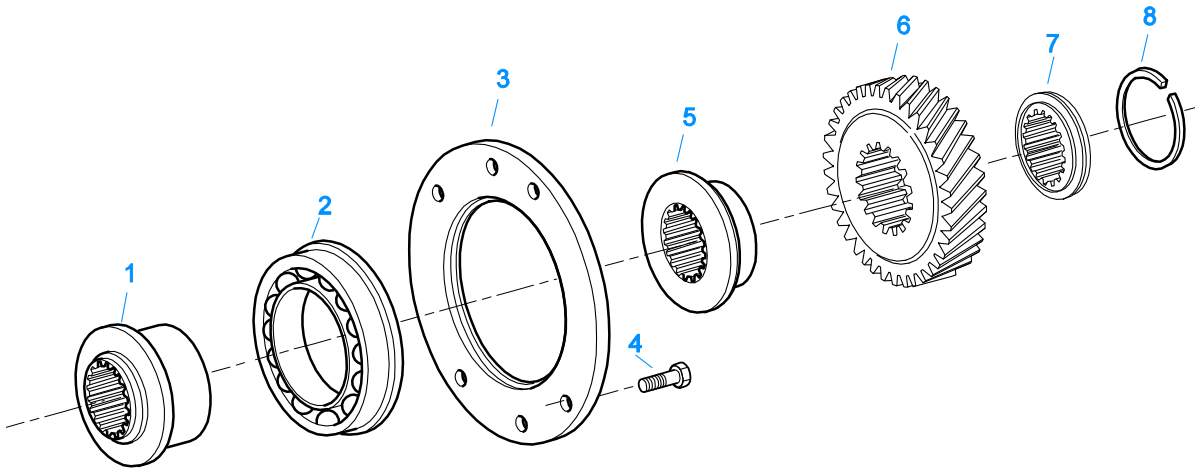
Illustrations

- Illustrations show parts in assembly groups.
- Item numbers on illustrations correspond with parts listings on pages adjacent to the illustration.
- Notes are included on illustrations where additional information is needed.

Parts Listing

Parts listings are defined by parts groupings and are broken down by service assemblies. Parts listings identify a part for servicing with the following categories

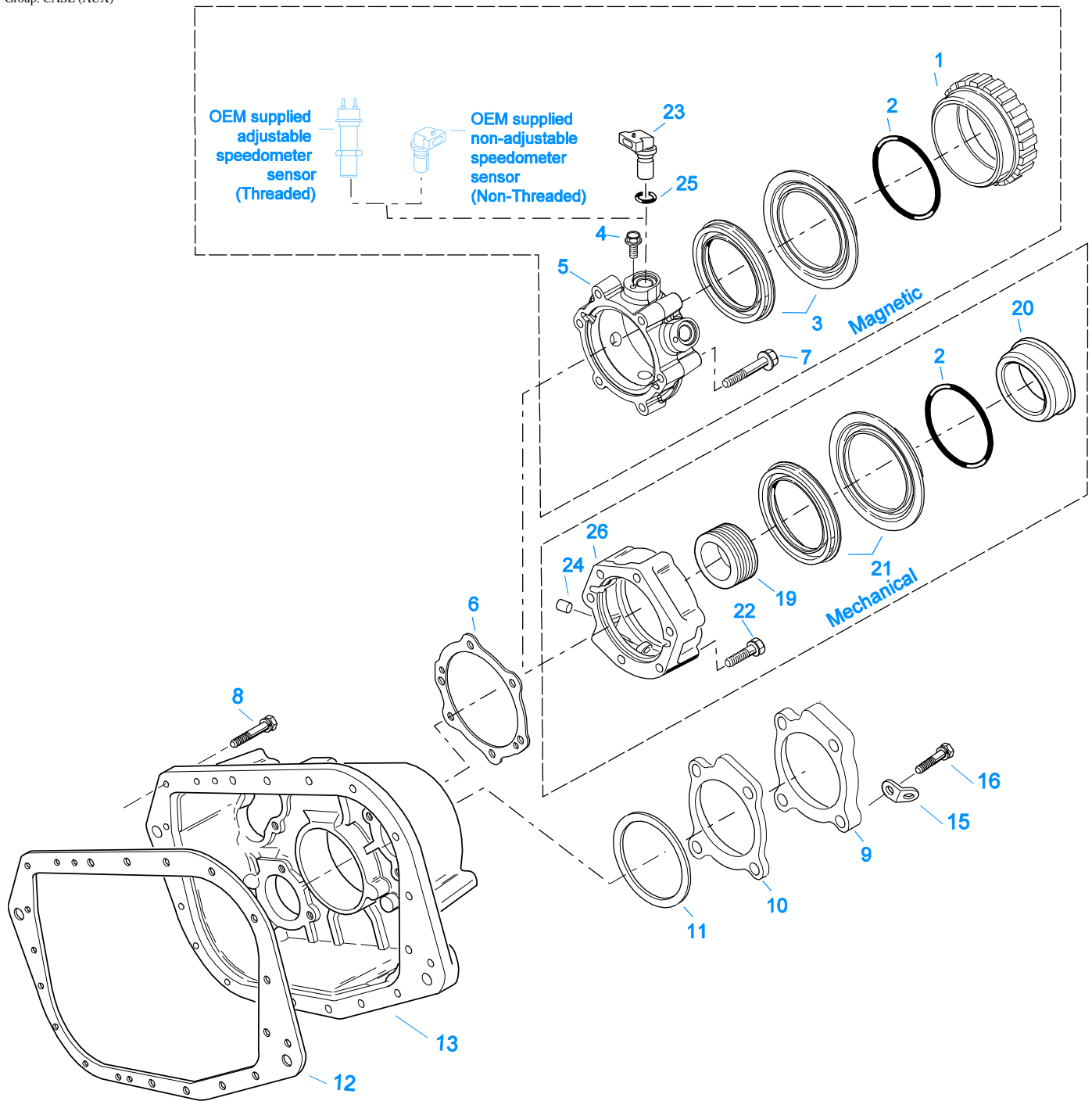
- **Item Number** - corresponding with numbers on illustrations for part identification.
- **Current Part** - identifies part as it is available for service.
- **Description** - specifies part name or description.
- **Replaced Part** - quantity quantity required for assembly.
- **Quantity** - defines unique characteristics or requirements.
- **Notes** - indicates Kits or Assemblies that contain a particular part.
- **Kits/Assy's Where Used**



10484-6-93

AUXILIARY DRIVE GEAR

| Item | Current Part | Description | Replaced Part | Qty. | Notes | Kits/Assys Where Needed |
|------|--------------|----------------------|---------------|------|----------------|-----------------------------|
| 1 | 4304499 | SPACER | | 1 | | |
| 2 | 5566510-BOX | BEARING | 5566510 | 1 | | K-3461,K-3462,K-3752 |
| 3 | 4304497 | RETAINER | | 1 | | |
| 4 | X-8-680 | CAPSCREW | | 6 | 3/8"-16X1-1/2" | |
| 5 | 4304500 | SPACER | | 1 | | |
| 6 | 4304786 | AUXILIARY DRIVE GEAR | | 1 | | |
| 7 | 4303185 | WASHER | 4300901 | 1 | | |
| 8 | 4301254 | SNAP RING | | 1 | | K-3327,K-3461,K-3462,K-3752 |

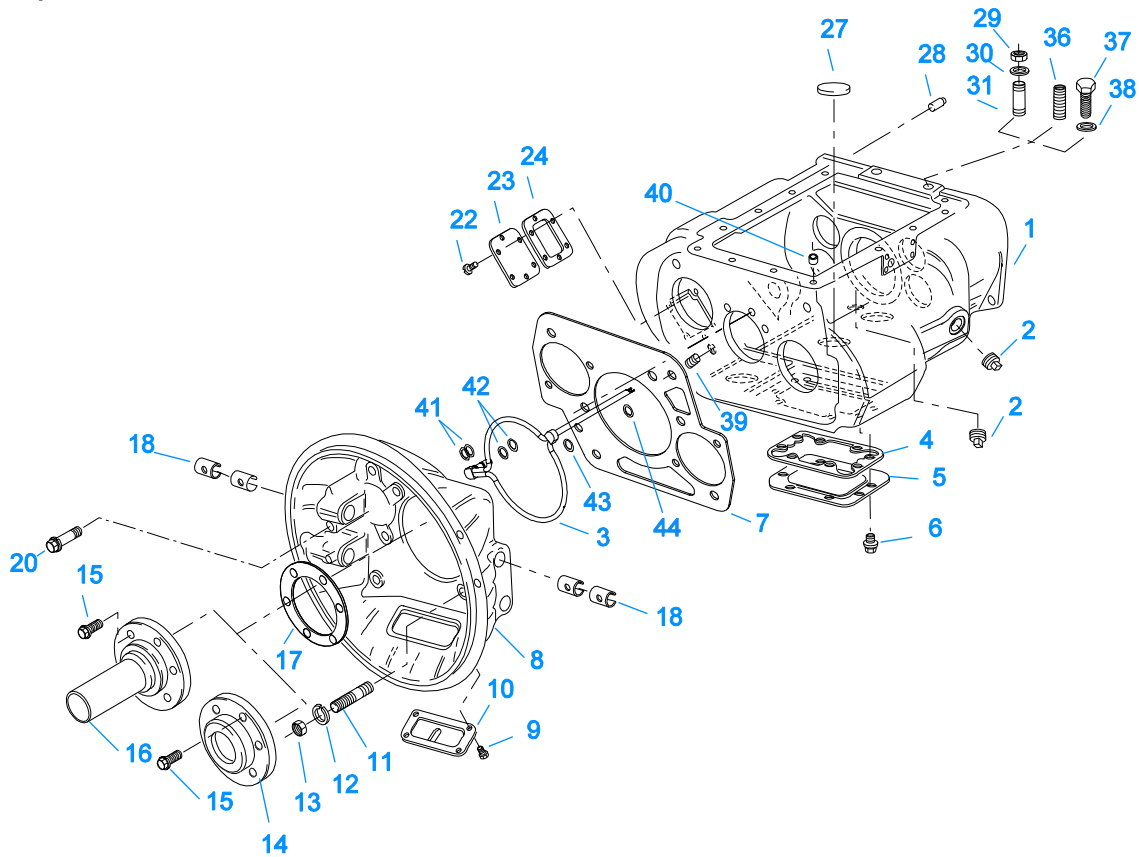


10419A-5-00

CASE (AUX)

| Item | Current Part | Description | Replaced Part | Qty. | Notes | Kits/Assys Where Needed |
|------|--------------|--------------------------|------------------------------------|------|--|---------------------------------------|
| 1 | S-2501 | SPEEDO ROTOR ASSY | 4302242 | 1 | MAGNETIC | |
| 2 | 5568511 | -O- RING | | 1 | | K-2918,S-2501,S-2503,S-2809,S-2889 |
| 3 | K-2918 | OIL SEAL KIT | 4302322 4302323 | 1 | "FOR MAGNETIC COVER" | K-3461,K-3462,K-3752 |
| 4 | X-8-0801M | CAPSCREW | | 2 | M8 X 1.25 X 12MM | S-2889 |
| 5 | S-2809 | REAR BEARING COVER ASSY | 4302332 ,4303872 ,4304652 ,4305830 | 1 | PUSH-IN/THREAD-IN MAGNETIC PICK-UP | |
| 6 | 1009551 | GASKET - RED EDGE MOLDED | | 1 | RED EDGE MOLDED GASKET - UNCOMPRESSED THICKNESS .043 - | K-2262,K-2918,K-3458,S-2502,S-2809,S- |

| Item | Current Part | Description | Replaced Part | Qty. | Notes | Kits/Assys Where Needed |
|------|--------------|--------------------------------|---------------------|------|---|---------------------------------|
| | | | | | .051 - NOT INTERCHANGEABLE WITH ANY OTHER GASKET | 2859 |
| 6 | 4302247 | GASKET - PURPLE EDGE MOLDED | | 1 | NON EDGE MOLDED GASKET - UNCOMPRESSED THICKNESS - .013 - .018 - NOT INTERCHANGABLE WITH ANY OTHER GASKET | K-2262,K-2918,K-3458 |
| 7 | X-8L-611 | CAPSCREW | | 4 | 3/8"-16X3-1/4" | |
| 7 | X-8L-614 | CAPSCREW | | 6 | 3/8"-16X2" USE W/4303872 RBC | |
| 7 | X-8L-614 | CAPSCREW | | 2 | 3/8"-16X2" | |
| 8 | X-8L-602 | CAPSCREW | | 17 | 3/8"-16X1-1/2" | |
| 8 | X-8L-614 | CAPSCREW | | 2 | 3/8"-16X2" | |
| 9 | 4302320 | COVER | 21346 | 2 | | S-2889 |
| 10 | 4305978 | GASKET | 4302246 | 2 | | K-3458,S-2889 |
| 11 | K-2805 | SHIM KIT | 21452 K - 2106 | 1 | | K-3461,K-3462,K- 3752,S-2889 |
| 12 | 14335 | GASKET | | 1 | | K-3458,S-2889 |
| 13 | 4303586 | REAR HOUSING | | 1 | | |
| 15 | 20815 | LIFTING EYE | 17105 | 2 | | S-2889 |
| 16 | X-8L-604 | CAPSCREW | | 8 | 3/8"-16X1-1/4" | |
| 19 | 86104 | SPEEDO DRIVE GEAR | | 1 | | |
| 20 | S-2503 | SPEEDO SPACER ASSY | 4302590 | 1 | MECHANICAL | |
| 21 | K-2262 | OIL SEAL W/SLINGER | 19109 ,20807 ,20808 | 1 | "FOR MECHANICAL COVER" | |
| 22 | X-8L-616 | CAPSCREW | X 8 616 | 6 | 3/8"-16X2-3/4" | |
| 23 | K-3454 | SPEED SENSOR KIT | A - 6398 ,A - 6724 | 1 | SINGLE PICK-UP (2 PIN) | |
| 23 | K-3455 | SPEED SENSOR KIT, DUAL | A - 7046 ,A - 7518 | 1 | DUAL PICK-UP (4 PIN) | |
| 24 | 7992 | BUSHING | | 1 | | S-2502,S-2859 |
| 25 | 14142 | -O- RING | | 1 | | S-2889 |
| 26 | S-2502 | REAR BRG COVER ASSY | 4303604 ,4305827 | 1 | MECHANICAL - 4:00 OPENING | |
| 26 | S-2859 | REAR BRG COVER ASSY | 4302732 ,4305826 | 1 | MECHANICAL - 6:00 OPENING | |

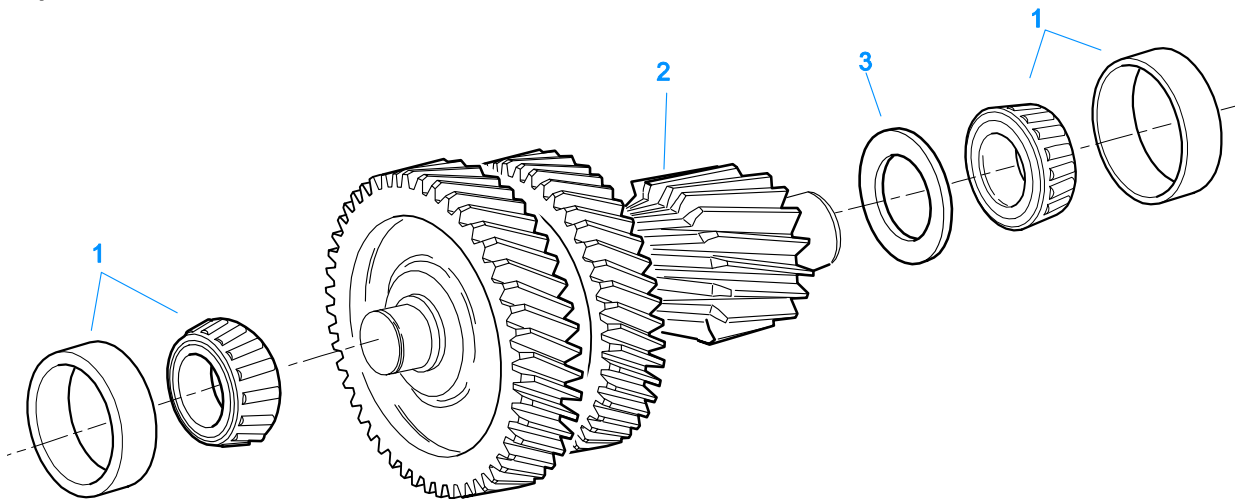


10319-11-99 Alum Hsg

CASE (FRONT)

| Item | Current Part | Description | Replaced Part | Qty. | Notes | Kits/Assys Where Needed |
|------|--------------|-------------------------|----------------------------|------|--|---|
| 1 | S-3001 | CASE ASSEMBLY | 4305390 ,4305810 ,S - 2891 | 1 | | |
| 2 | 4304023 | PLUG | 4303747 | 2 | 1-1/16" MAGNETIC, O-RING INCLUDED | K-3752,S-3001 |
| 3 | A-7194 | LUBE TUBE ASSY | 4304921 ,A - 7141 | 1 | CAN BE USED W/4305390 OR 4304796 CASE | |
| 3 | A-7471 | EXTENDED LUBE TUBE ASSY | 4305393 | 1 | CAN ONLY BE USED W/4305390 CASE | |
| 4 | 4305310 | GASKET | 4302810 | 1 | | K-3458 |
| 5 | 4302809 | PTO COVER | 16596 ,4300571 | 1 | | |
| 6 | X-8-725 | CAPSCREW | X 8 724 | 8 | 7/16"-14X7/8" | |
| 7 | 4306584 | CLUTCH HOUSING GASKET | 4304815,4305668 | 1 | | K-3458,K-3671,K-3672,K-3673,K-3676,K-3677 |
| 8 | K-3671 | FORCED LUBE CL HSG KIT | A - 7148 | 1 | #1 PULL IRON | |
| 8 | K-3672 | FORCED LUBE CL HSG KIT | A - 7149 ,A - 7150 | 1 | #1 PULL IRON - NODAL MOUNT - UPPER/LOWER | |
| 8 | K-3673 | FORCED LUBE CL HSG KIT | A - 7146 | 1 | #1 PULL ALUMINUM - NODAL MOUNT | |
| 8 | K-3676 | FORCED LUBE CL HSG KIT | A - 7145 | 1 | #1 PULL ALUMINUM | |
| 8 | K-3677 | FORCED LUBE CL HSG KIT | A-7592 | 1 | #1 PULL IRON - NODAL MOUNT - UPPER | |
| 9 | 239614 | SCREW | X-8L-509 | 4 | 5/16-18X.81 QUANTITY DEPENDENT ON DESIGN | |
| 10 | 4305230 | HAND HOLE COVER | 11453 | 1 | #1 PULL | |
| 10 | 4305231 | HAND HOLE COVER | 1565 | 1 | #1 PUSH | |
| 11 | 4306583 | STUD | 5966 | 6 | | |
| 12 | X-10-1005 | WASHER | X 3 1000 ,X10 1000 | 6 | 1.23 X 6.60 | |
| 13 | X-1-1012 | HEX NUT | ,X10 1004 X-1-1005 | 6 | .625-18 | |

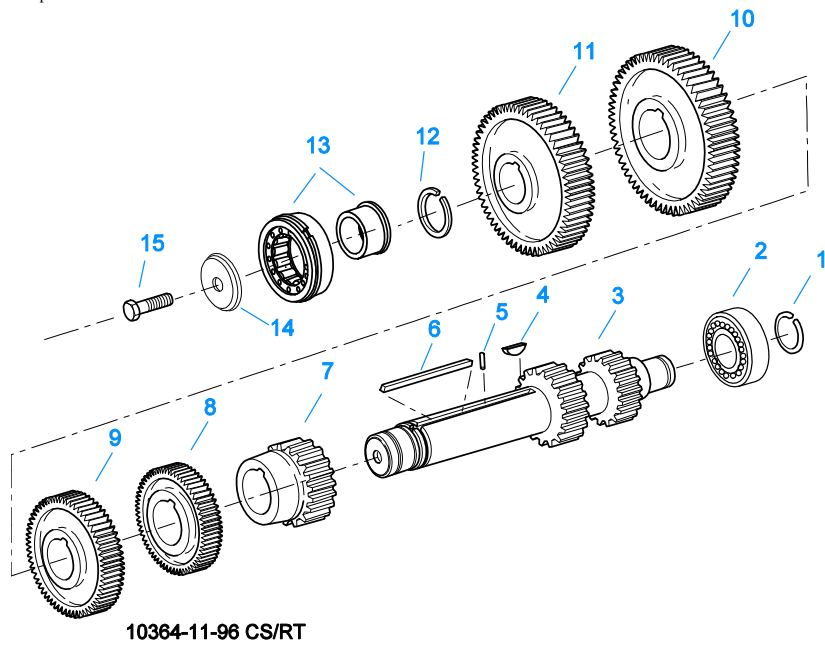
| Item | Current Part | Description | Replaced Part | Qty. | Notes | Kits/Assys Where Needed |
|------|--------------|-------------------------------|---------------------------------|------|-----------------|-------------------------|
| 14 | 20550 | FRONT BEARING COVER | | 1 | 2" PULL | K-3752,K-3768 |
| 15 | X-8L-604 | CAPSCREW | | 6 | 3/8"-16X1-1/4" | |
| 16 | 20549 | FRONT BEARING COVER | | 1 | 2" PUSH | |
| 17 | 14311 | GASKET | | 1 | | K-3458 |
| 18 | 12815 | BUSHING | | 4 | | K-3752,K-3768 |
| 20 | X-8C-830 | HEX HEAD SCREW/WASHER ASSY | X-8C-826 | 4 | .500-13 X 1.490 | K-3677 |
| 20 | X-8C-831 | HEX HEAD SCREW/WASHER ASSY | X-8C-822 | 2 | .500-13 X 3.460 | |
| 22 | X-8-686 | CAPSCREW | | 6 | 3/8"-16X3/4" | |
| 23 | 14575 | PTO COVER | 4302254 | 1 | | |
| 24 | 4305309 | GASKET | 1684 | 1 | | K-3458 |
| 27 | 14373 | MAGNET | | 3 | | K-3752,S-3001 |
| 28 | 18128 | PIN | | 2 | | |
| 29 | X-1-1012 | HEX NUT | | 2 | .625-18 | |
| 30 | X-10-1005 | WASHER | X 3 1000 ,X10 1000 ,X10 1004 | 2 | 1.23 X 6.60 | |
| 31 | 14554 | STUD | 1632 ,6579 | 2 | 5/8" X 2-3/16" | |
| 36 | 23104 | PLUG | 1712 | 2 | | |
| 37 | X-8-1005 | CAPSCREW | | 2 | 5/8"-11X1-1/4" | |
| 38 | 20814 | SPACER | | 2 | | |
| 39 | X-12-802 | PIPE PLUG | X12 800 | 1 | 1/2" | |
| 40 | 4302680 | BUSHING | | 1 | | |
| 41 | 13835 | -O- RING | | 2 | | K-3341,K-3752 |
| 42 | 13653 | -O- RING | | 2 | | K-3331,K-3341,K-3752 |
| 43 | 5568544 | -O- RING | | 1 | | K-3341 |
| 44 | 13834 | -O- RING | | 1 | | K-3341 |



10444-5/93 CS Helical

COUNTERSHAFT & BRGS(AUX)

| Item | Current Part | Description | Replaced Part | Qty. | Notes | Kits/Assys Where Needed |
|------|--------------|----------------------|---------------|------|---------------------------------------|-------------------------|
| 1 | 4301851-BOX | BEARING | 4301851 | 4 | | K-3461,K-3462,K-3752 |
| 2 | A-7062 | WELDED CNTRSHFT ASSY | | 2 | C/S 4303143 - D/G 4304787 S/G 4304789 | |
| 3 | 4303124 | SPACER | | 2 | | |



COUNTERSHAFT ASSY

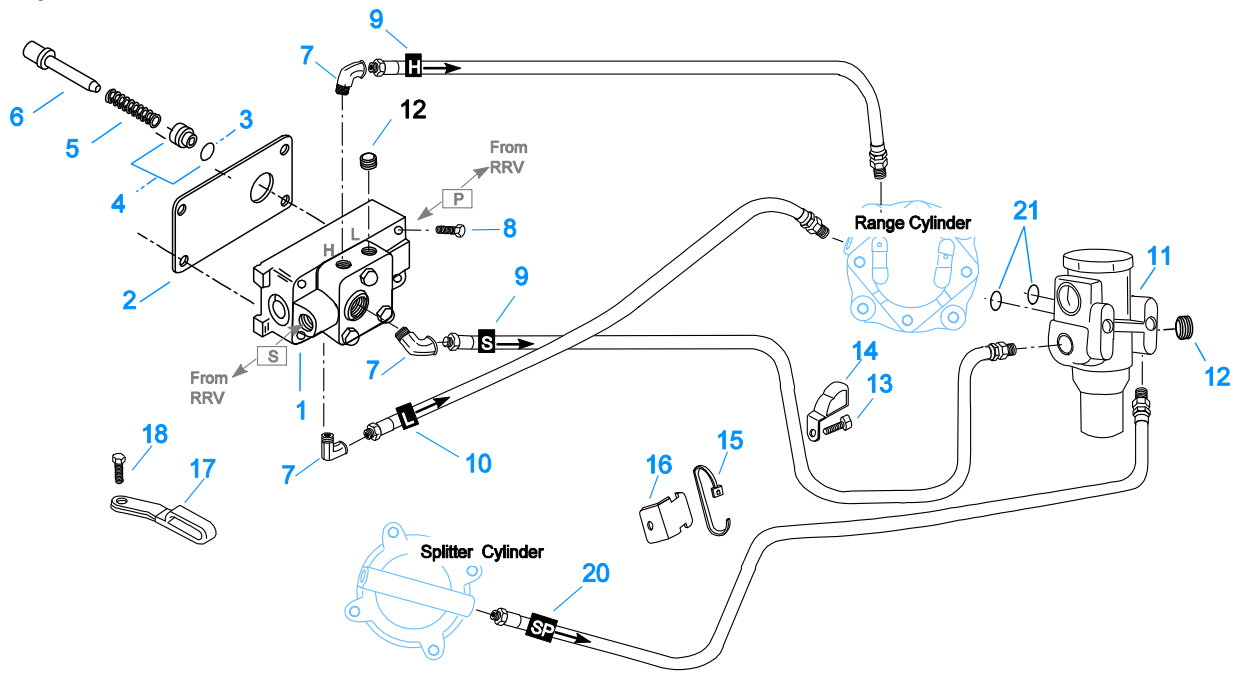
| Item | Current Part | Description | Replaced Part | Qty. | Notes | Kits/Assys Where Needed |
|------|--------------|------------------------------|---------------------------|------|---------------------------------------|---|
| 0 | S-3097 | COUNTERSHAFT ASSEMBLY, RIGHT | | 1 | COMPLETE COUNTERSHAFT ASSEMBLY, RIGHT | |
| 0 | S-3098 | COUNTERSHAFT ASSEMBLY, LEFT | | 1 | COMPLETE COUNTERSHAFT ASSEMBLY, LEFT | |
| 1 | 4302082 | SNAP RING | | 2 | | K-3327,K-3461,K-3462,K-3752,S-3097,S-3098 |
| 2 | 4302712 | BEARING | | 2 | | K-3461,K-3462,K-3752 |
| 3 | K-2947 | COUNTERSHAFT REPL KIT | 4302652 | 2 | | |
| 4 | X-6-E | KEY | | 2 | | S-3097,S-3098 |
| 5 | 62511 | ROLL PIN | | 2 | | S-3097,S-3098 |
| 6 | 4304840 | KEY | 19673 | 2 | | S-3097,S-3098 |
| 7 | 4304802 | 1ST GEAR-CNTRSHFT | | 2 | | S-3097,S-3098 |
| 8 | 4304518 | 2ND GEAR-CNTRSHFT | 4303700 | 2 | | S-3097,S-3098 |
| 9 | 4304790 | OD GEAR-CNTRSHFT | | 2 | | K-3752,S-3097,S-3098 |
| 10 | 15953 | PTO GEAR - LOWER | | 1 | | S-3098 |
| 10 | 20840 | PTO GEAR - UPPER | 15952 | 1 | | S-3097 |
| 11 | 4304792 | DRIVE GEAR-CNTRSHFT | | 2 | | K-3752,S-3097,S-3098 |
| 12 | 19198 | SNAP RING | | 2 | | K-3327,K-3752,S-3097,S-3098 |
| 13 | 4304599 | BEARING | 4302677, 4304598, 4306332 | 2 | | K-3461,K-3462,K-3752 |
| 14 | 4304605 | RETAINER | 19548 | 2 | | |
| 15 | X-7-1005 | CAPSCREW | | 2 | 5/8"-18X1-3/4" | |

Group: FILTER REGULATOR



FILTER REGULATOR

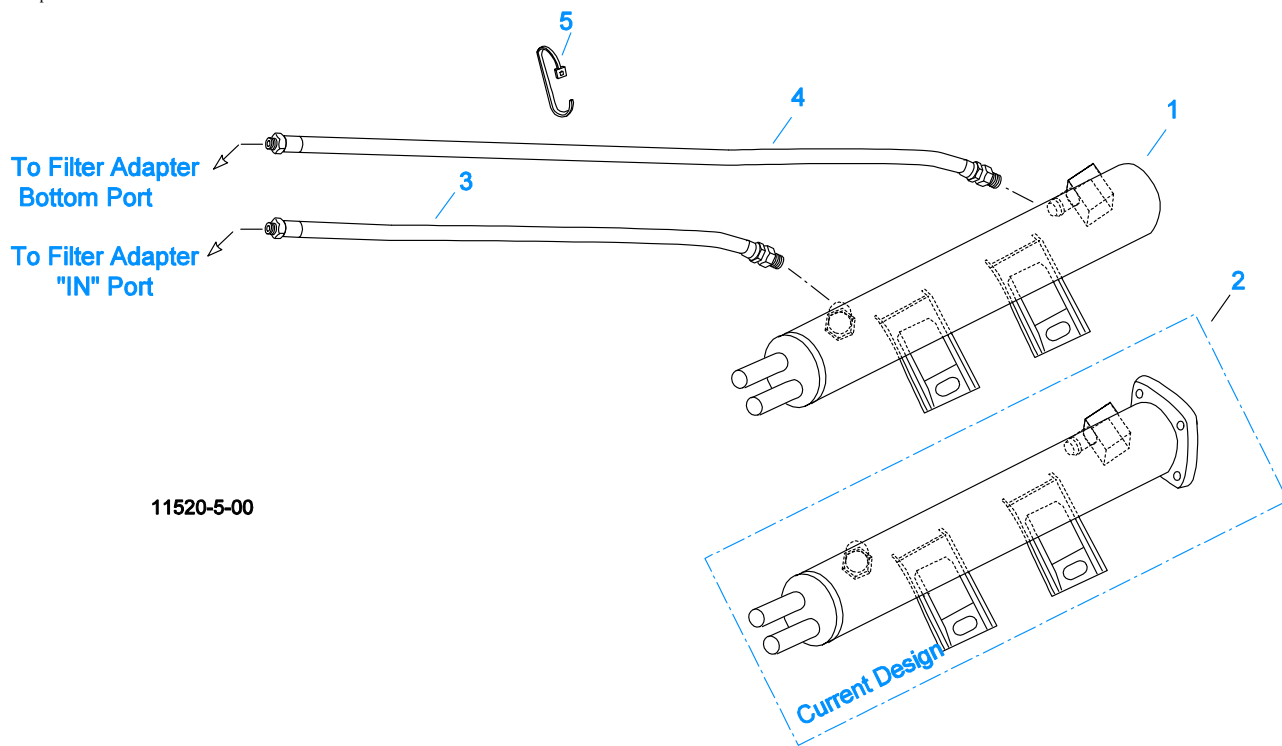
| Item | Current Part | Description | Replaced Part | Qty. | Notes | Kits/Assys Where Needed |
|------|--------------|----------------------|---------------|------|----------------------|-------------------------|
| 1 | A-4740 | FILTER/REGULATOR | 19600 | 1 | | K-3752 |
| 2 | K-1698 | -O- RING/ELEMENT KIT | | 1 | FOR FILTER REGULATOR | |
| 3 | X-8C-412 | CAPSCREW | X 8S 412 | 2 | 1/4"-20X2-1/4" | |



10110I-2/94 A-5000 HC spl cyl

H & C W/A-5000 VALVE

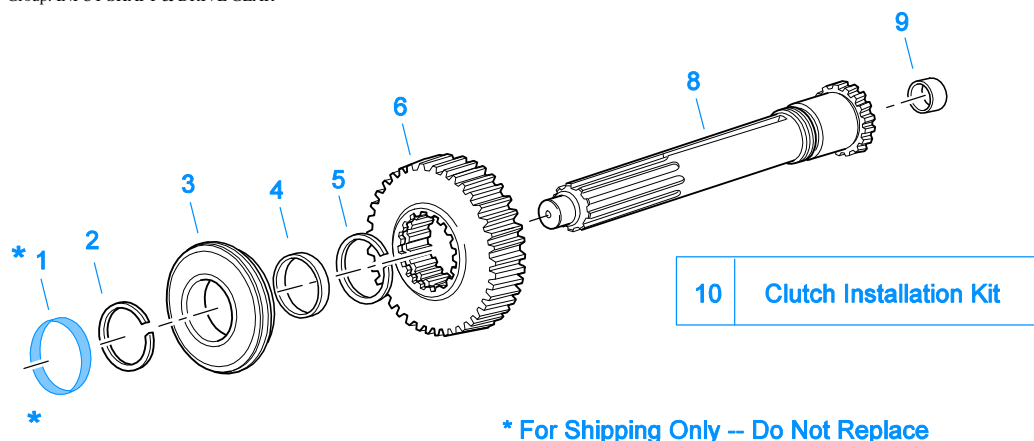
| Item | Current Part | Description | Replaced Part | Qty. | Notes | Kits/Assys Where Needed |
|------|--------------|------------------|---------------------|------|------------------|-----------------------------|
| 1 | A-5000 | SLAVE VALVE ASSY | 20850 | 1 | | K-3752 |
| 2 | 19481 | GASKET | | 1 | | K-3458 |
| 3 | 19462 | -O- RING | 14033 | 1 | | K-1969 |
| 4 | K-1969 | SLEEVE KIT | 14362 ,19460 ,21446 | 1 | FOR SLAVE VALVES | K-3752 |
| 5 | 21268 | SPRING | 19572 | 1 | | |
| 6 | 20490 | PIN | 19459 | 1 | | |
| 7 | 12845 | ELBOW | | 3 | 1/8" | K-3752 |
| 8 | X-8C-411 | CAPSCREW | | 4 | 1/4"-20X1-3/4" | |
| 9 | 55528 | HOSE ASSY | | 2 | 36" | K-3752 |
| 10 | 55509 | HOSE ASSY | | 1 | 34" | K-3752 |
| 11 | A-4740 | FILTER/REGULATOR | 19600 | 1 | | K-3752 |
| 12 | X-12-208 | PIPE PLUG | | 2 | 1/8" NPT | |
| 13 | X-8L-604 | CAPSCREW | | 1 | 3/8"-16X1-1/4" | |
| 14 | 21427 | HOSE CLAMP | | 1 | | K-3752 |
| 15 | 21425 | STRAP | | 1 | | K-3752 |
| 16 | 21426 | BRACKET | | 1 | | K-3752 |
| 17 | 21428 | HOSE CLAMP | | 1 | | K-3752 |
| 18 | X-8L-604 | CAPSCREW | | 1 | 3/8"-16X1-1/4" | |
| 20 | 55527 | HOSE ASSY | | 1 | 15" | K-3752 |
| 21 | 15114 | -O- RING | | 2 | | A-5000,K-1935,K-3341,K-3752 |



11520-5-00

HEAT EXCHANGER

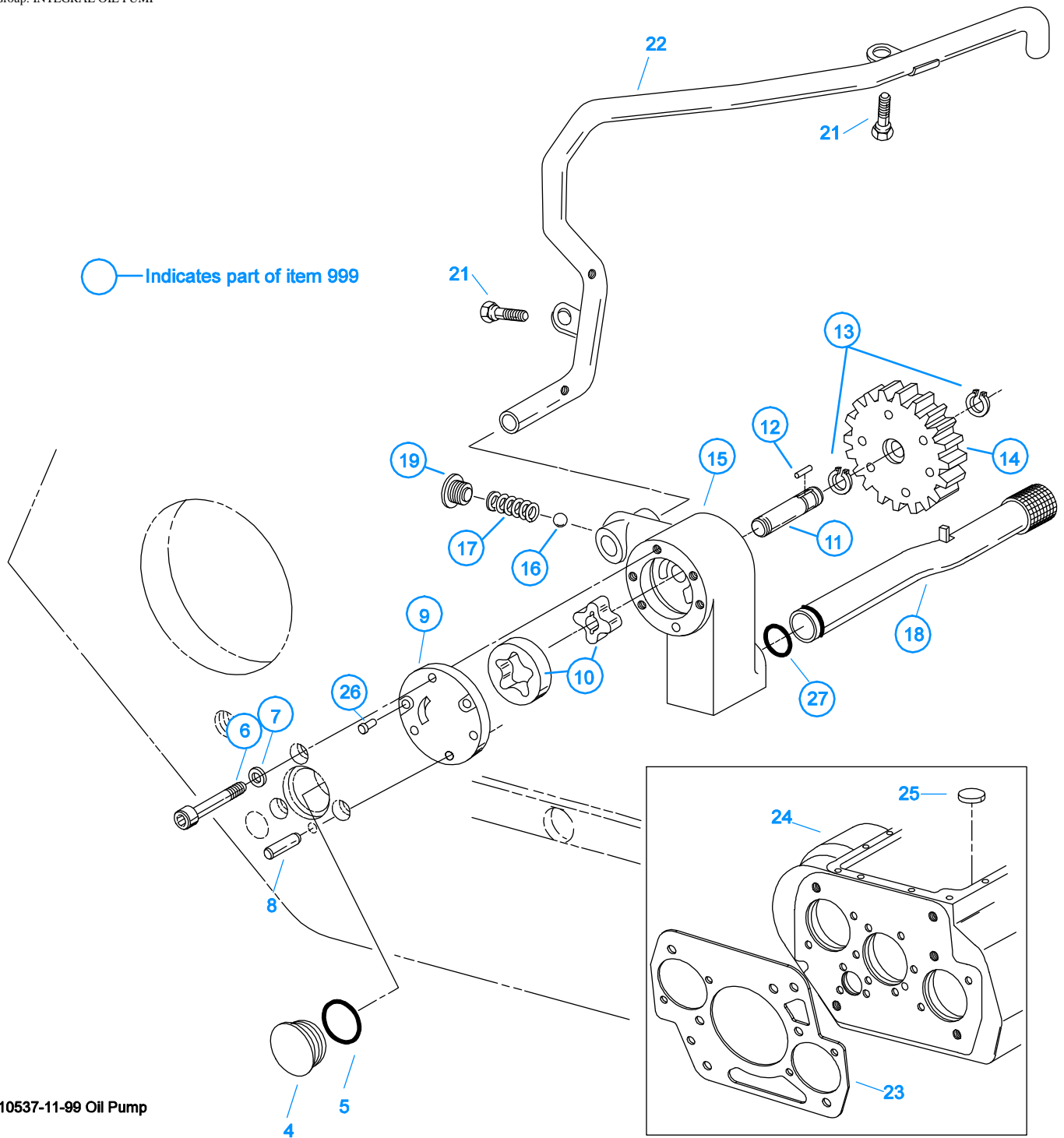
| Item | Current Part | Description | Replaced Part | Qty. | Notes | Kits/Assys Where Needed |
|------|--------------|--------------------|-----------------|------|--|-------------------------|
| 1 | K-3963 | HEAT EXCHANGER KIT | 5586600,K-3620 | 1 | MUST USE WHEN REPLACING 5586600 HEAT EXCHANGER WITH 5/8" PORTS, 5/8" TO 3/4" ADAPTERS ARE INCLUDED IN THIS KIT | |
| 2 | K-3952 | HEAT EXCHANGER KIT | 5586612,5586625 | 1 | 3/4" PORTS | |
| 3 | 5588101 | OIL HOSE ASSEMBLY | 5586901 | 1 | 14.5" | |
| 4 | 5588102 | OIL HOSE ASSEMBLY | 5586902 | 1 | 26.5" | |
| 5 | 21425 | STRAP | | 2 | | K-3752 |



10370A-12-06

INPUT SHAFT & DRIVE GEAR

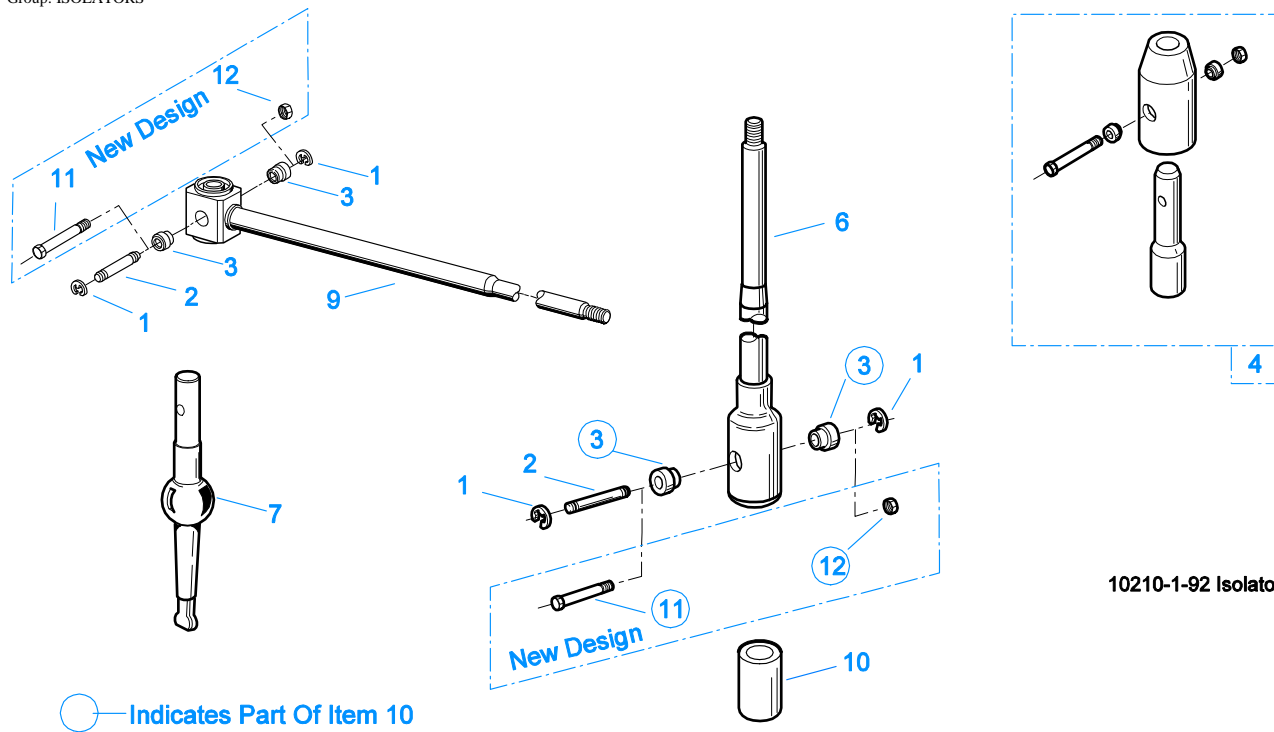
| Item | Current Part | Description | Replaced Part | Qty. | Notes | Kits/Assys Where Needed |
|------|--------------|-------------------------|---------------|------|----------------------|---|
| 1 | 23559 | SHIPPING SEAL | | 1 | NOT SOLD FOR SERVICE | |
| 2 | 16980 | SNAP RING | | 1 | | K-3327,K-3461,K-3462,K-3752,K-3768 |
| 3 | 4301417 | BEARING | 81504 | 1 | | K-3461,K-3462,K-3752,K-3768 |
| 4 | 16463 | SPACER | | 1 | | |
| 5 | 14750 | SNAP RING | | 1 | | K-3327,K-3461,K-3462,K-3752,K-3768,S-3076 |
| 6 | 4304793 | MAIN DRIVE GEAR | | 1 | | K-3752 |
| 8 | S-2890 | INPUT SHAFT ASSY | 4304841 | 1 | 2" PULL | K-3461,K-3752,K-3768 |
| 9 | 16566 | BUSHING | | 1 | | K-3462,S-2890 |
| 10 | K-3768 | CLUTCH INSTALLATION KIT | | 1 | | |



INTEGRAL OIL PUMP

| Item | Current Part | Description | Replaced Part | Qty. | Notes | Kits/Assys Where Needed |
|------|--------------|--------------|---------------------------------------|------|----------------|-------------------------|
| 4 | 20823 | PLUG | | 1 | | |
| 5 | 14765 | -O- RING | | 1 | | K-3341 |
| 6 | X-8-448 | SCREW | X 8 445 | 3 | 1/4"-20X1-1/4" | |
| 7 | 20824 | WASHER | | 3 | | K-3367,K-3752 |
| 8 | 20825 | DOWEL PIN | | 1 | | |
| 9 | 4303773 | RETAINER | | 1 | | |
| 10 | K-3367 | OIL PUMP KIT | 4301829 ,4301948 .4303776 ,4304529 | 1 | | |

| Item | Current Part | Description | Replaced Part | Qty. | Notes | Kits/Assys Where Needed |
|------|--------------|-----------------------|---|------|---------------------------------|---|
| 11 | K-3367 | OIL PUMP KIT | ,4304572 A - 6963 ,A - 7173 4301829 ,4301948 ,4303776 ,4304529 ,4304572 A - 6963 ,A - 7173 | 1 | | |
| 12 | 20509 | KEY | | 1 | | |
| 13 | 14853 | SNAP RING | | 2 | | |
| 14 | 4303774 | PUMP DRIVE GEAR | 4304880 | 1 | | |
| 15 | K-3367 | OIL PUMP KIT | 4301829 ,4301948 ,4303776 ,4304529 ,4304572 A - 6963 ,A - 7173 | 1 | | |
| 16 | X-14-700 | STEEL BALL | | 1 | 7/16" | |
| 17 | 4303775 | SPRING | | 1 | | |
| 18 | 4305713 | SUCTION TUBE | 4304628 | 1 | O-RING INCLUDED ON SUCTION TUBE | K-3367 |
| 19 | 4304629 | PLUG | | 1 | | |
| 21 | X-8-686 | CAPSCREW | | 2 | 3/8"-16X3/4" | |
| 22 | 4305715 | SPLITTER LUBE TUBE | A - 7197 | 1 | | |
| 23 | 4306584 | CLUTCH HOUSING GASKET | 4304815,4305668 | 1 | | K-3458,K-3671,K-3672,K-3673,K-3676,K-3677 |
| 24 | S-3001 | CASE ASSEMBLY | 4305390 ,4305810 ,S - 2891 | 1 | | |
| 25 | 14373 | MAGNET | | 3 | | K-3752,S-3001 |
| 26 | X-8-447 | SCREW | | 2 | | |
| 27 | 20225 | -O- RING | | 1 | | K-3752 |
| 999 | K-3367 | OIL PUMP KIT | 4301829 ,4301948 ,4303776 ,4304529 ,4304572 A - 6963 ,A - 7173 | 1 | | |



10210-1-92 Isolator

ISOLATORS

| Item | Current Part | Description | Replaced Part | Qty. | Notes | Kits/Assys Where Needed |
|------|--------------|----------------------|---------------|------|-----------------|---|
| 1 | 19124 | -E- RING | | 2 | | |
| 2 | K-3467 | PIN REPLACEMENT KIT | 21245 | 1 | | |
| 3 | 21246 | BUSHING | | 2 | | K-2003,K-2428,K-2429,K-2978,K-3399,S-2129,S-2130,S-2519 |
| 4 | S-1794 | ISOLATOR ASSY | | 1 | | |
| 6 | 21247 | LEVER | | 1 | STRAIGHT 18.67" | |
| 7 | 21235 | STUB LEVER | | 1 | LOW TOWER | K-2428,S-1677 |
| 7 | 21236 | STUB LEVER | | 1 | HIGH TOWER | K-2429,S-1579,S-2130 |
| 7 | 4301168 | STUB LEVER | | 1 | MID TOWER | K-2978 |
| 9 | 21767 | 90 DEG LEVER | | 1 | STRAIGHT 33" | |
| 10 | K-3399 | ISOLATOR BUSHING KIT | 21244 ,23311 | 1 | | |
| 11 | X-8-560 | SCREW | | 1 | | |
| 12 | X-9-503 | NUT | | 1 | | |

KITS & ASSEMBLIES

| Item | Current Part | Description | Replaced Part | Qty. | Notes | Kits/Assys Where Needed |
|--------|--------------|------------------------------|--|------|---|-----------------------------|
| K-1476 | | SHIFT LEVER HSG | 4530 ,17163 ,18298 ,4304905 ,A - 4437 | 1 | LOW TOWER | |
| K-1698 | | -O- RING/ELEMENT KIT | | 1 | FOR FILTER REGULATOR | |
| K-1935 | | REPAIR KIT-SLAVE VALVE | | 1 | FOR A-5000 VALVE | |
| K-1969 | | SLEEVE KIT | 14362 19460 ,21446 | 1 | FOR SLAVE VALVES | K-3752 |
| K-2003 | | PIN & BUSHING KIT | | 1 | | |
| K-2262 | | OIL SEAL W/SLINGER | 19109 ,20807 ,20808 | 1 | "FOR MECHANICAL COVER" | |
| K-2394 | | AIR SYSTEMS TOOL KIT | | 1 | | |
| K-2428 | | LEVER REPLACEMENT KIT | | 1 | LOW TOWER | |
| K-2429 | | LEVER REPLACEMENT KIT | | 1 | HIGH TOWER | |
| K-2805 | | SHIM KIT | 21452 K - 2106 | 1 | | K-3461,K-3462,K-3752,S-2889 |
| K-2918 | | OIL SEAL KIT | 4302322 4302323 | 1 | "FOR MAGNETIC COVER" | K-3461,K-3462,K-3752 |
| K-2947 | | COUNTERSHAFT REPL KIT | 4302652 | 1 | | |
| K-2973 | | SHIFT LEVER HSG KIT | 17166 ,17167 ,4303050 ,4304910 ,K - 1630 K - 1941 | 1 | HIGH TOWER | |
| K-2977 | | SHIFT LEVER HSG KIT | 4301167 ,4304907 ,A - 6040 | 1 | MID TOWER | |
| K-2978 | | LEVER REPLACEMENT KIT | | 1 | MID TOWER | |
| K-3104 | | ACTUATOR PIN KIT | 4303287 | 1 | | K-3752 |
| K-3191 | | MASTER VALVE REPAIR KIT | | 1 | FOR A-6918 VALVE | |
| K-3327 | | SMALL PARTS KIT | | 1 | | |
| K-3331 | | SPLITTER VLV REPL KIT | 4300927 ,4304031 ,4304032 ,A - 6862 | 1 | | |
| K-3341 | | O-RING KIT | | 1 | | K-3461,K-3462,K-3752 |
| K-3367 | | OIL PUMP KIT | 4301829 ,4301948 ,4303776 ,4304529 ,4304572 A - 6963 ,A - 7173 | 1 | | |
| K-3376 | | O-RING & WASHER KIT | 4301211 | 1 | | |
| K-3399 | | ISOLATOR BUSHING KIT | 21244 ,23311 | 1 | | |
| K-3441 | | OIL FILTER/ADAPTER KIT | A - 7174 | 1 | | |
| K-3454 | | SPEED SENSOR KIT | A - 6398 ,A - 6724 | 1 | SINGLE PICK-UP (2 PIN) | |
| K-3455 | | SPEED SENSOR KIT, DUAL | A - 7046 ,A - 7518 | 1 | DUAL PICK-UP (4 PIN) | |
| K-3458 | | GASKET KIT | | 1 | | K-3461,K-3462,K-3752 |
| K-3461 | | BASIC OVERHAUL KIT | | 1 | | |
| K-3462 | | BASIC REBUILD KIT | | 1 | | |
| K-3467 | | PIN REPLACEMENT KIT | 21245 | 1 | | |
| K-3492 | | SYNCHRONIZER KIT | K - 2446 | 1 | | |
| K-3497 | | SYNCHRONIZER REPLACEMENT KIT | K - 3200 | 1 | SLIDING CLUTCH INCLUDED IN KIT | |
| K-3651 | | OIL SEAL TOOL KIT | | 1 | | |
| K-3671 | | FORCED LUBE CL HSG KIT | A - 7148 | 1 | #1 PULL IRON | |
| K-3672 | | FORCED LUBE CL HSG KIT | A - 7149 ,A - 7150 | 1 | #1 PULL IRON - NODAL MOUNT - UPPER/LOWER | |
| K-3673 | | FORCED LUBE CL HSG KIT | A - 7146 | 1 | #1 PULL ALUMINUM - NODAL MOUNT | |
| K-3676 | | FORCED LUBE CL HSG KIT | A - 7145 | 1 | #1 PULL ALUMINUM | |
| K-3677 | | FORCED LUBE CL HSG KIT | A-7592 | 1 | #1 PULL IRON - NODAL MOUNT - UPPER | |
| K-3752 | | MASTER REBUILDER KIT | | 1 | USE TO REBUILD RTLO-22918B W/NON-SELECTIVE WASHERS AND FORCED LUBE ONLY | |
| K-3768 | | CLUTCH INSTALLATION KIT | | 1 | | |
| S-1219 | | YOKE ASSY LOW-REV | | 1 | | |
| S-1516 | | CAP ASSY | 20851 ,20853 | 1 | | |
| S-1794 | | ISOLATOR ASSY | | 1 | | |

| Item | Current Part | Description | Replaced Part | Qty. | Notes | Kits/Assys Where Needed |
|--------|--------------|------------------------------|------------------------------------|------|---------------------------------------|-------------------------|
| S-2129 | | SHIFT LEVER HSG ASSY | | 1 | LOW TOWER | |
| S-2130 | | SHIFT LEVER HSG ASSY | S - 2053 | 1 | HIGH TOWER | |
| S-2269 | | SHIFT BAR HSG | 4302679 | 1 | HOUSING ONLY (XF) | |
| S-2270 | | SHIFT BAR HSG | 4302675 | 1 | HOUSING ONLY (X) | |
| S-2501 | | SPEEDO ROTOR ASSY | 4302242 | 1 | MAGNETIC | |
| S-2502 | | REAR BRG COVER ASSY | 4303604 ,4305827 | 1 | MECHANICAL - 4:00 OPENING | |
| S-2503 | | SPEEDO SPACER ASSY | 4302590 | 1 | | |
| S-2519 | | SHIFT LEVER HSG ASSY | S - 2919 | 1 | MID TOWER | |
| S-2588 | | ROADRANGER VALVE ASSY | | 1 | | |
| S-2809 | | REAR BEARING COVER ASSY | 4302332 ,4303872 ,4304652 ,4305830 | 1 | PUSH-IN/THREAD-IN MAGNETIC PICK-UP | |
| S-2859 | | REAR BRG COVER ASSY | 4302732 ,4305826 | 1 | MECHANICAL - 6:00 OPENING | |
| S-2889 | | RANGE SECTION ASSY | | 1 | | |
| S-2890 | | INPUT SHAFT ASSY | 4304841 | 1 | 2" PULL | K-3461,K-3752,K-3768 |
| S-2910 | | SHIFT BAR HSG ASSY | 4302675 | 1 | COMPLETE (RTLO) | |
| S-2911 | | SHIFT BAR HSG ASSY | 4302679 | 1 | COMPLETE (RTLOF) | |
| S-3001 | | CASE ASSEMBLY | 4305390 ,4305810 ,S - 2891 | 1 | | |
| S-3076 | | COMPLETE MAINSHAFT ASSEMBLY | | 1 | COMPLETE MAINSHAFT ASSEMBLY | |
| S-3097 | | COUNTERSHAFT ASSEMBLY, RIGHT | | 1 | COMPLETE COUNTERSHAFT ASSEMBLY, RIGHT | |
| S-3098 | | COUNTERSHAFT ASSEMBLY, LEFT | | 1 | COMPLETE COUNTERSHAFT ASSEMBLY, LEFT | |
| S-3108 | | MAINSHAFT ASSY | 4302658 ,4303403 ,S - 2268,S-2560 | 1 | | |



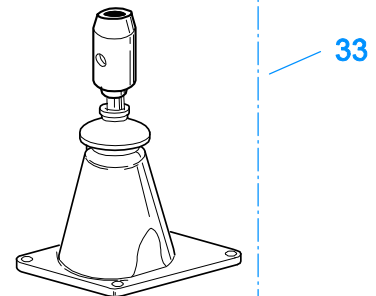
10207-9-95



K-2428 - Low
K-2978 - Mid
K-2429 - High



S-1677 - Low
S-1967 - Mid
S-1579 - High

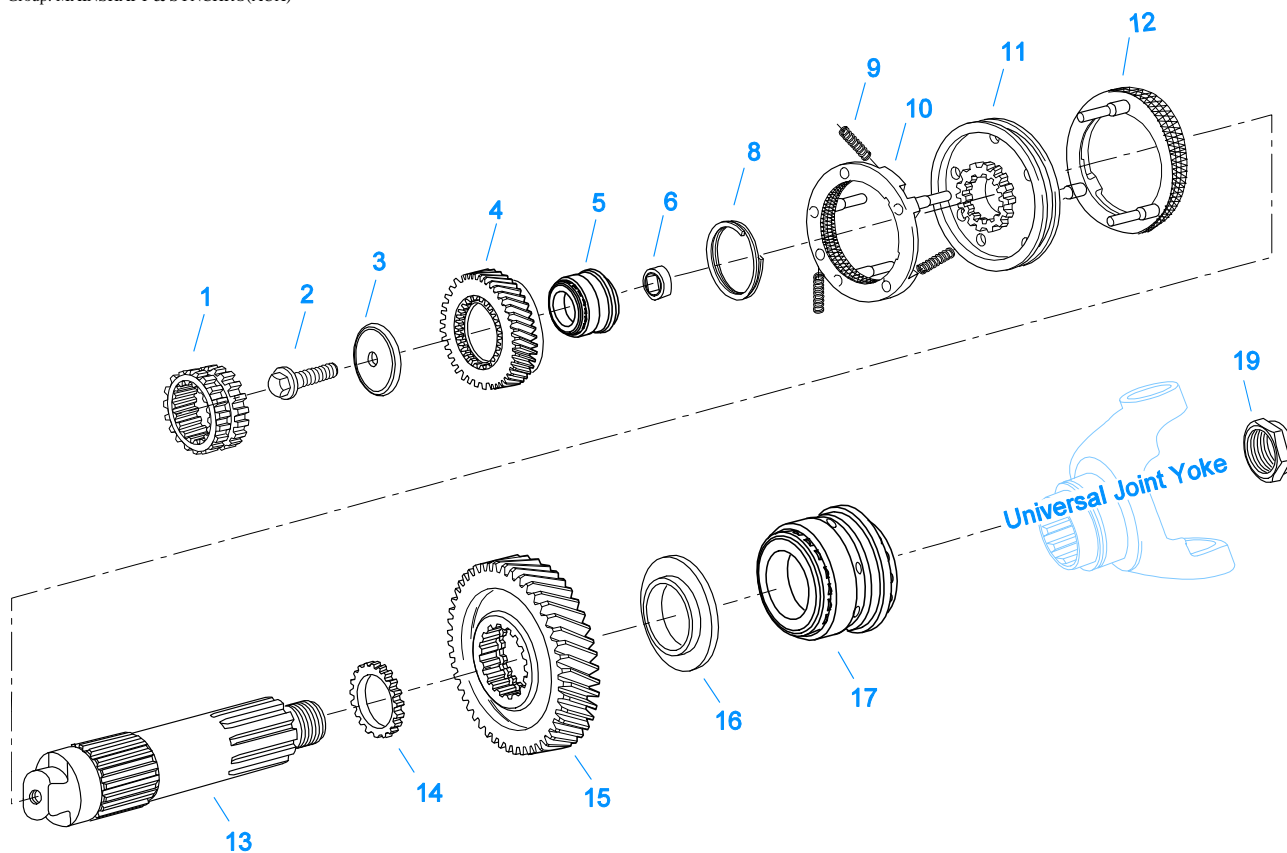


S-2129 - Low
S-2519 - Mid
S-2130 - High

LEVERS/HOUSINGS

| Item | Current Part | Description | Replaced Part | Qty. | Notes | Kits/Assys Where Needed |
|------|--------------|---------------------|--|------|-------------------|--------------------------------|
| 1 | K-3376 | O-RING & WASHER KIT | 4301211 | 1 | | |
| 2 | 18299 | PIN | | 1 | | K-1476,K-2977,S-1677 |
| 3 | X-8C-604 | CAPSCREW | | 4 | 3/8"-16X1-1/4" | S-2269,S-2270,S-2910,S-2911 |
| 4 | X-1-600 | NUT | | 4 | 3/8"-24-N.F.PLAIN | |
| 5 | X-3-600 | LOCKWASHER | | 4 | 3/8" | |
| 6 | 11934 | STUD | 7467 | 4 | | |
| 7 | K-1476 | SHIFT LEVER HSG | 4530 ,17163 ,18298 ,4304905 ,A - 4437 | 1 | LOW TOWER | |
| 8 | 4305294 | GASKET | 4303431 | 1 | | K-1476,K-2428,K-2429,K-2973,K- |

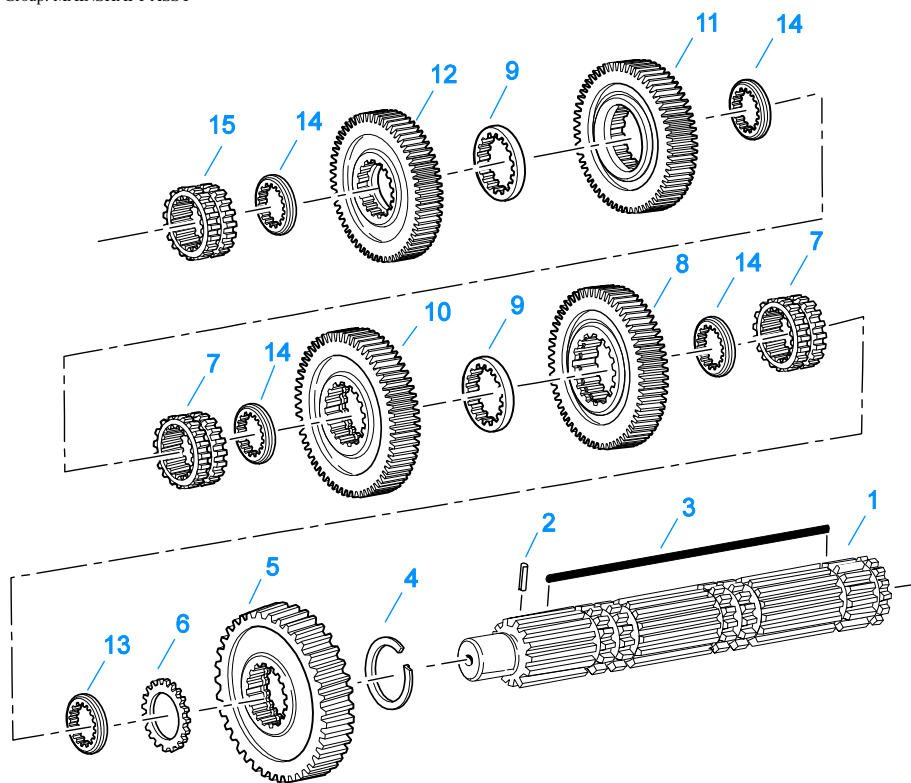
| Item | Current Part | Description | Replaced Part | Qty. | Notes | Kits/Assys Where Needed |
|------|--------------|-----------------------|---|------|--------------------------|--|
| | | | | | | 2977,K-2978,K-3458,S-1579,S-1677,S-1967,S-2129,S-2130,S-2519,S-2910,S-2911 |
| 9 | K-2977 | SHIFT LEVER HSG KIT | 4301167 ,4304907 ,A - 6040 | 1 | MID TOWER | |
| 13 | 4303030 | PIN | | 1 | | K-2973,S-1579,S-2130 |
| 13 | 6541 | PIN | | 1 | 3/8" - USED W/17167 ONLY | |
| 14 | K-2973 | SHIFT LEVER HSG KIT | 17166 ,17167 ,4303050 ,4304910 ,K - 1630 K - 1941 | 1 | HIGH TOWER | |
| 15 | 10427 | BOOT | | 1 | | K-1476,K-2973,K-2977,S-1579,S-1677,S-2130 |
| 16 | X-1-600 | NUT | | 1 | 3/8"-24-N.F.PLAIN | |
| 17 | X-3-600 | LOCKWASHER | | 1 | 3/8" | |
| 20 | 17600 | GEAR SHIFT LEVER | | 1 | STRAIGHT - LOW 21-1/2" | |
| 20 | 18482 | GEAR SHIFT LEVER | | 1 | STRAIGHT - HIGH 35" | |
| 21 | 2538 | RETAINER | | 1 | | K-1476,K-2973,K-2977,S-1579,S-1677,S-2130 |
| 22 | 2536 | SPRING | | 1 | | K-1476,K-2973,K-2977,S-1579,S-1677,S-2130 |
| 23 | K-2428 | LEVER REPLACEMENT KIT | | 1 | LOW TOWER | |
| 23 | K-2429 | LEVER REPLACEMENT KIT | | 1 | HIGH TOWER | |
| 23 | K-2978 | LEVER REPLACEMENT KIT | | 1 | MID TOWER | |
| 24 | S-1579 | SHIFT TOWER ASSY | | 1 | HIGH TOWER | |
| 24 | S-1677 | SHIFT TOWER ASSY | | 1 | LOW TOWER | |
| 24 | S-1967 | SHIFT TOWER ASSY | | 1 | MID TOWER | |
| 33 | S-2129 | SHIFT LEVER HSG ASSY | | 1 | LOW TOWER | |
| 33 | S-2130 | SHIFT LEVER HSG ASSY | S - 2053 | 1 | HIGH TOWER | |
| 33 | S-2519 | SHIFT LEVER HSG ASSY | S - 2919 | 1 | MID TOWER | |



10438A-08-01

MAINSHAFT & SYNCHRO(AUX)

| Item | Current Part | Description | Replaced Part | Qty. | Notes | Kits/Assys Where Needed |
|------|--------------|----------------------------|--------------------------|------|----------------|---|
| 1 | 4300907 | SLIDING CLUTCH | | 1 | | |
| 2 | X-7-1007 | SCREW | | 1 | 5/8"-18X1-3/4" | |
| 3 | 4301843 | RETAINER | | 1 | | |
| 4 | 4304788 | SPLITTER GEAR | | 1 | | |
| 5 | 4300902-BOX | TAPERED ROLLER BRG | 4300902 | 1 | | K-3461,K-3462,K-3752 |
| 6 | 4301844 | BEARING SLEEVE | | 1 | | K-3752 |
| 8 | 4303424 | SNAP RING | | 1 | | K-3461,K-3462,K-3752 |
| 9 | 14897 | SPRING | | 3 | | K-3327,K-3461,K-3462,K-3492,K-3497,K-3752 |
| 10 | A-7331 | SYNCHRONIZER ASSY | 4304396 4304397 A - 5917 | 1 | HI RANGE | K-3492,K-3497,K-3752 |
| 11 | 4301840 | SLIDING CLUTCH | 4303386 | 1 | | K-3497,K-3752 |
| 12 | A-7254 | SYNCHRONIZER ASSEMBLY | A - 4937 A - 5876 | 1 | LO RANGE | K-3492,K-3497,K-3752 |
| 13 | 4303705 | MAINSHAFT | | 1 | | |
| 14 | 4301842 | WASHER | | 1 | | K-3752 |
| 15 | 4301795 | REDUCTION GEAR | 4301794 | 1 | | |
| 16 | 4300912 | SPACER | | 1 | | K-3752 |
| 17 | 5556503-BOX | BEARING | 5556503 | 1 | | K-3461,K-3462,K-3752 |
| 19 | K-4122 | HEX FLANGE CRIMPED NUT KIT | 4302321,4306520 | 1 | | K-3327,K-3752 |



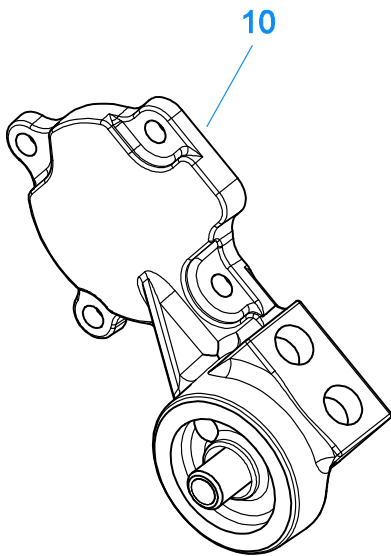
10337B-10-96

MAINSHAFT ASSY

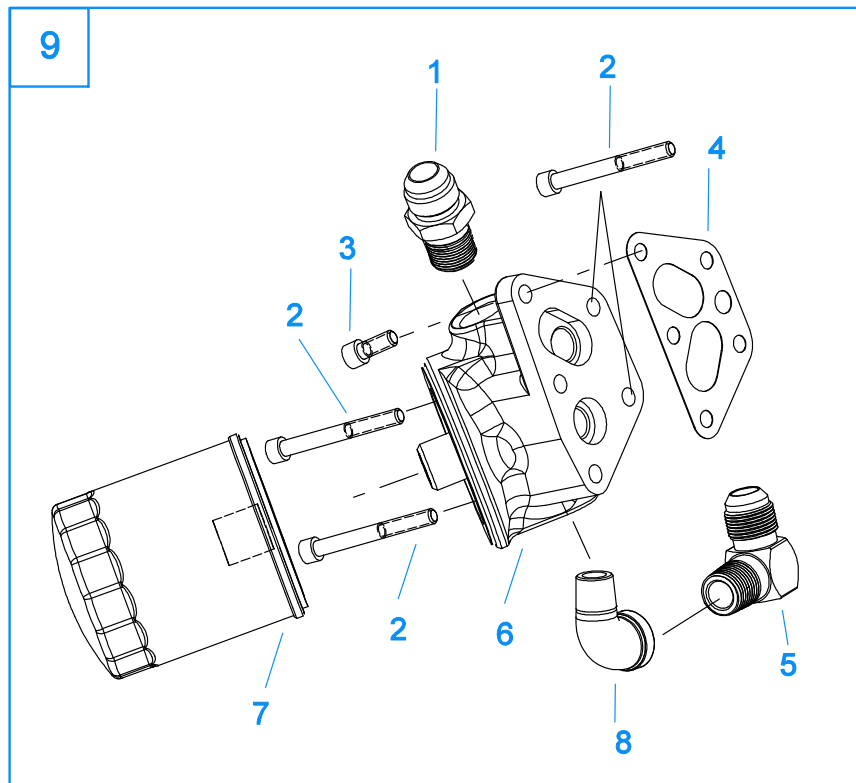
| Item | Current Part | Description | Replaced Part | Qty. | Notes | Kits/Assys Where Needed |
|------|--------------|-----------------------------|-----------------------------------|------|-----------------------------|---|
| 0 | S-3076 | COMPLETE MAINSHAFT ASSEMBLY | | 1 | COMPLETE MAINSHAFT ASSEMBLY | |
| 1 | S-3108 | MAINSHAFT ASSY | 4302658 ,4303403 ,S - 2268,S-2560 | 1 | | |
| 2 | 62504 | ROLL PIN | | 1 | | S-3076,S-3108 |
| 3 | 4304615 | 3-SIDED KEY | 4300120 | 1 | | K-3752 |
| 4 | 14750 | SNAP RING | | 1 | | K-3327,K-3461,K-3462,K-3752,K-3768,S-3076 |
| 5 | 16756 | REVERSE GEAR-MAINSHAFT | 22408 | 1 | | S-3076 |
| 6 | 4302047 | SPACER | | 1 | | K-3327,K-3752,S-3076 |
| 7 | 16118 | SLIDING CLUTCH | | 2 | | S-3076 |
| 8 | 4303409 | LO GEAR-MAINSHAFT | 4303407 | 1 | | S-3076 |
| 9 | 4303603 | WASHER | 4302397 | 2 | | K-3327,K-3752,S-3076 |
| 10 | 4304803 | 1ST GEAR-MAINSHAFT | | 1 | | S-3076 |
| 11 | 4304516 | 2ND GEAR-MAINSHAFT | 4303699 | 1 | | S-3076 |
| 12 | 4304791 | OD GEAR-MAINSHAFT | | 1 | | K-3752,S-3076 |
| 13 | 4300382 | WASHER .249-WHITE | | 1 | | K-3327,K-3752,S-3076 |
| 14 | 4302398 | WASHER | | 4 | | K-3327,K-3752,S-3076 |
| 15 | 4304317 | SLIDING CLUTCH | 22026 | 1 | | K-3461,K-3752,S-3076 |

MISCELLANEOUS

| Item | Current Part | Description | Replaced Part | Qty. | Notes | Kits/Assys Where Needed |
|-------|--------------|---------------------|---------------|------|----------------------------------|---|
| 21628 | | SHIFT DIAGRAM LABEL | 4300591 | 1 | | |
| 71203 | | SILICONE LUBE | | 1 | 8 OZ (236.59 CC)-FLEET SIZE | |
| 71204 | | ADHESIVE SEALANT | | 1 | 0.5 CC (SINGLE APPLICATION SIZE) | |
| 71205 | | SEALANT | | 1 | 2 CC (SINGLE APPLICATION SIZE) | K-3461,K-3752 |
| 71206 | | SILICONE LUBE | | 1 | 4 CC (SINGLE APPLICATION SIZE) | K-2428,K-2429,K-2978,K-3331,K-3341,K-3752 |

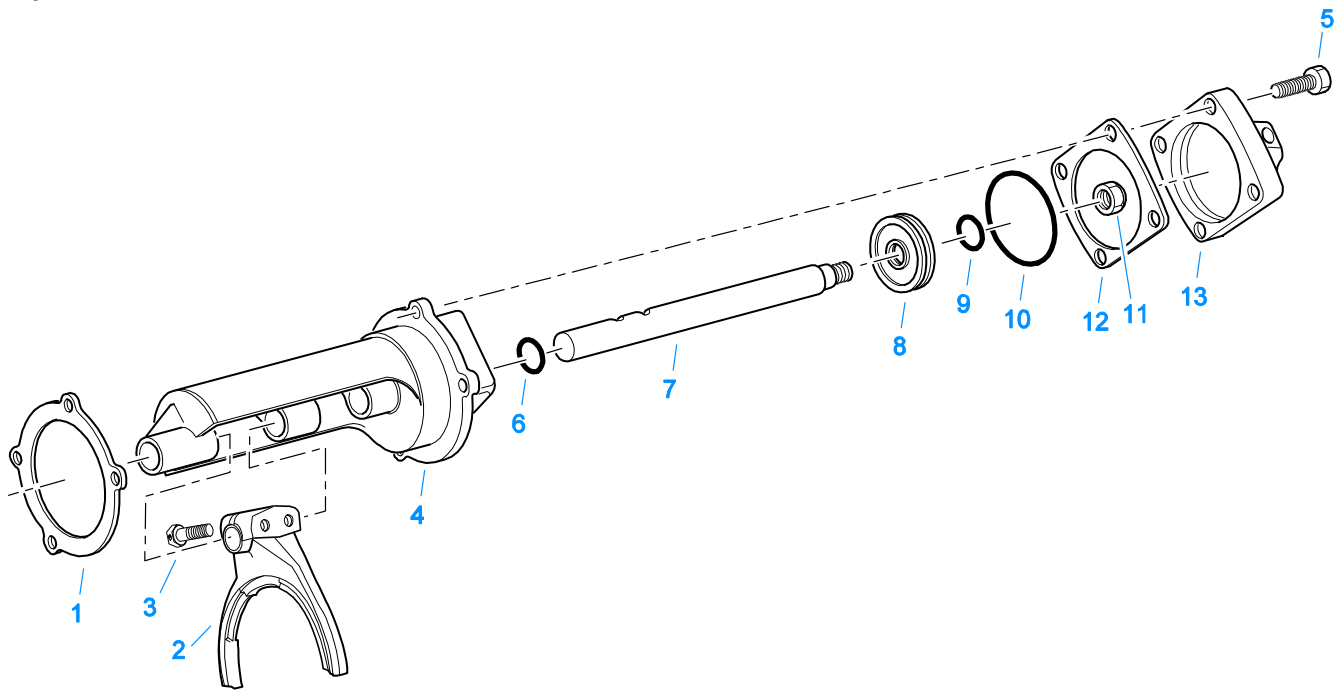


10539-3-00



OIL FILTER

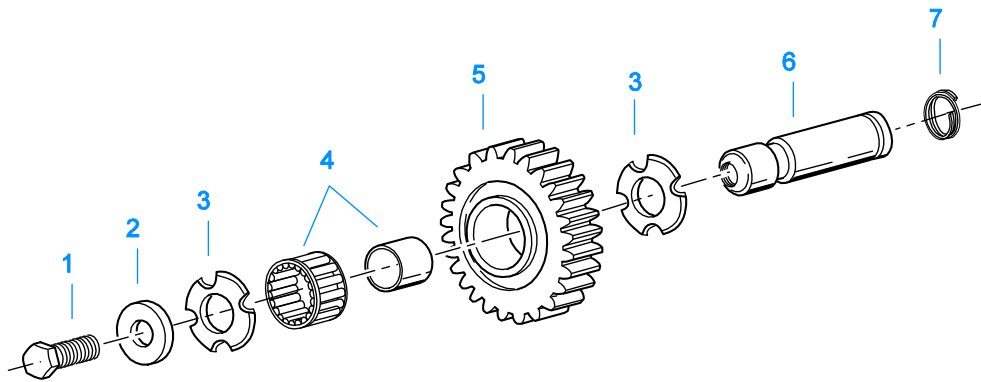
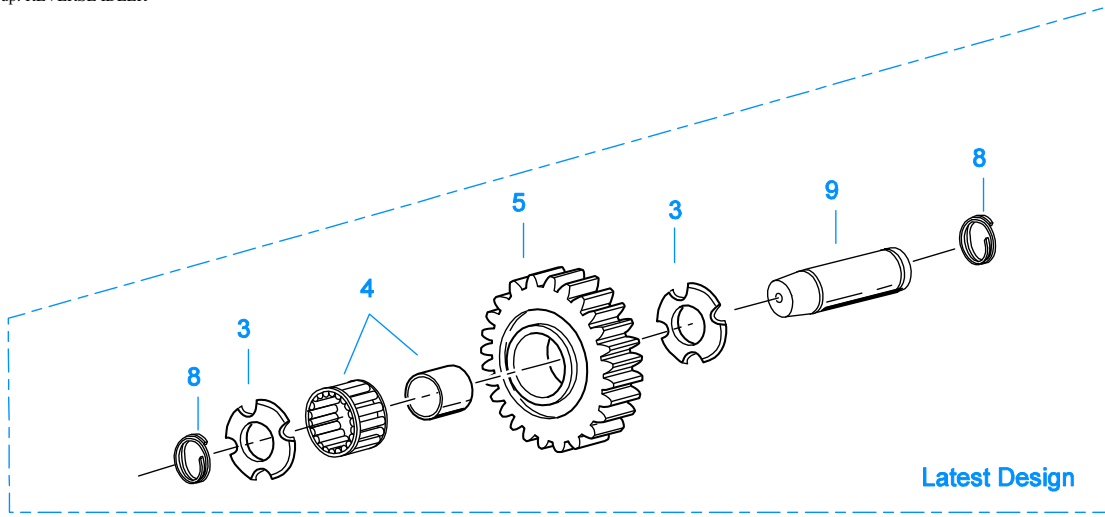
| Item | Current Part | Description | Replaced Part | Qty. | Notes | Kits/Assys Where Needed |
|------|--------------|-----------------------------|---------------|------|-------|-------------------------|
| 1 | 19419 | CONNECTOR | | 1 | | K-3441 |
| 2 | X-8-453 | SCREW | | 4 | | K-3441 |
| 3 | X-8-452 | SCREW | | 1 | | K-3441 |
| 4 | 4304820 | GASKET | | 1 | | K-3441,K-3458 |
| 5 | 4301123 | ELBOW | | 1 | | K-3441 |
| 6 | K-3441 | OIL FILTER/ADAPTER KIT | A - 7174 | 1 | | |
| 7 | 4304827 | OIL FILTER ELEMENT | | 1 | | K-3441 |
| 8 | 17007 | ELBOW | | 1 | | K-3441 |
| 9 | K-3441 | OIL FILTER/ADAPTER KIT | | 1 | | |
| 10 | A-7300 | AUX COUNTERSHAFT COVER ASSY | | 1 | | |



11462-5-98

RANGE CYLINDER

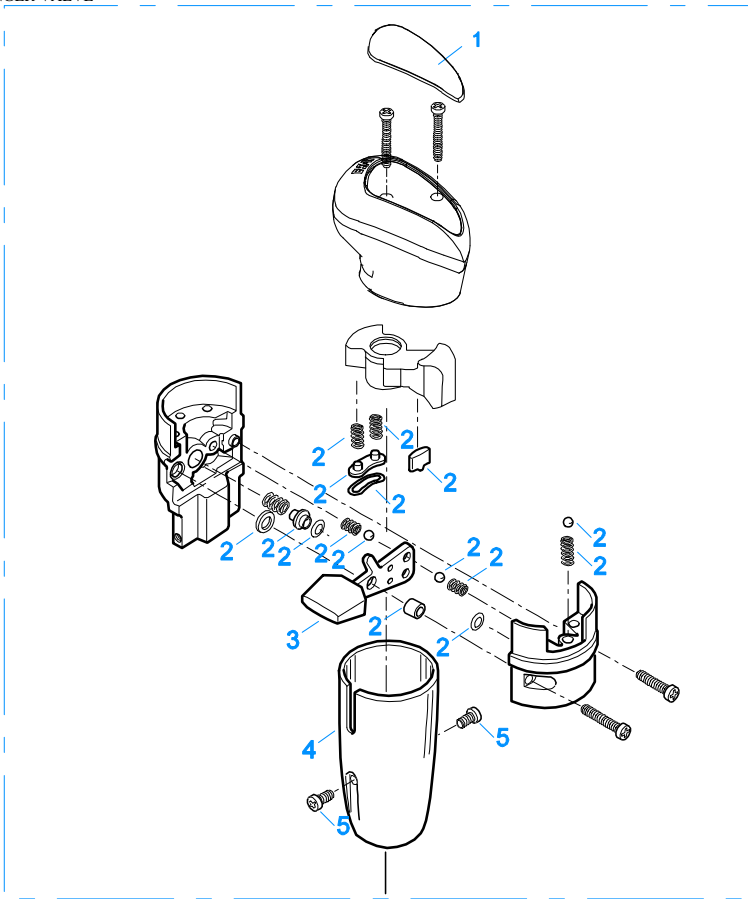
| Item | Current Part | Description | Replaced Part | Qty. | Notes | Kits/Assys Where Needed |
|------|--------------|---------------------|------------------|------|--------------------------------|-------------------------|
| 1 | 14347 | GASKET | | 1 | | K-3341,K-3458 |
| 2 | 22823 | SHIFT YOKE | 16775 | 1 | | |
| 3 | X-7-809 | BOLT | X 7 810 ,X 7 811 | 2 | 1/2"-20X1-3/4" | |
| 4 | A-6690 | RANGE CYLINDER ASSY | 4303595 | 1 | | |
| 5 | X-8L-607 | CAPSCREW | X 8 607 | 4 | 3/8"-16X2-1/4", 3/8"-16X2-1/4" | |
| 6 | 14765 | -O- RING | | 1 | | K-3341 |
| 7 | 4303596 | YOKE BAR | | 1 | | |
| 8 | 14341 | PISTON | 23353 | 1 | | |
| 9 | 14345 | -O- RING | | 1 | | K-3341 |
| 10 | 14344 | -O- RING | | 1 | | K-3341 |
| 11 | X-1-1010 | NUT | | 1 | 5/8"-18 | |
| 12 | 22826 | GASKET | | 1 | | K-3341,K-3458 |
| 13 | 4303926 | COVER | | 1 | | |



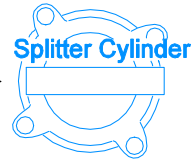
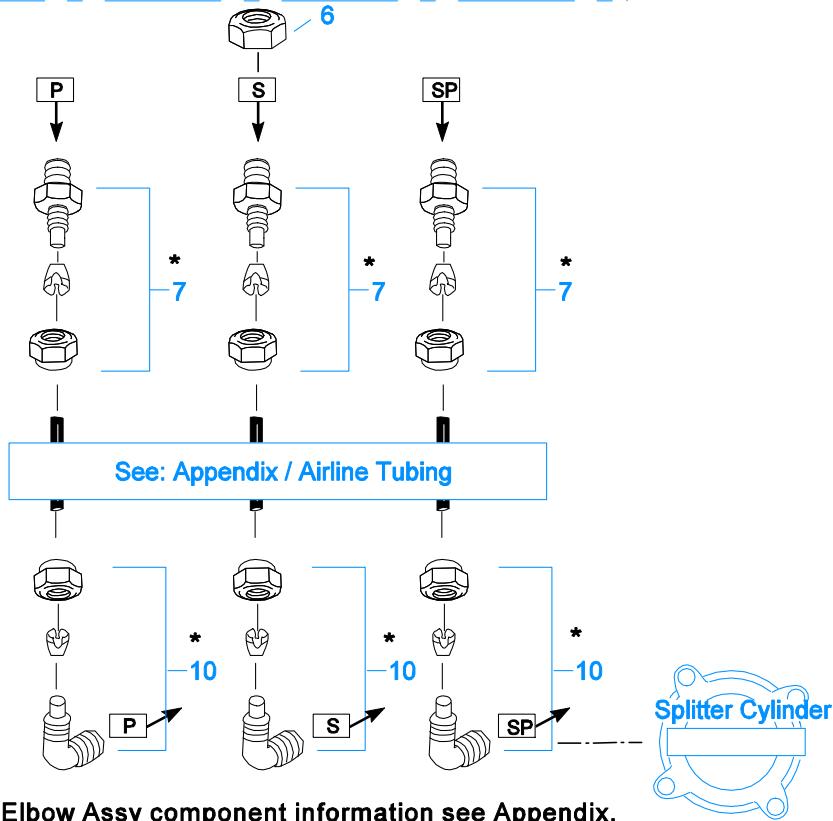
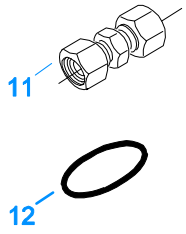
11382-3-97 RI

REVERSE IDLER

| Item | Current Part | Description | Replaced Part | Qty. | Notes | Kits/Assys Where Needed |
|------|--------------|----------------------|----------------------------|------|---------------|-------------------------|
| 1 | X-7-1008 | CAPSCREW | | 2 | 5/8"-18X1-1/4 | |
| 2 | 14283 | WASHER | | 2 | | |
| 3 | 4302982 | WASHER | 14282 | 4 | | K-3209 |
| 4 | 14287 | BEARING | 4305020 | 2 | | K-3461,K-3462,K-3752 |
| 5 | 16757 | REVERSE IDLER GEAR | 22409 | 2 | | |
| 6 | K-3209 | IDLER SHAFT REPL KIT | 16405 ,4302981 ,4305513 | 2 | | |
| 7 | 4303336 | RETAINING RING | | 2 | | K-3209,K-3752 |
| 8 | 4303336 | RETAINING RING | | 4 | | K-3209,K-3752 |
| 9 | 4305513 | IDLER SHAFT | | 2 | | K-3209 |



999

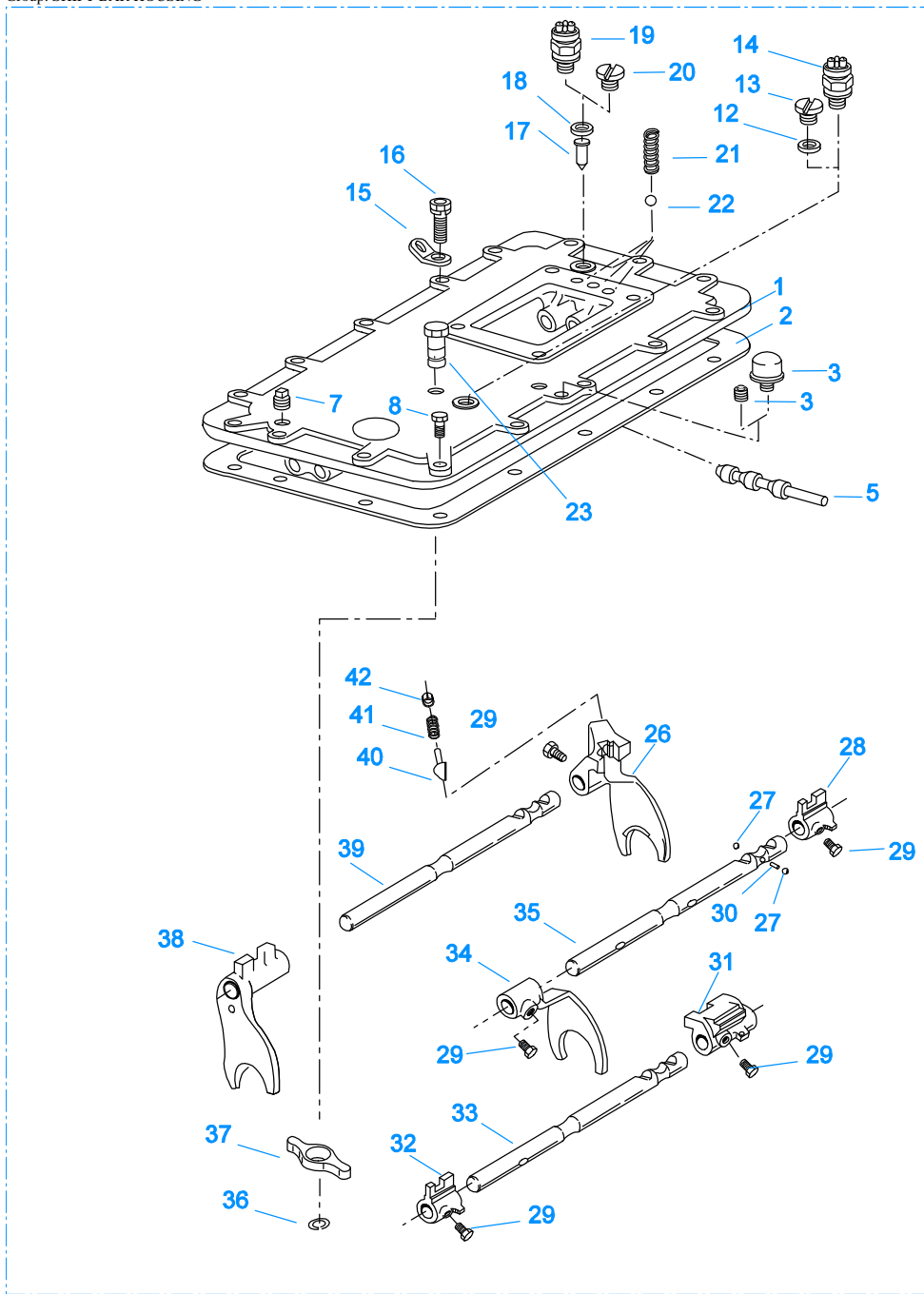


10103C-5-00

*For Connector and Elbow Assy component information see Appendix.

ROADRANGER VALVE

| Item | Current Part | Description | Replaced Part | Qty. | Notes | Kits/Assys Where Needed |
|------|--------------|-------------------------|---------------|------|---|-------------------------|
| 1 | 5586100 | MEDALLION, LOGO | | 1 | (LATEST DESIGN) FULLER LOGO ONLY | A-6918 |
| 1 | 5586114 | SHIFT DIAGRAM MEDALLION | | 1 | RTLO-W/SHIFT PATTERN | S-2588 |
| 2 | K-3191 | MASTER VALVE REPAIR KIT | | 1 | FOR A-6918 VALVE | |
| 3 | 20495 | LEVER | | 1 | | A-6918 |
| 4 | 20112 | COVER | | 1 | | A-6918 |
| 5 | X-8-213 | SCREW | X 8 202 | 1 | 8-32X3/8" | |
| 6 | X-9-802 | NUT | | 1 | 1/2"-13 | |
| 7 | 84001 | CONNECTOR ASSY | 82501 | 3 | 1/8" TUBE-1/16" NPTF | |
| 7 | 84003 | CONNECTOR ASSY | 82503 | 3 | 5/32" TUBE-1/16" NPTF | |
| 7 | 84005 | CONNECTOR ASSY | | 3 | "PUSH-TO-CONNECT" 5/32" TUBE-1/16" NPTF | S-2588 |
| 10 | 85001 | ELBOW ASSY | 84501 | 3 | 5/32" TUBE-1/8" NPTF | |
| 10 | 85002 | ELBOW ASSY | 84502 | 3 | 1/8" TUBE-1/8" NPTF | |
| 10 | 85003 | ELBOW ASSY | | 3 | "PUSH-TO-CONNECT" 5/32" TUBE-1/8" NPTF | K-3331,K-3461,K-3752 |
| 11 | 84101 | UNION ASSY | | 1 | 1/8" TUBING | |
| 11 | 84102 | UNION ASSY | | 1 | 5/32" TUBING | |
| 11 | 84103 | UNION ASSY | | 1 | "PUSH-TO-CONNECT" 5/32" TUBING | |
| 12 | 13571 | -O- RING CLAMP | | 2 | | |
| 999 | A-6918 | ROADRANGER VALVE ASSY | A - 5013 | 1 | STANDARD-W/LOGO | |
| 999 | S-2588 | ROADRANGER VALVE ASSY | | 1 | RTLO-W/SHIFT PATTERN | |



10245-1-01 X-Bar

SHIFT BAR HOUSING

| Item | Current Part | Description | Replaced Part | Qty. | Notes | Kits/Assys Where Needed |
|------|--------------|-----------------|---------------|------|------------------|------------------------------------|
| 1 | S-2270 | SHIFT BAR HSG | 4302675 | 1 | HOUSING ONLY (X) | |
| 2 | 4302676 | GASKET | 14918 | 1 | | K-3458,S-2269,S-2270,S-2910,S-2911 |
| 3 | 4304602 | BREATHER | 23605 | 1 | 1/4" NPT | K-3752 |
| 3 | X-12-404 | PIPE PLUG | | 1 | 1/4" NPT | |
| 5 | 20332 | AIR VALVE SHAFT | 17177 | 1 | | S-2910,S-2911 |
| 7 | X-12-603 | PIPE PLUG | X12 602 | 1 | 3/8" NPT | |
| 8 | X-8L-609 | CAPSCREW | | 1 | 3/8"-16X1-3/4" | |
| 12 | 17179 | GASKET | | 1 | | S-2269,S-2270,S-2910,S-2911 |
| 13 | 4303655 | PLUG | 17178 | 1 | | S-2269,S-2270,S- |

| Item | Current Part | Description | Replaced Part | Qty. | Notes | Kits/Assys Where Needed |
|------|--------------|----------------------|---------------|------|---|------------------------------------|
| 14 | 22941 | NEUTRAL LIGHT SWITCH | 12639 | 1 | SWITCH NORMALLY CLOSED | 2910,S-2911 |
| 15 | 20815 | LIFTING EYE | 17105 | 2 | | S-2889 |
| 16 | X-8C-6109 | CAPSCREW | | 2 | 3/8"-16X1-1/4" USE TO ATTACHED COOLER TO SHIFT BAR HOUSING | |
| 16 | X-8L-602 | CAPSCREW | | 2 | 3/8"-16X1-1/2" | |
| 16 | X-8L-604 | CAPSCREW | | 13 | 3/8"-16X1-1/4" OR USE 11 PCS OF X-8L-604 WITH 2 PCS OF X-8L-602 | |
| 17 | 15899 | PIN | | 1 | | S-2269,S-2270,S-2910,S-2911 |
| 18 | 15900 | GASKET | | 1 | | S-2269,S-2270,S-2910,S-2911 |
| 19 | 22940 | REVERSE LIGHT SWITCH | 16830 | 1 | SWITCH NORMALLY OPEN | |
| 20 | 4303656 | PLUG | 15917 | 1 | | S-2269,S-2270,S-2910,S-2911 |
| 21 | 15918 | SPRING | | 3 | | K-3327,K-3461,K-3752,S-2910,S-2911 |
| 22 | X-14-800 | STEEL BALL | | 3 | 1/2" | |
| 23 | K-3104 | ACTUATOR PIN KIT | 4303287 | 1 | | K-3752 |
| 26 | 16131 | SHIFT YOKE | | 1 | REVERSE/LO | S-1219,S-2910 |
| 27 | X-14-1200 | STEEL BALL | | 2 | 3/4" | |
| 28 | 14658 | SHIFT BLOCK | | 1 | 1ST/2ND | S-2910 |
| 29 | 3220 | LOCKSCREW | | 5 | | S-2910,S-2911 |
| 30 | 1634 | INTERLOCK PIN | | 1 | | K-3327,S-2910,S-2911 |
| 31 | 19063 | SHIFT BLOCK | | 1 | 3RD/OD | S-2910 |
| 32 | 20120 | SHIFT BLOCK | 18924 | 1 | 3RD/OD | S-2910,S-2911 |
| 33 | 18928 | YOKE BAR | 4302760 | 1 | 3RD/OD | S-2910 |
| 34 | 18922 | SHIFT YOKE | | 1 | 1ST/2ND | S-2910,S-2911 |
| 35 | 18927 | YOKE BAR | | 1 | 1ST/2ND | S-2910 |
| 36 | 4302070 | SNAP RING | | 1 | | K-3104,S-2910,S-2911 |
| 37 | 4303225 | ACTUATOR | | 1 | | S-2910,S-2911 |
| 38 | 4305575 | SHIFT YOKE | 20450 | 1 | 3RD/OD | K-3752,S-2910,S-2911 |
| 39 | 18926 | YOKE BAR | | 1 | REVERSE/LO | S-2910 |
| 40 | 10019 | PLUNGER | | 1 | | S-1219,S-2910,S-2911 |
| 41 | 6392 | SPRING | | 1 | | K-3327,S-1219,S-2910,S-2911 |
| 42 | 8968 | PLUG | | 1 | | S-1219,S-2910,S-2911 |
| 999 | S-2910 | SHIFT BAR HSG ASSY | 4302675 | 1 | COMPLETE (RTLO) | |

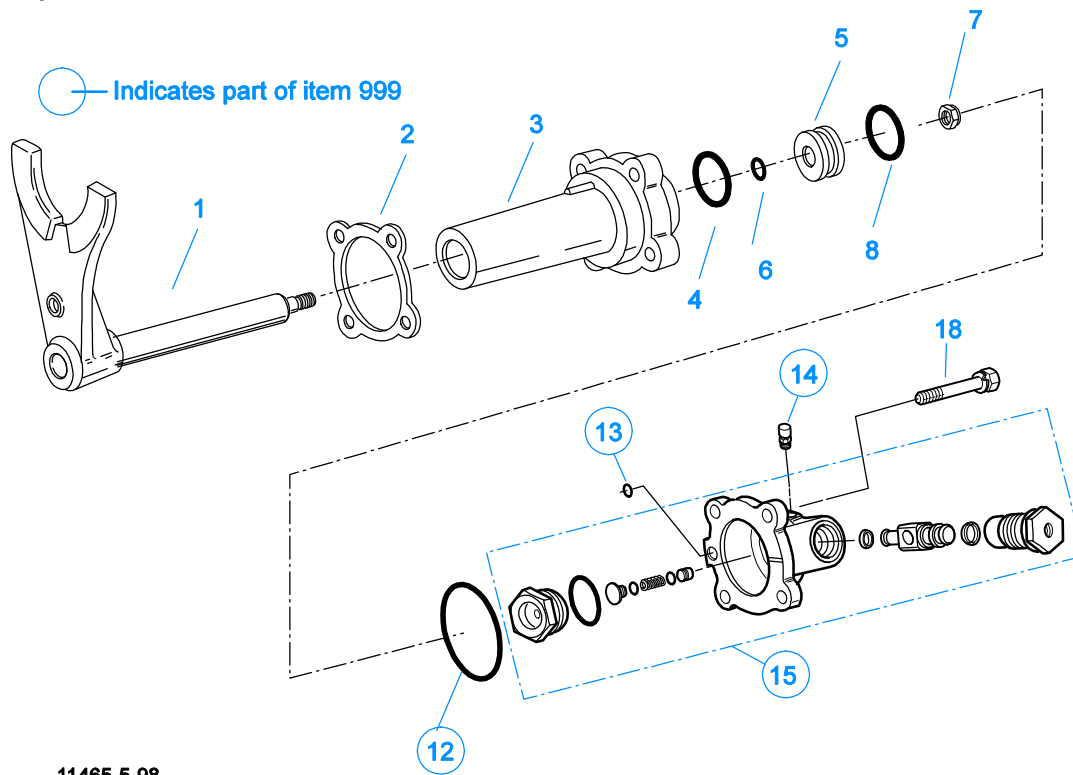


2 Repair Kit

10120-10-97 A-5000 SV

SLAVE VALVE - A-5000

| Item | Current Part | Description | Replaced Part | Qty. | Notes | Kits/Assys Where Needed |
|------|--------------|------------------------|---------------|------|------------------|-------------------------|
| 1 | A-5000 | SLAVE VALVE ASSY | 20850 | 1 | | K-3752 |
| 2 | K-1935 | REPAIR KIT-SLAVE VALVE | | 1 | FOR A-5000 VALVE | |
| 3 | 20855 | PLUG | | 1 | | A-5000 |
| 4 | 20854 | PISTON | | 1 | | A-5000 |
| 5 | 20849 | CAP | 15131 | 1 | | A-5000 |
| 7 | S-1516 | CAP ASSY | 20851 ,20853 | 1 | | |
| 8 | X-8C-413 | CAPSCREW | | 3 | 1/4"-20X1-1/2" | |



11465-5-98

SPLITTER CYLINDER

| Item | Current Part | Description | Replaced Part | Qty. | Notes | Kits/Assys Where Needed |
|------|--------------|-----------------------|--|------|-----------------|-------------------------|
| 1 | A-7012 | SPLITTER YOKE ASSY | A - 6304 ,A - 6892 | 1 | | |
| 2 | 4303583 | GASKET | | 1 | | K-3341,K-3458 |
| 3 | 4303582 | SPLITTER CYLINDER | | 1 | | |
| 4 | 21208 | -O- RING | | 1 | | K-3341 |
| 5 | 4301964 | PISTON | | 1 | | |
| 6 | 13653 | -O- RING | | 1 | | K-3331,K-3341,K-3752 |
| 7 | X-1-805 | NUT | | 1 | | |
| 8 | 21209 | -O- RING | | 1 | | K-3341 |
| 12 | 5568534 | -O- RING | | 1 | | K-3331,K-3341,K-3752 |
| 13 | 13653 | -O- RING | | 1 | | K-3331,K-3341,K-3752 |
| 14 | X2014210 | BREATHER | 7935 | 1 | | |
| 15 | K-3331 | SPLITTER VLV REPL KIT | 4300927 ,4304031 ,4304032 ,A - 6862 | 1 | | |
| 18 | X-8L-540 | CAPSCREW | | 4 | 5/16"-18X1-7/8" | |
| 999 | K-3331 | SPLITTER VLV REPL KIT | 4300927 ,4304031 ,4304032 ,A - 6862 | 1 | | |

