



**Roadranger®**

More time on the road®

# Illustrated Parts List

---

**RTO-11709MLL**  
**July 2011**

## Contents

How To Use The Illustrated Parts List .....	3
AUXILIARY DRIVE GEAR.....	4
CASE (AUX) .....	5
CASE (FRONT) .....	6
COMBINATION CYLINDER .....	8
COUNTERSHAFT & BRGS(AUX).....	9
COUNTERSHAFT ASSY .....	10
FILTER REGULATOR.....	11
H & C W/A-5000 VALVE.....	12
INPUT SHAFT & DRIVE GEAR .....	13
INTEGRAL OIL PUMP .....	14
ISOLATORS .....	16
KITS & ASSEMBLIES .....	17
LEVERS/HOUSINGS .....	19
MAINSHAFT & SYNCHRO(AUX).....	21
MAINSHAFT ASSY .....	22
MISCELLANEOUS .....	24
OIL COOLER.....	25
REVERSE IDLER.....	26
ROADRANGER VALVE .....	29
SHIFT BAR HOUSING .....	30
SLAVE VALVE - A-5000.....	32

## How To Use The Illustrated Parts List

The information contained in this document is subject to frequent updates. Therefore, for the latest information available, please visit the interactive Electronic Parts Catalog at [www.roadranger.com/epc](http://www.roadranger.com/epc).

### Model Designation or Nomenclature

- For information regarding Model Designation and Nomenclature, visit [www.roadranger.com](http://www.roadranger.com).

### Kits and Assemblies (K/A's)

- Kits and Assemblies contain groups of individual or assembled parts developed for optimal replacement or repair of a service problem.
- Kits and Assemblies are shown with applicable parts groupings in the parts listings.

### Identifying Kits and Assemblies

A- Part numbers beginning with the letter 'A' are pre-assembled Production Assemblies

K- Part numbers beginning with the letter 'K' are kits that are not assembled

S- Part numbers beginning with the letter 'S' are pre-assembled Service Assemblies

- Note: Some Production Assemblies do not begin with a letter prefix (Midrange only).

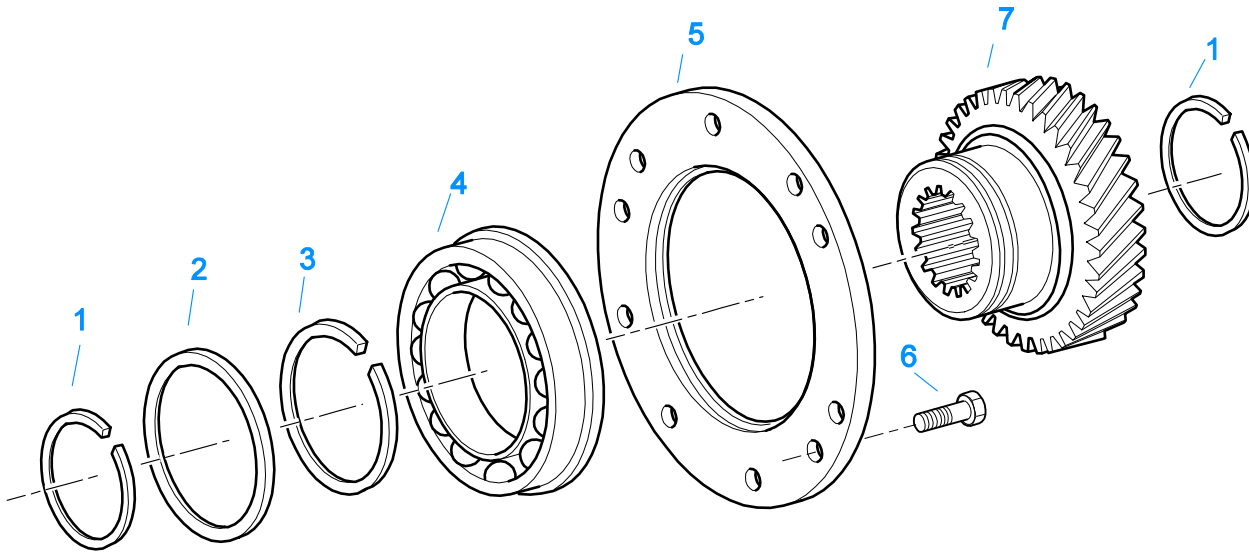
### Illustrations

- Illustrations show parts in assembly groups.
- Item numbers on illustrations correspond with parts listings on pages adjacent to the illustration.
- Notes are included on illustrations where additional information is needed.

### Parts Listing

Parts listings are defined by parts groupings and are broken down by service assemblies. Parts listings identify a part for servicing with the following categories

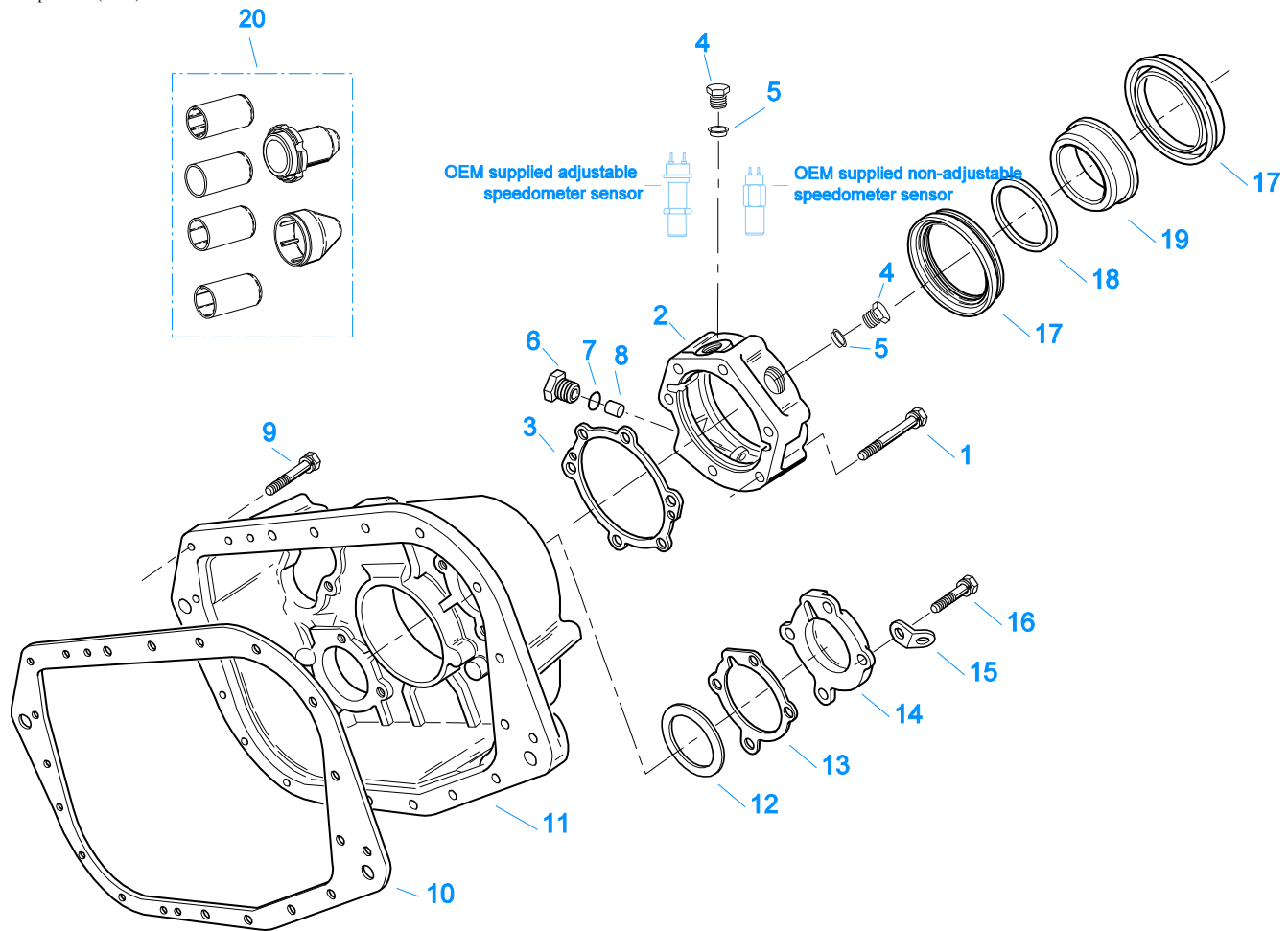
- **Item Number** - corresponding with numbers on illustrations for part identification.
- **Current Part** - identifies part as it is available for service.
- **Description** - specifies part name or description.
- **Replaced Part** - quantity quantity required for assembly.
- **Quantity** - defines unique characteristics or requirements.
- **Notes** - indicates Kits or Assemblies that contain a particular part.
- **Kits/Assy's Where Used**



10480-12/92 Aux DG

### AUXILIARY DRIVE GEAR

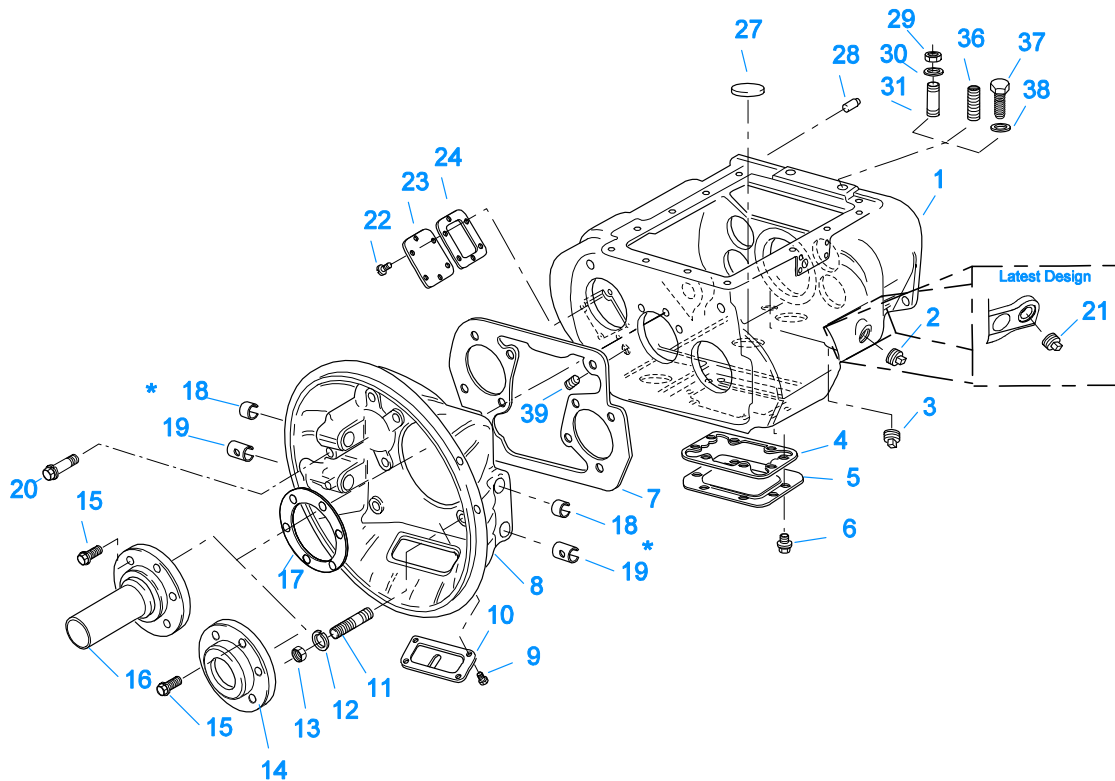
Item	Current Part	Description	Replaced Part	Qty.	Notes	Kits/Assys Where Needed
1	16763	SNAP RING		2		K-2847,K-2848,K-2852
2	21320	SNAP RING RETAINER		1		
3	16628	SNAP RING		1		K-2852
4	5566507-BOX	BEARING	5566504,5566507	1		K-2847,K-2848
5	16138	BEARING RETAINER		1		
6	X-8-645	CAPSCREW	X 8 612	6	3/8"-16X1"	
7	23159	AUXILIARY DRIVE GEAR	21321	1		



10407A-2-94 Aux Case

**CASE (AUX)**

Item	Current Part	Description	Replaced Part	Qty.	Notes	Kits/Assys Where Needed
1	X-8L-611	CAPSCREW		6	3/8"-16X3-1/4"	
2	S-2164	REAR BRG COVER ASSY	22733 ,4302026 ,S - 1553 ,S - 2367	1	MECHANICAL AND MAGNETIC	
3	21364	GASKET		1		K-2061,K-2077,K-2262,S-2164
4	20224	PLUG-MAGNETIC		2		S-2164
5	4301954	SENSOR SEAL		2		S-2164
6	20226	PLUG-MECHANICAL		1		S-2164
7	14142	-O- RING		1		S-2164
8	7992	BUSHING		1		S-2164
9	X-8L-602	CAPSCREW		17	3/8"-16X1-1/2"	
9	X-8L-614	CAPSCREW		2	3/8"-16X2"	
10	14335	GASKET		1		K-2061,K-2077
11	21431	REAR HOUSING		1		
12	K-2805	SHIM KIT	21452 K - 2106	1		K-2847,K-2848
13	4305978	GASKET	4302246	2		K-2061,K-2077
14	4302320	COVER	21346	2		
15	20815	LIFTING EYE		2		
16	X-8L-604	CAPSCREW		8	3/8"-16X1-1/4"	
17	K-2262	OIL SEAL W/SLINGER	19109 20807 20808	1	"FOR MECHANICAL COVER"	K-2847,K-2848
18	4301960	SEAL		1		A-6299
19	A-6299	SPACER-SLINGER ASSY	21359 ,4301959	1		
20	K-3651	OIL SEAL TOOL KIT		1		



**10300-6-92 Iron/Alum Hsg**

\* Bushing quantity requirements: #1 Housing – Upper bore use 4 #12815 / Lower bore use 2 #8677.

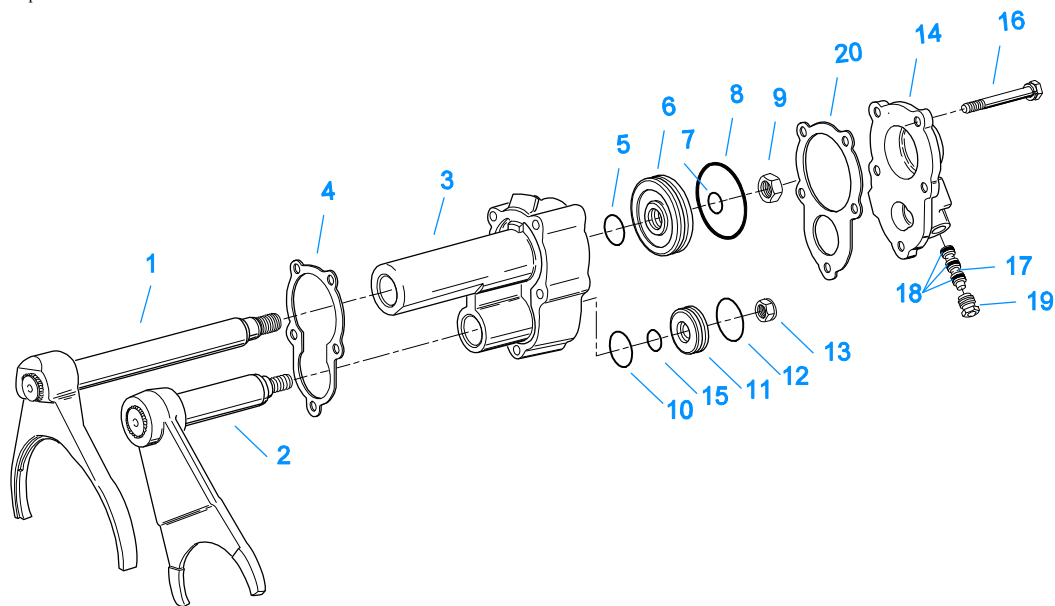
#2 Housing – Upper bore use 2 #12815 and 1 #8677 / Lower bore use 2 #8677.

**Note: Some part requirements are specific to #1 or #2 Aluminum or Iron Clutch Housings and Push or Pull type Clutch.**

**CASE (FRONT)**

Item	Current Part	Description	Replaced Part	Qty.	Notes	Kits/Assys Where Needed
1	S-2209	CASE ASSY	21318 ,4302518	1		
1	S-2210	CASE ASSY	4302440	1	FOR USE W/INTEGRAL PUMP	
2	X-12-2007	PIPE PLUG	X12 2006	1		
3	X-12-1207	PIPE PLUG	X12 1202 ,X12 1206	1	3/4" MAGNETIC	
4	4305310	GASKET	4302810	1		K-2061
5	4302809	PTO COVER	16596 ,4300571	1		
6	X-8-725	CAPSCREW	X 8 724	8	7/16"-14X7/8"	
7	4306584	CLUTCH HOUSING GASKET	4304815,4305668	1		K-2061
8	A-3713	CLUTCH HOUSING ASSY	A - 3700	1	#1 PUSH-PULL IRON	
8	A-3723	CLUTCH HOUSING ASSY	A - 3721 ,A - 3722	1	#2 PUSH-PULL IRON	
8	A-4772	CLUTCH HOUSING ASSY	A - 4344 ,A - 4771	1	#2 PUSH-PULL ALUM.	
8	A-5992	CLUTCH HOUSING ASSY	4301103	1	#1 PULL ALUM.(SPECIAL-LIGHTER WEIGHT)	
8	A-6064	CLUTCH HOUSING ASSY	A - 4342 ,A - 4770 ,A - 6062 ,A - 6063 ,A - 6065	1	#1 PUSH-PULL ALUM.	
9	239614	SCREW	X-8L-509	4	5/16-18X.81 QUANTITY DEPENDENT ON DESIGN	
10	14506	HAND HOLE COVER		1	#2 PUSH	
10	14507	HAND HOLE COVER		1	#2 PULL	
10	4305230	HAND HOLE COVER	11453	1	#1 PULL	
10	4305231	HAND HOLE COVER	1565	1	#1 PUSH	
11	4306583	STUD	5966	6		
12	X-10-1005	WASHER	X 3 1000 ,X10 1000 ,X10 1004	6	1.23 X 6.60	
13	X-1-1012	HEX NUT	X-1-1005	6	.625-18	
14	20550	FRONT BEARING COVER		1	2" PULL	K-2468,K-4125
15	X-8L-604	CAPSCREW		6	3/8"-16X1-1/4"	
16	20549	FRONT BEARING COVER		1	2" PUSH	
17	14311	GASKET		1		K-2061

Item	Current Part	Description	Replaced Part	Qty.	Notes	Kits/Assys Where Needed
18	12815	BUSHING		4	FOR #1 HOUSING UPPER	A-3713,A-3723,A-4772,A-5992,A-6064,K-2468
18	12815	BUSHING		2	FOR #2 HOUSING UPPER	A-3713,A-3723,A-4772,A-5992,A-6064,K-2468
18	8677	BUSHING		1	FOR #2 HOUSING UPPER	A-3713,A-3723,A-4772,A-6064
19	8677	BUSHING		2	FOR #1 AND #2 HOUSING LOWER	A-3713,A-3723,A-4772,A-6064
20	X-8C-830	HEX HEAD SCREW/WASHER ASSY	X-8C-826	4	.500-13 X 1.490, USE 2 PCS FOR IRON HOUSING, USE 4 PCS FOR ALUMINUM HOUSING	
20	X-8C-831	HEX HEAD SCREW/WASHER ASSY	X-8C-822	2	.500-13 X 3.460, FOR IRON HOUSING	
21	4304023	PLUG	4303747	1	1-1/16" MAGNETIC, O-RING INCLUDED	S-2209,S-2210
22	X-8-686	CAPSCREW		6	3/8"-16X3/4"	
23	14575	PTO COVER	4302254	1		
24	4305309	GASKET	1684	1		K-2061
27	14373	MAGNET		3		S-2209,S-2210
28	18128	PIN		2		
29	X-1-1012	HEX NUT		2	.625-18	
30	X-10-1005	WASHER	X 3 1000 ,X10 1000 ,X10 1004	2	1.23 X 6.60	
31	14554	STUD	1632 ,6579	2	5/8" X 2-3/16"	
36	23104	PLUG	1712	2		
37	X-8-1005	CAPSCREW		2	5/8"-11X1-1/4"	
38	20814	SPACER		2		
39	X-12-802	PIPE PLUG	X12 800	1	1/2"	

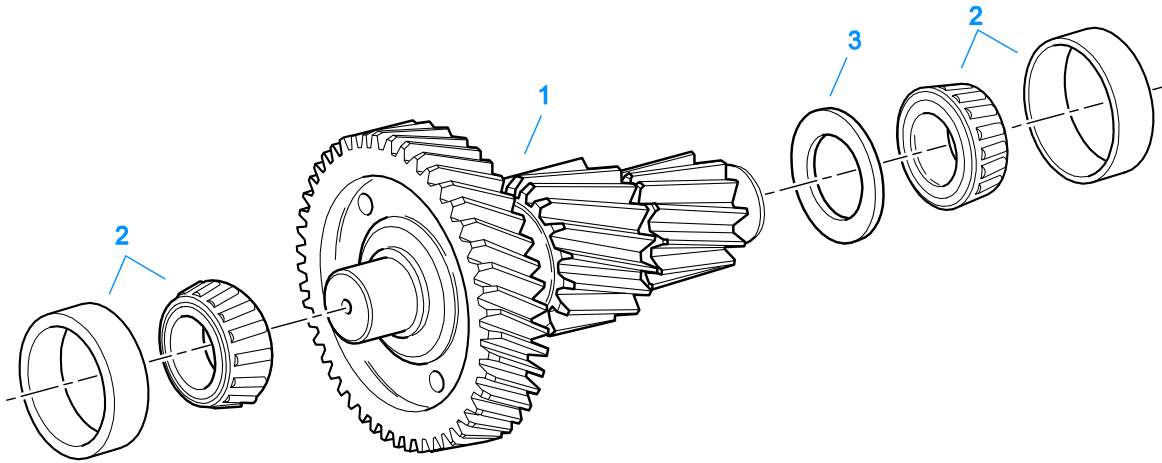


10475-4-92 CMB CYL

**COMBINATION CYLINDER**

Item	Current Part	Description	Replaced Part	Qty.	Notes	Kits/Assys Where Needed
1	A-5159	YOKE ASSY	21333	1	RANGE	
2	A-5160	YOKE ASSY	21335	1	REDUCTION	
3	21330	CYLINDER		1		K-2853
4	21332	GASKET		1		K-2061,K-2077,K-2846,K-2853
5	14765	-O- RING		1		K-2846,K-2853
6	14341	PISTON	23353	1		K-2853
7	14345	-O- RING		1		K-2846,K-2853
8	14344	-O- RING		1		K-2846,K-2853
9	X-1-1010	NUT		1	5/8"-18	
10	14644	-O- RING		1		K-2846,K-2853
11	K-2427	PISTON KIT	21337 ,4301320	1		
12	20423	-O- RING		1		K-2846,K-2853
13	X-1-803	NUT		1	1/2"-20	
14	21329	CYLINDER COVER		1		
15	4301348	-O- RING		1		K-2427,K-2846,K-2853
16	X-8L-631	CAPSCREW	X 8 631	5	3/8"-16X3-1/2"	
17	19974	INSERT VALVE	15512 4303616	1		
18	13653	-O- RING		3		
19	15719	PLUG		1		
20	21331	GASKET		1		K-2061,K-2077,K-2427,K-2846,K-2853

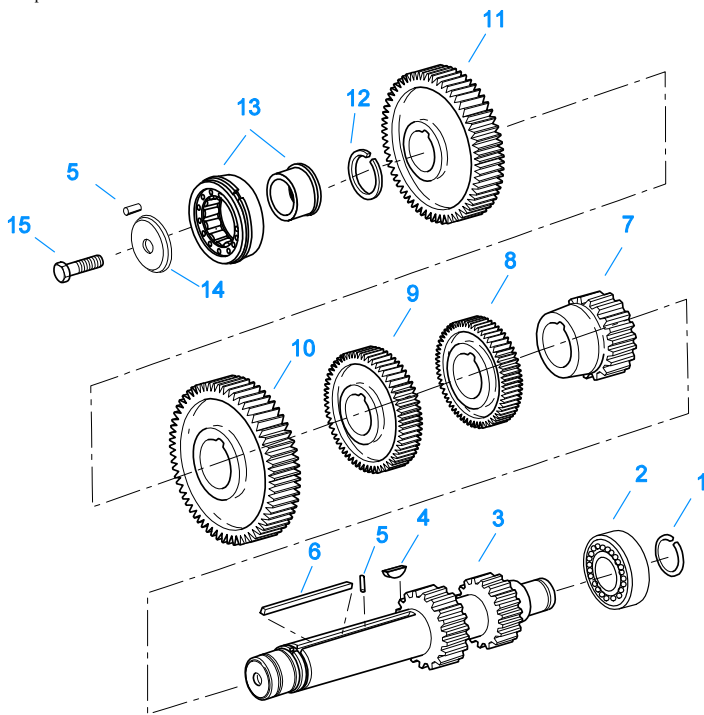




10445-12-93 AUXCS

### COUNTERSHAFT & BRGS(AUX)

Item	Current Part	Description	Replaced Part	Qty.	Notes	Kits/Assys Where Needed
1	A-6844	WELDED COUNTERSHAFT ASSY	A - 6431 ,A - 6842	2	D/G 4303938 - C/S 4303936	
2	4302074-BOX	BEARING	21343,4302074	4		K-2847,K-2848
3	21342	SPACER		2		



10341-1/92 CS/RT

## COUNTERSHAFT ASSY

Item	Current Part	Description	Replaced Part	Qty.	Notes	Kits/Assys Where Needed
1	14317	SNAP RING		2		K-2847,K-2848,K-2852
2	14366	BEARING		2		K-2847,K-2848
3	K-2945	CNTRSHFT W/REV & LO	4302450,K-2946	2		
4	X-6-E	KEY		2		
5	62511	ROLL PIN		4		
6	4304840	KEY	19673	2		
7	21025	1ST GEAR-CNTRSHFT	19629	2		
8	21264	2ND GEAR-CNTRSHFT	19623	2		
9	21262	OD GEAR-CNTRSHFT	19639 ,21027	2		
10	15953	PTO GEAR - LOWER		1		
10	20840	PTO GEAR - UPPER		1		
11	4305665	DRIVE GEAR-CNTRSHFT	21018,4305069	2		
12	19198	SNAP RING		2		
13	4304599	BEARING	4302677 4304598	2		K-2847,K-2848
14	4304605	RETAINER	19548	2	ROLL PIN NO LONGER REQUIRED	
15	X-7-1005	CAPSCREW		2	5/8"-18X1-3/4"	

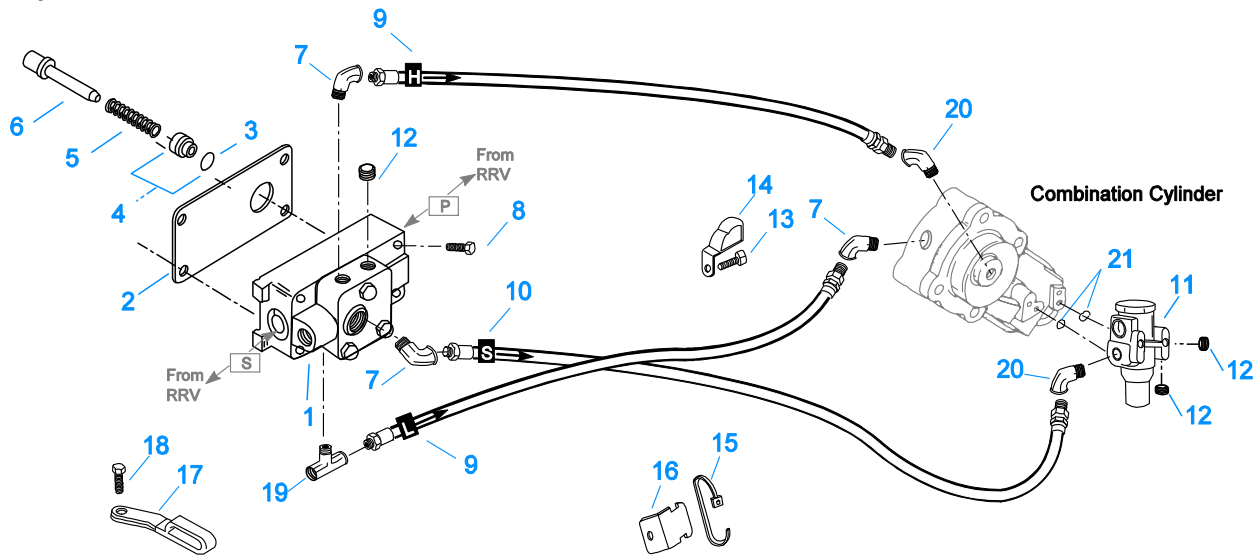
Group: FILTER REGULATOR



## FILTER REGULATOR

Item	Current Part	Description	Replaced Part	Qty.	Notes	Kits/Assys Where Needed
1	K-2170	FILTER REG KIT	A - 5454	1		
2	K-1698	-O- RING/ELEMENT KIT		1	FOR FILTER REGULATOR	
3	X-8C-412	CAPSCREW	X 8S 412	2	1/4"-20X2-1/4"	

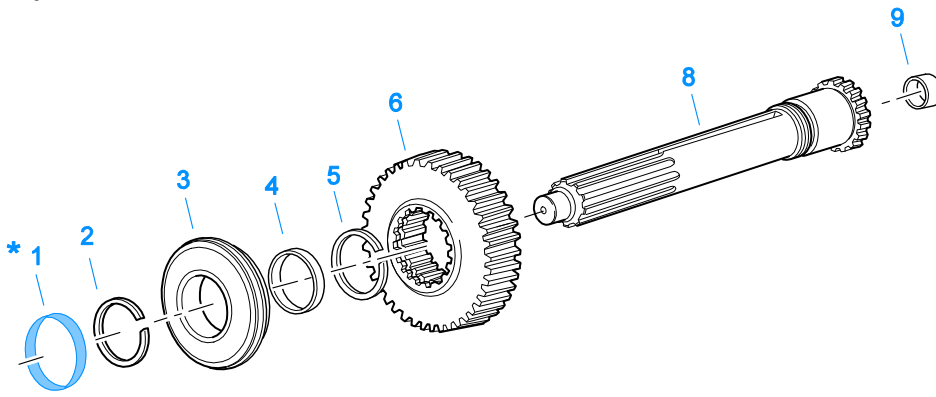
Group: H & C W/A-5000 VALVE



10110H-11-93 A-5000 HC

### H & C W/A-5000 VALVE

Item	Current Part	Description	Replaced Part	Qty.	Notes	Kits/Assys Where Needed
1	A-5000	SLAVE VALVE ASSY	20850	1		
2	19481	GASKET		1		K-2061
3	19462	-O- RING	14033	1		K-1969
4	K-1969	SLEEVE KIT	14362 ,19460 ,21446	1	FOR SLAVE VALVES	
5	21268	SPRING	19572	1		
6	20490	PIN	19459	1		
7	12845	ELBOW		3	1/8"	
8	X-8C-411	CAPSCREW		4	1/4"-20X1-3/4"	
9	55509	HOSE ASSY		2	34"	
10	55528	HOSE ASSY		1	36"	
11	K-2170	FILTER REG KIT	A - 5454	1		
12	X-12-208	PIPE PLUG		3	1/8" NPT	
13	X-8L-600	CAPSCREW		1	3/8"-16X1"	
14	21427	HOSE CLAMP		1		
15	21425	STRAP		1		
16	21426	BRACKET		1		
17	21428	HOSE CLAMP		1		
18	X-8L-604	CAPSCREW		1	3/8"-16X1-1/4"	
19	21086	BRANCH TEE		1	1/8"	
20	12880	ELBOW		2	1/8"	
21	15114	-O- RING		2		A-5000,K-1935,K-2170,K-2846



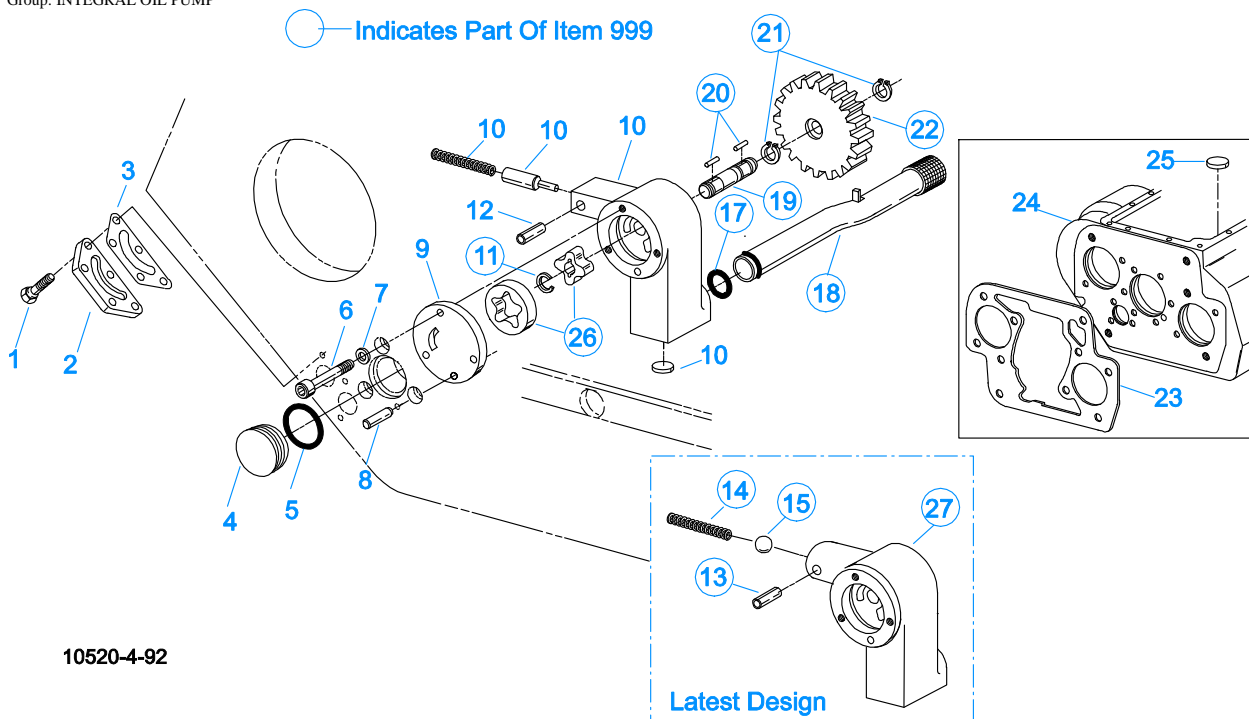
\* For Shipping Only -- Do Not Replace

\*

10370-1/92 IS

### INPUT SHAFT & DRIVE GEAR

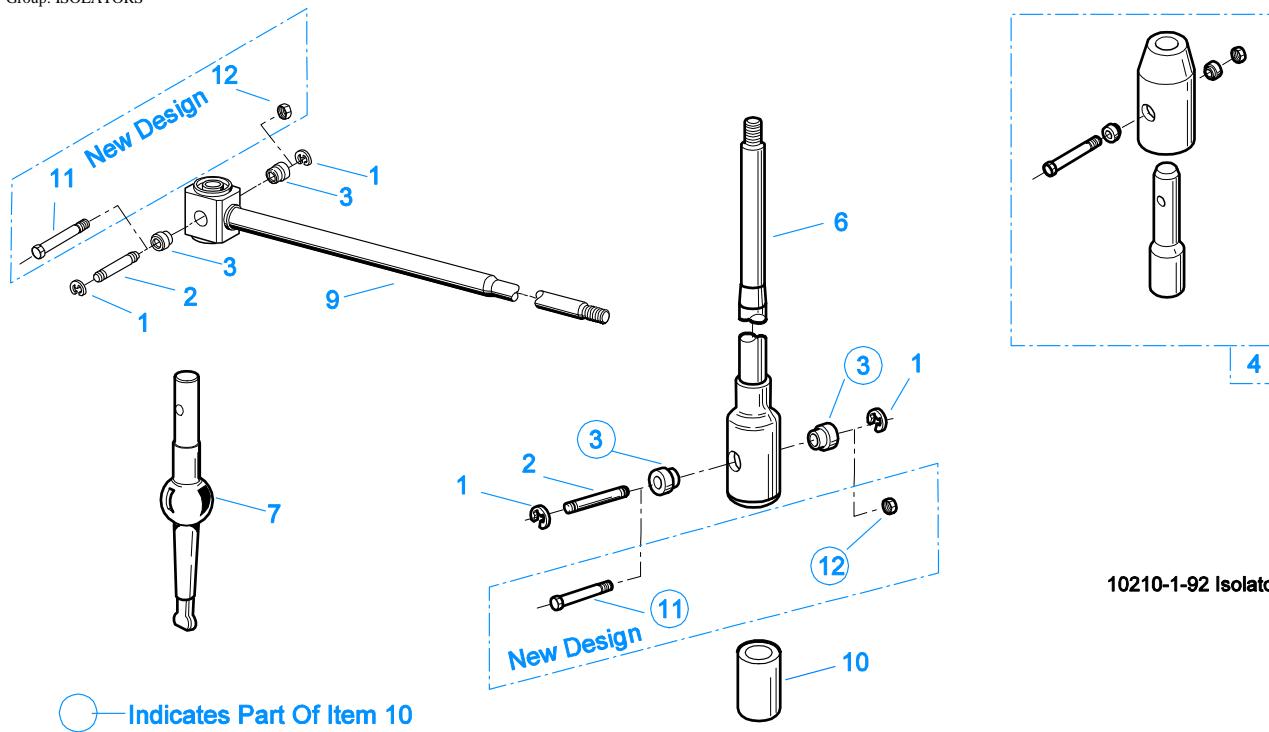
Item	Current Part	Description	Replaced Part	Qty.	Notes	Kits/Assys Where Needed
1	23559	SHIPPING SEAL		1	NOT SOLD FOR SERVICE	
2	16980	SNAP RING		1		K-2468,K-2847,K-2848,K-4125
3	81504	BEARING		1		K-2468,K-4125
4	16463	SPACER		1		
5	14750	SNAP RING		1		K-2468,K-2847,K-2848,K-2852,K-4125
6	22961	MAIN DRIVE GEAR	22959	1		
8	S-1659	INPUT SHAFT	23566	1	2" PULL	K-2468,K-2848,K-4125
8	S-1660	INPUT SHAFT	23567	1	2" PUSH	
9	16566	BUSHING		1		K-2847,S-1659,S-1660



### INTEGRAL OIL PUMP

Item	Current Part	Description	Replaced Part	Qty.	Notes	Kits/Assys Where Needed
1	X-8C-409	CAPSCREW		5	1/4"-20X5/8" - USE WITH 4300751 COVER	
1	X-8C-430	CAPSCREW		5	1/4"-20X7/8" - USE WITH 20513 COVER	
2	K-2402	COVER & SCREW KIT	20513 ,4300751	1		K-2061,K-2402
3	20514	GASKET		1		
4	20823	PLUG		1		
5	14765	-O- RING		1		K-2846,K-2853
6	X-8-448	SCREW	X 8 445	3	1/4"-20X1-1/4"	
7	20824	WASHER		3		K-3367
8	20825	DOWEL PIN		1		
9	4303107	RETAINER	20510	1		S-2210
10	K-3367	OIL PUMP KIT	4301829 ,4301948 ,4303776 ,4304529 ,4304572 A - 6963 ,A - 7173	1		
11	20518	CRESCENT RING		1		
12	62516	ROLL PIN	62521	1		
13	62514	ROLL PIN		1		
14	K-3367	OIL PUMP KIT	4301829 ,4301948 ,4303776 ,4304529 ,4304572 A - 6963 ,A - 7173	1		
15	X-14-700	STEEL BALL		1	7/16"	
17	20225	-O- RING		1		
18	4305713	SUCTION TUBE	4304628	1	O-RING INCLUDED ON SUCTION TUBE	K-3367
19	20508	DRIVE SHAFT		1		
20	20509	KEY		2		
21	14853	SNAP RING		2		
22	20511	DRIVE GEAR		1		
23	4306584	CLUTCH HOUSING GASKET	4304815,4305668	1		K-2061
24	S-2210	CASE ASSY	4302440	1	FOR USE W/INTEGRAL PUMP	
25	14373	MAGNET		3		S-2209,S-2210
26	20507	ELEMENT		1		
27	K-3367	OIL PUMP KIT	4301829 ,4301948 ,4303776 ,4304529 ,4304572 A - 6963 ,A -	1		

Item	Current Part	Description	Replaced Part	Qty.	Notes	Kits/Assys Where Needed
999	K-3367	OIL PUMP KIT	7173 4301829 ,4301948 .4303776 ,4304529 .4304572 A - 6963 ,A - 7173	1		



10210-1-92 Isolator

## ISOLATORS

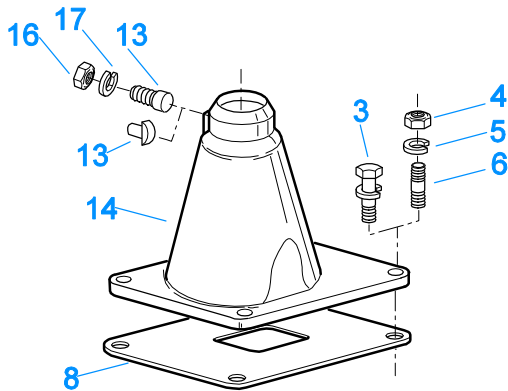
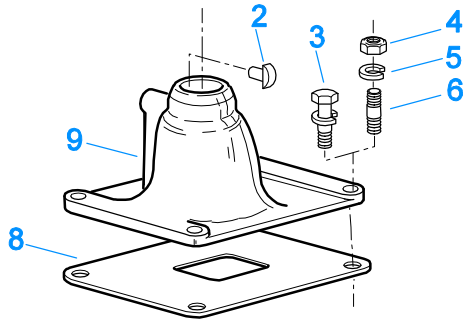
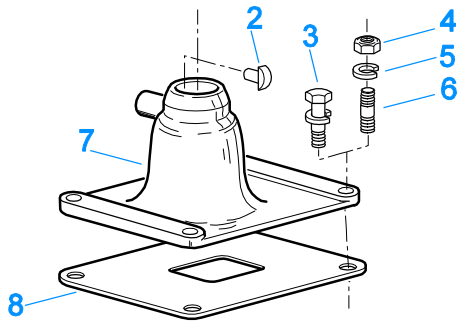
Item	Current Part	Description	Replaced Part	Qty.	Notes	Kits/Assys Where Needed
1	19124	-E- RING		2		
2	K-3467	PIN REPLACEMENT KIT	21245	1		
3	21246	BUSHING		2		K-2003,K-2428,K-2429,K-2978,K-3399,S-2129,S-2130,S-2519
4	S-1794	ISOLATOR ASSY		1		
6	21247	LEVER		1	STRAIGHT 18.67"	
7	21235	STUB LEVER		1	LOW TOWER	K-2428,S-1677
7	21236	STUB LEVER		1	HIGH TOWER	K-2429,S-1579,S-2130
7	4301168	STUB LEVER		1	MID TOWER	K-2978
9	21767	90 DEG LEVER		1	STRAIGHT 33"	
10	K-3399	ISOLATOR BUSHING KIT	21244 ,23311	1		
11	X-8-560	SCREW		1		
12	X-9-503	NUT		1		



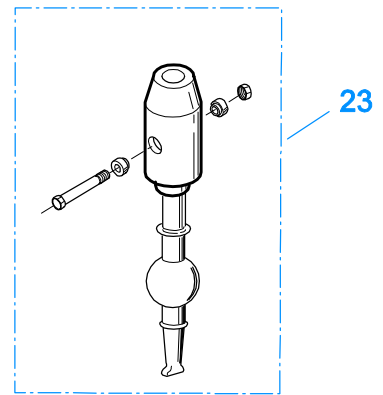
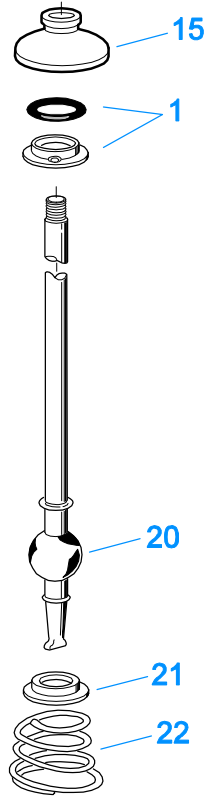
## KITS & ASSEMBLIES

Item	Current Part	Description	Replaced Part	Qty.	Notes	Kits/Assys Where Needed
K-1476		SHIFT LEVER HSG	4530 ,17163 ,18298 ,4304905 ,A - 4437	1	LOW TOWER	
K-1698		-O- RING/ELEMENT KIT		1	FOR FILTER REGULATOR	
K-1922		MASTER VALVE REPAIR KIT		1	FOR A-5015 VALVE	
K-1935		REPAIR KIT-SLAVE VALVE		1	FOR A-5000 VALVE	
K-1956		COOLER INSTLN KIT		1		
K-1969		SLEEVE KIT	14362 ,19460 ,21446	1	FOR SLAVE VALVES	
K-2003		PIN & BUSHING KIT		1		
K-2055		MASTER VALVE REPAIR KIT		1	FOR A-5315 VALVE	
K-2061		GASKET KIT		1		K-2847,K-2848
K-2077		GASKET KIT		1	FOR AUX. SECTION	
K-2170		FILTER REG KIT	A - 5454	1		
K-2262		OIL SEAL W/SLINGER	19109 20807 20808	1	"FOR MECHANICAL COVER"	K-2847,K-2848
K-2394		AIR SYSTEMS TOOL KIT		1		
K-2427		PISTON KIT	4301320	1		
K-2428		LEVER REPLACEMENT KIT		1	LOW TOWER	
K-2429		LEVER REPLACEMENT KIT		1	HIGH TOWER	
K-2468		CLUTCH INSTALLATION KIT		1	FOR USE WITH S-1659 INPUT SHAFT ASSY AND 81504 INPUT SHAFT BEARING	
K-2805		SHIM KIT	21452 K - 2106	1		K-2847,K-2848
K-2846		-O- RING KIT		1		K-2847,K-2848
K-2847		BASIC REBUILD KIT		1		
K-2848		BASIC OVERHAUL KIT		1		
K-2852		SMALL PARTS KIT		1		
K-2853		CYLINDER KIT		1		
K-2858		KEY & WASHER KIT		1	CONTAINS 3-SIDED KEY	
K-2945		COUNTERSHAFT REPL KIT	4302450,K-2946	1		
K-2973		SHIFT LEVER HSG KIT	17166 ,17167 ,4303050 ,4304910 ,K - 1630 K - 1941	1	HIGH TOWER	
K-2977		SHIFT LEVER HSG KIT	4301167 ,4304907 ,A - 6040	1	MID TOWER	
K-2978		LEVER REPLACEMENT KIT		1	MID TOWER	
K-3192		MASTER VALVE REPAIR KIT		1	FOR A-6915 VALVE	
K-3194		MASTER VALVE REPAIR KIT		1	FOR A-7315 VALVE	
K-3209		IDLER SHAFT REPL KIT	16405 ,4302981 ,4305513	1		
K-3367		OIL PUMP KIT	4301829 ,4301948 ,4303776 ,4304529 ,4304572 A - 6963 ,A - 7173	1		
K-3399		ISOLATOR BUSHING KIT	21244 ,23311	1		
K-3467		PIN REPLACEMENT KIT	21245	1		
K-3492		SYNCHRONIZER KIT	K - 2446	1		
K-3494		SYNCHRONIZER REPLACEMENT KIT	K - 2448	1	SLIDING CLUTCH INCLUDED IN KIT	
K-3651		OIL SEAL TOOL KIT		1		
K-4125		CLUTCH INSTALLATION KIT (RT), HYDRAULIC RELEASE		1	STANDARD RT INPUT SHAFT AND YOKE FOR HYDRAULIC CLUTCH RELEASE	
S-1404		OIL FILTER	17238	1		
S-1445		SHIFT BAR HSG	18920 ,20135 ,20214 ,20215 ,20487 21135 ,4302452	1	HOUSING ONLY (STD)	
S-1516		CAP ASSY	20851 ,20853	1		
S-1659		INPUT SHAFT	20535 23566 4302661	1	2" PULL - USE W/FBC 20550	K-2468,K-2848,K-4125
S-1660		INPUT SHAFT	23567	1	2" PUSH - USE W/FBC 20549	
S-1794		ISOLATOR ASSY		1		

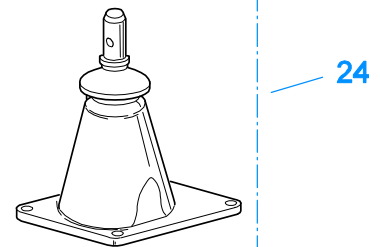
Item	Current Part	Description	Replaced Part	Qty.	Notes	Kits/Assys Where Needed
S-2129		SHIFT LEVER HSG ASSY		1	LOW TOWER	
S-2130		SHIFT LEVER HSG ASSY	S - 2053	1	HIGH TOWER	
S-2164		REAR BRG COVER ASSY	22733 ,4302026 ,S - 1553 ,S - 2367	1	MECHANICAL AND MAGNETIC	
S-2206		SHIFT BAR HSG	4302497	1	HOUSING ONLY (F)	
S-2207		SHIFT BAR HSG ASSY	4302452	1	COMPLETE (STD)	
S-2208		SHIFT BAR HSG ASSY	4302497	1	COMPLETE (F)	
S-2209		CASE ASSY	21318 ,4302518	1		
S-2210		CASE ASSY	4302440	1	FOR USE W/INTEGRAL PUMP	
S-2519		SHIFT LEVER HSG ASSY	S - 2919	1	MID TOWER	
S-2550		ROADRANGER VALVE ASSY	A - 6482	1	RTO - W/SHIFT DIAGRAM MEDALLION	
S-2688		MAINSHAFT ASSY	4303404 ,4303913	1		



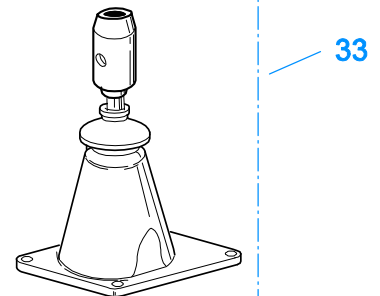
10207-9-95



K-2428 - Low  
K-2978 - Mid  
K-2429 - High



S-1677 - Low  
S-1967 - Mid  
S-1579 - High

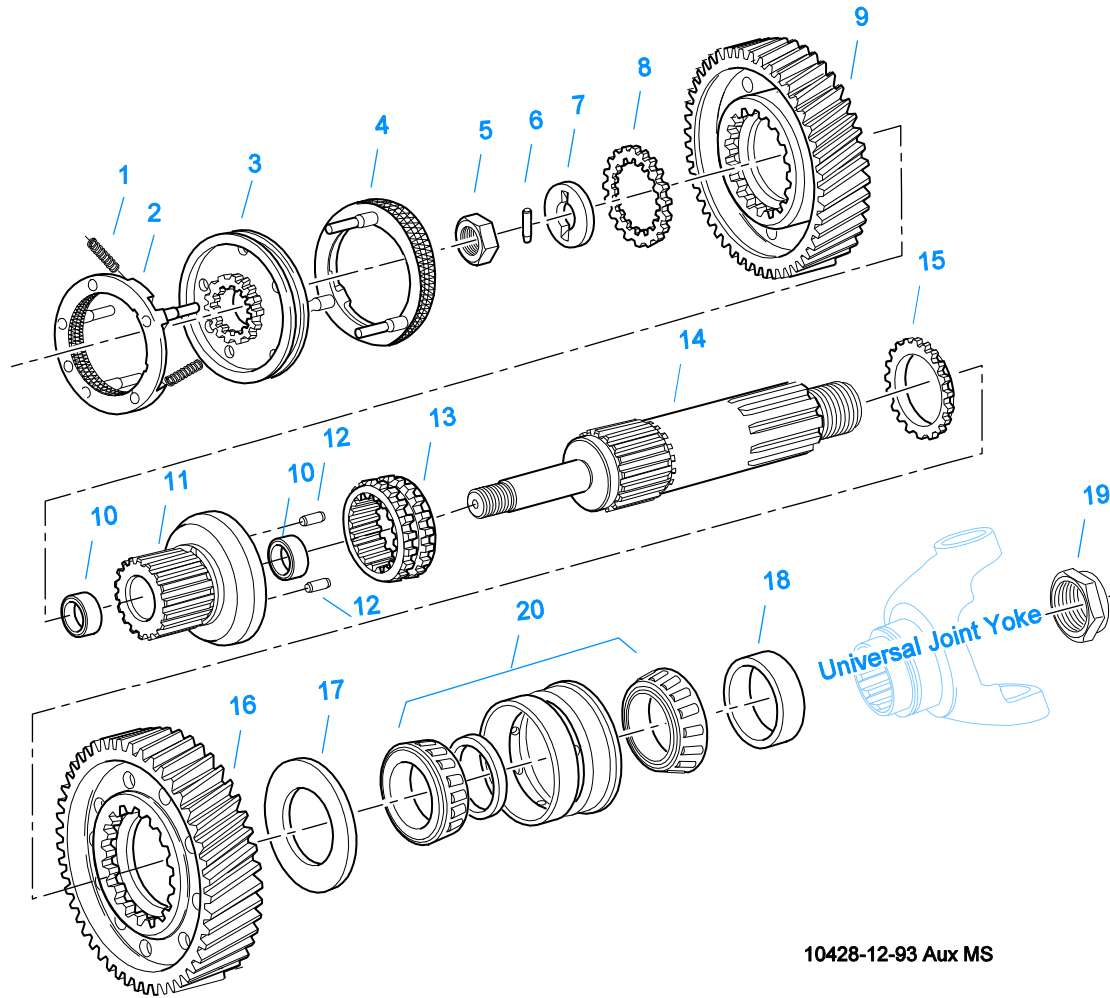


S-2129 - Low  
S-2519 - Mid  
S-2130 - High

## LEVERS/HOUSINGS

Item	Current Part	Description	Replaced Part	Qty.	Notes	Kits/Assys Where Needed
1	K-3376	O-RING & WASHER KIT	4301211	1		
2	18299	PIN		1		
3	X-8C-604	CAPSCREW		4	3/8"-16X1-1/4"	K-1476,K-2977,S-1677 S-1445
4	X-1-600	NUT		4	3/8"-24-N.F.PLAIN	
5	X-3-600	LOCKWASHER		4	3/8"	
6	11934	STUD	7467	4		
7	K-1476	SHIFT LEVER HSG	4530 ,17163 ,18298 ,4304905 ,A - 4437	1	LOW TOWER	
8	4305294	GASKET	4303431	1		K-1476,K-2061,K- 2428,K-2429,K- 2973,K-2977,K-2978,S-

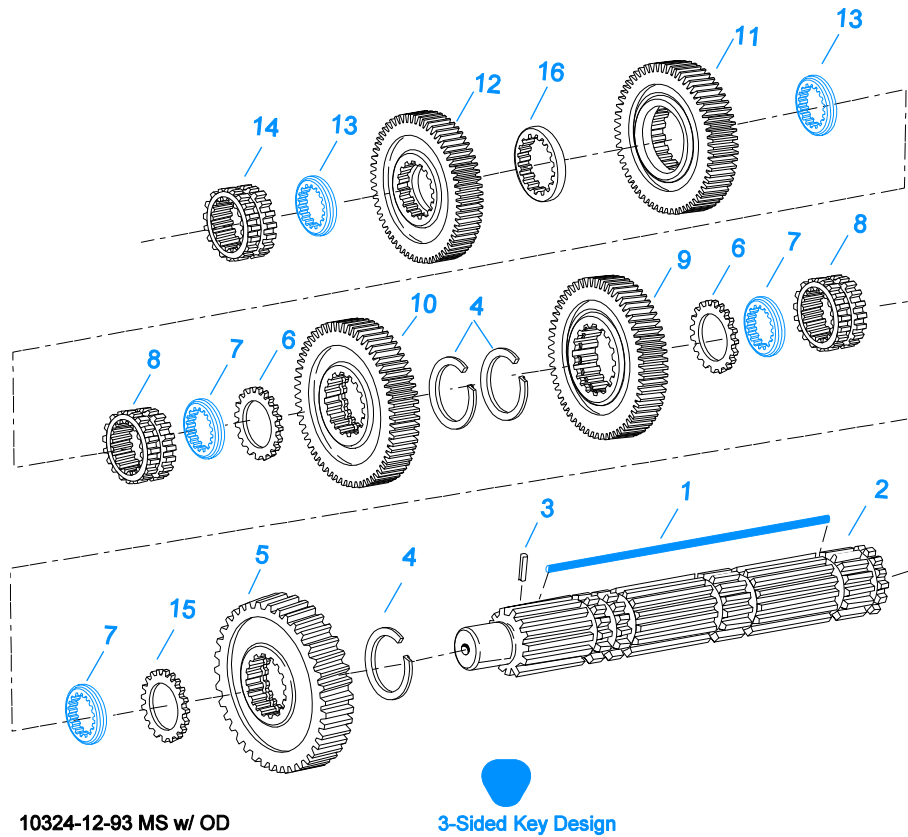
Item	Current Part	Description	Replaced Part	Qty.	Notes	Kits/Assys Where Needed
9	K-2977	SHIFT LEVER HSG KIT	4301167 ,4304907 ,A - 6040	1	MID TOWER	1579,S-1677,S-1967,S-2129,S-2130,S-2519
13	4303030	PIN		1		K-2973,S-1579,S-2130
13	6541	PIN		1	3/8" - USED W/17167 ONLY	
14	K-2973	SHIFT LEVER HSG KIT	17166 ,17167 ,4303050 ,4304910 ,K - 1630 K - 1941	1	HIGH TOWER	
15	10427	BOOT		1		K-1476,K-2973,K-2977,S-1579,S-1677,S-2130
16	X-1-600	NUT		1	3/8"-24-N.F.PLAIN	
17	X-3-600	LOCKWASHER		1	3/8"	
20	17600	GEAR SHIFT LEVER		1	STRAIGHT - LOW 21-1/2"	
20	18482	GEAR SHIFT LEVER		1	STRAIGHT - HIGH 35"	
21	2538	RETAINER		1		K-1476,K-2973,K-2977,S-1579,S-1677,S-2130
22	2536	SPRING		1		K-1476,K-2973,K-2977,S-1579,S-1677,S-2130
23	K-2428	LEVER REPLACEMENT KIT		1	LOW TOWER	
23	K-2429	LEVER REPLACEMENT KIT		1	HIGH TOWER	
23	K-2978	LEVER REPLACEMENT KIT		1	MID TOWER	
24	S-1579	SHIFT TOWER ASSY		1	HIGH TOWER	
24	S-1677	SHIFT TOWER ASSY		1	LOW TOWER	
24	S-1967	SHIFT TOWER ASSY		1	MID TOWER	
33	S-2129	SHIFT LEVER HSG ASSY		1	LOW TOWER	
33	S-2130	SHIFT LEVER HSG ASSY	S - 2053	1	HIGH TOWER	
33	S-2519	SHIFT LEVER HSG ASSY	S - 2919	1	MID TOWER	



10428-12-93 Aux MS

### MAINSHAFT & SYNCHRO(AUX)

Item	Current Part	Description	Replaced Part	Qty.	Notes	Kits/Assys Where Needed
1	14897	SPRING		3		K-2847,K-2848,K-2852,K-3492,K-3494
2	A-7331	SYNCHRONIZER ASSY	4304396 4304397 A - 5917	1	HI RANGE	K-3492,K-3494
3	20323	SLIDING CLUTCH		1		K-3494
4	A-7254	SYNCHRONIZER ASSEMBLY	A - 4937 A - 5876	1	LO RANGE	K-3492,K-3494
5	21365	NUT		1		K-2852
6	17332	DOWEL PIN		1		K-2852
7	21347	WASHER		1		K-2852
8	21350	WASHER		1		K-2852
9	4302468	REDUCTION GEAR	4302446	1		
10	21352	BUSHING		2		A-5156
11	A-5156	MAINSHAFT ASSY	21351	1		
12	21652	PIN		2		K-2852
13	21360	SLIDING CLUTCH		1		
14	21325	MAINSHAFT		1		
15	21354	WASHER		1		K-2852
16	4300677	DEEP REDUCTION GEAR		1		
17	21358	WASHER		1		K-2852
18	20191	ROTOR	16295	1		
19	22254	NUT		1		
20	21356-BOX	BEARING	21356	1		K-2847,K-2848



10324-12-93 MS w/ OD

3-Sided Key Design

## MAINSHAFT ASSY

Item	Current Part	Description	Replaced Part	Qty.	Notes	Kits/Assys Where Needed
1	4304614	3-SIDED KEY	4300890	1		K-2852,K-2858
1	K-2858	KEY & WASHER KIT		1	CONTAINS 3-SIDED KEY	
2	S-2688	MAINSHAFT ASSY	4303404 ,4303913	1		
3	62504	ROLL PIN		1		S-2688
4	14750	SNAP RING		3		K-2468,K-2847,K-2848,K-2852,K-4125
5	4302451	REVERSE GEAR-MAINSHAFT		1		
6	14749	SPACER		2		K-2852
7	4300382	WASHER .249-WHITE		3	OPTIONAL 4300382-4300387 OR 4300830 USE ANY 3 WASHERS. USE WITH 3-SIDED KEY	K-2852,K-2858
7	4300383	WASHER .254-GREEN		3	OPTIONAL 4300382-4300387 OR 4300830 USE ANY 3 WASHERS. USE WITH 3-SIDED KEY	K-2852,K-2858
7	4300384	WASHER .259-ORANGE		3	OPTIONAL 4300382-4300387 OR 4300830 USE ANY 3 WASHERS. USE WITH 3-SIDED KEY	K-2852,K-2858
7	4300385	WASHER .264-PURPLE		3	OPTIONAL 4300382-4300387 OR 4300830 USE ANY 3 WASHERS. USE WITH 3-SIDED KEY	
7	4300386	WASHER .269-YELLOW		3	OPTIONAL 4300382-4300387 OR 4300830 USE ANY 3 WASHERS. USE WITH 3-SIDED KEY	
7	4300387	WASHER .274-BLACK		3	OPTIONAL 4300382-4300387 OR 4300830 USE ANY 3 WASHERS. USE WITH 3-SIDED KEY	
7	4300830	WASHER .244-BLUE		3	OPTIONAL 4300382-4300387 OR 4300830 USE ANY 3 WASHERS. USE WITH 3-SIDED KEY	K-2852,K-2858
8	16118	SLIDING CLUTCH		2		
9	4302465	LO GEAR-MAINSHAFT		1		
10	21024	1ST GEAR-MAINSHAFT	19628	1		
11	4302394	2ND GEAR-MAINSHAFT	4302395	1		

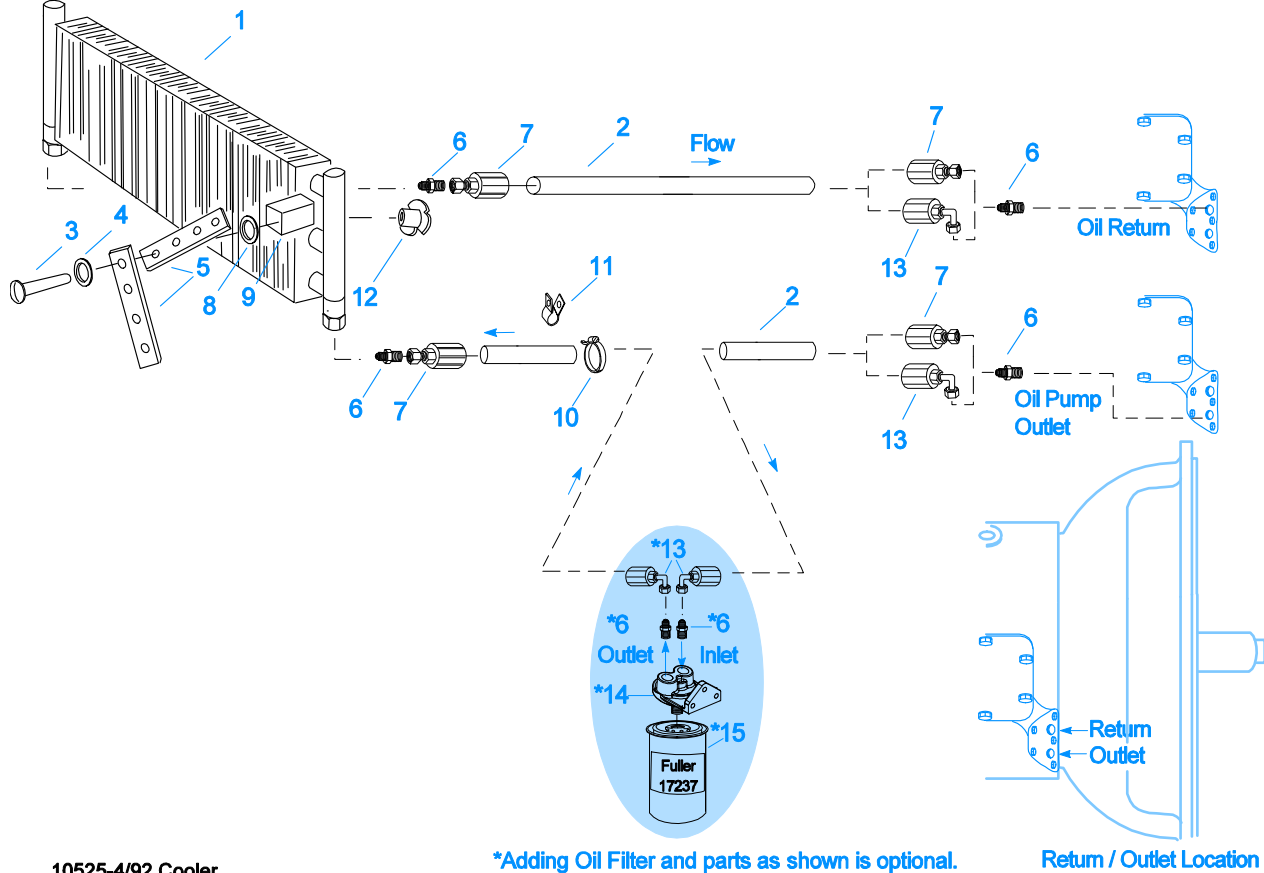
Item	Current Part	Description	Replaced Part	Qty.	Notes	Kits/Assys Where Needed
12	4302393	OD GEAR-MAINSHAFT	4305070	1		
13	4302398	WASHER		2		K-2852,K-2858
14	4304317	SLIDING CLUTCH	22026	1		K-2848
15	14749	SPACER		1		K-2852
16	4303603	WASHER	4302397	1		K-2852,K-2858

## MISCELLANEOUS

Item	Current Part	Description	Replaced Part	Qty.	Notes	Kits/Assys Where Needed
4302441		SHIFT DIAGRAM LABEL		1		
71203		SILICONE LUBE		1	8 OZ (236.59 CC)-FLEET SIZE	
71204		ADHESIVE SEALANT		1	0.5 CC (SINGLE APPLICATION SIZE)	
71205		SEALANT		1	2 CC (SINGLE APPLICATION SIZE)	K-2848
71206		SILICONE LUBE		1	4 CC (SINGLE APPLICATION SIZE)	K-2428,K-2429,K-2846,K-2853,K-2978



Group: OIL COOLER



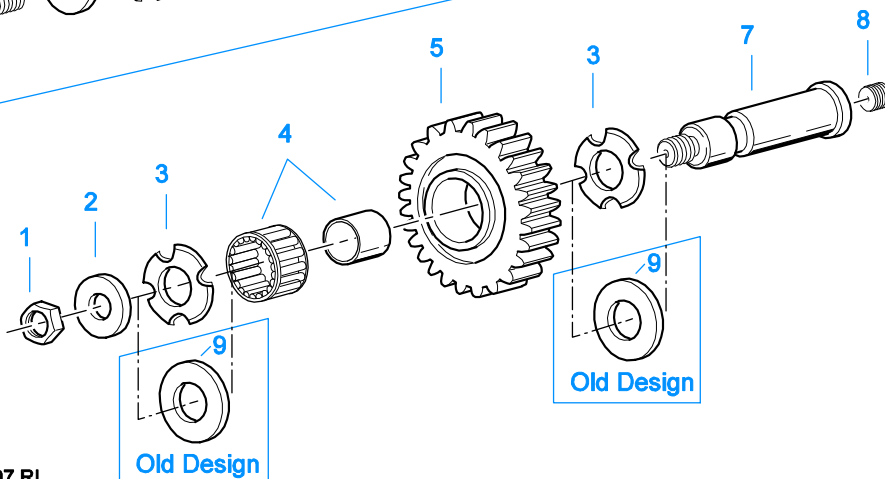
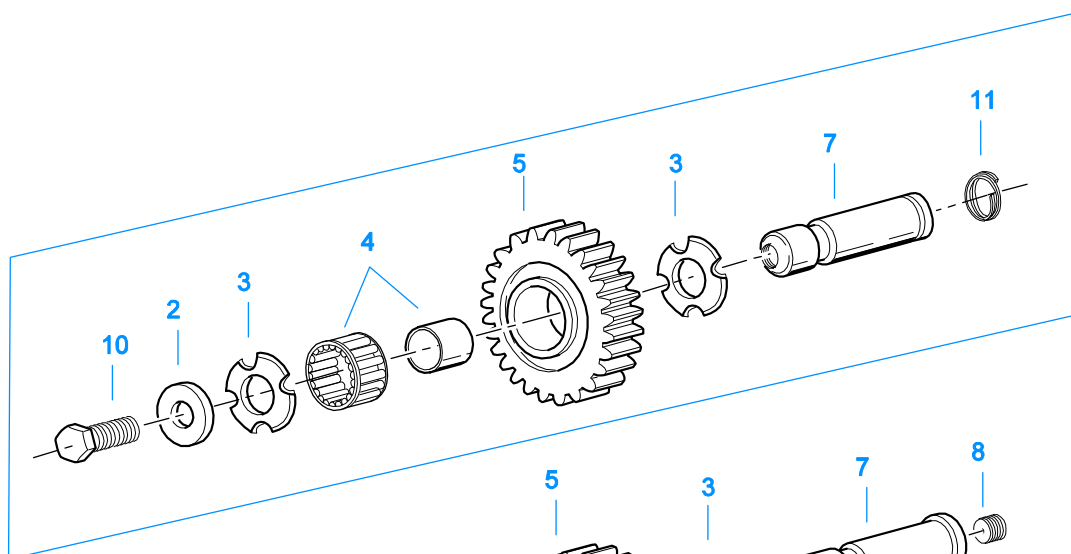
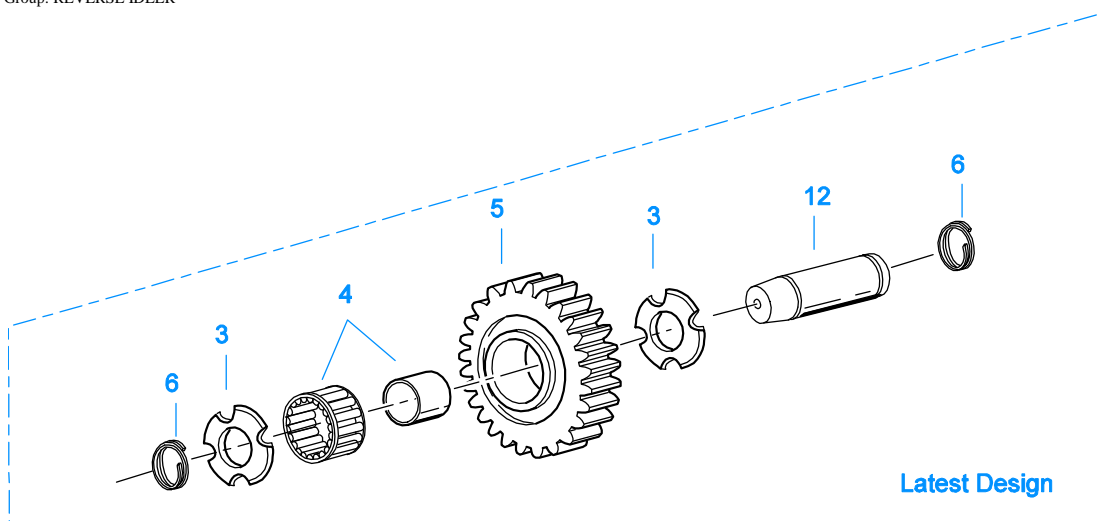
10525-4/92 Cooler

\*Adding Oil Filter and parts as shown is optional.

Return / Outlet Location

## OIL COOLER

Item	Current Part	Description	Replaced Part	Qty.	Notes	Kits/Assys Where Needed
1	18025	OIL COOLER		1		K-1956
2	19424	HOSE		1	25 FEET	K-1956
3	X-8-535	CAPSCREW		2	5/16"-16X2-1/2"	
4	X-3-506	LOCKWASHER		2	5/16"	
5	18211	BRACKET		4		K-1956
6	19419	CONNECTOR		6		K-1956,S-1404
7	19415	SWIVEL		4		K-1956
8	X-10-501	WASHER		2	5/16"	
9	18209	PLUG-RUBBER MOUNT		2		K-1956
10	17190	STRAP		8		K-1956
11	19423	CLAMP		5		K-1956
12	18210	NUT		2		K-1956
13	19422	ELBOW		4		K-1956
14	S-1404	OIL FILTER	17238	1		
15	17237	FILTER ELEMENT		1		S-1404

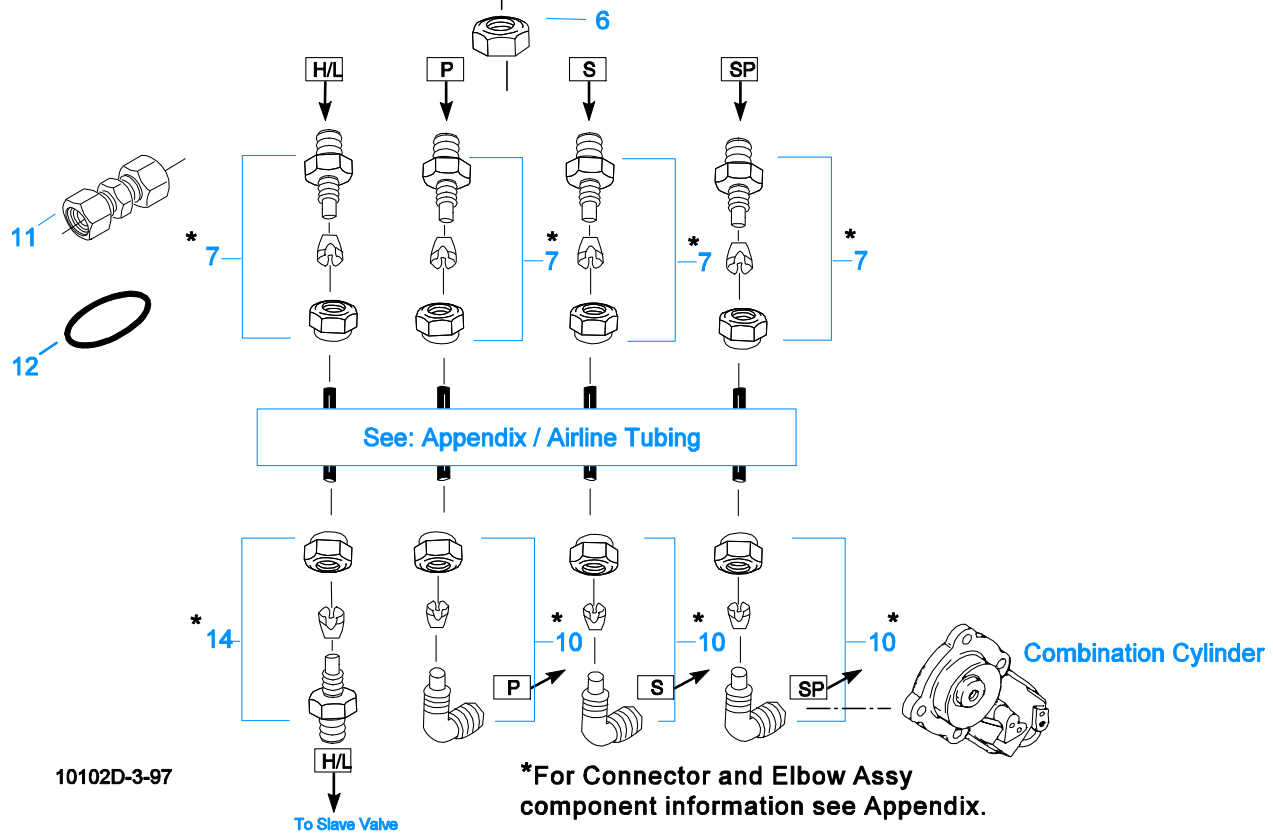
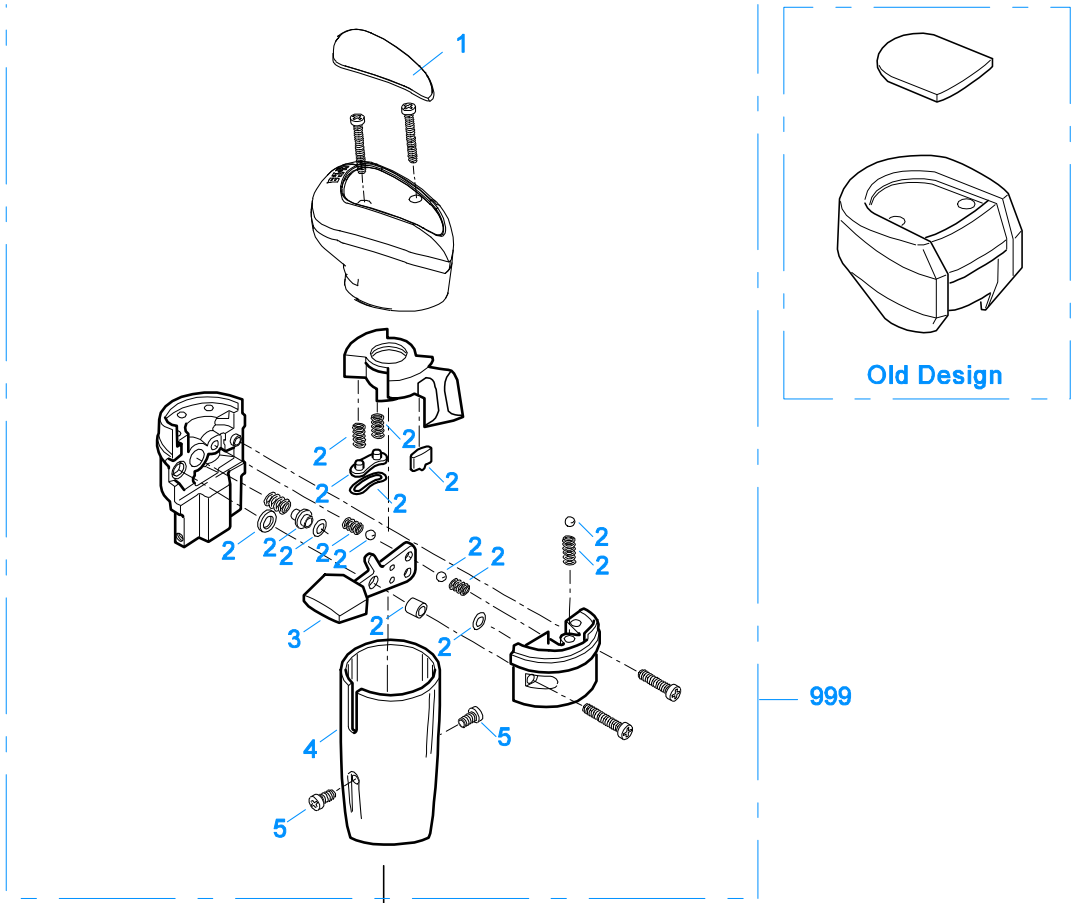


11383-5-97 RI

## REVERSE IDLER

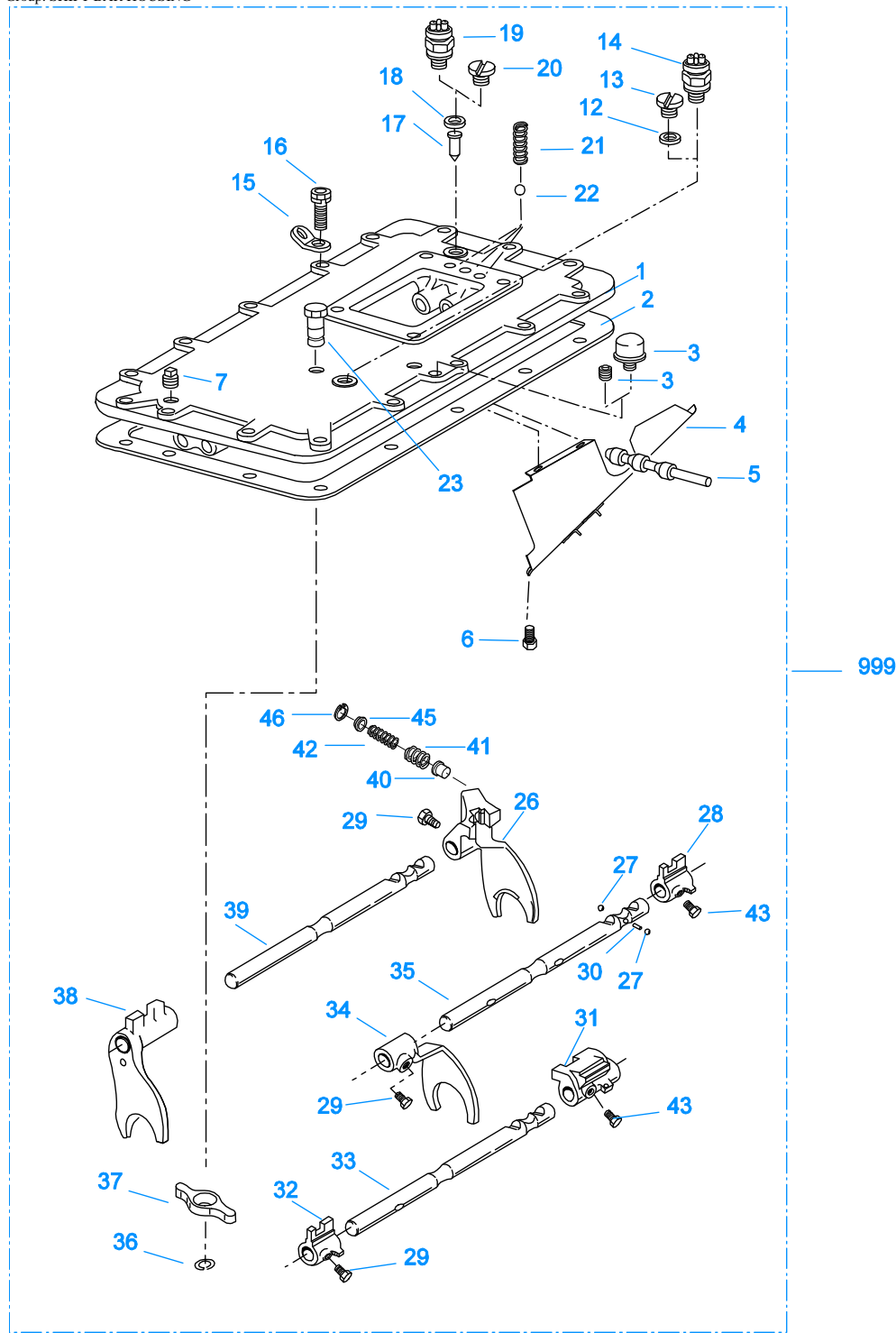
Item	Current Part	Description	Replaced Part	Qty.	Notes	Kits/Assys Where Needed
1	X-1-1008	NUT		2	5/8"-18	
2	14283	WASHER		2		
3	4302982	WASHER	14282	4		K-3209,S-2209,S-2210
4	14287	BEARING	4305020	2		K-2847,K-2848
5	23214	REVERSE IDLER GEAR		2		
6	4303336	RETAINING RING		4		K-3209
7	K-3209	IDLER SHAFT REPL KIT	16405 ,4302981 ,4305513	2		
8	5202	PLUG		2		

Item	Current Part	Description	Replaced Part	Qty.	Notes	Kits/Assys Where Needed
9	14282	NO LONGER AVAILABLE		4		
10	X-7-1008	CAPSCREW		2	5/8"-18X1-1/4	
11	4303336	RETAINING RING		2		K-3209
12	4305513	IDLER SHAFT		2		K-3209



## ROADRANGER VALVE

Item	Current Part	Description	Replaced Part	Qty.	Notes	Kits/Assys Where Needed
1	20107	MEDALLION, LOGO		1	(OLD DESIGN) FULLER LOGO ONLY	
1	21691	LOGO MEDALLION	4302349, 4300370	1	(OLD DESGIN) FULLER LOGO (LEFT OF DRIVER)	
1	5586100	MEDALLION, LOGO		1	(LATEST DESIGN) FULLER LOGO ONLY	A-6915,A-7315
1	5586110	SHIFT DIAGRAM MEDALLION		1	RTO	S-2550
2	K-1922	MASTER VALVE REPAIR KIT		1	FOR A-5015 VALVE	
2	K-2055	MASTER VALVE REPAIR KIT		1	FOR A-5315 VALVE	
2	K-3192	MASTER VALVE REPAIR KIT		1	FOR A-6915 VALVE	
2	K-3194	MASTER VALVE REPAIR KIT		1	FOR A-7315 VALVE	
3	20496	LEVER		1		A-6915,A-7315
4	20112	COVER		1		A-6915,A-7315
5	X-8-213	SCREW	X 8 202	2	8-32X3/8"	
6	X-9-802	NUT		1	1/2"-13	
7	84001	CONNECTOR ASSY	82501	4	1/8" TUBE-1/16" NPTF	
7	84003	CONNECTOR ASSY	82503	4	5/32" TUBE-1/16" NPTF	
7	84005	CONNECTOR ASSY		4	"PUSH-TO-CONNECT" 5/32" TUBE-1/16" NPTF	
10	85001	ELBOW ASSY	84501	3	5/32" TUBE-1/8" NPTF	
10	85002	ELBOW ASSY	84502	3	1/8" TUBE-1/8" NPTF	
10	85003	ELBOW ASSY		3	"PUSH-TO-CONNECT" 5/32" TUBE-1/8" NPTF	K-2848
11	84101	UNION ASSY		1	1/8" TUBING	
11	84102	UNION ASSY		1	5/32" TUBING	
11	84103	UNION ASSY		1	"PUSH-TO-CONNECT" 5/32" TUBING	
12	13571	-O- RING CLAMP		2		
14	84004	CONNECTOR ASSY	82504	1	5/32" TUBE-1/8" NPTF	
999	A-6915	ROADRANGER VALVE ASSY	A - 5015	1	STANDARD-W/LOGO	
999	A-7315	ROADRANGER VALVE ASSY	A - 5315	1	(LEFT OF DRIVER)-W/LOGO	
999	S-2550	ROADRANGER VALVE ASSY	A - 6482	1	RTO - W/SHIFT DIAGRAM MEDALLION	



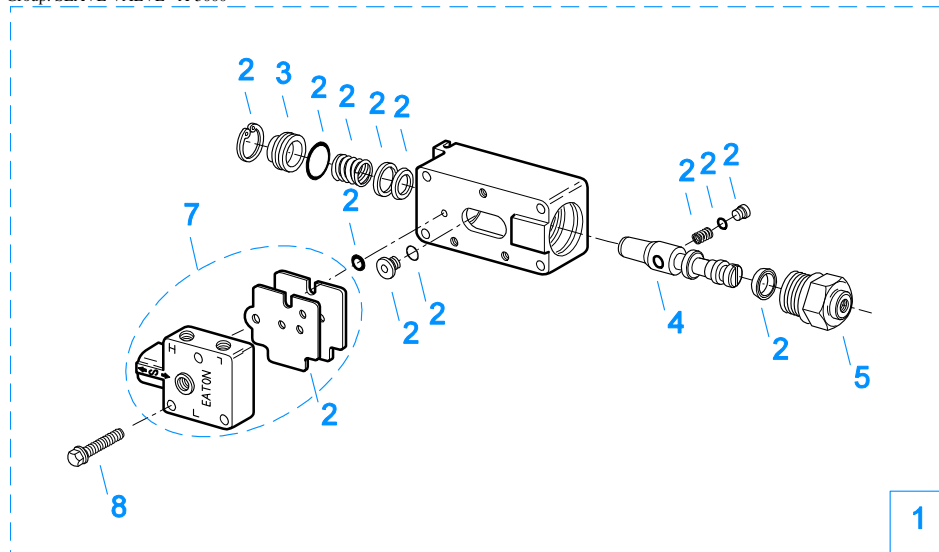
10241-3-94 X-Bar

### SHIFT BAR HOUSING

Item	Current Part	Description	Replaced Part	Qty.	Notes	Kits/Assys Where Needed
1	S-1445	SHIFT BAR HSG (STD)	18920 ,20135 ,20214 ,20215 ,20487 21135 ,4302452	1	HOUSING ONLY (X)	
2	4302676	GASKET	14918	1		K-2061,S-2207,S-2208
3	4304602	BREATHER	23605	1	1/4" NPT	
3	X-12-404	PIPE PLUG		1	1/4" NPT	
4	20070	OIL TROUGH		1		S-2207,S-2208

Item	Current Part	Description	Replaced Part	Qty.	Notes	Kits/Assys Where Needed
5	20332	AIR VALVE SHAFT	17177	1		S-2207,S-2208
6	X-8-423	CAPSCREW		2	1/4"-20X1/2"	
7	X-12-603	PIPE PLUG	X12 602	1	3/8" NPT	
12	17179	GASKET		1		S-1445,S-2206,S-2207,S-2208
13	4303655	PLUG	17178	1		S-1445,S-2206,S-2207,S-2208
14	22941	NEUTRAL LIGHT SWITCH	12639	1	SWITCH NORMALLY CLOSED	
15	20815	LIFTING EYE	17105	2		
16	X-8L-602	CAPSCREW		2	3/8"-16X1-1/2"	
16	X-8L-604	CAPSCREW		16	3/8"-16X1-1/4" OR USE 14 PCS OF X-8L-604 WITH 2 PCS OF X-8L-602	
17	15899	PIN		1		S-1445,S-2206,S-2207,S-2208
18	15900	GASKET		1		S-1445,S-2206,S-2207,S-2208
19	22940	REVERSE LIGHT SWITCH	16830	1	SWITCH NORMALLY OPEN	
20	4303656	PLUG	15917	1		S-1445,S-2206,S-2207,S-2208
21	15918	SPRING		3		K-2848,K-2852,S-2207,S-2208
22	X-14-800	STEEL BALL		3	1/2"	
23	K-3104	ACTUATOR PIN KIT	4303287	1		
26	4302517	SHIFT YOKE		1	REVERSE/LO	
27	X-14-1200	STEEL BALL		2	3/4"	
28	14658	SHIFT BLOCK		1	1ST/2ND	S-2207
29	3220	LOCKSCREW		3		S-2207,S-2208
30	1634	INTERLOCK PIN		1		K-2852,S-2207,S-2208
31	19063	SHIFT BLOCK		1	3RD/OD (REAR)	S-2207
32	20120	SHIFT BLOCK	18924	1	3RD/OD (FRONT)	S-2207,S-2208
33	18928	YOKE BAR	4302760	1	3RD/OD	S-2207
34	18922	SHIFT YOKE		1	1ST/2ND	S-2207,S-2208
35	18927	YOKE BAR		1	1ST/2ND	S-2207
36	4302070	SNAP RING		1		K-3104,S-2207,S-2208
37	4303225	ACTUATOR		1		S-2207,S-2208
38	4305575	SHIFT YOKE	20450	1	3RD/OD	S-2207,S-2208
39	18926	YOKE BAR		1	REVERSE/LO	S-2207
40	19790	PLUNGER		1		
41	19791	SPRING		1		
42	19838	SPRING		1		
43	15776	LOCKSCREW		2		S-2207,S-2208
45	19792	RETAINER		1		
46	19793	SNAP RING		1		A-5000,K-1935
999	S-2207	SHIFT BAR HSG ASSY (STD)	4302452	1	COMPLETE	

Group: SLAVE VALVE - A-5000



10120-10-97 A-5000 SV

2 Repair Kit

### SLAVE VALVE - A-5000

Item	Current Part	Description	Replaced Part	Qty.	Notes	Kits/Assys Where Needed
1	A-5000	SLAVE VALVE ASSY	20850	1		
2	K-1935	REPAIR KIT-SLAVE VALVE		1	FOR A-5000 VALVE	
3	20855	PLUG		1		A-5000
4	20854	PISTON		1		A-5000
5	20849	CAP	15131	1		A-5000
7	S-1516	CAP ASSY	20851 ,20853	1		
8	X-8C-413	CAPSCREW		3	1/4"-20X1-1/2"	





