



Roadranger®

More time on the road®

Illustrated Parts List

RTO-13707MLL
July 2011

Contents

| | |
|---|----|
| How To Use The Illustrated Parts List | 3 |
| AUXILIARY DRIVE GEAR..... | 4 |
| CASE (AUX) | 5 |
| CASE (FRONT)..... | 7 |
| COMBINATION CYLINDER | 9 |
| COUNTERSHAFT & BRGS(AUX)..... | 10 |
| COUNTERSHAFT ASSY | 11 |
| FILTER REGULATOR..... | 12 |
| H & C W/19470 VALVE..... | 13 |
| H & C W/A-5000 VALVE..... | 14 |
| INPUT SHAFT & DRIVE GEAR | 15 |
| ISOLATORS | 16 |
| KITS & ASSEMBLIES | 17 |
| LEVERS/HOUSINGS | 18 |
| MAINSHAFT & SYNCHRO(AUX)..... | 20 |
| MAINSHAFT ASSY | 21 |
| MISCELLANEOUS | 23 |
| REVERSE IDLER..... | 24 |
| ROADRANGER VALVE | 27 |
| SHIFT BAR HOUSING (STD)..... | 28 |
| SLAVE VALVE - 19470..... | 30 |
| SLAVE VALVE - A-5000..... | 31 |

How To Use The Illustrated Parts List

The information contained in this document is subject to frequent updates. Therefore, for the latest information available, please visit the interactive Electronic Parts Catalog at www.roadranger.com/epc.

Model Designation or Nomenclature

- For information regarding Model Designation and Nomenclature, visit www.roadranger.com.

Kits and Assemblies (K/A's)

- Kits and Assemblies contain groups of individual or assembled parts developed for optimal replacement or repair of a service problem.
- Kits and Assemblies are shown with applicable parts groupings in the parts listings.

Identifying Kits and Assemblies

A- Part numbers beginning with the letter 'A' are pre-assembled Production Assemblies

K- Part numbers beginning with the letter 'K' are kits that are not assembled

S- Part numbers beginning with the letter 'S' are pre-assembled Service Assemblies

- Note: Some Production Assemblies do not begin with a letter prefix (Midrange only).

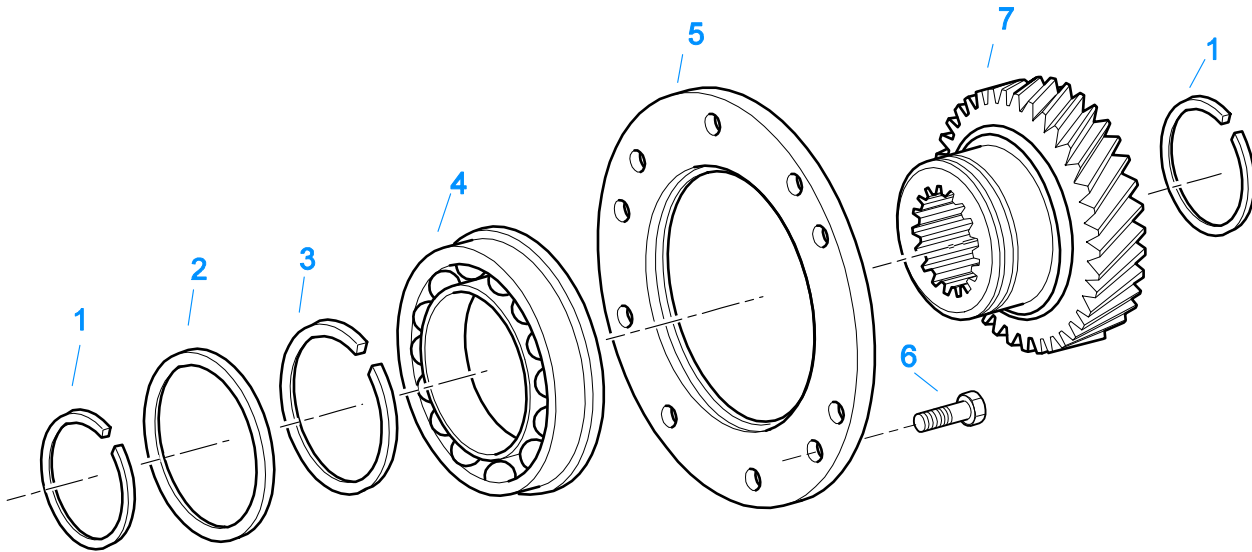
Illustrations

- Illustrations show parts in assembly groups.
- Item numbers on illustrations correspond with parts listings on pages adjacent to the illustration.
- Notes are included on illustrations where additional information is needed.

Parts Listing

Parts listings are defined by parts groupings and are broken down by service assemblies. Parts listings identify a part for servicing with the following categories

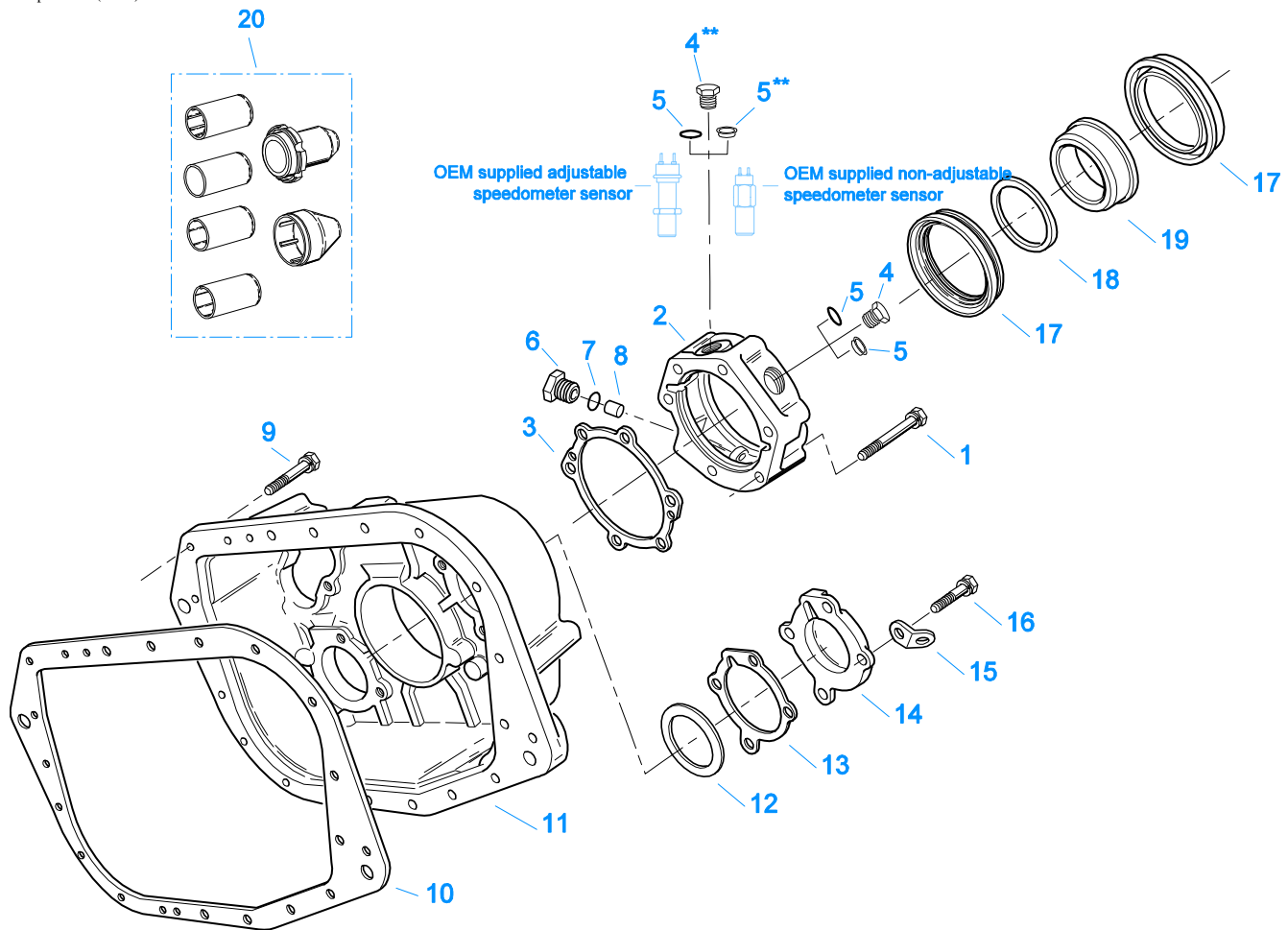
- **Item Number** - corresponding with numbers on illustrations for part identification.
- **Current Part** - identifies part as it is available for service.
- **Description** - specifies part name or description.
- **Replaced Part** - quantity quantity required for assembly.
- **Quantity** - defines unique characteristics or requirements.
- **Notes** - indicates Kits or Assemblies that contain a particular part.
- **Kits/Assy's Where Used**



10480-12/92 Aux DG

AUXILIARY DRIVE GEAR

| Item | Current Part | Description | Replaced Part | Qty. | Notes | Kits/Assys Where Needed |
|------|--------------|----------------------|-----------------|------|------------|-------------------------|
| 1 | 16763 | SNAP RING | | 2 | | K-2746,K-2854,K-2855 |
| 2 | 21320 | SNAP RING RETAINER | | 1 | | K-2854,K-2855 |
| 3 | 16628 | SNAP RING | | 1 | | K-2746 |
| 4 | 5566507-BOX | BEARING | 5566504,5566507 | 1 | | K-2854,K-2855 |
| 5 | 16138 | BEARING RETAINER | | 1 | | |
| 6 | X-8-645 | CAPSCREW | X 8 612 | 6 | 3/8"-16X1" | |
| 7 | 23159 | AUXILIARY DRIVE GEAR | 21321 | 1 | | |



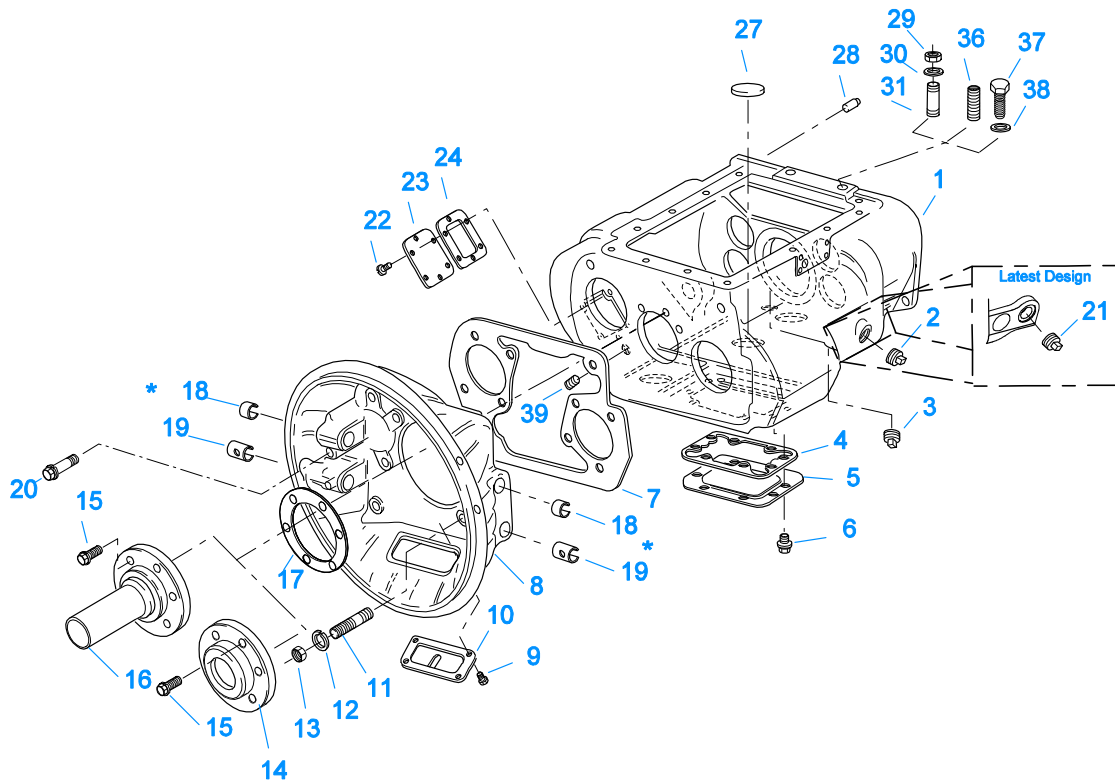
**** Note — Items 4 & 5 / Magnetic Speedometer Openings:**
 Use 13679 "O" ring w/ OEM supplied adjustable speedometer sensor
 and 20225 "O" ring w/ OEM supplied non-adjustable speedometer sensor or Eaton part #20224 Plug

10407-12-93 Aux Case

CASE (AUX)

| Item | Current Part | Description | Replaced Part | Qty. | Notes | Kits/Assys Where Needed |
|------|--------------|---------------------|------------------------------------|------|---|-----------------------------|
| 1 | X-8L-611 | CAPSCREW | | 6 | 3/8"-16X3-1/4" | |
| 2 | S-2164 | REAR BRG COVER ASSY | 22733 ,4302026 ,S - 1553 ,S - 2367 | 1 | MECHANICAL AND MAGNETIC | |
| 3 | 21364 | GASKET | | 1 | | K-2061,K-2077,K-2262,S-2164 |
| 4 | 20224 | PLUG-MAGNETIC | | 2 | | S-1554,S-2164,S-2214 |
| 5 | 13679 | -O- RING | | 1 | USE W/OEM SUPPLIED ADJUSTABLE SPEEDOMETER SENSOR NOT TO BE USED WITH 4301954 SEAL | |
| 5 | 20225 | -O- RING | | 2 | USE W/20224 PLUG OR OEM SUPPLIED NON-ADJUSTABLE SPEEDOMETER SENSOR NOT TO BE USED WITH 4301954 SEAL O-RING NOT REQUIRED | |
| 5 | 4301954 | SENSOR SEAL | | 2 | | S-2164 |
| 6 | 20226 | PLUG-MECHANICAL | | 1 | | S-1554,S-2164,S-2214 |
| 7 | 14142 | -O- RING | | 1 | | S-1554,S-2164,S-2214 |
| 8 | 7992 | BUSHING | | 1 | | S-2164 |
| 9 | X-8L-602 | CAPSCREW | | 17 | 3/8"-16X1-1/2" | |
| 9 | X-8L-614 | CAPSCREW | | 2 | 3/8"-16X2" | |
| 10 | 14335 | GASKET | | 1 | | K-2061,K-2077,S-1554,S-2214 |
| 11 | 21431 | REAR HOUSING | | 1 | | |

| Item | Current Part | Description | Replaced Part | Qty. | Notes | Kits/Assys Where Needed |
|------|--------------|---------------------|-------------------|------|------------------------|-----------------------------|
| 12 | K-2805 | SHIM KIT | 21452 K - 2106 | 1 | | K-2854,K-2855,S-1554,S-2214 |
| 13 | 4305978 | GASKET | 4302246 | 2 | | K-2061,K-2077,S-1554,S-2214 |
| 14 | 4302320 | COVER | 21346 | 2 | | S-1554,S-2214 |
| 15 | 20815 | LIFTING EYE | | 2 | | S-1554,S-2214 |
| 16 | X-8L-604 | CAPSCREW | | 8 | 3/8"-16X1-1/4" | |
| 17 | K-2262 | OIL SEAL W/SLINGER | 19109 20807 20808 | 1 | "FOR MECHANICAL COVER" | K-2854,K-2855 |
| 18 | 4301960 | SEAL | | 1 | | A-6299 |
| 19 | A-6299 | SPACER-SLINGER ASSY | 21359 ,4301959 | 1 | | |
| 20 | K-3651 | OIL SEAL TOOL KIT | | 1 | | |



10300-6-92 Iron/Alum Hsg

* Bushing quantity requirements: #1 Housing – Upper bore use 4 #12815 / Lower bore use 2 #8677.

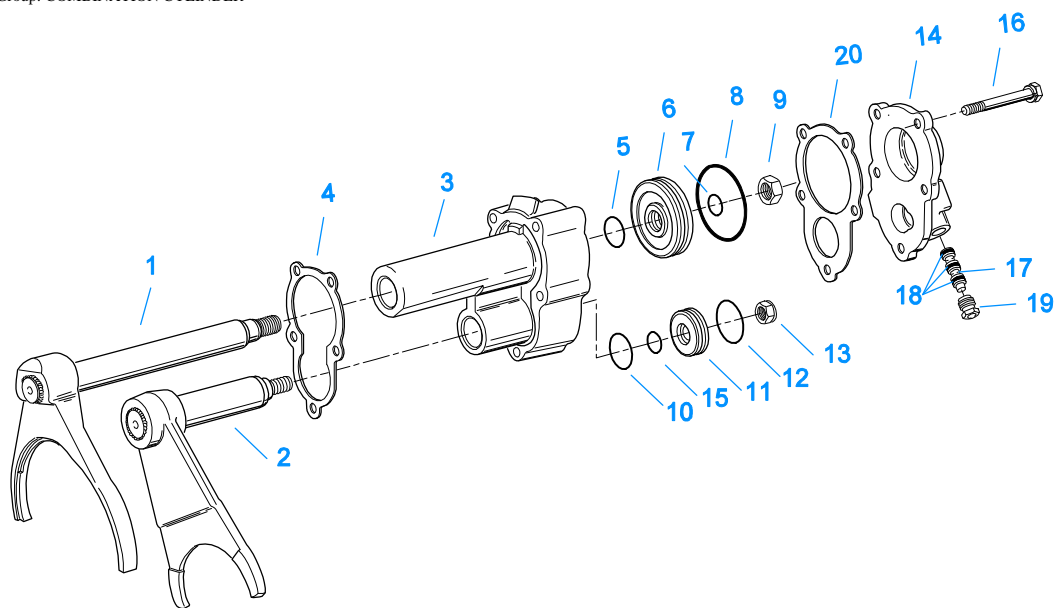
#2 Housing – Upper bore use 2 #12815 and 1 #8677 / Lower bore use 2 #8677.

Note: Some part requirements are specific to #1 or #2 Aluminum or Iron Clutch Housings and Push or Pull type Clutch.

CASE (FRONT)

| Item | Current Part | Description | Replaced Part | Qty. | Notes | Kits/Assys Where Needed |
|------|--------------|--------------------------|--|------|---|-----------------------------|
| 1 | S-2209 | CASE ASSY | 21317,S-1547 | 1 | | |
| 2 | X-12-2007 | PIPE PLUG | X12 2006 | 1 | | |
| 3 | X-12-1207 | PIPE PLUG | X12 1202 ,X12 1206 | 1 | 3/4" MAGNETIC | |
| 4 | 4305310 | GASKET | 4302810 | 1 | | K-2061 |
| 5 | 4302809 | PTO COVER | 16596 ,4300571 | 1 | | |
| 6 | X-8-725 | CAPSCREW | | 8 | 7/16"-14X7/8" | |
| 7 | 4306584 | CLUTCH HOUSING GASKET | 4304815,4305668 | 1 | | K-2061 |
| 8 | A-3713 | CLUTCH HOUSING ASSY | A - 3700 | 1 | #1 PUSH-PULL IRON | |
| 8 | A-3723 | CLUTCH HOUSING ASSY | A - 3721 ,A - 3722 | 1 | #2 PUSH-PULL IRON | |
| 8 | A-4772 | CLUTCH HOUSING ASSY | A - 4344 ,A - 4771 | 1 | #2 PUSH-PULL ALUM. | |
| 8 | A-6064 | CLUTCH HOUSING ASSY | A - 4342 ,A - 4770 ,A - 6062 ,A - 6063 ,A - 6065 | 1 | #1 PUSH-PULL ALUM. | |
| 9 | 239614 | SCREW | X-8L-509 | 4 | 5/16-18X.81 QUANTITY DEPENDENT ON DESIGN | |
| 10 | 14506 | HAND HOLE COVER | | 1 | #2 PUSH | |
| 10 | 14507 | HAND HOLE COVER | | 1 | #2 PULL | |
| 10 | 4305230 | HAND HOLE COVER | 11453 | 1 | #1 PULL | |
| 10 | 4305231 | HAND HOLE COVER | 1565 | 1 | #1 PUSH | |
| 11 | 4306583 | STUD | 5966 | 6 | | |
| 12 | X-10-1005 | WASHER | X 3 1000 ,X10 1000 ,X10 1004 | 6 | 1.23 X 6.60 | |
| 13 | X-1-1012 | HEX NUT | X-1-1005 | 6 | .625-18 | |
| 14 | 20550 | FRONT BEARING COVER | | 1 | 2" PULL | |
| 15 | X-8L-604 | CAPSCREW | | 6 | 3/8"-16X1-1/4" | |
| 16 | 20549 | FRONT BEARING COVER | | 1 | 2" PUSH | |
| 17 | 14311 | GASKET | | 1 | | K-2061 |
| 18 | 12815 | BUSHING | | 2 | FOR #2 HOUSING UPPER | A-3713,A-3723,A-4772,A-6064 |
| 18 | 12815 | BUSHING | | 4 | FOR #1 HOUSING UPPER | A-3713,A-3723,A- |

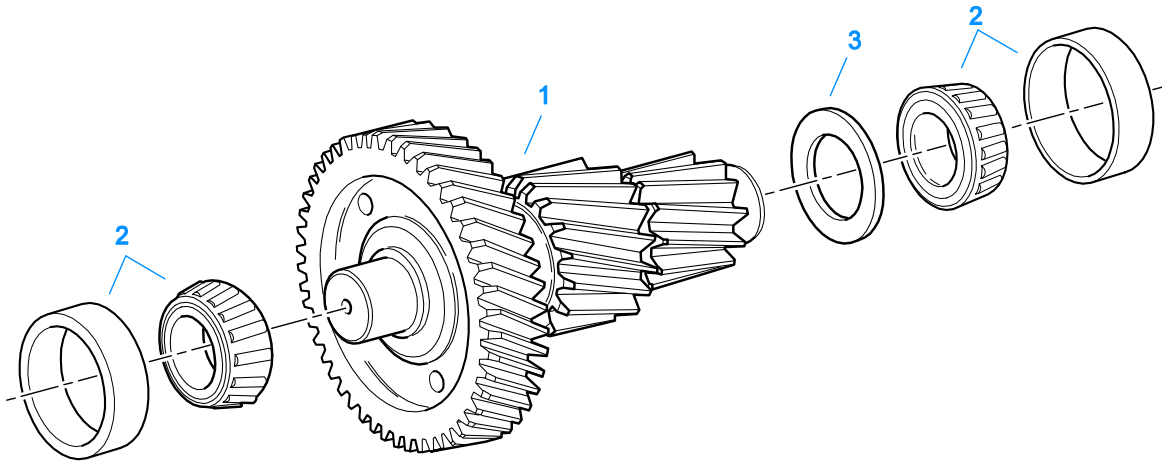
| Item | Current Part | Description | Replaced Part | Qty. | Notes | Kits/Assys Where Needed |
|------|--------------|----------------------------|------------------------------|------|---|-----------------------------|
| 18 | 8677 | BUSHING | | 1 | FOR #2 HOUSING UPPER | 4772,A-6064 |
| 19 | 8677 | BUSHING | | 2 | FOR #1 AND #2 HOUSING LOWER | A-3713,A-3723,A-4772,A-6064 |
| 20 | X-8C-830 | HEX HEAD SCREW/WASHER ASSY | X-8C-826 | 4 | .500-13 X 1.490, USE 2 PCS FOR IRON HOUSING, USE 4 PCS FOR ALUMINUM HOUSING | A-3713,A-3723,A-4772,A-6064 |
| 20 | X-8C-831 | HEX HEAD SCREW/WASHER ASSY | X-8C-822 | 2 | .500-13 X 3.460, FOR IRON HOUSING | |
| 21 | 4304023 | PLUG | 4303747 | 1 | 1-1/16" MAGNETIC, O-RING INCLUDED | S-2209 |
| 22 | X-8-686 | CAPSCREW | | 6 | 3/8"-16X3/4" | |
| 23 | 14575 | PTO COVER | 4302254 | 1 | | |
| 24 | 4305309 | GASKET | 1684 | 1 | | K-2061 |
| 27 | 14373 | MAGNET | | 3 | | S-2209 |
| 28 | 18128 | PIN | | 2 | | |
| 29 | X-1-1012 | HEX NUT | | 2 | .625-18 | |
| 30 | X-10-1005 | WASHER | X 3 1000 ,X10 1000 ,X10 1004 | 2 | 1.23 X 6.60 | |
| 31 | 14554 | STUD | 1632 ,6579 | 2 | 5/8" X 2-3/16" | |
| 36 | 23104 | PLUG | 1712 | 2 | | |
| 37 | X-8-1005 | CAPSCREW | | 2 | 5/8"-11X1-1/4" | |
| 38 | 20814 | SPACER | | 2 | | |
| 39 | X-12-802 | PIPE PLUG | | 1 | 1/2" | |



10475-4-92 CMB CYL

COMBINATION CYLINDER

| Item | Current Part | Description | Replaced Part | Qty. | Notes | Kits/Assys Where Needed |
|------|--------------|----------------|----------------|------|----------------|------------------------------------|
| 1 | A-5159 | YOKE ASSY | 21333 | 1 | RANGE | |
| 2 | A-5160 | YOKE ASSY | 21335 | 1 | REDUCTION | |
| 3 | 21330 | CYLINDER | | 1 | | K-2853 |
| 4 | 21332 | GASKET | | 1 | | K-2061,K-2077,K-2846,K-2853 |
| 5 | 14765 | -O- RING | | 1 | | K-2846,K-2853 |
| 6 | 14341 | PISTON | 23353 | 1 | | K-2853 |
| 7 | 14345 | -O- RING | | 1 | | K-2846,K-2853 |
| 8 | 14344 | -O- RING | | 1 | | K-2846,K-2853 |
| 9 | X-1-1010 | NUT | | 1 | 5/8"-18 | |
| 10 | 14644 | -O- RING | | 1 | | K-2846,K-2853 |
| 11 | K-2427 | PISTON KIT | 21337 ,4301320 | 1 | | |
| 12 | 20423 | -O- RING | | 1 | | K-2846,K-2853 |
| 13 | X-1-803 | NUT | | 1 | 1/2"-20 | |
| 14 | 21329 | CYLINDER COVER | | 1 | | |
| 15 | 4301348 | -O- RING | | 1 | | K-2427,K-2846,K-2853 |
| 16 | X-8L-631 | CAPSCREW | X 8 631 | 5 | 3/8"-16X3-1/2" | |
| 17 | 19974 | INSERT VALVE | 15512 4303616 | 1 | | K-2854,K-2855 |
| 18 | 13653 | -O- RING | | 3 | | |
| 19 | 15719 | PLUG | | 1 | | |
| 20 | 21331 | GASKET | | 1 | | K-2061,K-2077,K-2427,K-2846,K-2853 |

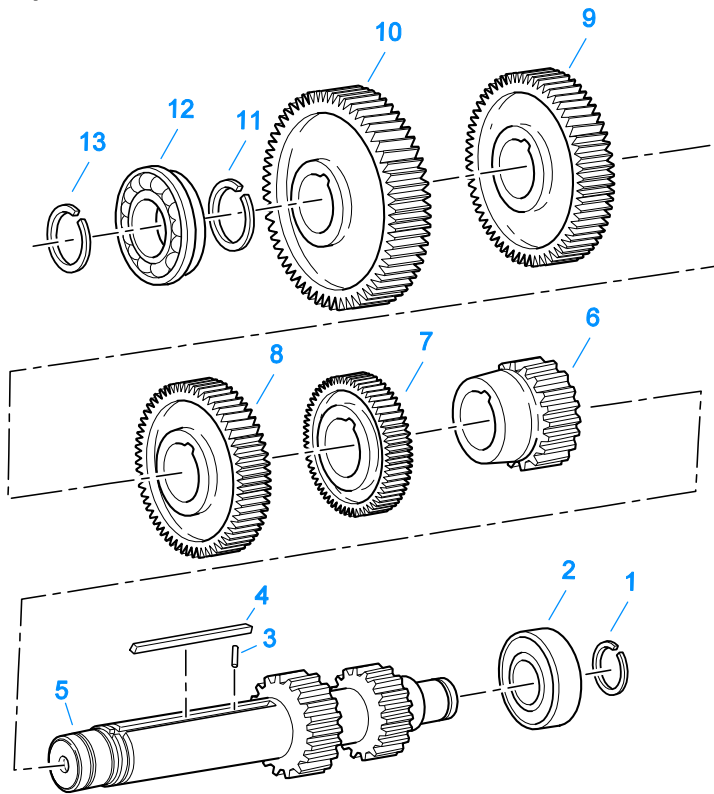


10445-12-93 AUXCS

COUNTERSHAFT & BRGS(AUX)

| Item | Current Part | Description | Replaced Part | Qty. | Notes | Kits/Assys Where Needed |
|------|--------------|--------------------------|---------------|------|---------------------------|-------------------------|
| 1 | A-6848 | WELDED COUNTERSHAFT ASSY | A - 5836 | 2 | D/G 4303938 - C/S 4303882 | |
| 2 | 4302074-BOX | BEARING | 21343,4302074 | 4 | | K-2854,K-2855 |
| 3 | 21342 | SPACER | | 2 | | |

Group: COUNTERSHAFT ASSY



10344-12-93 CS

COUNTERSHAFT ASSY

| Item | Current Part | Description | Replaced Part | Qty. | Notes | Kits/Assys Where Needed |
|------|--------------|---------------------|---------------|------|-------|-------------------------|
| 1 | 14317 | SNAP RING | | 2 | | K-2746,K-2854,K-2855 |
| 2 | 14366 | BEARING | | 2 | | K-2854,K-2855 |
| 3 | 62511 | ROLL PIN | | 2 | | S-1781 |
| 4 | 16664 | KEY | | 2 | | |
| 5 | 4300295 | NO LONGER AVAILABLE | | 2 | | |
| 6 | 4300293 | 1ST GEAR-CNTRSHFT | 19178 | 2 | | |
| 7 | 4300291 | 2ND GEAR-CNTRSHFT | | 2 | | |
| 8 | 4300289 | OD GEAR-CNTRSHFT | 19181 | 2 | | |
| 9 | 14307 | NO LONGER AVAILABLE | | 1 | | |
| 9 | 14886 | NO LONGER AVAILABLE | | 1 | | |
| 9 | 14905 | NO LONGER AVAILABLE | | 2 | | |
| 10 | 4300287 | DRIVE GEAR-CNTRSHFT | 20133 | 2 | | |
| 11 | 20085 | SNAP RING | | 2 | | K-2854,K-2855 |
| 12 | 81022 | BALL BEARING | 5566509 | 2 | | K-2854,K-2855 |
| 13 | 15253 | SNAP RING | | 2 | | K-2746,K-2854,K-2855 |

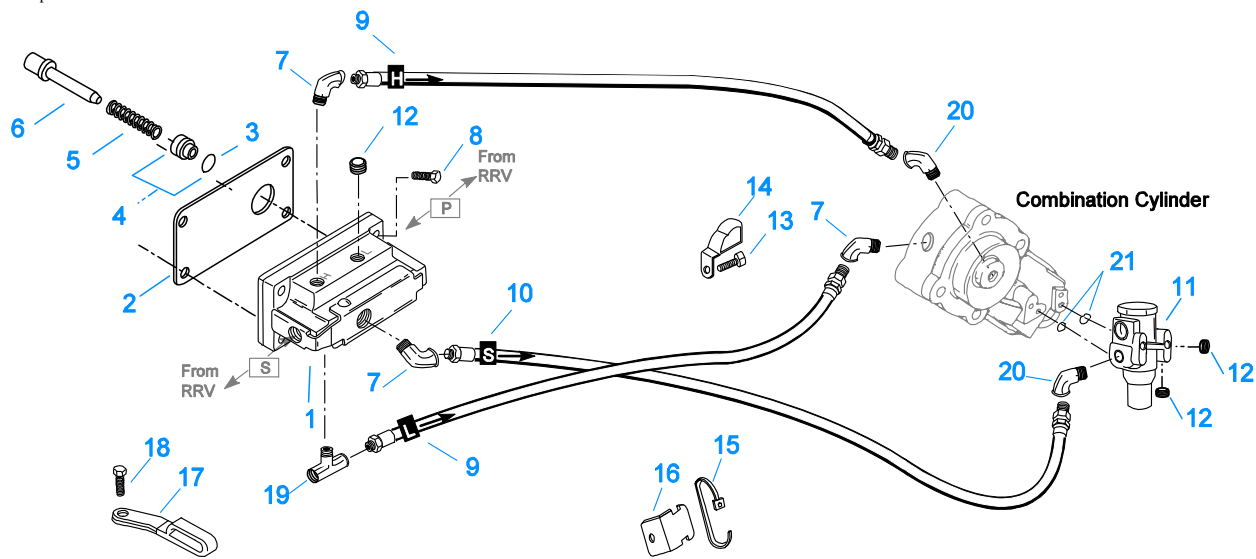
Group: FILTER REGULATOR



FILTER REGULATOR

| Item | Current Part | Description | Replaced Part | Qty. | Notes | Kits/Assys Where Needed |
|------|--------------|----------------------|---------------|------|----------------------|-------------------------|
| 1 | K-2170 | FILTER REG KIT | A - 5454 | 1 | | |
| 2 | K-1698 | -O- RING/ELEMENT KIT | | 1 | FOR FILTER REGULATOR | |
| 3 | X-8C-412 | CAPSCREW | X 8S 412 | 2 | 1/4"-20X2-1/4" | |

Group: H & C W/19470 VALVE

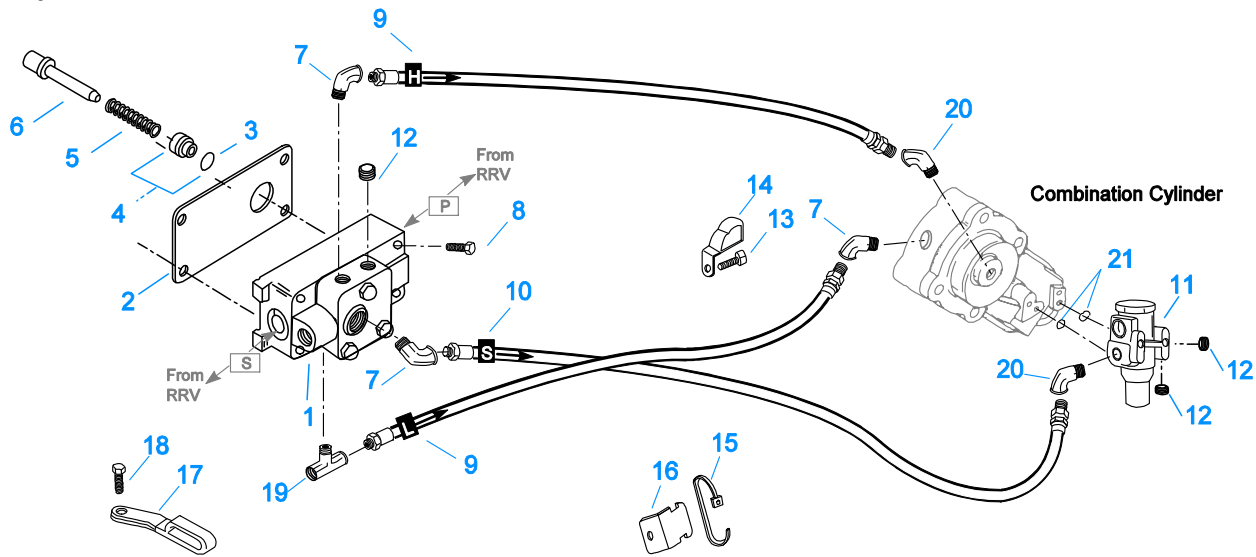


10111F-11-93 19470 HC

H & C W/19470 VALVE

| Item | Current Part | Description | Replaced Part | Qty. | Notes | Kits/Assys Where Needed |
|------|--------------|-----------------------|---------------------|------|------------------|-----------------------------|
| 1 | K-2424 | VALVE REPLACEMENT KIT | 19470 | 1 | | |
| 2 | 19481 | GASKET | | 1 | | K-2061,K-2424 |
| 3 | 19462 | -O- RING | 14033 | 1 | | K-1969 |
| 4 | K-1969 | SLEEVE KIT | 14362 ,19460 ,21446 | 1 | FOR SLAVE VALVES | |
| 5 | 21268 | SPRING | 19572 | 1 | | |
| 6 | 20490 | PIN | 19459 | 1 | | |
| 7 | 12845 | ELBOW | | 3 | 1/8" | |
| 8 | X-8C-401 | CAPSCREW | | 4 | 1/4"-20X1-1/8" | |
| 9 | 55509 | HOSE ASSY | | 2 | 34" | |
| 10 | 55528 | HOSE ASSY | | 1 | 36" | |
| 11 | K-2170 | FILTER REG KIT | A - 5454 | 1 | | |
| 12 | X-12-208 | PIPE PLUG | | 3 | 1/8" NPT | |
| 13 | X-8L-600 | CAPSCREW | | 1 | 3/8"-16X1" | |
| 14 | 21427 | HOSE CLAMP | | 1 | | |
| 15 | 21425 | STRAP | | 1 | | |
| 16 | 21426 | BRACKET | | 1 | | |
| 17 | 21428 | HOSE CLAMP | | 1 | | |
| 18 | X-8L-604 | CAPSCREW | | 1 | 3/8"-16X1-1/4" | |
| 19 | 21086 | BRANCH TEE | | 1 | 1/8" | |
| 20 | 12880 | ELBOW | | 2 | 1/8" | |
| 21 | 15114 | -O- RING | | 2 | | A-5000,K-1935,K-2170,K-2846 |

Group: H & C W/A-5000 VALVE



10110H-11-93 A-5000 HC

H & C W/A-5000 VALVE

| Item | Current Part | Description | Replaced Part | Qty. | Notes | Kits/Assys Where Needed |
|------|--------------|------------------|---------------------|------|------------------|-----------------------------|
| 1 | A-5000 | SLAVE VALVE ASSY | 20850 | 1 | | K-2424 |
| 2 | 19481 | GASKET | | 1 | | K-2061,K-2424 |
| 3 | 19462 | -O- RING | 14033 | 1 | | K-1969 |
| 4 | K-1969 | SLEEVE KIT | 14362 ,19460 ,21446 | 1 | FOR SLAVE VALVES | |
| 5 | 21268 | SPRING | 19572 | 1 | | |
| 6 | 20490 | PIN | 19459 | 1 | | |
| 7 | 12845 | ELBOW | | 3 | 1/8" | |
| 8 | X-8C-411 | CAPSCREW | | 4 | 1/4"-20X1-3/4" | |
| 9 | 55509 | HOSE ASSY | | 2 | 34" | |
| 10 | 55528 | HOSE ASSY | | 1 | 36" | |
| 11 | K-2170 | FILTER REG KIT | A - 5454 | 1 | | |
| 12 | X-12-208 | PIPE PLUG | | 3 | 1/8" NPT | |
| 13 | X-8L-600 | CAPSCREW | | 1 | 3/8"-16X1" | |
| 14 | 21427 | HOSE CLAMP | | 1 | | |
| 15 | 21425 | STRAP | | 1 | | |
| 16 | 21426 | BRACKET | | 1 | | |
| 17 | 21428 | HOSE CLAMP | | 1 | | |
| 18 | X-8L-604 | CAPSCREW | | 1 | 3/8"-16X1-1/4" | |
| 19 | 21086 | BRANCH TEE | | 1 | 1/8" | |
| 20 | 12880 | ELBOW | | 2 | 1/8" | |
| 21 | 15114 | -O- RING | | 2 | | A-5000,K-1935,K-2170,K-2846 |



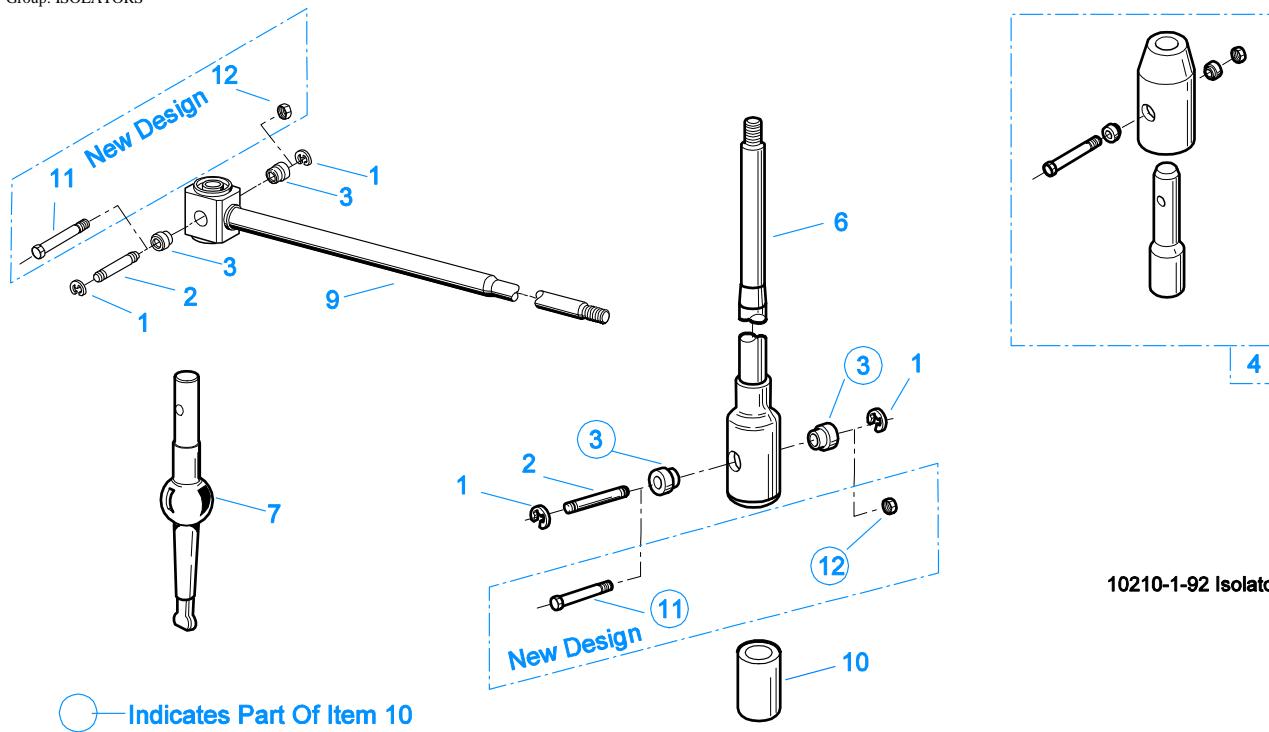
* For Shipping Only -- Do Not Replace

*

10370-1/92 IS

INPUT SHAFT & DRIVE GEAR

| Item | Current Part | Description | Replaced Part | Qty. | Notes | Kits/Assys Where Needed |
|------|--------------|------------------|---------------------|------|----------------------|-------------------------|
| 1 | 23559 | SHIPPING SEAL | | 1 | NOT SOLD FOR SERVICE | |
| 2 | 16980 | SNAP RING | | 1 | | K-2854 |
| 3 | 81504 | BEARING | | 1 | | K-2854,K-2855 |
| 4 | 16396 | SPACER | | 1 | | |
| 5 | 14289 | SNAP RING | | 1 | | K-2746,K-2854,K-2855 |
| 6 | 4300296 | MAIN DRIVE GEAR | | 1 | | |
| 8 | S-1661 | INPUT SHAFT ASSY | 20540 23569 ,691518 | 1 | 2" PULL | K-2854 |
| 9 | 16566 | BUSHING | | 1 | | K-2855,S-1661 |



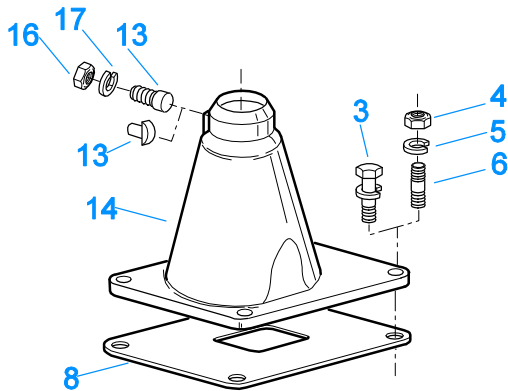
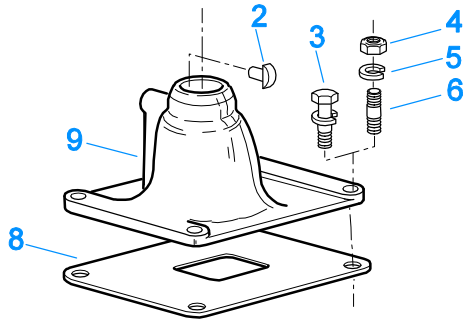
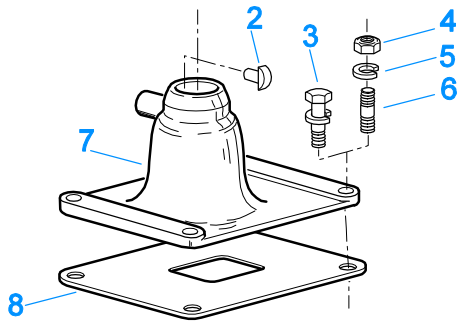
10210-1-92 Isolator

ISOLATORS

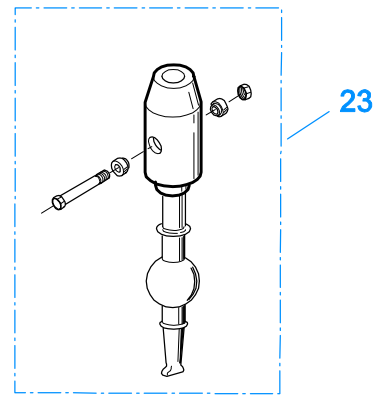
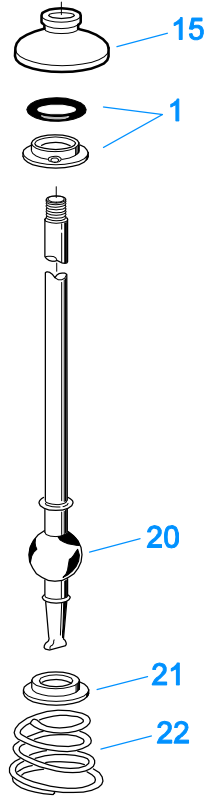
| Item | Current Part | Description | Replaced Part | Qty. | Notes | Kits/Assys Where Needed |
|------|--------------|----------------------|---------------|------|-----------------|---|
| 1 | 19124 | -E- RING | | 2 | | |
| 2 | K-3467 | PIN REPLACEMENT KIT | 21245 | 1 | | |
| 3 | 21246 | BUSHING | | 2 | | K-2003,K-2428,K-2429,K-2978,K-3399,S-2129,S-2130,S-2519 |
| 4 | S-1794 | ISOLATOR ASSY | | 1 | | |
| 6 | 21247 | LEVER | | 1 | STRAIGHT 18.67" | |
| 7 | 21235 | STUB LEVER | | 1 | LOW TOWER | K-2428,S-1677 |
| 7 | 21236 | STUB LEVER | | 1 | HIGH TOWER | K-2429,S-1579,S-2130 |
| 7 | 4301168 | STUB LEVER | | 1 | MID TOWER | K-2978 |
| 9 | 21767 | 90 DEG LEVER | | 1 | STRAIGHT 33" | |
| 10 | K-3399 | ISOLATOR BUSHING KIT | 21244 ,23311 | 1 | | |
| 11 | X-8-560 | SCREW | | 1 | | |
| 12 | X-9-503 | NUT | | 1 | | |

KITS & ASSEMBLIES

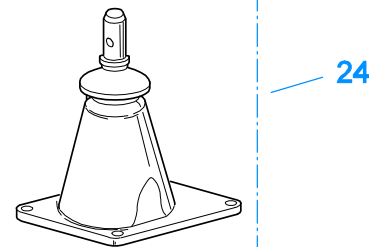
| Item | Current Part | Description | Replaced Part | Qty. | Notes | Kits/Assys Where Needed |
|--------|--------------|---------------------------------|---|------|------------------------------------|--|
| K-1476 | | SHIFT LEVER HSG | 4530 ,17163 ,18298 ,4304905 ,A - 4437 | 1 | LOW TOWER | |
| K-1698 | | -O- RING/ELEMENT KIT | | 1 | FOR FILTER REGULATOR | |
| K-1922 | | MASTER VALVE REPAIR KIT | | 1 | FOR A-5015 VALVE | |
| K-1935 | | REPAIR KIT-SLAVE VALVE | | 1 | FOR A-5000 VALVE | |
| K-1969 | | SLEEVE KIT | 14362 ,19460 ,21446 | 1 | FOR SLAVE VALVES | |
| K-2003 | | PIN & BUSHING KIT | | 1 | | |
| K-2055 | | MASTER VALVE REPAIR KIT | | 1 | FOR A-5315 VALVE | |
| K-2061 | | GASKET KIT | | 1 | | K-2854,K-2855 |
| K-2077 | | GASKET KIT | | 1 | FOR AUXILIARY SECTION | |
| K-2170 | | FILTER REG KIT | A - 5454 | 1 | | |
| K-2262 | | OIL SEAL W/SLINGER | 19109 20807 20808 | 1 | "FOR MECHANICAL COVER" | K-2854,K-2855 |
| K-2394 | | AIR SYSTEMS TOOL KIT | | 1 | | |
| K-2424 | | VALVE REPLACEMENT KIT | 19470 | 1 | | |
| K-2427 | | PISTON KIT | 4301320 | 1 | | |
| K-2428 | | LEVER REPLACEMENT KIT | | 1 | LOW TOWER | |
| K-2429 | | LEVER REPLACEMENT KIT | | 1 | HIGH TOWER | |
| K-2489 | | KEY & WASHER KIT | 21339 | 1 | CONTAINS 3-SIDED KEY | |
| K-2746 | | SMALL PARTS KIT | | 1 | | |
| K-2805 | | SHIM KIT | 21452 K - 2106 | 1 | | K-2854,K-2855,S- 1554,S-2214 K-2854,K-2855 |
| K-2846 | | -O- RING KIT | | 1 | | |
| K-2853 | | CYLINDER KIT | | 1 | | |
| K-2854 | | BASIC OVERHAUL KIT | | 1 | | |
| K-2855 | | BASIC REBUILD KIT | | 1 | | |
| K-2973 | | SHIFT LEVER HSG KIT | 17166 ,17167 ,4303050 ,4304910 ,K - 1630 K - 1941 | 1 | HIGH TOWER | |
| K-2977 | | SHIFT LEVER HSG KIT | 4301167 ,4304907 ,A - 6040 | 1 | MID TOWER | |
| K-2978 | | LEVER REPLACEMENT KIT | | 1 | MID TOWER | |
| K-3192 | | MASTER VALVE REPAIR KIT | | 1 | FOR A-6915 VALVE | |
| K-3194 | | MASTER VALVE REPAIR KIT | | 1 | FOR A-7315 VALVE | |
| K-3209 | | IDLER SHAFT REPL KIT | 16405 ,4302981 ,4305513 | 1 | | |
| K-3399 | | ISOLATOR BUSHING KIT | 21244 ,23311 | 1 | | |
| K-3467 | | PIN REPLACEMENT KIT | 21245 | 1 | | |
| K-3492 | | SYNCHRONIZER KIT | K - 2446 | 1 | | |
| K-3494 | | SYNCHRONIZER REPLACEMENT KIT | K - 2448 | 1 | SLIDING CLUTCH INCLUDED IN KIT | |
| K-3499 | | COUNTERSHAFT REPL KIT | A - 6841 | 1 | FOR 13707DLL | |
| K-3651 | | OIL SEAL TOOL KIT | | 1 | | |
| S-1516 | | CAP ASSY | 20851 ,20853 | 1 | | |
| S-1554 | | RANGE SECTION ASSY | | 1 | FOR DLL | |
| S-1661 | | INPUT SHAFT ASSY | 20540 23569 ,691518 | 1 | 2" PULL | K-2854 |
| S-1781 | | MAINSHAFT ASSY | 4300285 ,S - 1551 | 1 | | |
| S-1794 | | ISOLATOR ASSY | | 1 | | |
| S-2129 | | SHIFT LEVER HSG ASSY | | 1 | LOW TOWER | |
| S-2130 | | SHIFT LEVER HSG ASSY | S - 2053 | 1 | HIGH TOWER | |
| S-2164 | | REAR BRG COVER ASSY | 22733 ,4302026 ,S - 1553 ,S - 2367 | 1 | MECHANICAL AND MAGNETIC | |
| S-2209 | | CASE ASSY | 21317,S-1547 | 1 | | |
| S-2214 | | RANGE SECTION ASSY | | 1 | FOR MLL | |
| S-2519 | | SHIFT LEVER HSG ASSY | S - 2919 | 1 | MID TOWER | |
| S-2547 | | ROADRANGER VALVE ASSY | A - 5036 | 1 | RTO - W/SHIFT DIAGRAM MEDALLION | |



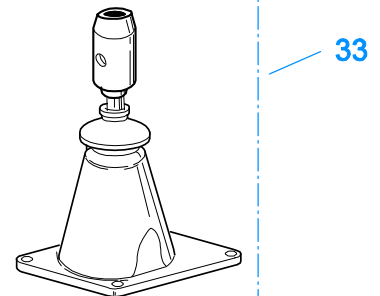
10207-9-95



K-2428 - Low
K-2978 - Mid
K-2429 - High



S-1677 - Low
S-1967 - Mid
S-1579 - High

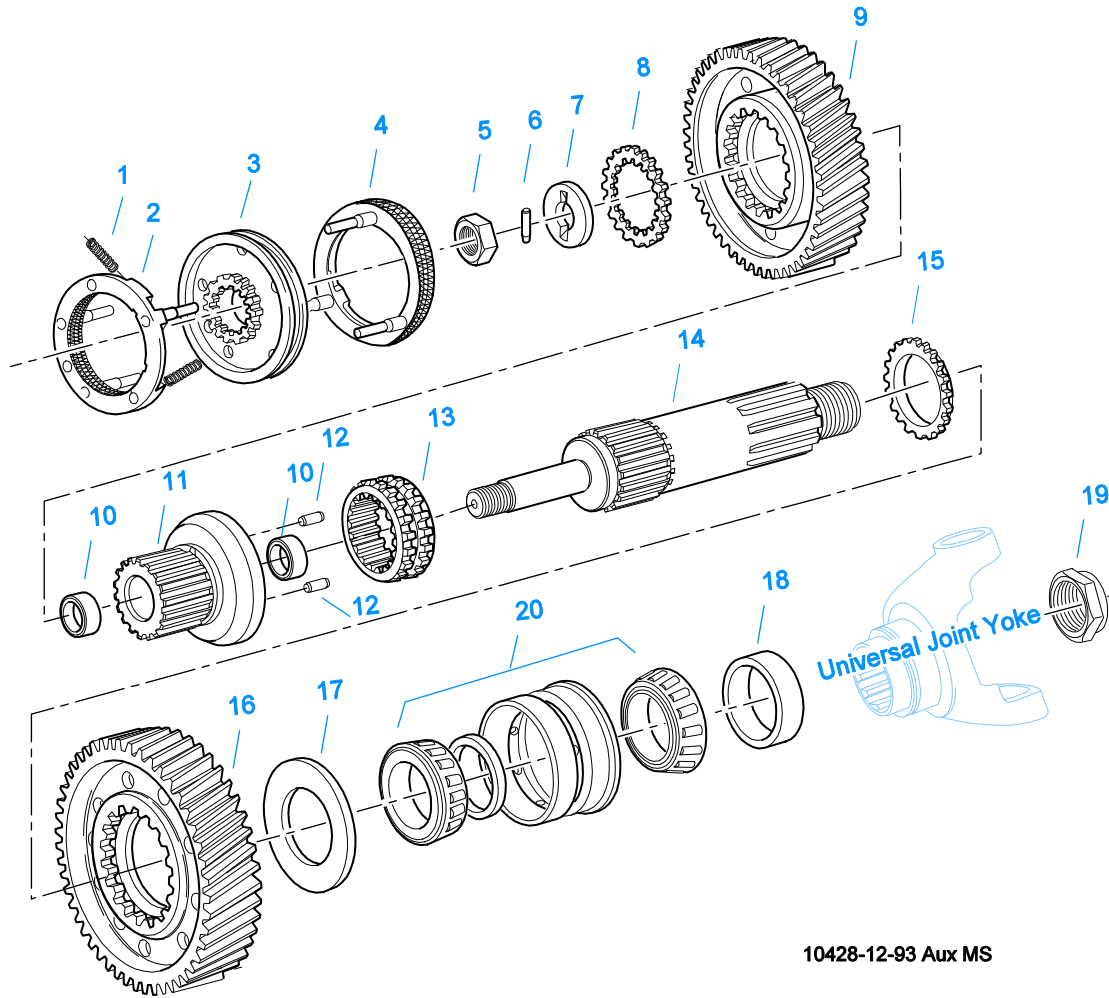


S-2129 - Low
S-2519 - Mid
S-2130 - High

LEVERS/HOUSINGS

| Item | Current Part | Description | Replaced Part | Qty. | Notes | Kits/Assys Where Needed |
|------|--------------|---------------------|--|------|-------------------|---|
| 1 | K-3376 | O-RING & WASHER KIT | 4301211 | 1 | | |
| 2 | 18299 | PIN | | 1 | | K-1476,K-2977,S-1677 |
| 3 | X-8C-604 | CAPSCREW | | 4 | 3/8"-16X1-1/4" | |
| 4 | X-1-600 | NUT | | 4 | 3/8"-24-N.F.PLAIN | |
| 5 | X-3-600 | LOCKWASHER | | 4 | 3/8" | |
| 6 | 11934 | STUD | 7467 | 4 | | |
| 7 | K-1476 | SHIFT LEVER HSG | 4530 ,17163 ,18298 ,4304905 ,A - 4437 | 1 | LOW TOWER | |
| 8 | 4305294 | GASKET | 4303431 | 1 | | K-1476,K-2061,K-2428,K-2429,K-2973,K-2977,K-2978,S- |

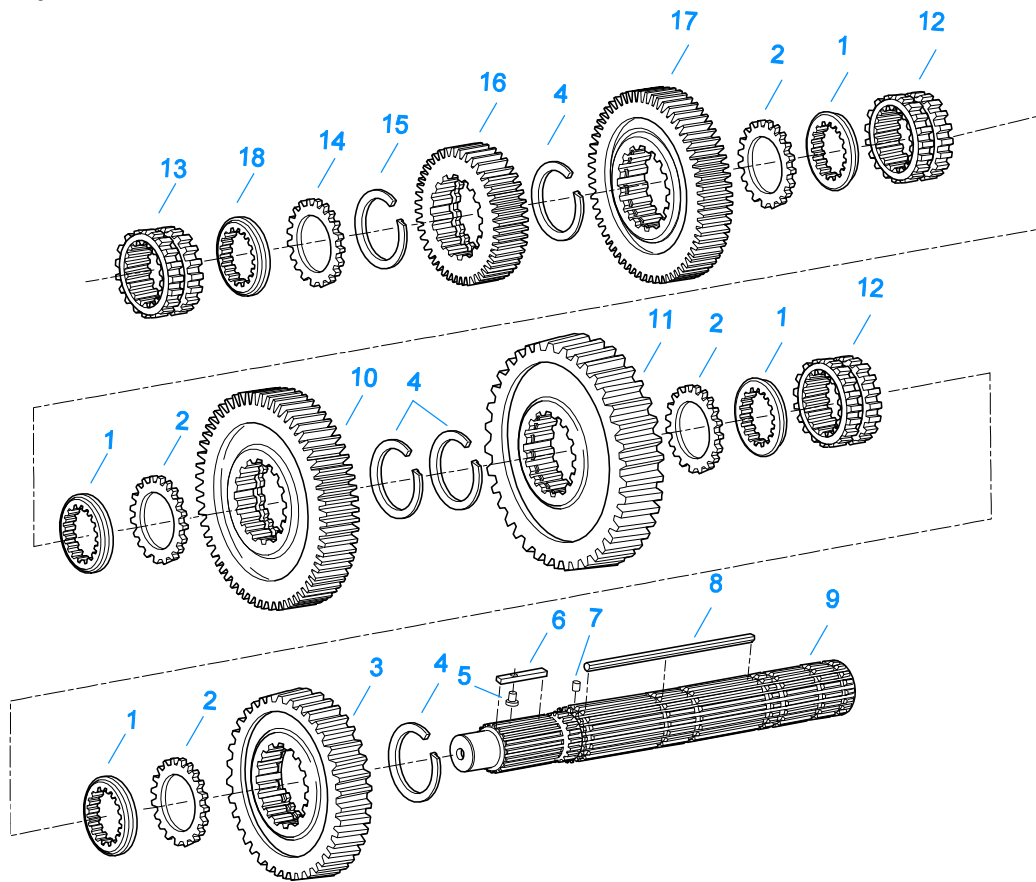
| Item | Current Part | Description | Replaced Part | Qty. | Notes | Kits/Assys Where Needed |
|------|--------------|-----------------------|---|------|--------------------------|---|
| 9 | K-2977 | SHIFT LEVER HSG KIT | 4301167 ,4304907 ,A - 6040 | 1 | MID TOWER | 1579,S-1677,S-1967,S-2129,S-2130,S-2519 |
| 13 | 4303030 | PIN | | 1 | | K-2973,S-1579,S-2130 |
| 13 | 6541 | PIN | | 1 | 3/8" - USED W/17167 ONLY | |
| 14 | K-2973 | SHIFT LEVER HSG KIT | 17166 ,17167 ,4303050 ,4304910 ,K - 1630 K - 1941 | 1 | HIGH TOWER | |
| 15 | 10427 | BOOT | | 1 | | K-1476,K-2973,K-2977,S-1579,S-1677,S-2130 |
| 16 | X-1-600 | NUT | | 1 | 3/8"-24-N.F.PLAIN | |
| 17 | X-3-600 | LOCKWASHER | | 1 | 3/8" | |
| 20 | 17600 | GEAR SHIFT LEVER | | 1 | STRAIGHT - LOW 21-1/2" | |
| 20 | 18482 | GEAR SHIFT LEVER | | 1 | STRAIGHT - HIGH 35" | |
| 21 | 2538 | RETAINER | | 1 | | K-1476,K-2973,K-2977,S-1579,S-1677,S-2130 |
| 22 | 2536 | SPRING | | 1 | | K-1476,K-2973,K-2977,S-1579,S-1677,S-2130 |
| 23 | K-2428 | LEVER REPLACEMENT KIT | | 1 | LOW TOWER | |
| 23 | K-2429 | LEVER REPLACEMENT KIT | | 1 | HIGH TOWER | |
| 23 | K-2978 | LEVER REPLACEMENT KIT | | 1 | MID TOWER | |
| 24 | S-1579 | SHIFT TOWER ASSY | | 1 | HIGH TOWER | |
| 24 | S-1677 | SHIFT TOWER ASSY | | 1 | LOW TOWER | |
| 24 | S-1967 | SHIFT TOWER ASSY | | 1 | MID TOWER | |
| 33 | S-2129 | SHIFT LEVER HSG ASSY | | 1 | LOW TOWER | |
| 33 | S-2130 | SHIFT LEVER HSG ASSY | S - 2053 | 1 | HIGH TOWER | |
| 33 | S-2519 | SHIFT LEVER HSG ASSY | S - 2919 | 1 | MID TOWER | |



10428-12-93 Aux MS

MAINSHAFT & SYNCHRO(AUX)

| Item | Current Part | Description | Replaced Part | Qty. | Notes | Kits/Assys Where Needed |
|------|--------------|-----------------------|--------------------------|------|----------|------------------------------------|
| 1 | 14897 | SPRING | | 3 | | K-2746,K-2854,K-2855,K-3492,K-3494 |
| 2 | A-7331 | SYNCHRONIZER ASSY | 4304396 4304397 A - 5917 | 1 | HI RANGE | K-3492,K-3494 |
| 3 | 20323 | SLIDING CLUTCH | | 1 | | K-3494 |
| 4 | A-7254 | SYNCHRONIZER ASSEMBLY | A - 4937 A - 5876 | 1 | LO RANGE | K-3492,K-3494 |
| 5 | 21365 | NUT | | 1 | | K-2746 |
| 6 | 17332 | DOWEL PIN | | 1 | | K-2746 |
| 7 | 21347 | WASHER | | 1 | | K-2746 |
| 8 | 21350 | WASHER | | 1 | | K-2746 |
| 9 | 21319 | REDUCTION GEAR | | 1 | | |
| 10 | 21352 | BUSHING | | 2 | | A-5156,K-2854,K-2855 |
| 11 | A-5156 | MAINSHAFT ASSY | 21351 | 1 | | |
| 12 | 21652 | PIN | | 2 | | K-2746 |
| 13 | 21360 | SLIDING CLUTCH | | 1 | | |
| 14 | 21325 | MAINSHAFT | | 1 | | |
| 15 | 21354 | WASHER | | 1 | | K-2746 |
| 16 | 4300677 | DEEP REDUCTION GEAR | | 1 | | |
| 17 | 21358 | WASHER | | 1 | | K-2746 |
| 18 | 20191 | ROTOR | 16295 | 1 | | |
| 19 | 22254 | NUT | | 1 | | S-1554,S-2214 |
| 20 | 21356-BOX | BEARING | 21356 | 1 | | K-2854,K-2855 |



10325-12-93 MS

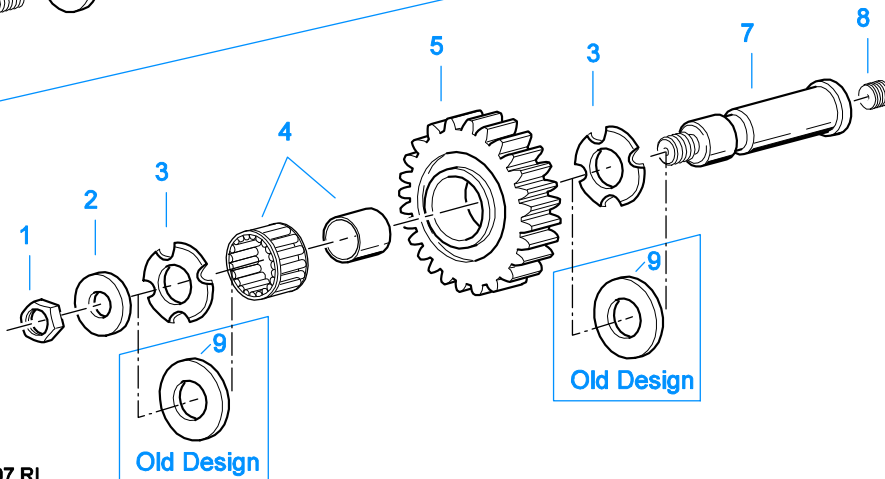
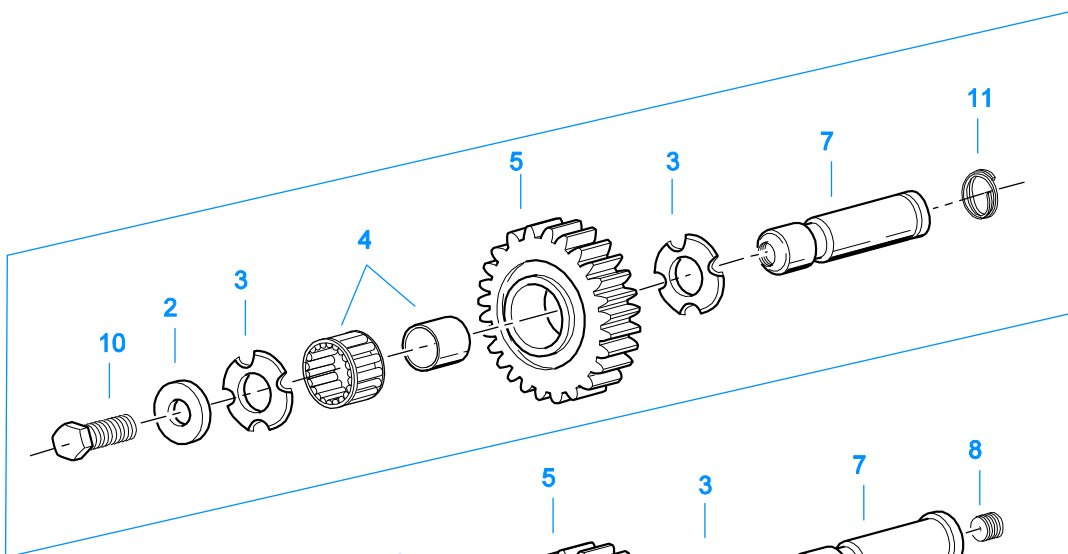
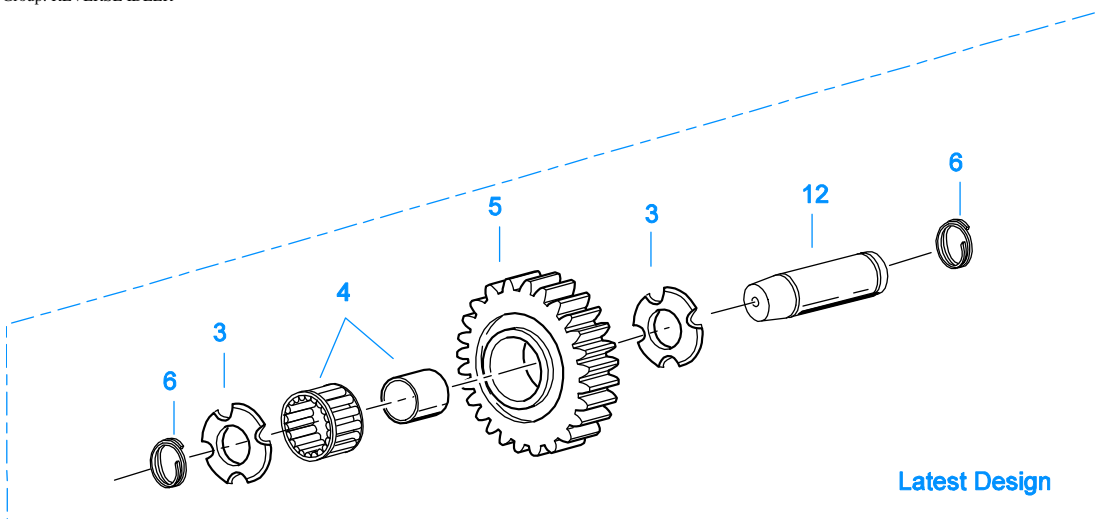
MAINSHAFT ASSY

| Item | Current Part | Description | Replaced Part | Qty. | Notes | Kits/Assys Where Needed |
|------|--------------|-------------------------|---------------|------|---|-------------------------|
| 1 | 14711 | WASHER .248-.250 WHITE | 18701 | 4 | | |
| 1 | 14712 | WASHER .253-.255 GREEN | 18702 | 4 | | |
| 1 | 14713 | WASHER .258-.260 ORANGE | 18703 | 4 | | |
| 1 | 14714 | WASHER .263-.265 PURPLE | 18704 | 4 | | |
| 1 | 14715 | WASHER .268-.270 YELLOW | 18705 | 4 | | |
| 1 | 14716 | WASHER .273-.275 BLACK | 18706 | 4 | | |
| 1 | 4300382 | WASHER .249-WHITE | | 4 | OPTIONAL 4300382-4300387 OR 4300830 USE ANY 4 WASHERS. USE WITH 3-SIDED KEY | K-2489,K-2746 |
| 1 | 4300383 | WASHER .254-GREEN | | 4 | OPTIONAL 4300382-4300387 OR 4300830 USE ANY 4 WASHERS. USE WITH 3-SIDED KEY | K-2489,K-2746 |
| 1 | 4300384 | WASHER .259-ORANGE | | 4 | OPTIONAL 4300382-4300387 OR 4300830 USE ANY 4 WASHERS. USE WITH 3-SIDED KEY | K-2489,K-2746 |
| 1 | 4300385 | WASHER .264-PURPLE | | 4 | OPTIONAL 4300382-4300387 OR 4300830 USE ANY 4 WASHERS. USE WITH 3-SIDED KEY | |
| 1 | 4300386 | WASHER .269-YELLOW | | 4 | OPTIONAL 4300382-4300387 OR 4300830 USE ANY 4 WASHERS. USE WITH 3-SIDED KEY | |
| 1 | 4300387 | WASHER .274-BLACK | | 4 | OPTIONAL 4300382-4300387 OR 4300830 USE ANY 4 WASHERS. USE WITH 3-SIDED KEY | |
| 1 | 4300830 | WASHER .244-BLUE | | 4 | OPTIONAL 4300382-4300387 OR 4300830 USE ANY 4 WASHERS. USE WITH 3-SIDED KEY | K-2489,K-2746 |

| Item | Current Part | Description | Replaced Part | Qty. | Notes | Kits/Assys Where Needed |
|------|--------------|----------------------------|-------------------|------|---------------------------|-------------------------|
| | | | | | WITH 3-SIDED KEY | |
| 2 | 14749 | SPACER | | 4 | | K-2746 |
| 3 | 23213 | REVERSE GEAR- MAINSHAFT | | 1 | | |
| 4 | 14750 | SNAP RING | | 4 | | K-2746 |
| 5 | 14832 | PIN | | 1 | | A-3456 |
| 6 | A-3456 | KEY & PIN ASSY | 14884 | 1 | | |
| 7 | 62511 | ROLL PIN | | 1 | | S-1781 |
| 8 | 4300976 | 3-SIDED KEY | | 1 | MUST USE MATCHING WASHERS | K-2489,K-2746 |
| 8 | K-2489 | KEY & WASHER KIT | 21339 | 1 | CONTAINS 3-SIDED KEY | |
| 9 | S-1781 | MAINSHAFT ASSY | 4300285 ,S - 1551 | 1 | | |
| 10 | 4300292 | 1ST GEAR-MAINSHAFT | 19177 | 1 | | |
| 11 | 4300294 | LO GEAR-MAINSHAFT | 19082 | 1 | | |
| 12 | 14709 | SLIDING CLUTCH | | 2 | | |
| 13 | 23139 | SLIDING CLUTCH | | 1 | | K-2854 |
| 14 | 14273 | SPACER | | 1 | | K-2746 |
| 15 | 14289 | SNAP RING | | 1 | | K-2746,K-2854,K-2855 |
| 16 | 4300297 | OD GEAR-MAINSHAFT | 23140 | 1 | | |
| 17 | 4300290 | 2ND GEAR-MAINSHAFT | 19612 | 1 | | |
| 18 | 14274 | WASHER .248-.250 WHITE | 18717 | 1 | | K-2746 |
| 18 | 14276 | WASHER .258-.260 ORANGE | 18719 | 1 | | |
| 18 | 14277 | WASHER .263-.265 PURPLE | 18720 | 1 | | |
| 18 | 14278 | WASHER .268-.270 YELLOW | 18721 | 1 | | |
| 18 | 14279 | WASHER .273-.275 BLACK | 18722 | 1 | | |
| 18 | 4300512 | WASHER .253-.255 GREEN | 14275 ,18718 | 1 | | |

MISCELLANEOUS

| Item | Current Part | Description | Replaced Part | Qty. | Notes | Kits/Assys Where Needed |
|-------|--------------|---------------------|---------------|------|----------------------------------|------------------------------------|
| 20464 | | SHIFT DIAGRAM LABEL | | 1 | | |
| 71203 | | SILICONE LUBE | | 1 | 8 OZ (236.59 CC)-FLEET SIZE | |
| 71204 | | ADHESIVE SEALANT | | 1 | 0.5 CC (SINGLE APPLICATION SIZE) | |
| 71205 | | SEALANT | | 1 | 2 CC (SINGLE APPLICATION SIZE) | K-2854 |
| 71206 | | SILICONE LUBE | | 1 | 4 CC (SINGLE APPLICATION SIZE) | K-2428,K-2429,K-2846,K-2853,K-2978 |

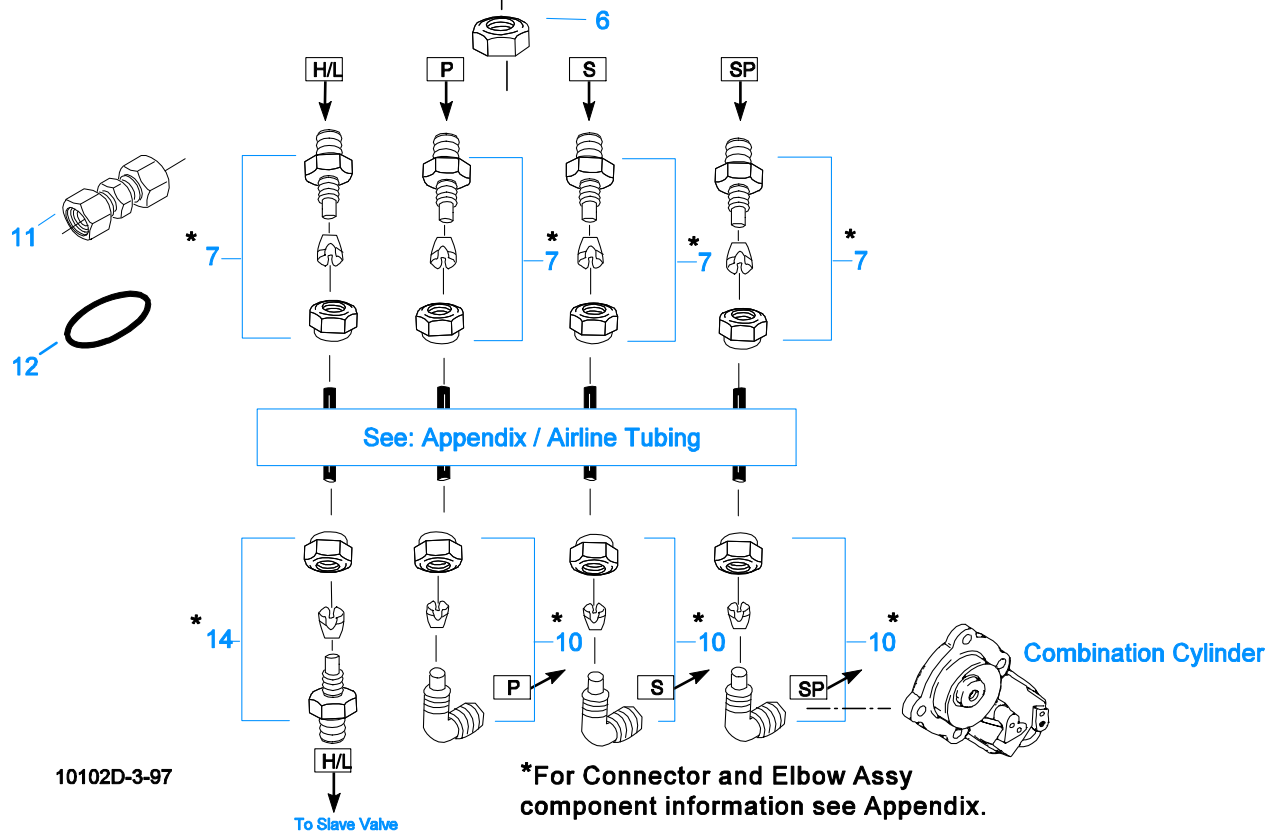
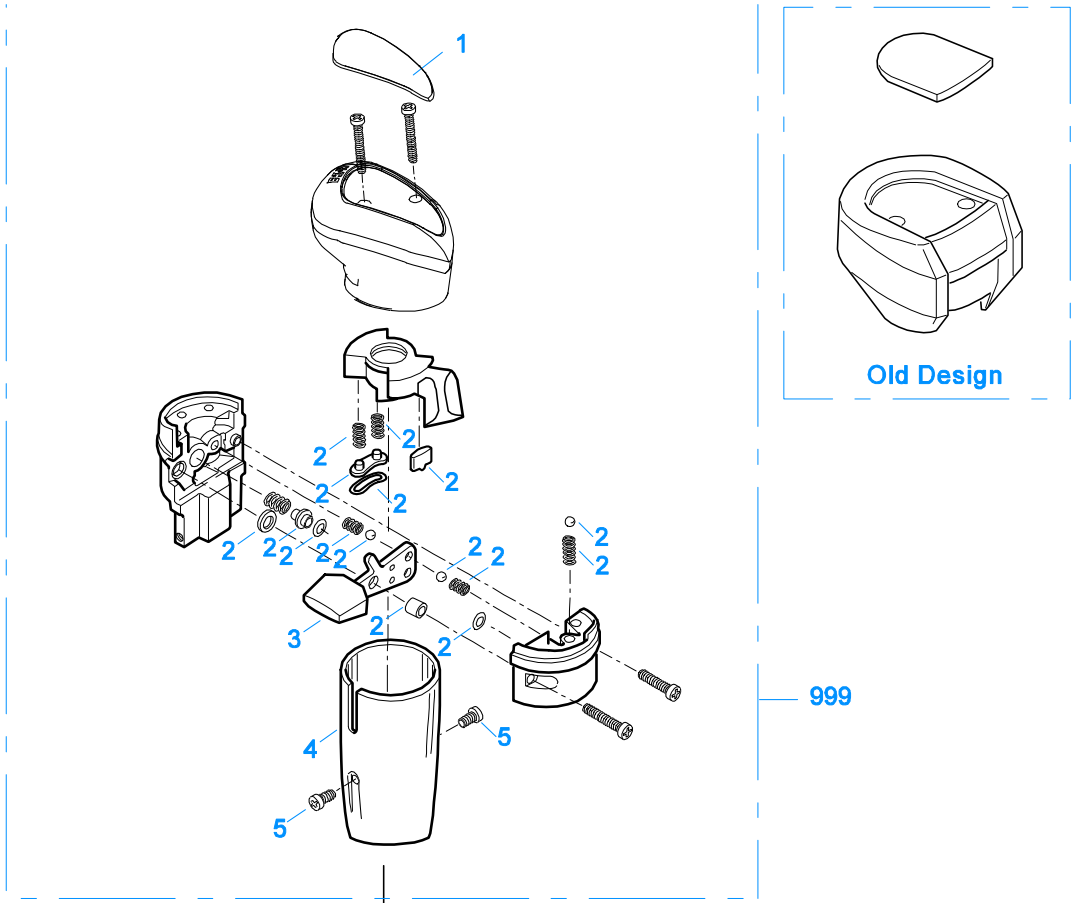


11383-5-97 RI

REVERSE IDLER

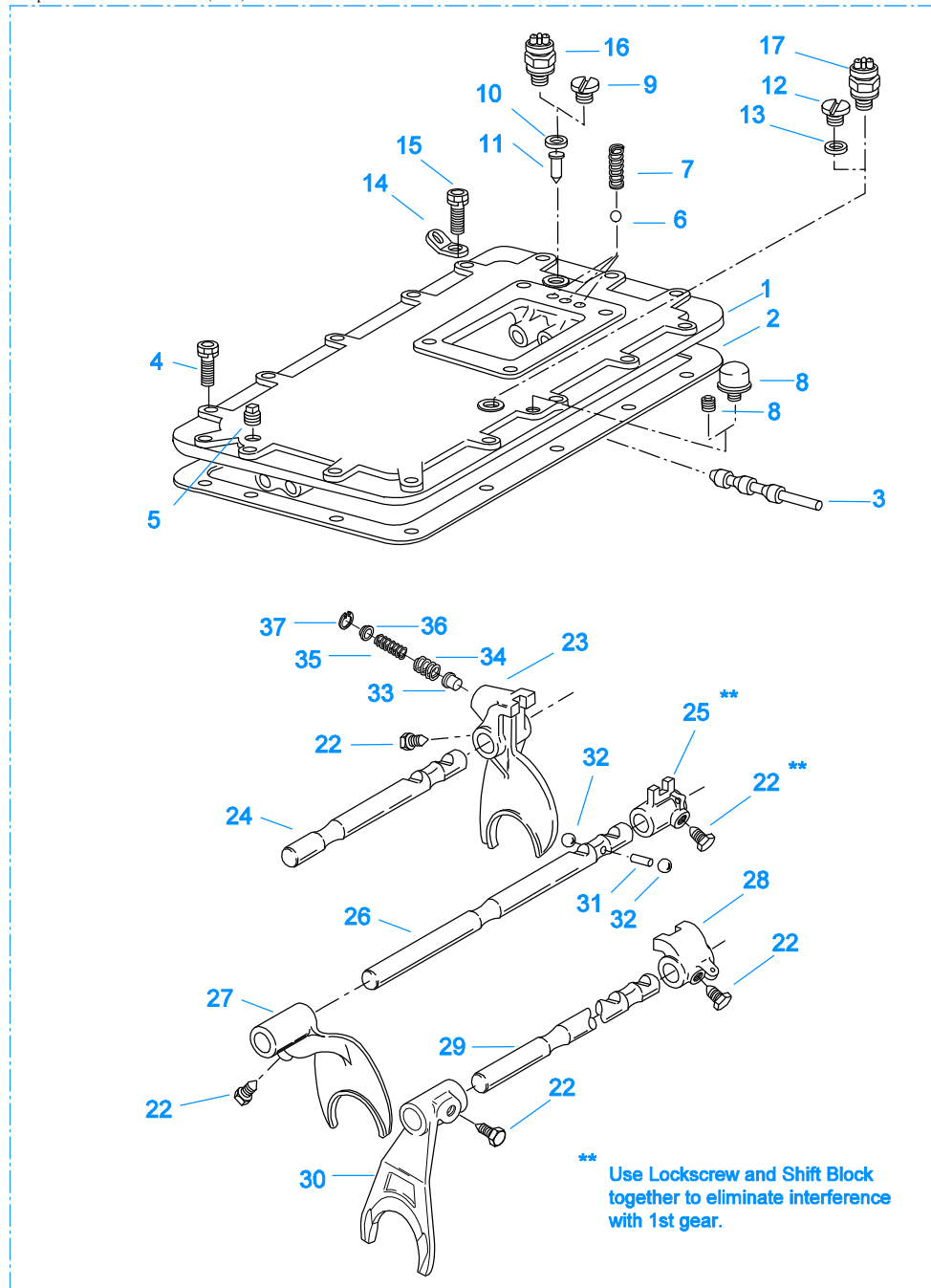
| Item | Current Part | Description | Replaced Part | Qty. | Notes | Kits/Assys Where Needed |
|------|--------------|----------------------|----------------------------|------|---------|-------------------------|
| 1 | X-1-1008 | NUT | | 2 | 5/8"-18 | |
| 2 | 14283 | WASHER | | 2 | | |
| 3 | 4302982 | WASHER | 14282 | 4 | | K-3209,S-2209 |
| 4 | 14287 | BEARING | 4305020 | 2 | | K-2854,K-2855 |
| 5 | 23214 | REVERSE IDLER GEAR | | 2 | | |
| 6 | 4303336 | RETAINING RING | | 4 | | K-3209 |
| 7 | K-3209 | IDLER SHAFT REPL KIT | 16405 ,4302981 ,4305513 | 2 | | |
| 8 | 5202 | PLUG | | 2 | | |

| Item | Current Part | Description | Replaced Part | Qty. | Notes | Kits/Assys Where Needed |
|------|--------------|---------------------|---------------|------|---------------|-------------------------|
| 9 | 14282 | NO LONGER AVAILABLE | | 4 | | |
| 10 | X-7-1008 | CAPSCREW | | 2 | 5/8"-18X1-1/4 | |
| 11 | 4303336 | RETAINING RING | | 2 | | K-3209 |
| 12 | 4305513 | IDLER SHAFT | | 2 | | K-3209 |



ROADRANGER VALVE

| Item | Current Part | Description | Replaced Part | Qty. | Notes | Kits/Assys Where Needed |
|------|--------------|-------------------------|------------------|------|---|-------------------------|
| 1 | 20107 | MEDALLION, LOGO | | 1 | (OLD DESIGN) FULLER LOGO ONLY | |
| 1 | 21691 | LOGO MEDALLION | 4302349, 4300370 | 1 | (OLD DESGIN) FULLER LOGO (LEFT OF DRIVER) | |
| 1 | 5586100 | MEDALLION, LOGO | | 1 | (LATEST DESIGN) FULLER LOGO ONLY | A-6915,A-7315 |
| 1 | 5586103 | SHIFT DIAGRAM MEDALLION | | 1 | RTO | S-2547 |
| 2 | K-1922 | MASTER VALVE REPAIR KIT | | 1 | FOR A-5015 VALVE | |
| 2 | K-2055 | MASTER VALVE REPAIR KIT | | 1 | FOR A-5315 VALVE | |
| 2 | K-3192 | MASTER VALVE REPAIR KIT | | 1 | FOR A-6915 VALVE | |
| 2 | K-3194 | MASTER VALVE REPAIR KIT | | 1 | FOR A-7315 VALVE | |
| 3 | 20496 | LEVER | | 1 | | A-6915,A-7315 |
| 4 | 20112 | COVER | | 1 | | A-6915,A-7315 |
| 5 | X-8-213 | SCREW | X 8 202 | 2 | 8-32X3/8" | |
| 6 | X-9-802 | NUT | | 1 | 1/2"-13 | |
| 7 | 84001 | CONNECTOR ASSY | 82501 | 4 | 1/8" TUBE-1/16" NPTF | |
| 7 | 84003 | CONNECTOR ASSY | 82503 | 4 | 5/32" TUBE-1/16" NPTF | |
| 7 | 84005 | CONNECTOR ASSY | | 4 | "PUSH-TO-CONNECT" 5/32" TUBE-1/16" NPTF | |
| 10 | 85001 | ELBOW ASSY | 84501 | 3 | 5/32" TUBE-1/8" NPTF | |
| 10 | 85002 | ELBOW ASSY | 84502 | 3 | 1/8" TUBE-1/8" NPTF | |
| 10 | 85003 | ELBOW ASSY | | 3 | "PUSH-TO-CONNECT" 5/32" TUBE-1/8" NPTF | K-2854 |
| 11 | 84101 | UNION ASSY | | 1 | 1/8" TUBING | |
| 11 | 84102 | UNION ASSY | | 1 | 5/32" TUBING | |
| 11 | 84103 | UNION ASSY | | 1 | "PUSH-TO-CONNECT" 5/32" TUBING | |
| 12 | 13571 | -O- RING CLAMP | | 2 | | |
| 14 | 84002 | CONNECTOR ASSY | 82502 | 1 | 1/8" TUBE-1/8" NPTF | |
| 14 | 84004 | CONNECTOR ASSY | 82504 | 1 | 5/32" TUBE-1/8" NPTF | |
| 14 | 84006 | CONNECTOR ASSY | | 1 | "PUSH-TO-CONNECT" 5/32" TUBE-1/8" NPTF | K-2854 |
| 999 | A-6915 | ROADRANGER VALVE ASSY | A - 5015 | 1 | STANDARD-W/LOGO | |
| 999 | A-7315 | ROADRANGER VALVE ASSY | A - 5315 | 1 | (LEFT OF DRIVER)-W/LOGO | |
| 999 | S-2547 | ROADRANGER VALVE ASSY | A - 5036 | 1 | RTO - W/SHIFT DIAGRAM MEDALLION | |



999

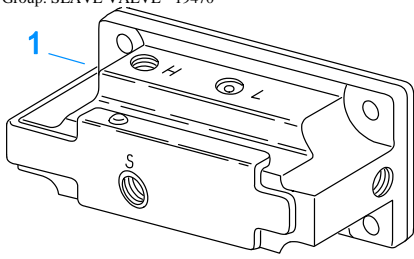
10224-12-93 Standard

SHIFT BAR HOUSING (STD)

| Item | Current Part | Description | Replaced Part | Qty. | Notes | Kits/Assys Where Needed |
|------|--------------|---------------------|---------------|------|----------------|-------------------------|
| 1 | S-2050 | NO LONGER AVAILABLE | 22957 | 1 | HOUSING ONLY | |
| 2 | 4302676 | GASKET | 14918 | 1 | | K-2061 |
| 3 | 20332 | AIR VALVE SHAFT | | 1 | | |
| 4 | X-8L-604 | CAPSCREW | | 16 | 3/8"-16X1-1/4" | |
| 5 | X-12-603 | PIPE PLUG | X12 602 | 1 | 3/8" NPT | |
| 6 | X-14-800 | STEEL BALL | | 3 | 1/2" | |
| 7 | 15918 | SPRING | | 3 | | K-2746,K-2854 |
| 8 | 4304602 | BREATHER | 23605 | 1 | 1/4" NPT | |
| 8 | X-12-404 | PIPE PLUG | | 1 | 1/4" NPT | |
| 9 | 4303656 | PLUG | 15917 | 1 | | |
| 10 | 15900 | GASKET | | 1 | | |

| Item | Current Part | Description | Replaced Part | Qty. | Notes | Kits/Assys Where Needed |
|------|--------------|----------------------|---------------|------|-------------------------|-------------------------|
| 11 | 15899 | PIN | | 1 | | |
| 12 | 4303655 | PLUG | 17178 | 1 | | |
| 13 | 17179 | GASKET | | 1 | | |
| 14 | 20815 | LIFTING EYE | | 2 | | S-1554,S-2214 |
| 15 | X-8L-602 | CAPSCREW | | 2 | 3/8"-16X1-1/2" | |
| 16 | 22940 | REVERSE LIGHT SWITCH | | 1 | SWITCH NORMALLY OPEN | |
| 17 | 22941 | NEUTRAL LIGHT SWITCH | | 1 | SWITCH NORMALLY CLOSED | |
| 22 | 15776 | LOCKSCREW | | 1 | USE W/20014 SHIFT BLOCK | |
| 22 | 3220 | LOCKSCREW | | 4 | | |
| 23 | 19809 | SHIFT YOKE | | 1 | LO/REVERSE | |
| 24 | 19986 | YOKE BAR | | 1 | LO/REVERSE | |
| 25 | 20014 | NO LONGER AVAILABLE | | 1 | 1ST/2ND | |
| 26 | 19987 | YOKE BAR | | 1 | 1ST/2ND | |
| 27 | 16135 | SHIFT YOKE | | 1 | 1ST/2ND | |
| 28 | 19078 | SHIFT BLOCK | | 1 | 3RD/OD | |
| 29 | 19988 | NO LONGER AVAILABLE | | 1 | 3RD/OD | |
| 30 | 4300536 | SHIFT YOKE | 19878 | 1 | 3RD/OD | |
| 31 | 1634 | INTERLOCK PIN | | 1 | | K-2746 |
| 32 | X-14-1200 | STEEL BALL | | 2 | 3/4" | |
| 33 | 19790 | PLUNGER | | 1 | | |
| 34 | 19791 | SPRING | | 1 | | |
| 35 | 19838 | SPRING | | 1 | | |
| 36 | 19792 | RETAINER | | 1 | | |
| 37 | 19793 | SNAP RING | | 1 | | A-5000,K-1935 |
| 999 | S-2211 | NO LONGER AVAILABLE | 22957 | 1 | COMPLETE - STANDARD | |

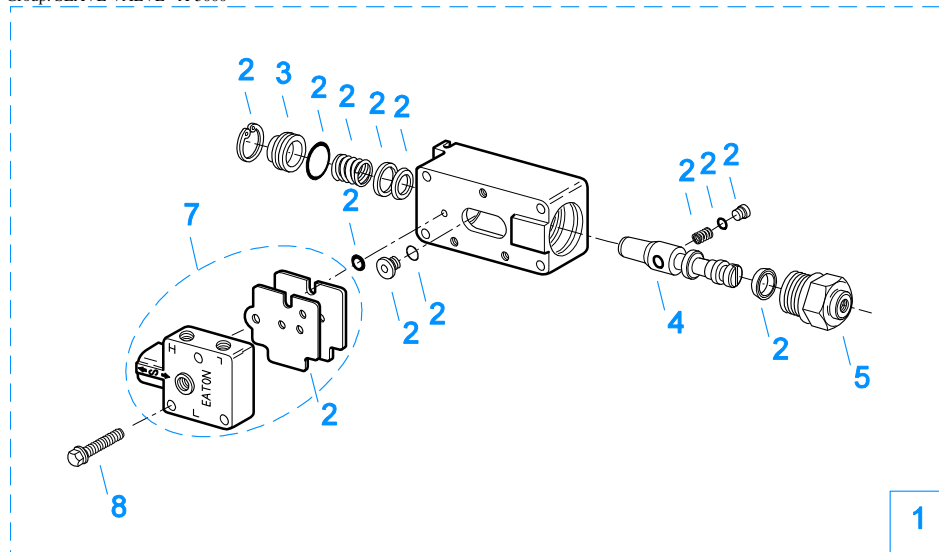
Group: SLAVE VALVE - 19470



10121-1/92 19470 SV

SLAVE VALVE - 19470

| Item | Current Part | Description | Replaced Part | Qty. | Notes | Kits/Assys Where Needed |
|------|--------------|-----------------------|---------------|------|-------|-------------------------|
| 1 | K-2424 | VALVE REPLACEMENT KIT | 19470 | 1 | | |



10120-10-97 A-5000 SV

2 Repair Kit

SLAVE VALVE - A-5000

| Item | Current Part | Description | Replaced Part | Qty. | Notes | Kits/Assys Where Needed |
|------|--------------|------------------------|---------------|------|------------------|-------------------------|
| 1 | A-5000 | SLAVE VALVE ASSY | 20850 | 1 | | K-2424 |
| 2 | K-1935 | REPAIR KIT-SLAVE VALVE | | 1 | FOR A-5000 VALVE | |
| 3 | 20855 | PLUG | | 1 | | A-5000 |
| 4 | 20854 | PISTON | | 1 | | A-5000 |
| 5 | 20849 | CAP | 15131 | 1 | | A-5000 |
| 7 | S-1516 | CAP ASSY | 20851 ,20853 | 1 | | |
| 8 | X-8C-413 | CAPSCREW | | 3 | 1/4"-20X1-1/2" | |

