



Roadranger®

More time on the road®

Illustrated Parts List

RTO-9109A-AT
July 2011

Contents

How To Use The Illustrated Parts List	3
AIR SYS-POWER SYNCHRO.....	4
AIR SYS-RANGE	5
AUXILIARY DRIVE GEAR.....	6
BAR HOUSING ASSY	8
CASE (AUX)	9
CASE (FRONT).....	11
CONVERTER HOUSING ASSY	13
COUNTERSHAFT & BRGS(AUX).....	15
COUNTERSHAFT ASSY	16
ECU CONTROLS.....	17
AUTO SHIFTER ASSY	17
ECU CONTROLS.....	19
BAR HOUSING COVER ASSY.....	19
FILTER REGULATOR.....	20
HARNESSES & HARDWARE	21
HARNESSES ASSY-TORQUE CONV	21
HARNESSES & HARDWARE	22
HARNESSES ASY-AUTO SHIFTER.....	22
INPUT SHAFT & DRIVE GEAR	23
KITS & ASSEMBLIES	24
MAINSHAFT & SYNCHRO(AUX).....	25
MAINSHAFT ASSY.....	26
MISCELLANEOUS	28
OIL LINE RETURN.....	29
OIL LINE RETURN/CURRENT	29
OIL LINE RETURN.....	30
OIL LINE RETURN/NON-CURR.....	30
OIL LINES-POWER SYNCHRO	31
POWER SYNCHRONIZER.....	32
RANGE CYLINDER.....	33
REVERSE IDLER.....	34
STATOR SUPPORT ASSY	35
TORQUE CONVERTER ASSY.....	36

How To Use The Illustrated Parts List

The information contained in this document is subject to frequent updates. Therefore, for the latest information available, please visit the interactive Electronic Parts Catalog at www.roadranger.com/epc.

Model Designation or Nomenclature

- For information regarding Model Designation and Nomenclature, visit www.roadranger.com.

Kits and Assemblies (K/A's)

- Kits and Assemblies contain groups of individual or assembled parts developed for optimal replacement or repair of a service problem.
- Kits and Assemblies are shown with applicable parts groupings in the parts listings.

Identifying Kits and Assemblies

A- Part numbers beginning with the letter 'A' are pre-assembled Production Assemblies

K- Part numbers beginning with the letter 'K' are kits that are not assembled

S- Part numbers beginning with the letter 'S' are pre-assembled Service Assemblies

- Note: Some Production Assemblies do not begin with a letter prefix (Midrange only).

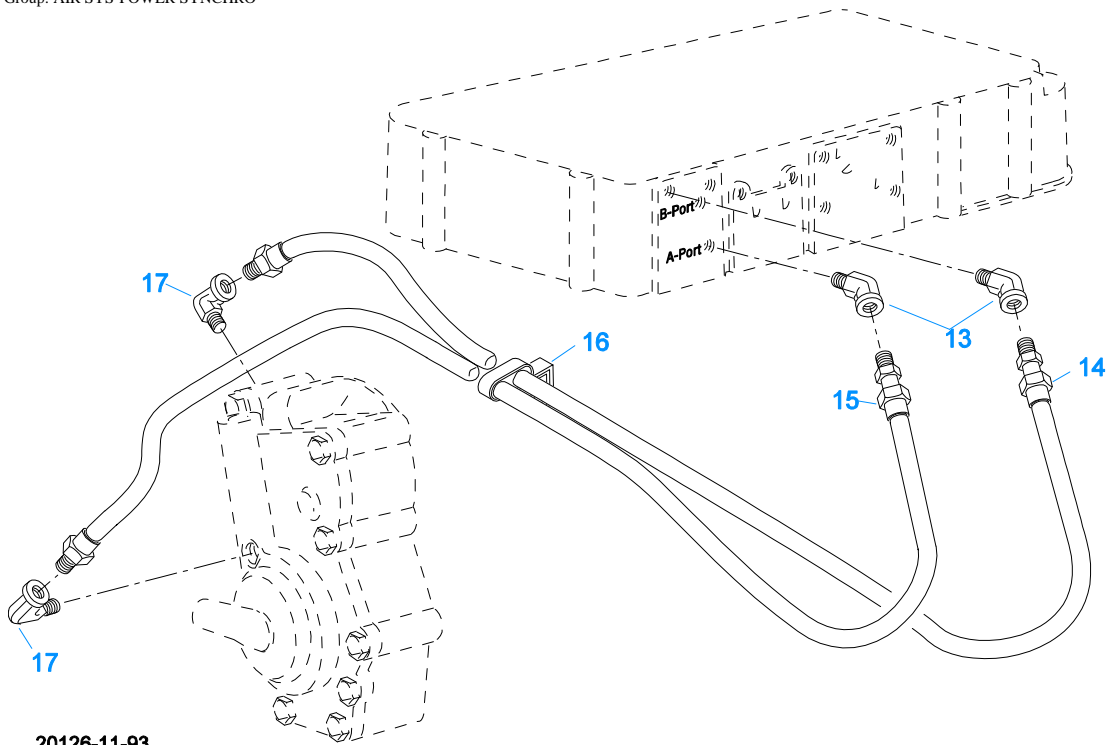
Illustrations

- Illustrations show parts in assembly groups.
- Item numbers on illustrations correspond with parts listings on pages adjacent to the illustration.
- Notes are included on illustrations where additional information is needed.

Parts Listing

Parts listings are defined by parts groupings and are broken down by service assemblies. Parts listings identify a part for servicing with the following categories

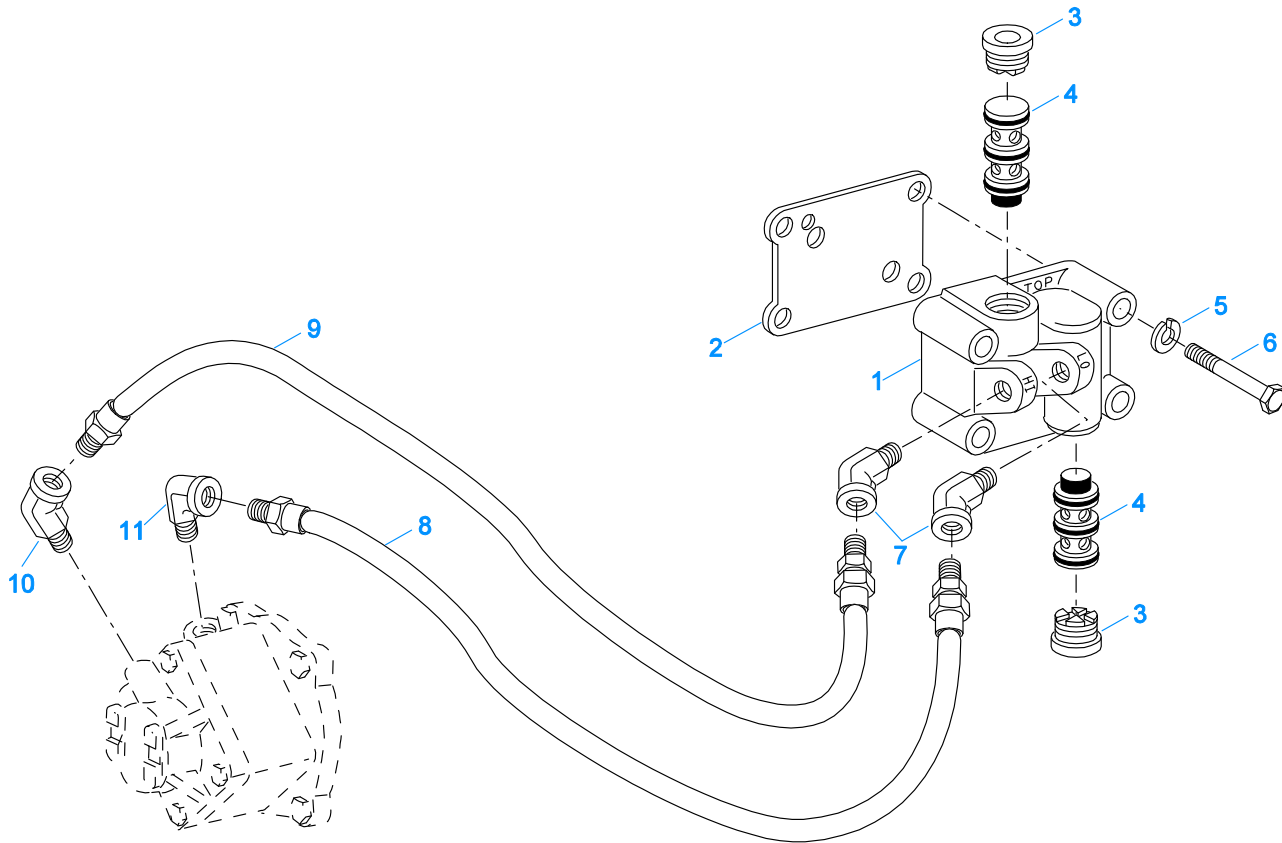
- **Item Number** - corresponding with numbers on illustrations for part identification.
- **Current Part** - identifies part as it is available for service.
- **Description** - specifies part name or description.
- **Replaced Part** - quantity quantity required for assembly.
- **Quantity** - defines unique characteristics or requirements.
- **Notes** - indicates Kits or Assemblies that contain a particular part.
- **Kits/Assy's Where Used**



20126-11-93

AIR SYS-POWER SYNCHRO

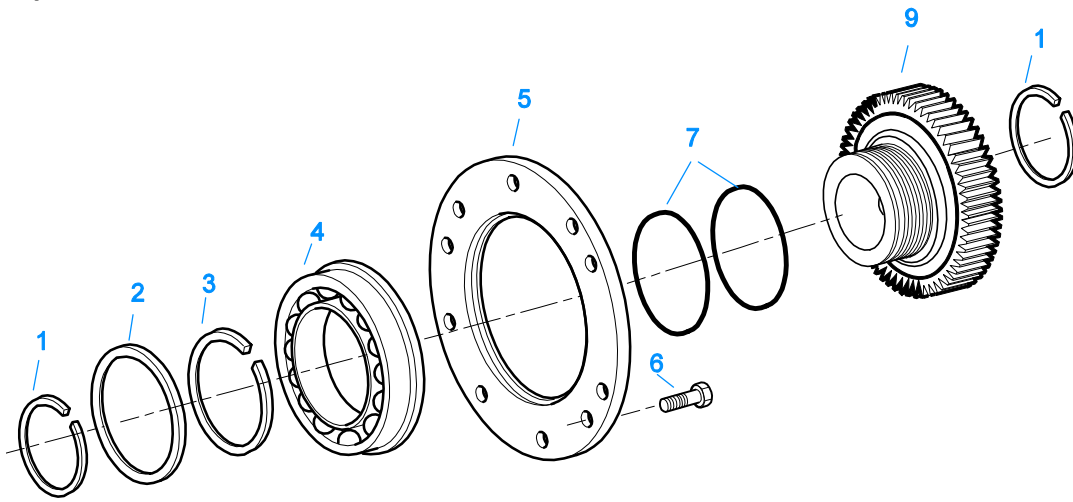
Item	Current Part	Description	Replaced Part	Qty.	Notes	Kits/Assys Where Needed
13	12880	ELBOW		2	1/8"	
14	55526	HOSE ASSY		1	26"	
15	55523	HOSE ASSY		1	29"	
16	18769	HOSE CLAMP	12152	1		
17	12845	ELBOW		2	1/8"	



20100-11-93

AIR SYS-RANGE

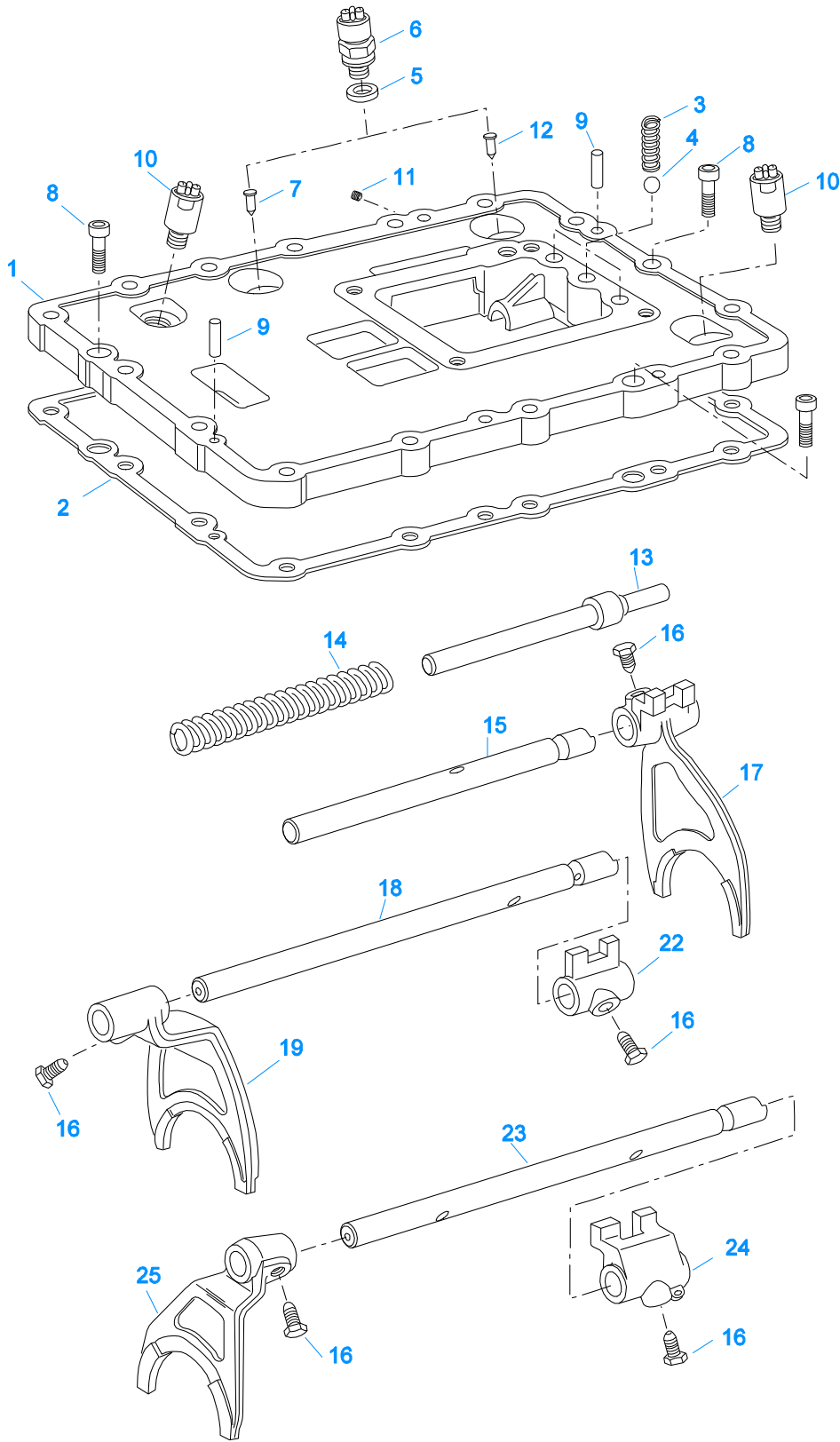
Item	Current Part	Description	Replaced Part	Qty.	Notes	Kits/Assys Where Needed
1	K-2979	RANGE VALVE KIT	A - 5363	1		
2	22551	GASKET		1		K-2172,K-2979
3	22639	PLUG		2		
4	4300810	INSERT VALVE	22641 ,4303615	2		
5	X-3-500	LOCKWASHER		4	5/16"	
6	X-8-546	SCREW		4	5/16"-18X2"	
7	12880	ELBOW		2	1/8"	
8	55505	HOSE ASSY		1	16"	
9	55533	NO LONGER AVAILABLE		1	17-1/2"	
10	12880	ELBOW		1	1/8"	
11	12845	ELBOW		1	1/8"	



10482-12/92 Aux DG

AUXILIARY DRIVE GEAR

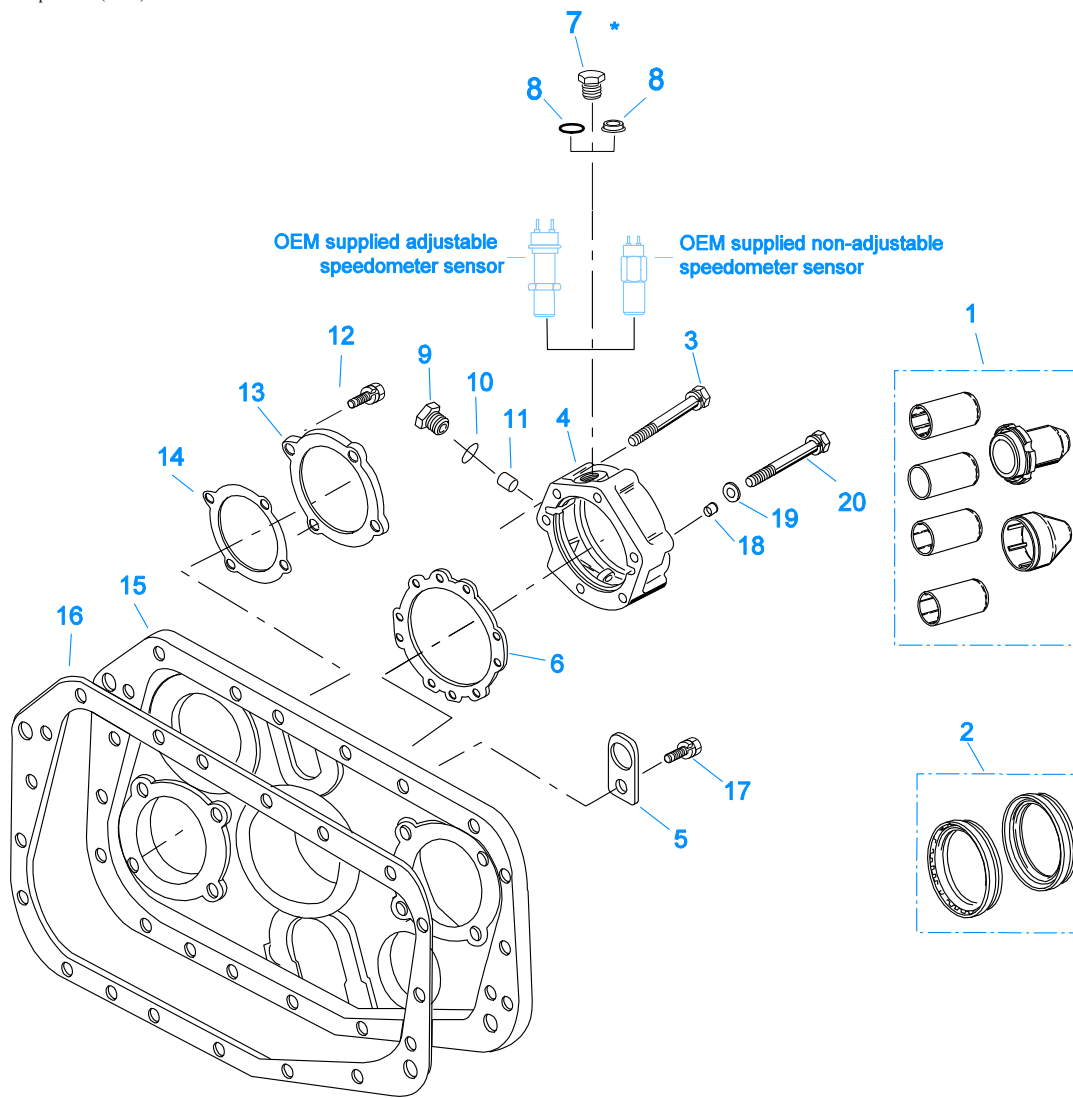
Item	Current Part	Description	Replaced Part	Qty.	Notes	Kits/Assys Where Needed
1	16763	SNAP RING		2		K-2290,K-2829
2	21320	SNAP RING RETAINER		1	RTO ONLY	
3	16628	SNAP RING		1		K-2829
4	5566507-BOX	BEARING	5566504,5566507	1		K-2290
5	16138	BEARING RETAINER		1		
6	X-8-645	CAPSCREW	X 8 612	6	3/8"-16X1"	
7	17453	-O- RING		2		K-2290,K-2630,K-2634
9	K-2634	NO LONGER AVAILABLE	4300549	1		



999

BAR HOUSING ASSY

Item	Current Part	Description	Replaced Part	Qty.	Notes	Kits/Assys Where Needed
1	K-2754	SHIFT BAR HSG ASSY	22596	1	HOUSING ONLY	
2	4302676	GASKET	14918	1		K-2172,K-2754,S-1876
3	1069	SPRING		3		K-2829,S-1876
4	X-14-800	STEEL BALL		3	1/2"	
5	15900	GASKET		2		K-2633,S-1876
6	691744	SHIFT SENSOR SWITCH	22565	2		K-2633,S-1876
7	691316	ACTUATING SWITCH PIN	23112	1		S-1876
8	X-8-691	CAPSCREW		3	3/8"-16X1"	
9	62516	ROLL PIN	62521	2		S-1876
10	K-2980	SENSOR UPDATE KIT	22567 ,K - 2631	2		
11	X-12-102	PLUG		1		
12	K-3271	NEUTRAL SWITCH KIT	22603	1		
13	691314	ACTUATING SHAFT SWITCH	22601	1		K-3271,S-1876
14	22604	SPRING		1		S-1876
15	22600	YOKE BAR		1	LOW/REVERSE	S-1876
16	3220	LOCKSCREW		5		S-1876
17	22434	YOKE		1	LOW/REVERSE	S-1876
18	22593	YOKE BAR		1	1ST/2ND	S-1876
19	691600	SHIFT YOKE	4302994	1	1ST/2ND	S-1876
22	14658	SHIFT BLOCK		1	1ST/2ND	S-1876
23	22594	YOKE BAR		1	3RD/4TH	S-1876
24	4303273	SHIFT BLOCK	22602	1	3RD/4TH	S-1876
25	691601	SHIFT YOKE	4302212	1	3RD/4TH	S-1876
999	S-1876	SHIFT BAR HSG ASSY	22596	1	COMPLETE	



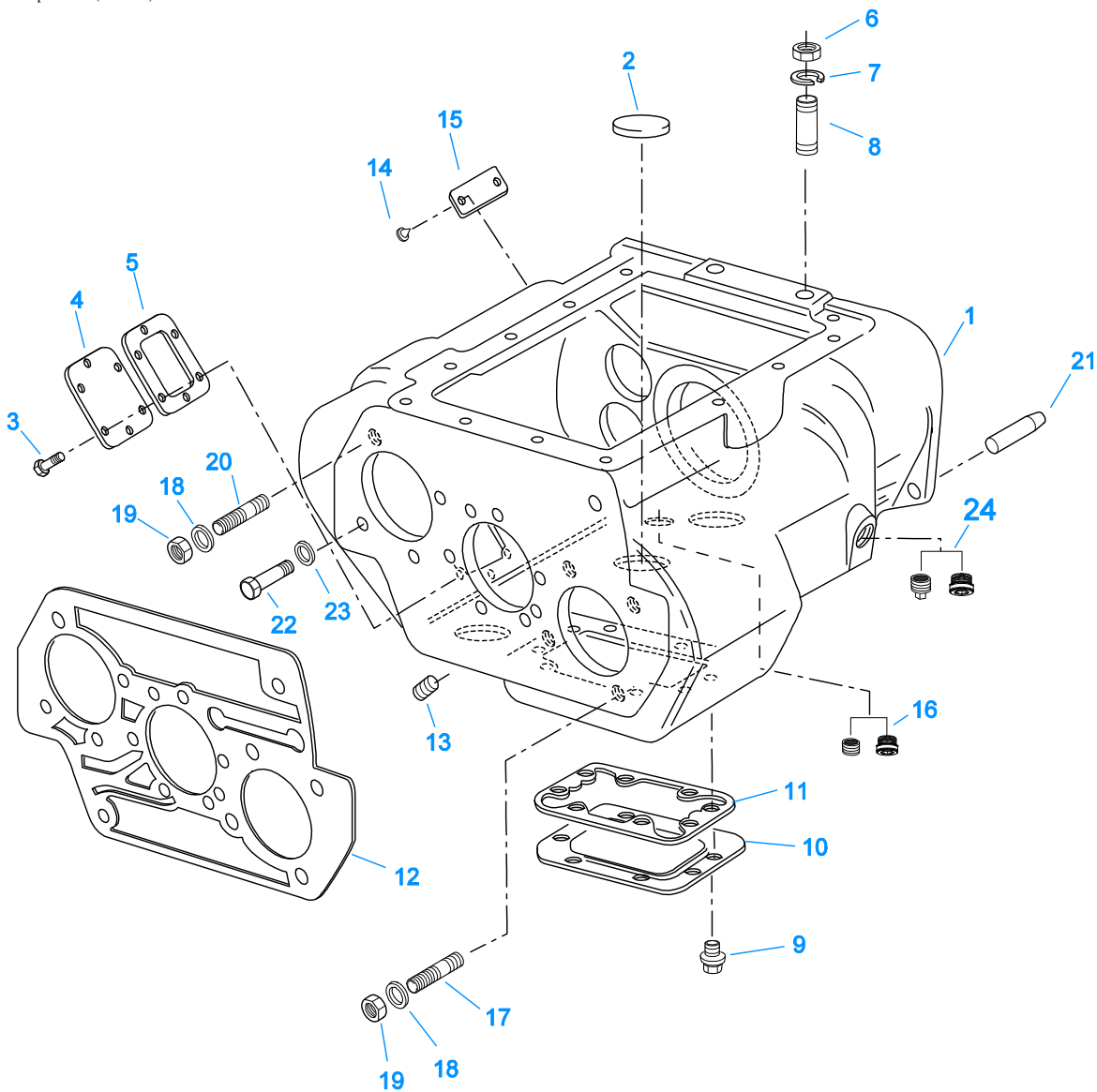
* Note — Items 7 & 8 / Magnetic Speedometer Openings:
 Use 13679 "O" ring w/ OEM supplied adjustable speedometer sensor
 and 20225 "O" ring w/ OEM supplied non-adjustable speedometer sensor or Eaton part #20224 Plug

20500-11-93

CASE (AUX)

Item	Current Part	Description	Replaced Part	Qty.	Notes	Kits/Assys Where Needed
1	K-3651	OIL SEAL TOOL KIT		1		
2	K-2262	OIL SEAL W/SLINGER	19109 20807 ,20808	1	"FOR MECHANICAL COVER"	K-2290
3	X-8L-605	CAPSCREW		5	3/8"-16X3"	
4	S-2178	NO LONGER AVAILABLE	4302015	1		
5	23646	LIFTING EYE		1		
6	15532	GASKET		1		K-2172,K-2262
7	20224	PLUG-MAGNETIC		2		
8	20225	-O- RING		2	USE W/20224 PLUG OR OEM SUPPLIED NON-ADJUSTABLE SPEEDOMETER SENSOR NOT TO BE USED WITH 4301954 SEAL O-RING NOT REQUIRED	
8	4301954	SENSOR SEAL		2		
9	20226	PLUG-MECHANICAL	2237	1		
10	14142	-O- RING		1		
11	7992	BUSHING		1		
12	X-8L-602	CAPSCREW		4	3/8"-16X1-1/2"	
13	22419	REAR BEARING COVER		1		

Item	Current Part	Description	Replaced Part	Qty.	Notes	Kits/Assys Where Needed
14	22420	GASKET		1		K-2172
15	22400	REAR HOUSING		1		
16	14335	GASKET		1		K-2172
17	X-8-6101	CAPSCREW		2	3/8"-16X1-1/2"	
17	X-8L-609	CAPSCREW		10	3/8"-16X1-3/4"	
17	X-8L-614	CAPSCREW		6	3/8"-16X2"	
18	19709	COLLAR		1		K-2172,K-2262
19	17106	GASKET		1		K-2172,K-2262
20	X-8-682	CAPSCREW		1	3/8"-16X3"	

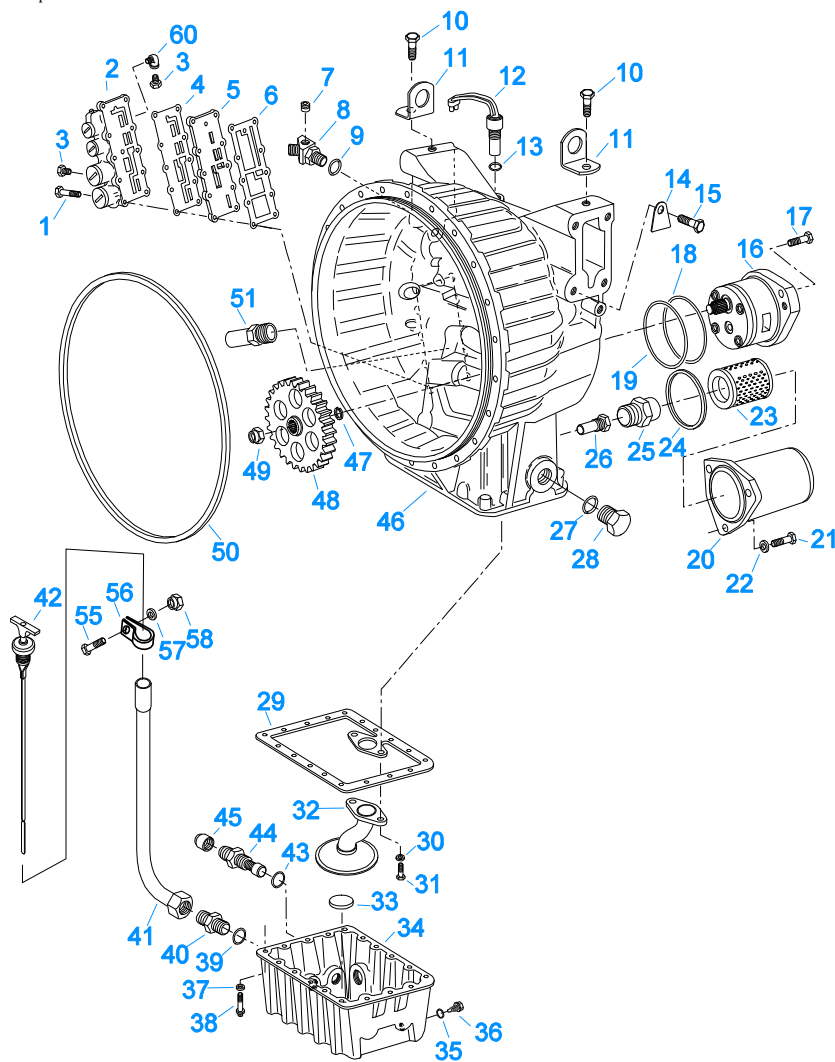


20445-11-93

CASE (FRONT)

Item	Current Part	Description	Replaced Part	Qty.	Notes	Kits/Assys Where Needed
1	S-1785	CASE ASSY	23583	1		
2	14373	MAGNET		3		S-1785
3	X-8-686	CAPSCREW		6	3/8"-16X3/4"	
4	14575	PTO COVER	4302254	1		
5	4305309	GASKET	1684	1		K-2172
6	X-1-1012	HEX NUT		2	.625-18	K-2504,K-2626
7	X-10-1005	WASHER	X 3 1000 ,X10 1000	2	1.23 X 6.60	
8	14554	STUD	1632 ,6579	2	5/8" X 2-3/16"	
9	X-8-725	CAPSCREW	X 8 724	8	7/16"-14X7/8"	
10	4302809	PTO COVER	16596 ,4300571	1		
11	4305310	GASKET	4302810	1		K-2172
12	22507	GASKET		1		K-2172,K-2504,K-2626
13	X-12-802	PIPE PLUG	X12 800	1	1/2"	
16	4304023	PLUG	4303747	1	1-1/16" MAGNETIC, O-RING INCLUDED	S-1785
16	X-12-1207	PIPE PLUG	X12 1202 ,X12 1206	1	3/4" MAGNETIC	
17	4306583	STUD	5966	4		
18	X-10-1005	WASHER	X 3 1000 ,X10 1000	6	1.23 X 6.60	
			,X10 1004			

Item	Current Part	Description	Replaced Part	Qty.	Notes	Kits/Assys Where Needed
19	X-1-1012	HEX NUT		6	.625-18	K-2504,K-2626
20	22916	STUD		2		
21	14334	DOWEL		2		
22	X-8-808	CAPSCREW		4	1/2"-13X1-1/4"	
23	X-10-802	NO LONGER AVAILABLE		4	1/2" PLAIN	
24	4304023	PLUG	4303747	1	1-1/16" MAGNETIC, O-RING INCLUDED	S-1785
24	X-12-2007	PIPE PLUG	X12 2006	1		

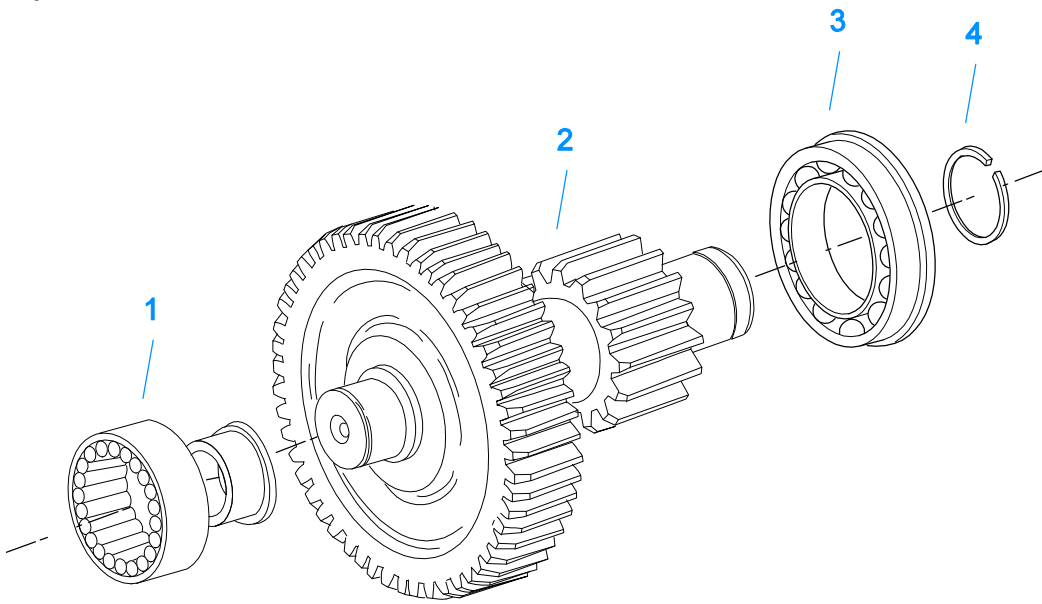


20402A-1-94

CONVERTER HOUSING ASSY

Item	Current Part	Description	Replaced Part	Qty.	Notes	Kits/Assys Where Needed
1	X-8-693	CAPSCREW		2	3/8"-16X2-1/4"	
1	X-8L-626	CAPSCREW		2	3/8"-16X2-1/4"	
1	X-8L-681	CAPSCREW		6	3/8"-16X2-3/4"	
2	A-5552	VALVE ASSY		1		
3	X-12-210	PIPE PLUG		4	1/8"	
4	22532	GASKET		1		K-2172,K-2393R,K-2626
5	22533	NO LONGER AVAILABLE		1		
6	22534	GASKET		1		K-2172,K-2393R,K-2626
7	X-12-802	PIPE PLUG	X12 800	1	1/2"	
8	4300315	ELBOW		1		
9	23109	-O- RING		1		K-2626,K-2877
10	X-8L-645	CAPSCREW		2	3/8"-16X1"	
11	23645	LIFTING EYE		2	90 DEG.	
12	K-2632	ENG SPEED SENSOR KIT	22569	1		
13	22504	-O- RING		1		K-2626,K-2632
14	23573	INSTRUCTION TAG		3		
15	X-8-1202	SCREW		3	3/4"-10X1"	
16	K-2911	OIL PUMP KIT	4300747 ,4302714	1		
17	X-8C-604	CAPSCREW		2	3/8"-16X1-1/4"	
18	691342	SEAL RING	5568503	1		K-2504,K-2626,K-2911
19	22430	-O- RING		1		K-2504,K-2626,K-2911
20	23220	FILTER BOWL		1		

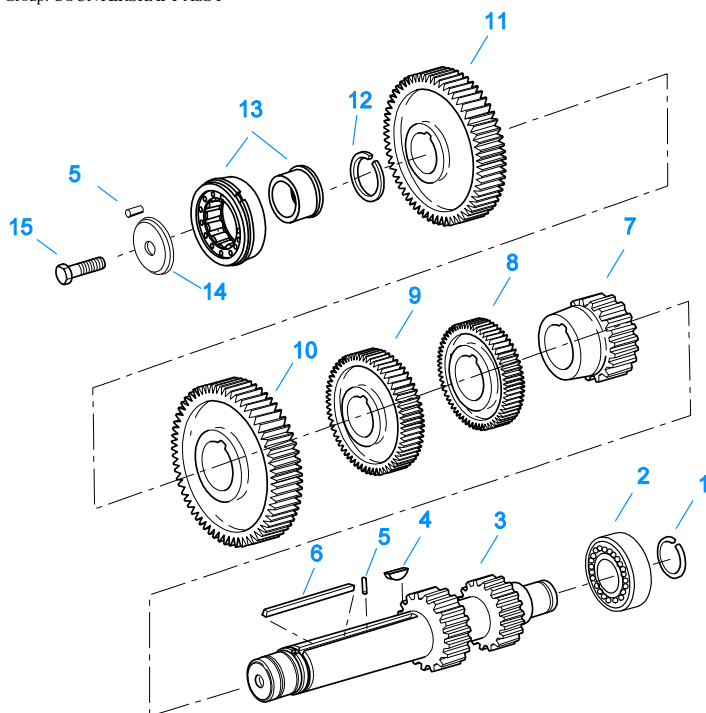
Item	Current Part	Description	Replaced Part	Qty.	Notes	Kits/Assys Where Needed
21	X-8-6105	SCREW	X 8 6106	3	3/8"-16X1-1/4"	
22	X-3-607	CONICAL WASHER		3	3/8"	
23	22510	OIL FILTER		1		K-2314
24	23108	-O- RING		1		K-2314,K-2626
25	22512	NIPPLE		1		
26	A-5732	RELIEF VALVE ASSY		1		K-2626
27	23029	-O- RING		1		K-2626
28	23028	PLUG		1		
29	22474	GASKET		1		K-2172,K-2314,K-2403,K-2626
30	X-3-507	CONICAL WASHER		2	5/16"	
31	X-8-550	CAPSCREW		2	5/16"-18X1" 12 PT	
32	4301601	OIL TRANSFER TUBE	4300434	1		K-2403
33	14373	MAGNET		1		S-1785
34	4300432	OIL PAN		1		
35	4300484	WASHER		1		
36	4300438	DRAIN PLUG		1		
37	X-3-507	CONICAL WASHER		20	5/16"	
38	X-8-550	CAPSCREW		20	5/16"-18X1" 12 PT	
39	23109	-O- RING		1		K-2626,K-2877
40	22431	CONNECTOR		1		
41	5500503	OIL FILL TUBE		1	STANDARD	
42	5501020	DIPSTICK	5501003	1	STANDARD	
43	23029	-O- RING		1		K-2626
44	A-5754	VALVE ASSY		1		K-2626
45	4300452	CAP		1		
46	K-2626	#2 CONVERTER HSG KIT	4300324	1		
47	4302219	SNAP RING		1		K-2911
48	4302216	PUMP GEAR		1		
49	X-1-1008	NUT		1	5/8"-18	
50	22499	SEAL RING		1		K-2172,K-2399,K-2504
51	A-7119	FILTER BYPASS VALVE ASSY	A - 6067 A - 6393	1		K-2393R,K-2626
55	X-8-601	CAPSCREW		1	3/8"-16X3/4"	
56	4300626	CLAMP		1		K-2874,K-2875,K-2876
57	X-10-605	WASHER		1	3/8"	
58	X-9-604	NUT		1	3/8"-16	
60	12845	ELBOW		2	1/8"	



10442-4/92 Aux CS

COUNTERSHAFT & BRGS(AUX)

Item	Current Part	Description	Replaced Part	Qty.	Notes	Kits/Assys Where Needed
1	8879	BEARING		2		K-2290
2	A-5736	WELDED COUNTERSHAFT ASSY	A - 4722 ,A - 4976	2	C/S 4300319 - D/G 19255	
3	81052	BEARING	81008	2		K-2290
4	16723	SNAP RING		2		K-2290,K-2829

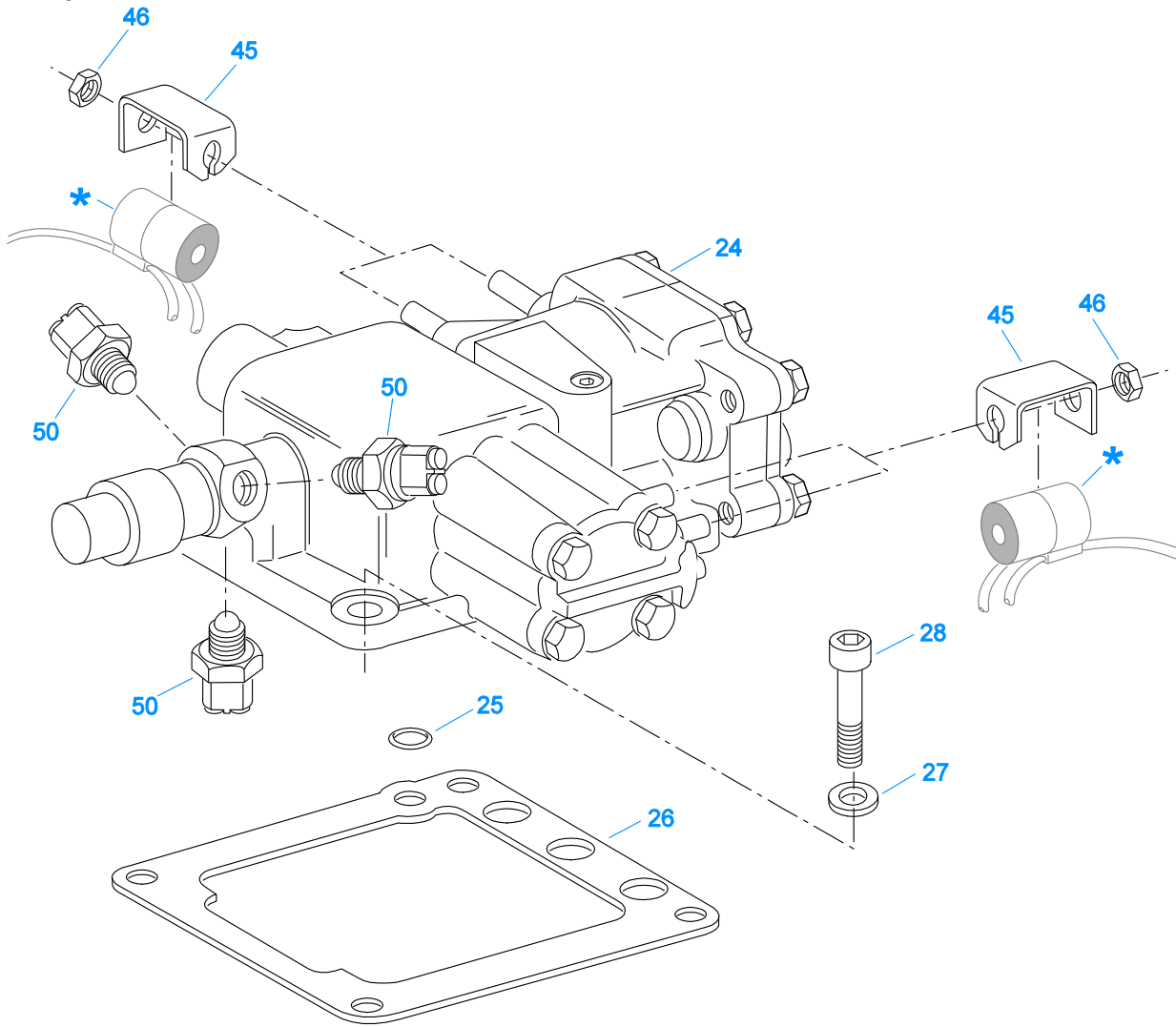


10341-1/92 CS/RT

COUNTERSHAFT ASSY

Item	Current Part	Description	Replaced Part	Qty.	Notes	Kits/Assys Where Needed
1	14317	SNAP RING		2		K-2290,K-2829
2	14366	BEARING		2		K-2290
3	K-2934	CNTRSHFT-UPPER	19549	1		
3	K-3783	CNTRSHFT-LOWER	20804, 4301054, K-2935	1		
4	X-6-E	KEY		2		
5	62511	ROLL PIN		4		
6	4304840	KEY	19673	2		
7	4306076	1ST GEAR-CNTRSHFT	19247,20471	2		
8	20482	2ND GEAR-CNTRSHFT	19615	2		
9	4305661	OD GEAR-CNTRSHFT	19631 ,19633 ,20481 ,4302233,20459	2		
10	15953	PTO GEAR - LOWER		1		
10	20840	PTO GEAR - UPPER		1		
11	4305657	DRIVE GEAR-CNTRSHFT	19240 ,19243 ,20392 ,4302087,21020	2		
12	19198	SNAP RING		2		
13	4304599	BEARING	4302677 4304598	2		K-2290
14	4304605	RETAINER	19548	2	ROLL PIN NO LONGER REQUIRED	
15	X-7-1005	CAPSCREW		2	5/8"-18X1-3/4"	

Group: ECU CONTROLS
 Sub-Group: AUTO SHIFTER ASSY



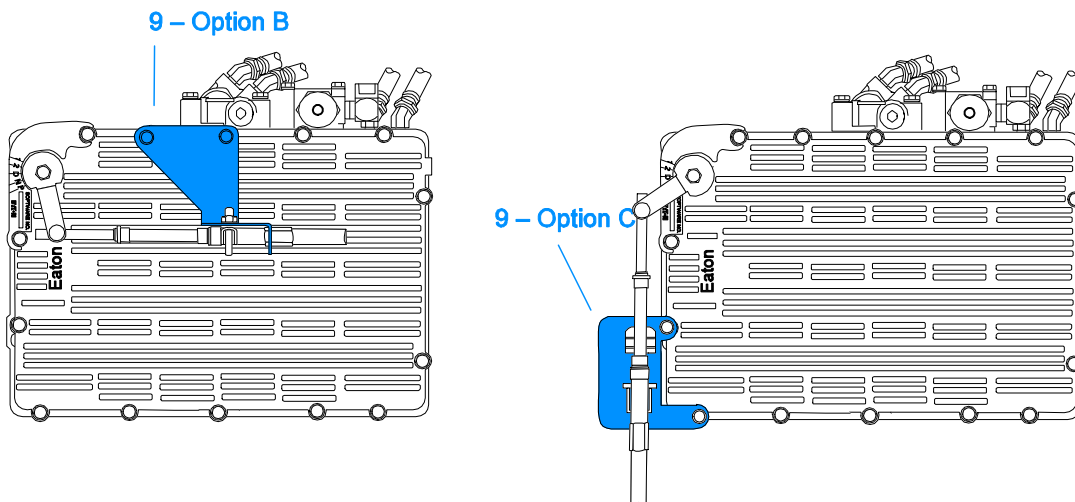
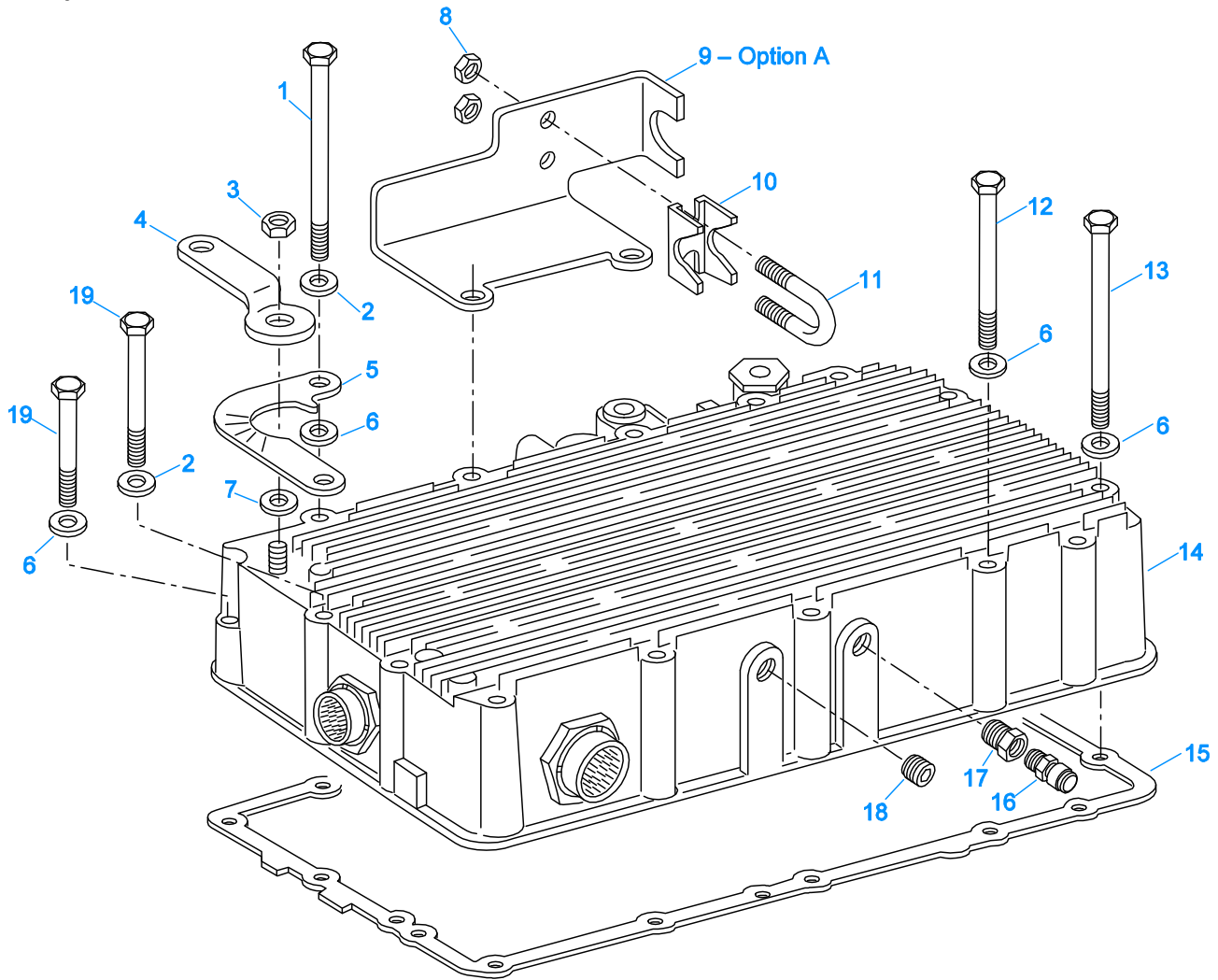
20226-11-93

* Indicates connection for Auto Shifter Harness Assembly

ECU CONTROLS

AUTO SHIFTER ASSY

Item	Current Part	Description	Replaced Part	Qty.	Notes	Kits/Assys Where Needed
24	K-2983	AUTO SHIFTER KIT	A - 5517 ,K - 2635	1		
24	K-2983R	REMAN AUTOSHIFTER KIT	K - 3080	1		
25	14197	-O- RING		1		
26	691303	GASKET	22592	1		
27	X-10-600	WASHER		4	3/8"	
28	X-8-6101	CAPSCREW		4	3/8"-16X1-1/2"	
45	22867	YOKE		4		
46	X-16-700	NUT		4	7/16"-20	
50	691744	SHIFT SENSOR SWITCH	22565	3		



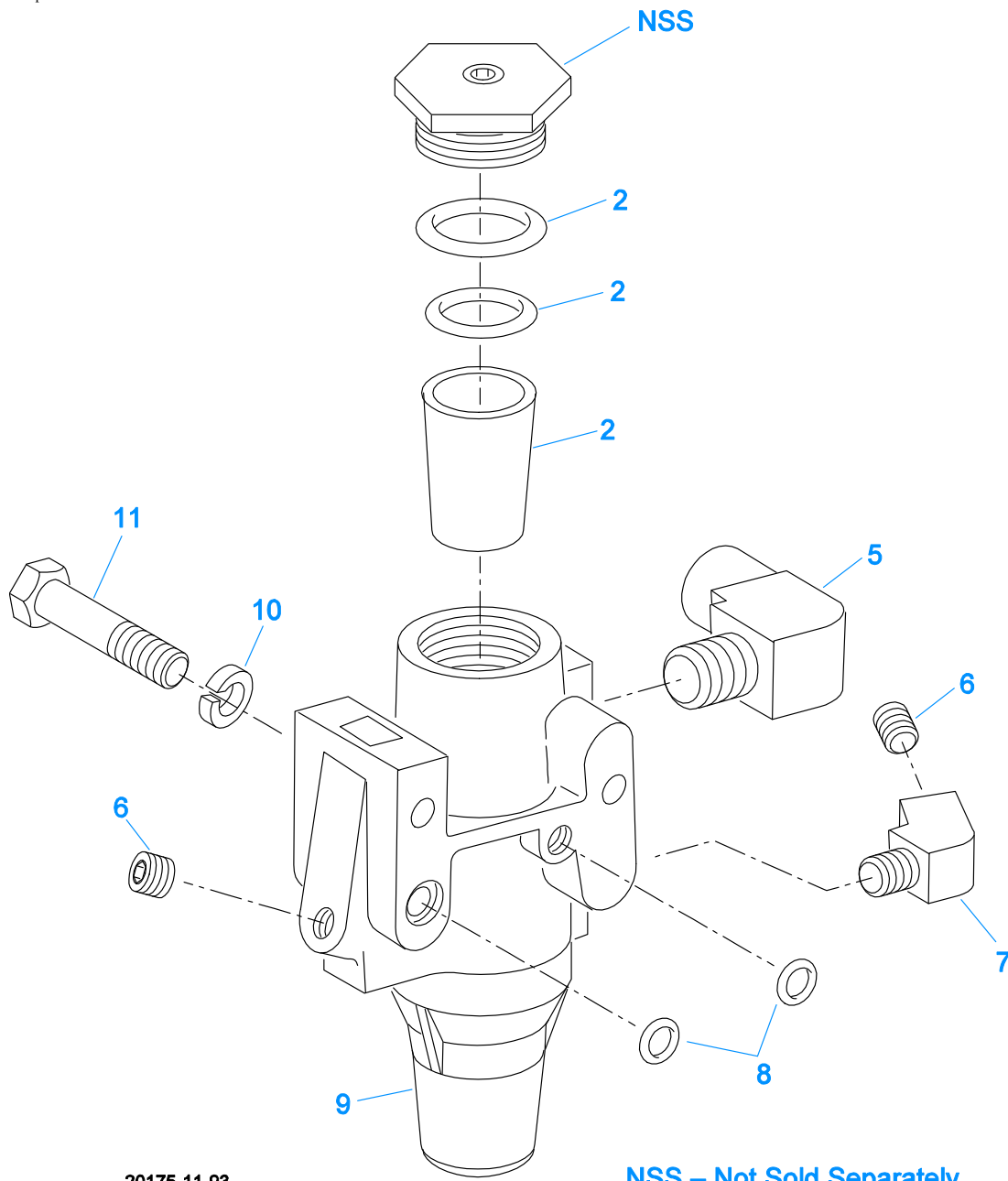
Note: Three bracket options are available for mounting shift cable – item 9.

20200-11-93

ECU CONTROLS

BAR HOUSING COVER ASSY

Item	Current Part	Description	Replaced Part	Qty.	Notes	Kits/Assys Where Needed
	28.002	AUTOSELECT ECU P/N CHART		1		
1	X-8-690	CAPSCREW		3	3/8"-16X5"	
2	X-10-605	WASHER		2	3/8"	
3	X-1-604	NUT		1	3/8"-24	
4	4300049	SHIFT CONTROL LEVER		1	5/6 POSITION	
4	4300074	SHIFT CONTROL LEVER		1	7 POSITION	
5	4300042	SHIFT INDICATOR PLATE		1	5 POSITION	
5	4300044	SHIFT INDICATOR PLATE		1	6 POSITION	
5	4300045	SHIFT INDICATOR PLATE		1	7 POSITION	
6	23473	WASHER		15		
7	22544	WASHER		1		
8	X-1-405	NUT	X 9 402	2		
9	4300054	BRACKET		1	OPTION A - USE X-8-690 CAPSCREWS	
9	4300055	BRACKET		1	OPTION C - USE X-8-690 CAPSCREWS	
9	4300056	BRACKET		1	OPTION B - USE 2 PCS 4300051 AND X-8-6103 CAPSCREWS W/THIS BRACKET	
10	4300053	CLAMP		1		
11	4300092	-U- BOLT		1		
12	X-8-6100	CAPSCREW		1	3/8"-16X4-1/8"	
13	X-8-647	CAPSCREW		9	3/8"-16X4-3/4"	
15	4301116	GASKET		1		
16	7935	BREATHER		1		
17	9332	BUSHING		1		
18	X-12-405	PIPE PLUG		1		
19	X-8-615	CAPSCREW		2	3/8"-16X4-1/4"	

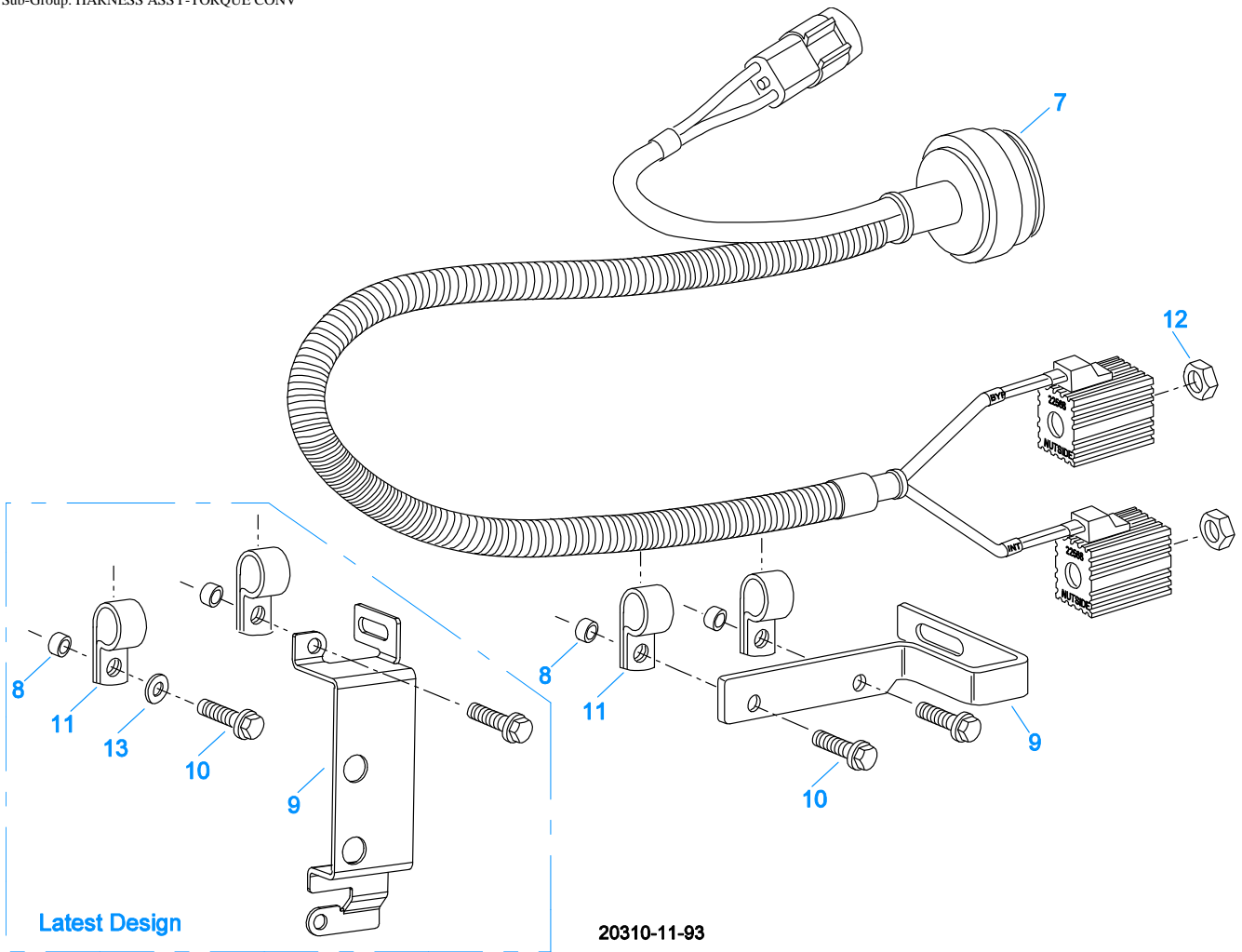


20175-11-93

NSS – Not Sold Separately

FILTER REGULATOR

Item	Current Part	Description	Replaced Part	Qty.	Notes	Kits/Assys Where Needed
2	K-1698	-O- RING/ELEMENT KIT		1	FOR FILTER REGULATOR	
5	23607	ELBOW		1		
6	X-12-208	PIPE PLUG		2	1/8" NPT	
7	12880	ELBOW		1	1/8"	
8	15114	-O- RING		2		K-2301
9	A-5373	FILTER REGULATOR ASSY	22677	1	77 - 82 PSI	K-2301
10	X-3-400	LOCKWASHER		2	1/4"	
11	X-8-440	SCREW		2	1/4"-20X2-1/4"	

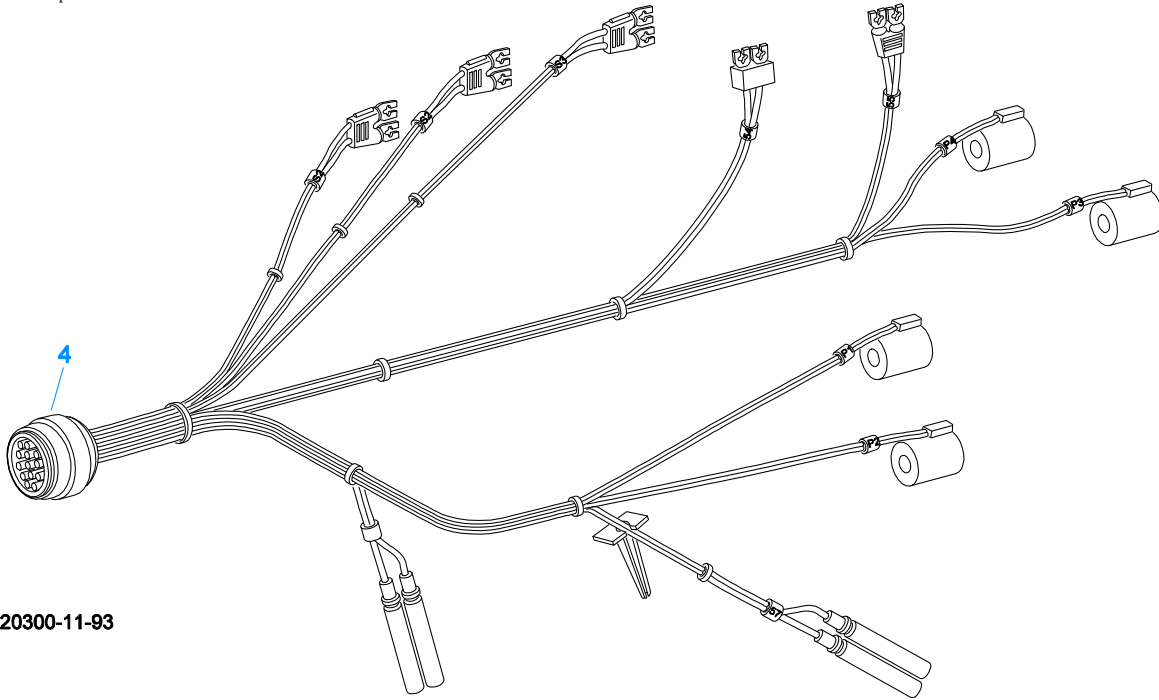


HARNESES & HARDWARE

HARNESS ASSY-TORQUE CONV

Item	Current Part	Description	Replaced Part	Qty.	Notes	Kits/Assys Where Needed
7	A-5519	HARNESS ASSY		1		
8	4300689	SPACER		2		
9	K-3201	BRACKET KIT	4300625 ,4303346	1		
10	X-8L-681	CAPSCREW		2	3/8"-16X2-3/4"	
11	11665	CLAMP		2		
12	X-1-809	JAM NUT		2	1/2"-20	
13	X-10-605	WASHER		1	3/8"	
14	K-3201	BRACKET KIT	4300625 ,4303346	1		

Group: HARNESES & HARDWARE
 Sub-Group: HARNESS ASY-AUTO SHIFTER



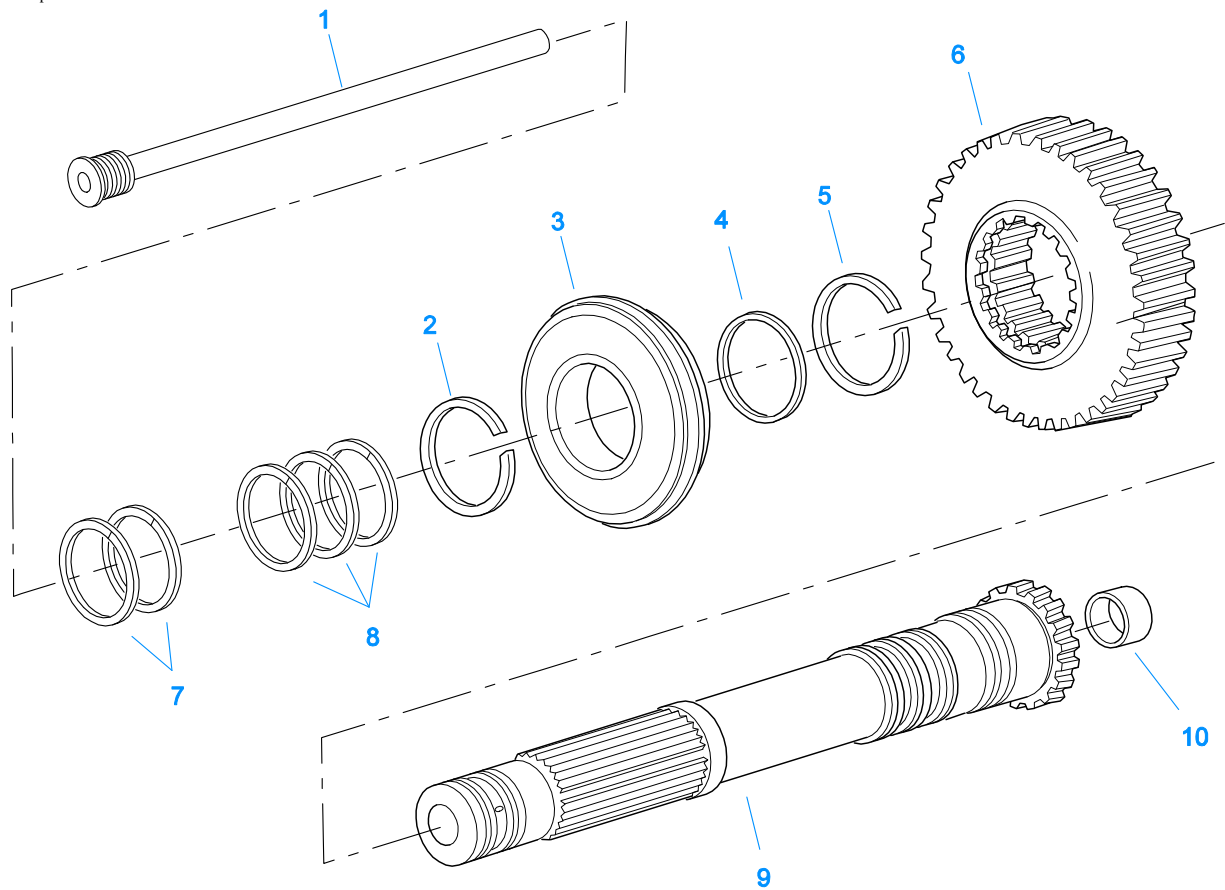
20300-11-93

HARNESES & HARDWARE

HARNESS ASY-AUTO SHIFTER

Item	Current Part	Description	Replaced Part	Qty.	Notes	Kits/Assys Where Needed
4	K-2981	AUTO SHIFTER KIT	A - 5518 ,K - 2384	1		

Group: INPUT SHAFT & DRIVE GEAR



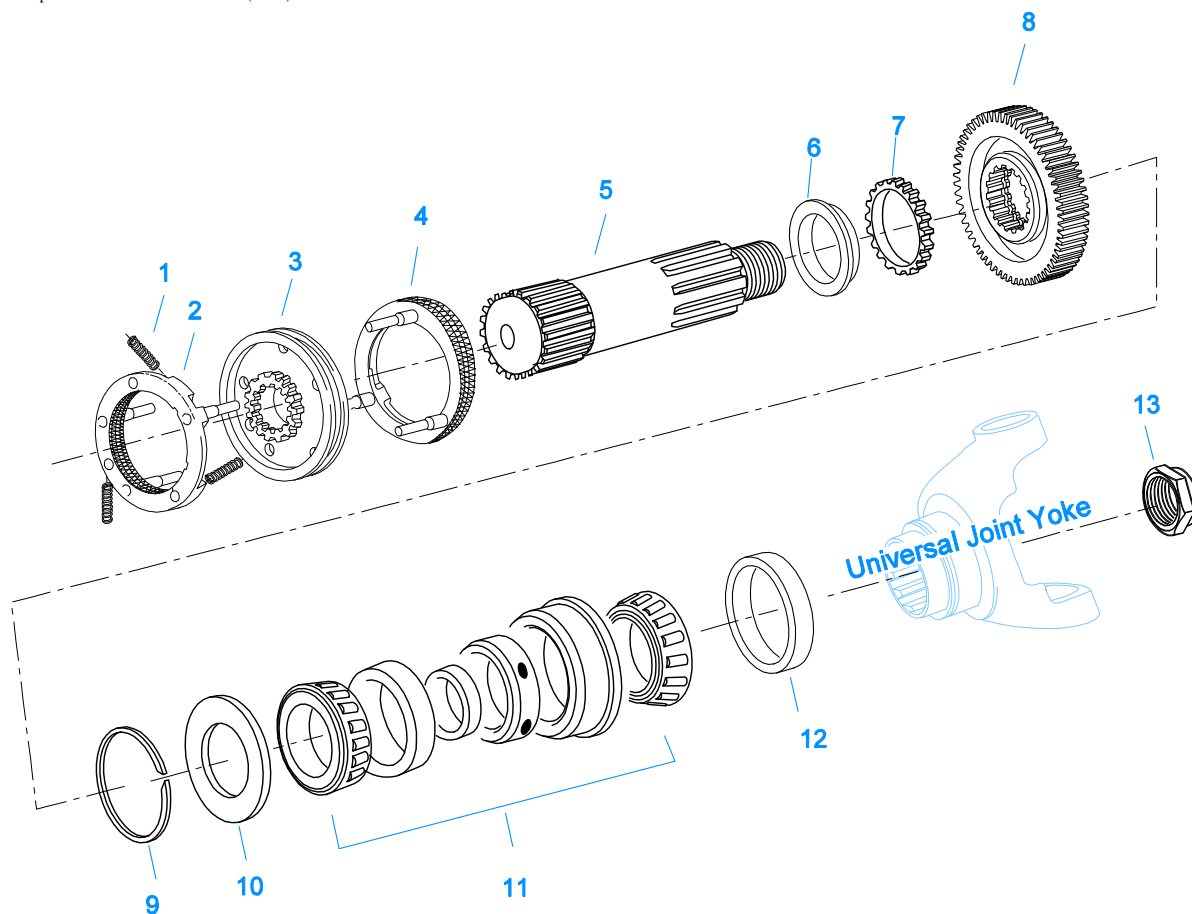
20465-11-93

INPUT SHAFT & DRIVE GEAR

Item	Current Part	Description	Replaced Part	Qty.	Notes	Kits/Assys Where Needed
1	22500	INPUT SHAFT OIL TUBE		1		S-1644
2	16980	SNAP RING		1		
3	81504	BEARING		1		K-2290
4	16463	SPACER		1		
5	14750	SNAP RING		1		K-2290,K-2829
6	21021	DRIVE GEAR	19241	1		
7	22428	PISTON RING		2		K-2399,K-2504
8	22508	PISTON RING		3		K-2399
9	S-1644	INPUT SHAFT ASSY	22483	1		
10	20171	BUSHING		1		K-2290,S-1644

KITS & ASSEMBLIES

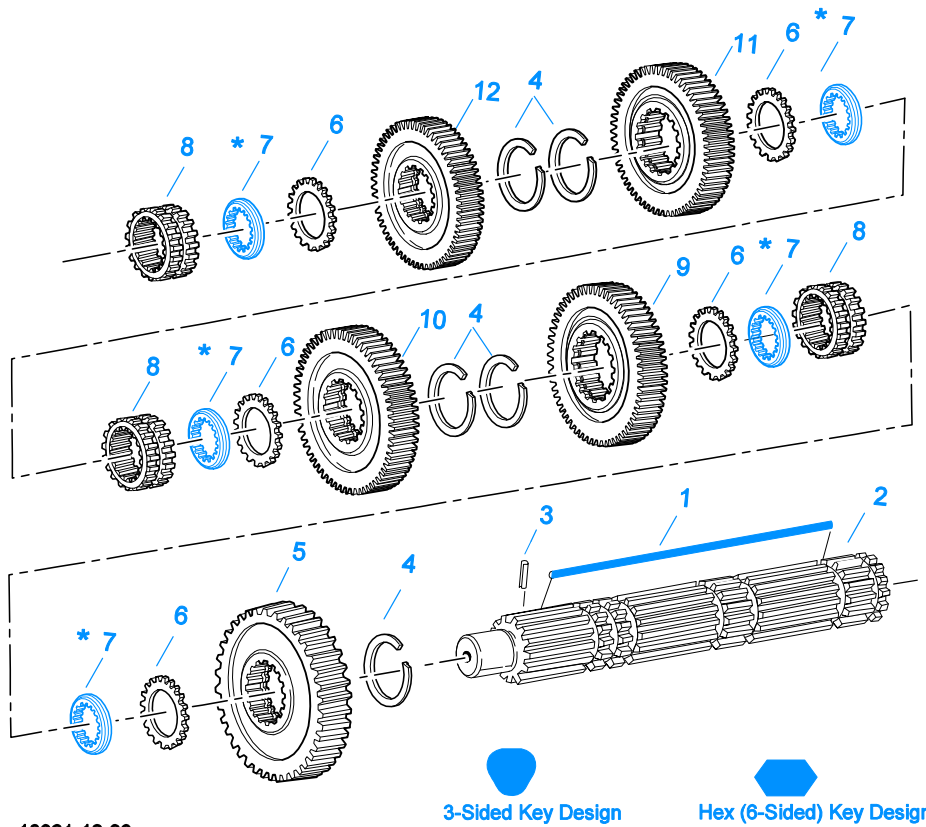
Item	Current Part	Description	Replaced Part	Qty.	Notes	Kits/Assys Where Needed
K-1698		-O- RING/ELEMENT KIT		1	FOR FILTER REGULATOR	
K-2172		GASKET KIT		1		K-2290
K-2262		OIL SEAL W/SLINGER	19109 20807 ,20808	1	"FOR MECHANICAL COVER"	K-2290
K-2290		BASIC REBUILD KIT		1		
K-2301		FILTER REGULATOR KIT		1		
K-2314		OIL FILTER KIT		1		
K-2385		AUTO-SHIFTER KIT		1		
K-2393R		REMAN HYDRA VALVE KIT	K - 3084	1		
K-2397R		REMAN PWR SYNCHRO KIT	K - 3076	1	A-RATIO	
K-2399		CONVERTOR SEAL KIT		1		K-2626,K-2648R,K-2649R
K-2400R		REMAN PWR SYNCHRO KIT	K - 3077	1	B-RATIO	
K-2403		OIL PAN RETRO KIT		1	STANDARD	
K-2439		KEY & WASHER KIT		1	CONTAINS 3-SIDED KEY	
K-2504		OIL PUMP KIT		1		
K-2621		POWER SYNCO LUBE KIT		1		
K-2626		#2 CONVERTER HSG KIT	4300324	1		
K-2630		REPL KIT-DRIVE GEAR	4300548	1	B-RATIO	
K-2632		ENG SPEED SENSOR KIT	22569	1		
K-2633		BALL SWITCH KIT		1		
K-2642		6 BOLT ROTATED LINE KIT		1		
K-2643		6 BOLT OIL LINE KIT		1		
K-2644		8 BOLT OIL LINE KIT		1		
K-2648R		REMAN 14-B CNVTR KIT	K - 3081	1		
K-2649R		REMAN 14-A CNVTR KIT	K - 3116	1		
K-2754		SHIFT BAR HSG ASSY	22596	1	HOUSING ONLY	
K-2802		-O- RING KIT-RANGE		1		K-2290
K-2829		SMALL PARTS KIT		1		
K-2831		CYLINDER KIT-RANGE		1		
K-2874		THROTTLE SENSOR KIT	K - 2325	1	45" CABLE	
K-2875		THROTTLE SENSOR KIT	K - 2505	1	60" CABLE	
K-2876		THROTTLE SENSOR KIT	K - 2324	1	30" CABLE	
K-2877		SUMP TUBE RETURN KIT	K - 2620	1		
K-2911		OIL PUMP KIT	4300747 ,4302714	1		
K-2934		COUNTERSHAFT REPL KIT	19549	1		
K-2980		SENSOR UPDATE KIT	22567 ,K - 2631	1		
K-2981		AUTO SHIFTER KIT	A - 5518 ,K - 2384	1		
K-2982		AUTO-SHIFTER HARNESS KI	K - 2396	1	24 VOLT	
K-2983		AUTO SHIFTER KIT	A - 5517 ,K - 2635	1		
K-2983R		REMAN AUTOSHIFTER KIT	K - 3080	1		
K-3651		OIL SEAL TOOL KIT		1		
K-3783		COUNTERSHAFT REPL KIT	20804 ,22411, 4301054, K-2935	1		
S-1644		INPUT SHAFT ASSY	22483	1		
S-1653		STATOR SUPPORT ASSY	22489	1		
S-1785		CASE ASSY	23583	1		
S-1876		SHIFT BAR HSG ASSY	22596	1	COMPLETE	
S-2688		MAINSHAFT ASSY	4303404 ,4303913	1		



20531-11-93

MAINSHAFT & SYNCHRO(AUX)

Item	Current Part	Description	Replaced Part	Qty.	Notes	Kits/Assys Where Needed
1	14897	SPRING		3		K-2290,K-2829
2	A-7331	SYNCHRONIZER ASSY	4304396 ,4304397 ,A - 5917	1	HI RANGE	
3	22915	SLIDING CLUTCH		1		
4	A-7254	SYNCHRONIZER ASSEMBLY	A - 4937 ,A - 5876	1	LO RANGE	
5	19281	MAINSHAFT		1		
6	14332	WASHER		1		K-2829
7	23099	WASHER		1		K-2829
8	23129	NO LONGER AVAILABLE		1		
9	14327	SNAP RING		1		K-2829
10	19466	WASHER		1		K-2829
11	14367	BEARING		1		K-2290
12	20192	SPACER	14375	1		
13	22254	NUT	11956	1		



10321-12-93

*** Updating to 3-Sided Key is Recommended.**
When Updating to 3-Sided Key Replace all Washers to Match Key Design
Always Use Matching Key and Washer Sets (See Appendix - Mainshaft Washers)

MAINSHAFT ASSY

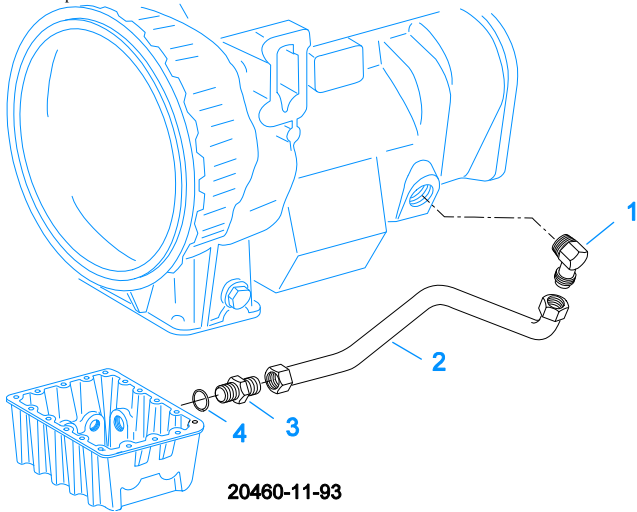
Item	Current Part	Description	Replaced Part	Qty.	Notes	Kits/Assys Where Needed
1	4304615	3-SIDED KEY	4300120	1		K-2439
1	K-2439	KEY & WASHER KIT		1	CONTAINS 3-SIDED KEY	
2	S-2688	MAINSHAFT ASSY	4303404 ,4303913	1		
3	62504	ROLL PIN		1		S-2688
4	14750	SNAP RING		5		K-2290,K-2829
5	16756	REVERSE GEAR-MAINSHAFT	22408	1		
6	14749	SPACER		5		K-2829
7	4300382	WASHER .249-WHITE		5		K-2439,K-2829
7	4300383	WASHER .254-GREEN		5	OPTIONAL 4300382-4300387 OR 4300830 USE ANY 5 WASHERS. USE WITH 3-SIDED KEY	K-2439,K-2829
7	4300384	WASHER .259-ORANGE		5	OPTIONAL 4300382-4300387 OR 4300830 USE ANY 5 WASHERS. USE WITH 3-SIDED KEY	K-2439,K-2829
7	4300385	WASHER .264-PURPLE		5	OPTIONAL 4300382-4300387 OR 4300830 USE ANY 5 WASHERS. USE WITH 3-SIDED KEY	
7	4300386	WASHER .269-YELLOW		5	OPTIONAL 4300382-4300387 OR 4300830 USE ANY 5 WASHERS. USE WITH 3-SIDED KEY	
7	4300387	WASHER .274-BLACK		5	OPTIONAL 4300382-4300387 OR 4300830 USE ANY 5 WASHERS. USE WITH 3-SIDED KEY	
7	4300830	WASHER .244-BLUE		5		K-2439,K-2829
8	22412	SLIDING CLUTCH		3		

Item	Current Part	Description	Replaced Part	Qty.	Notes	Kits/Assys Where Needed
9	16754	LO GEAR-MAINSHAFT		1		
10	20389	1ST GEAR-MAINSHAFT	19246	1		
11	20390	2ND GEAR-MAINSHAFT	19614	1		
12	19632	OD GEAR-MAINSHAFT		1		

MISCELLANEOUS

Item	Current Part	Description	Replaced Part	Qty.	Notes	Kits/Assys Where Needed
4301065		SHIFT DIAGRAM LABEL		1	5 POS REVERSE FORWARD	
4301066		SHIFT DIAGRAM LABEL		1	5 POS REVERSE REARWARD	
4301067		SHIFT DIAGRAM LABEL		1	6 POS REVERSE FORWARD	
4301068		SHIFT DIAGRAM LABEL		1	6 POS REVERSE REARWARD	
4301120		SHIFT DIAGRAM LABEL		1	7 POS REVERSE FORWARD	
4301121		SHIFT DIAGRAM LABEL		1	7 POS REVERSE REARWARD	
71203		SILICONE LUBE		1	8 OZ (236.59 CC)-FLEET SIZE	
71204		ADHESIVE SEALANT		1	0.5 CC (SINGLE APPLICATION SIZE)	
71205		SEALANT		1	2 CC (SINGLE APPLICATION SIZE)	K-2314,K-2980
71206		SILICONE LUBE		1	4 CC (SINGLE APPLICATION SIZE)	K-2314,K-2802,K-2831

Group: OIL LINE RETURN
 Sub-Group: OIL LINE RETURN/CURRENT

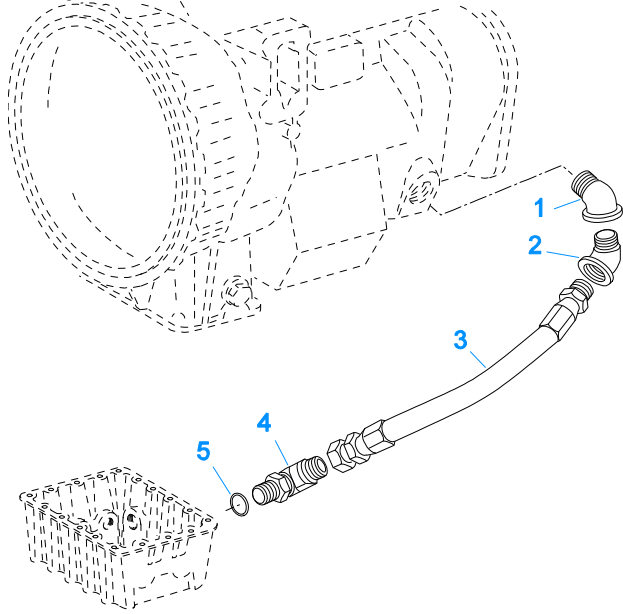


OIL LINE RETURN

OIL LINE RETURN/CURRENT

Item	Current Part	Description	Replaced Part	Qty.	Notes	Kits/Assys Where Needed
1	4301100	ELBOW	23597	1		
2	4301101	TUBE	23778	1		
3	23596	CONNECTOR		1		
4	23109	-O- RING		1		

Group: OIL LINE RETURN
 Sub-Group: OIL LINE RETURN/NON-CURR

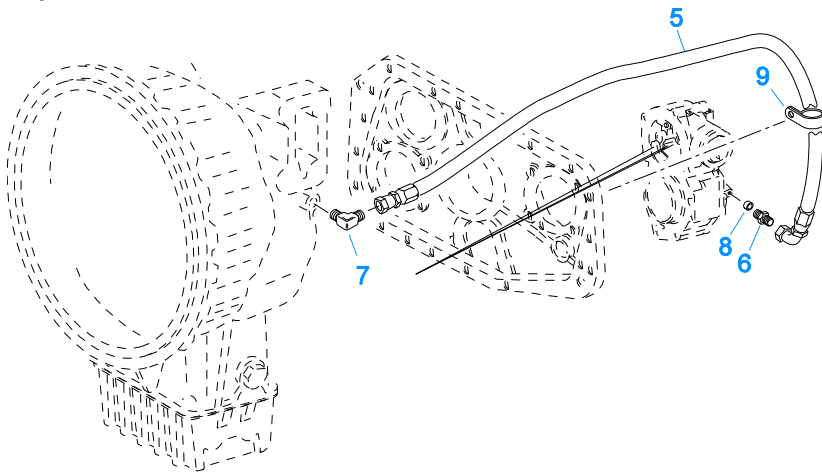


20461-1-94

OIL LINE RETURN

OIL LINE RETURN/NON-CURR

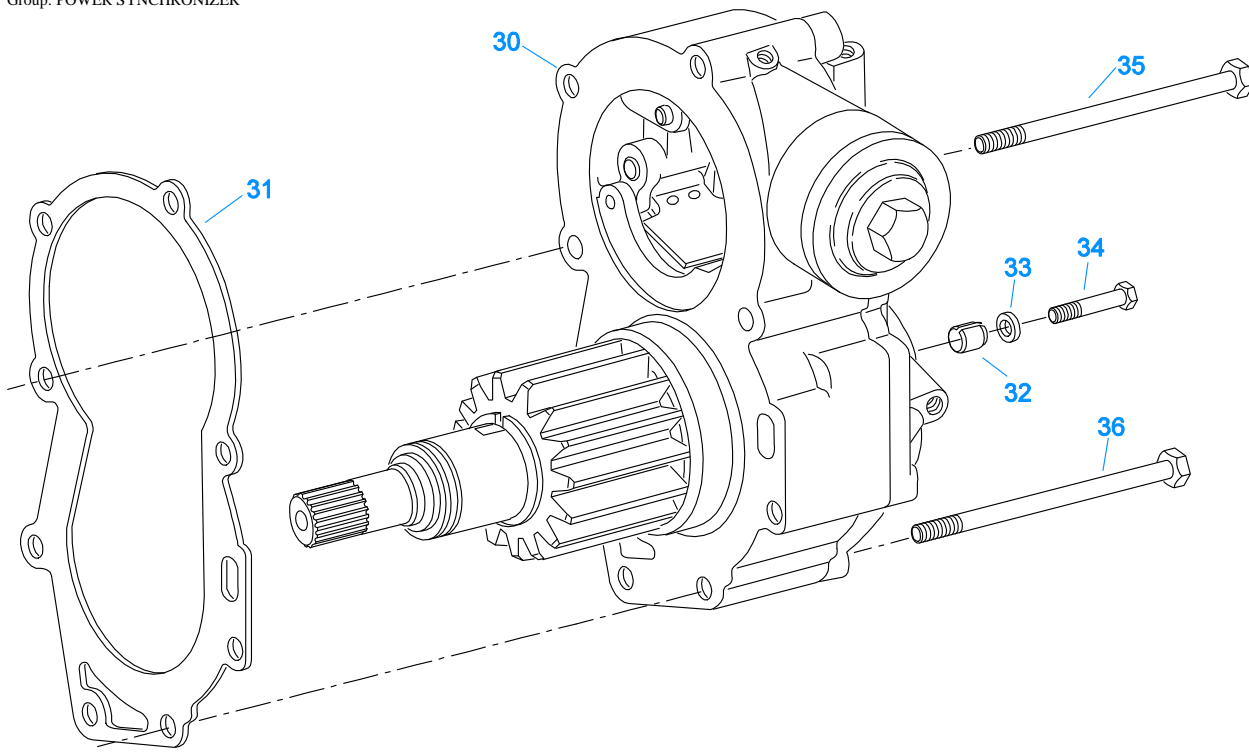
Item	Current Part	Description	Replaced Part	Qty.	Notes	Kits/Assys Where Needed
1	13878	NO LONGER AVAILABLE		1		
2	4411	ELBOW		1	45 DEG.	
3	22541	HOSE ASSY		1		
4	22413	ELBOW		1		
5	23109	-O- RING		1		



20455-11-93

OIL LINES-POWER SYNCHRO

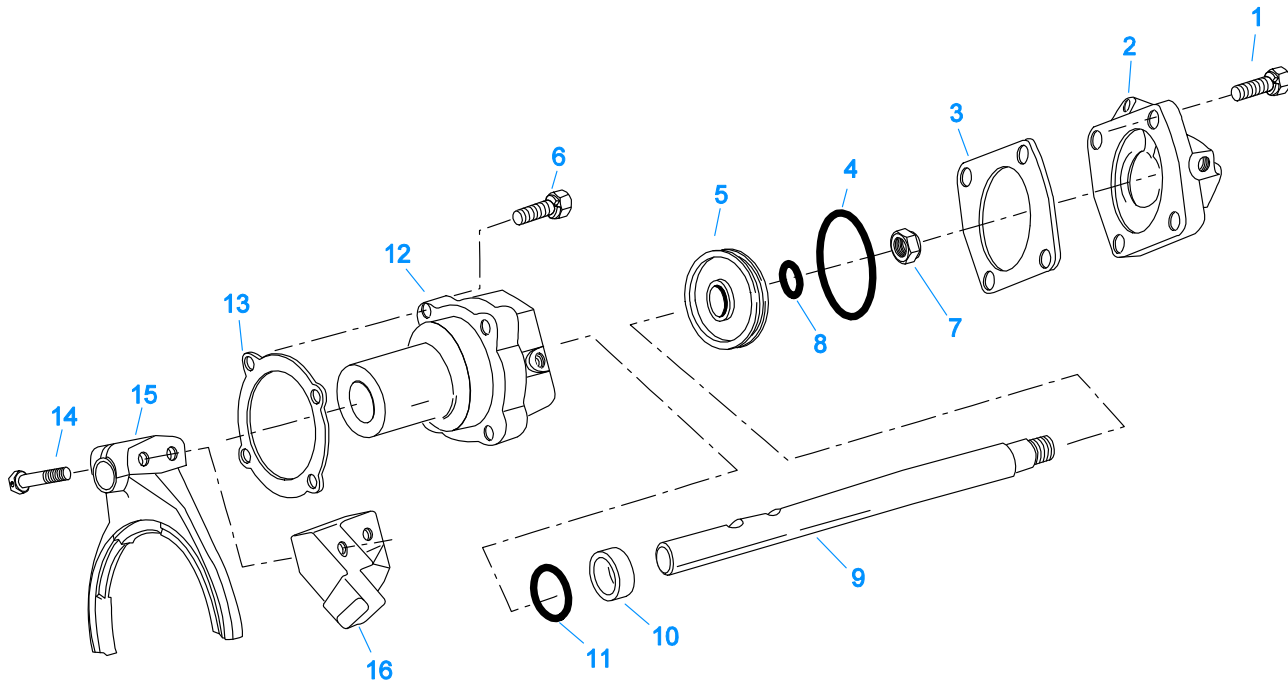
Item	Current Part	Description	Replaced Part	Qty.	Notes	Kits/Assys Where Needed
5	22427	HOSE ASSY		1		K-2621,K-2643
6	23486	CONNECTOR		1	STRAIGHT	K-2621,K-2642,K-2643
7	22424	ELBOW		1	90 DEGREE	K-2621,K-2642,K-2643,K-2644
8	22627	OIL RESTRICTOR		1		K-2621,K-2642,K-2643,K-2644
9	11665	CLAMP		1		



20541-11-93

POWER SYNCHRONIZER

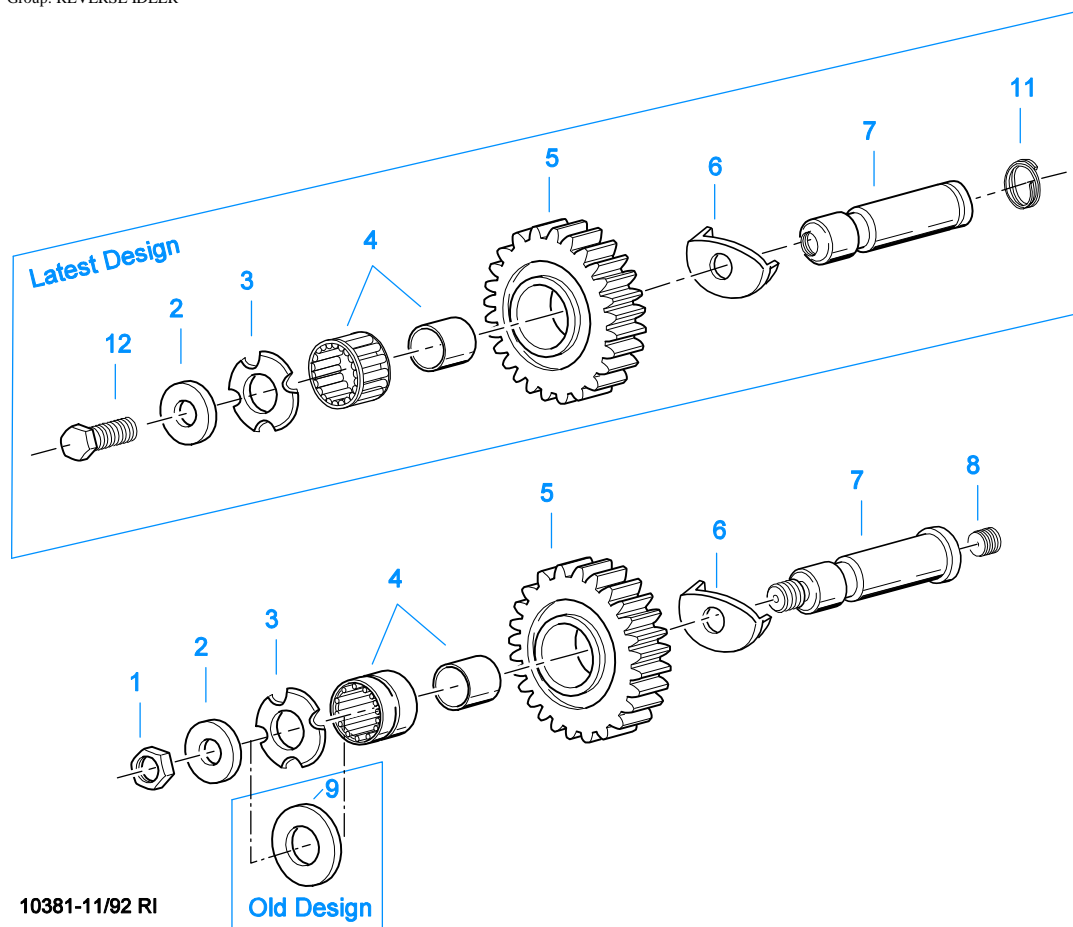
Item	Current Part	Description	Replaced Part	Qty.	Notes	Kits/Assys Where Needed
30	K-2397R	REMAN PWR SYNCHRO KIT	K - 3076	1		
31	22607	GASKET		1		K-2172,K-2397R,K-2400R
32	62525	ROLL PIN		2		
33	X-10-401	WASHER		2	9/32"	
34	X-8-413	CAPSCREW		2	1/4"-20X1-1/2"	
35	X-8L-636	CAPSCREW		7	3/8"-16X3-3/4"	
36	X-8L-621	CAPSCREW		1	3/8"-16X5"	



20536-11-93

RANGE CYLINDER

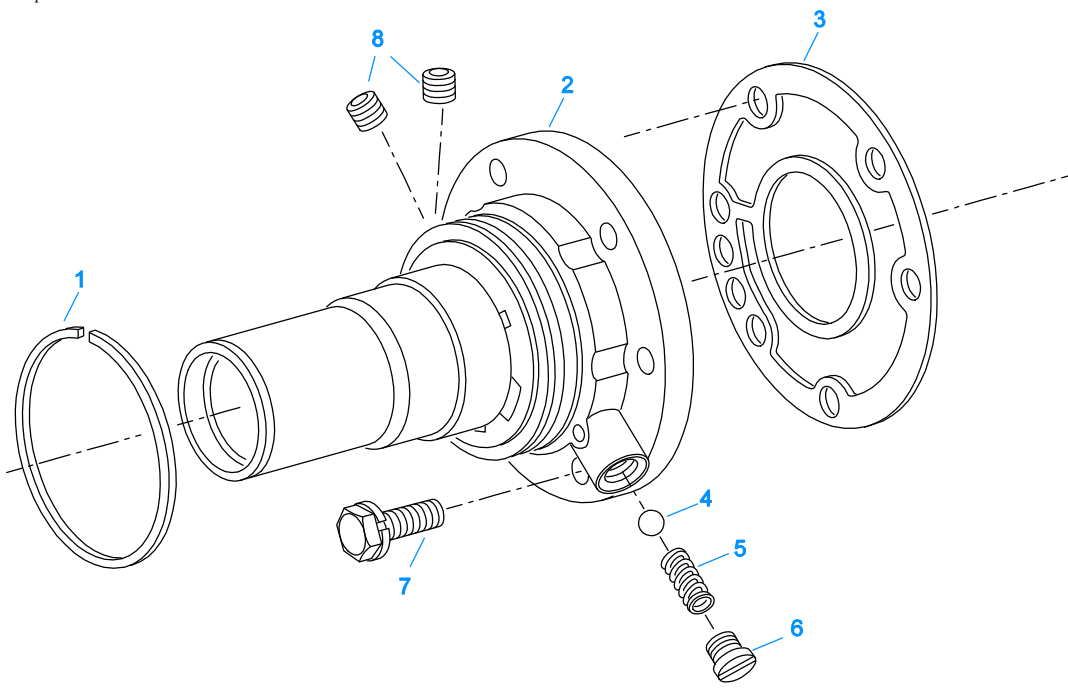
Item	Current Part	Description	Replaced Part	Qty.	Notes	Kits/Assys Where Needed
1	X-8L-604	CAPSCREW		4	3/8"-16X1-1/4"	
2	19690	CYLINDER COVER		1		
3	14349	GASKET		1		K-2172,K-2802,K-2831
4	14344	-O- RING		1		K-2802,K-2831
5	14341	PISTON	23353	1		K-2831
6	X-8L-604	CAPSCREW		4	3/8"-16X1-1/4"	
7	X-1-1010	NUT		1	5/8"-18	
8	14345	-O- RING		1		K-2802,K-2831
9	16993	YOKE BAR		1		
10	22542	BUSHING		1		A-5371
11	14765	-O- RING		1		K-2802,K-2831
12	A-5371	RANGE CYLINDER ASSY	22543	1		K-2831
13	14347	GASKET		1		K-2172,K-2802,K-2831
14	X-8-825	CAPSCREW		2	1/2"-13X2-3/8"	
15	4301642	SHIFT YOKE	22888	1		
16	22416	BRACKET		1		



10381-11/92 RI

REVERSE IDLER

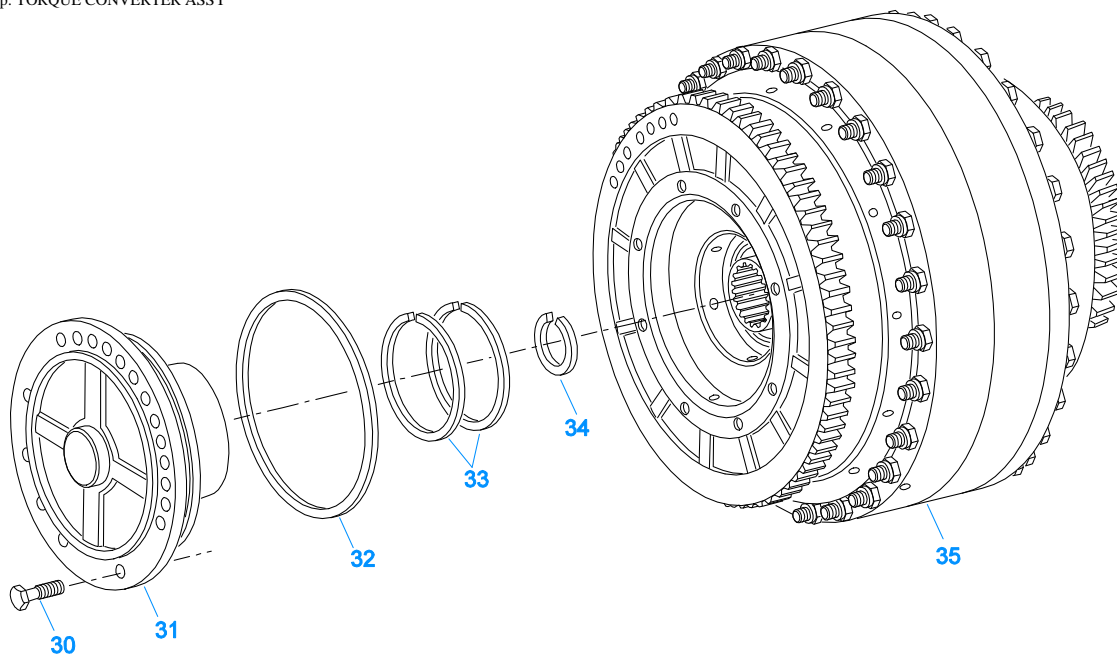
Item	Current Part	Description	Replaced Part	Qty.	Notes	Kits/Assys Where Needed
1	X-1-1008	NUT		2	5/8"-18	
2	14283	WASHER		2		K-3217
3	4302982	WASHER	14282	2		K-3217,S-1785
4	14287	BEARING	4305020	2		K-2290
5	16757	REVERSE IDLER GEAR	22409	2		
6	16403	WASHER		2		K-3217
7	K-3217	IDLER SHAFT REPL KIT	4302981	2		
8	5202	PLUG		2		
9	14282	NO LONGER AVAILABLE		2		
11	4303336	RETAINING RING		2		K-3217
12	X-7-1008	CAPSCREW		2	5/8"-18X1-1/4	



20421A-1-94

STATOR SUPPORT ASSY

Item	Current Part	Description	Replaced Part	Qty.	Notes	Kits/Assys Where Needed
1	22496	SEAL RING		1		K-2399,K-2504
2	S-1653	STATOR SUPPORT ASSY	22489	1		
3	22448	GASKET		1		K-2172,K-2504,K-2626,S-1653
4	X-14-700	STEEL BALL		1	7/16"	
5	22464	SPRING		1		S-1653
6	23616	PLUG		1		S-1653
7	X-8L-616	CAPSCREW	X 8 616	6	3/8"-16X2-3/4"	
8	X-12-208	PIPE PLUG		2	1/8" NPT	



20430-11-93

TORQUE CONVERTER ASSY

Item	Current Part	Description	Replaced Part	Qty.	Notes	Kits/Assys Where Needed
30	X-8-645	CAPSCREW	X 8 612	8	3/8"-16X1"	
31	4301426	PILOT		1		
32	22463	-O- RING		1		K-2399,K-2504
33	22497	SEAL RING		2		K-2399,K-2504
34	22429	SNAP RING		1		K-2399
35	K-2648R	REMAN 14-B CNVTR KIT	K - 3081	1		

