



**Roadranger®**

More time on the road®

# Illustrated Parts List

---

**RTOF-11909MLL**  
**July 2011**

## **Contents**

|                                                    |           |
|----------------------------------------------------|-----------|
| <b>How To Use The Illustrated Parts List .....</b> | <b>3</b>  |
| <b>AUXILIARY DRIVE GEAR.....</b>                   | <b>4</b>  |
| <b>CASE (AUX) .....</b>                            | <b>5</b>  |
| <b>CASE (FRONT) .....</b>                          | <b>7</b>  |
| <b>COMBINATION CYLINDER .....</b>                  | <b>9</b>  |
| <b>COUNTERSHAFT &amp; BRGS(AUX).....</b>           | <b>10</b> |
| <b>COUNTERSHAFT ASSY .....</b>                     | <b>11</b> |
| <b>FILTER REGULATOR.....</b>                       | <b>12</b> |
| <b>H &amp; C W/A-5000 VALVE.....</b>               | <b>13</b> |
| <b>INPUT SHAFT &amp; DRIVE GEAR .....</b>          | <b>14</b> |
| <b>INTEGRAL OIL PUMP .....</b>                     | <b>15</b> |
| <b>ISOLATORS .....</b>                             | <b>17</b> |
| <b>KITS &amp; ASSEMBLIES .....</b>                 | <b>18</b> |
| <b>LEVERS/HOUSINGS .....</b>                       | <b>20</b> |
| <b>MAINSHAFT &amp; SYNCHRO(AUX).....</b>           | <b>22</b> |
| <b>MAINSHAFT ASSY .....</b>                        | <b>23</b> |
| <b>MISCELLANEOUS .....</b>                         | <b>24</b> |
| <b>OIL COOLER.....</b>                             | <b>25</b> |
| <b>REVERSE IDLER.....</b>                          | <b>26</b> |
| <b>ROADRANGER VALVE .....</b>                      | <b>28</b> |
| <b>SHIFT BAR HOUSING .....</b>                     | <b>29</b> |
| <b>SLAVE VALVE - A-5000.....</b>                   | <b>31</b> |

## How To Use The Illustrated Parts List

The information contained in this document is subject to frequent updates. Therefore, for the latest information available, please visit the interactive Electronic Parts Catalog at [www.roadranger.com/epc](http://www.roadranger.com/epc).

### Model Designation or Nomenclature

- For information regarding Model Designation and Nomenclature, visit [www.roadranger.com](http://www.roadranger.com).

### Kits and Assemblies (K/A's)

- Kits and Assemblies contain groups of individual or assembled parts developed for optimal replacement or repair of a service problem.
- Kits and Assemblies are shown with applicable parts groupings in the parts listings.

### Identifying Kits and Assemblies

A- Part numbers beginning with the letter 'A' are pre-assembled Production Assemblies

K- Part numbers beginning with the letter 'K' are kits that are not assembled

S- Part numbers beginning with the letter 'S' are pre-assembled Service Assemblies

- Note: Some Production Assemblies do not begin with a letter prefix (Midrange only).

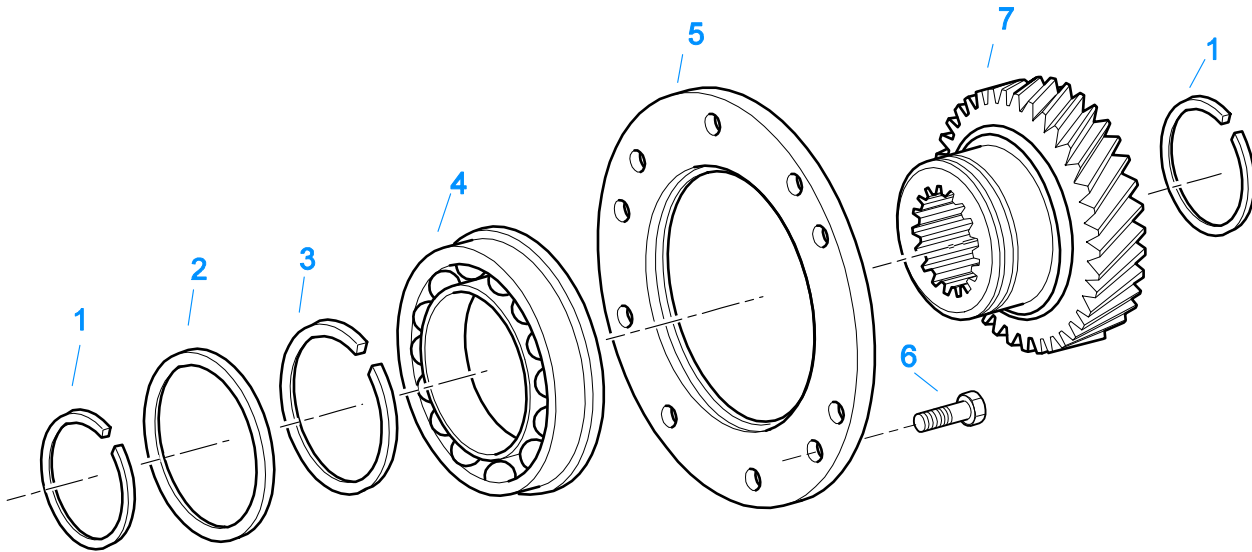
### Illustrations

- Illustrations show parts in assembly groups.
- Item numbers on illustrations correspond with parts listings on pages adjacent to the illustration.
- Notes are included on illustrations where additional information is needed.

### Parts Listing

Parts listings are defined by parts groupings and are broken down by service assemblies. Parts listings identify a part for servicing with the following categories

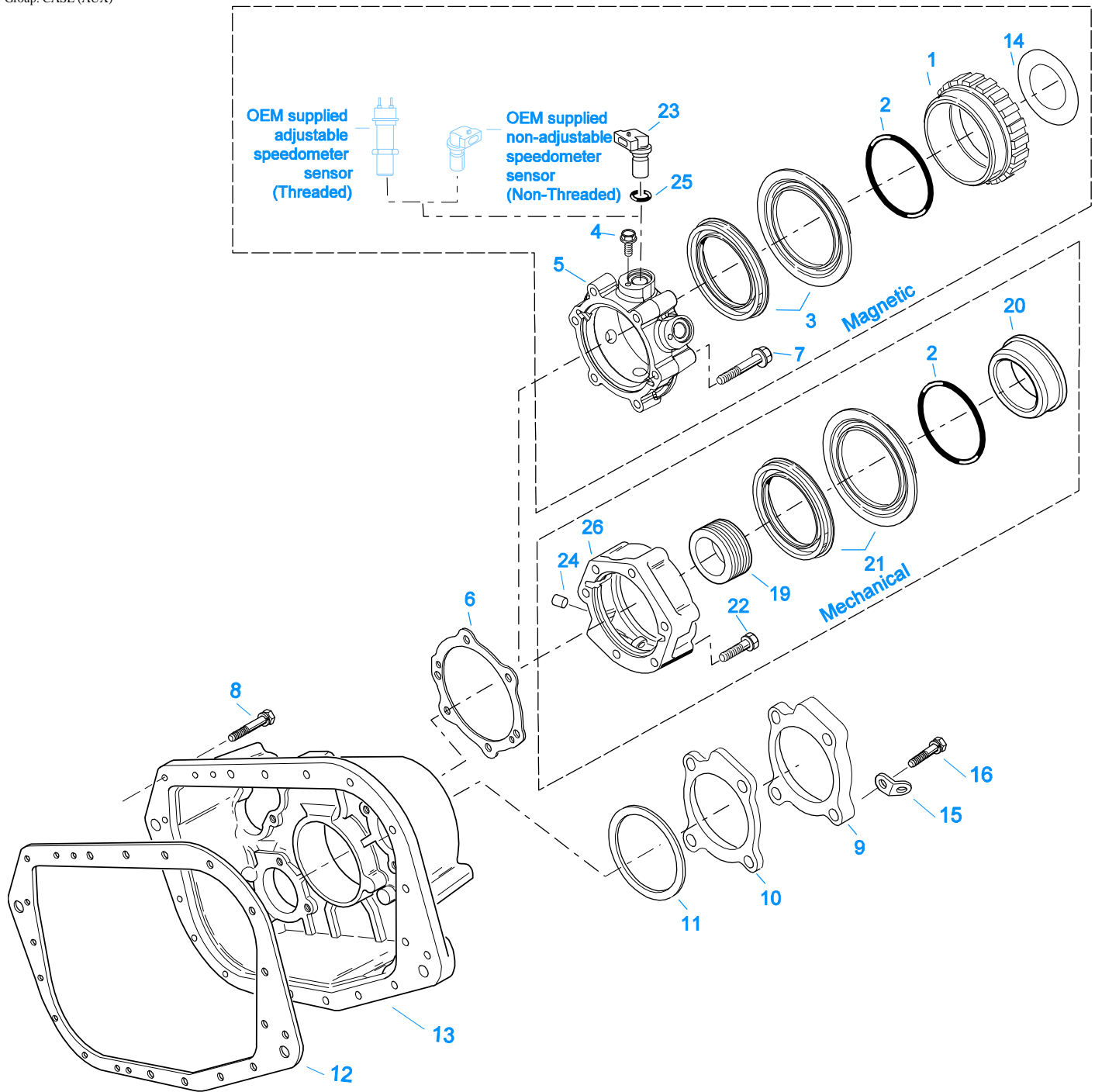
- **Item Number** - corresponding with numbers on illustrations for part identification.
- **Current Part** - identifies part as it is available for service.
- **Description** - specifies part name or description.
- **Replaced Part** - quantity quantity required for assembly.
- **Quantity** - defines unique characteristics or requirements.
- **Notes** - indicates Kits or Assemblies that contain a particular part.
- **Kits/Assy's Where Used**



10480-12/92 Aux DG

## AUXILIARY DRIVE GEAR

| Item | Current Part | Description          | Replaced Part   | Qty. | Notes      | Kits/Assys Where Needed |
|------|--------------|----------------------|-----------------|------|------------|-------------------------|
| 1    | 16763        | SNAP RING            |                 | 2    |            | K-3260,K-3282,K-3283    |
| 2    | 21320        | SNAP RING RETAINER   |                 | 1    |            |                         |
| 3    | 16628        | SNAP RING            |                 | 1    |            | K-3260                  |
| 4    | 5566507-BOX  | BEARING              | 5566504,5566507 | 1    |            | K-3282,K-3283           |
| 5    | 16138        | BEARING RETAINER     |                 | 1    |            |                         |
| 6    | X-8-645      | CAPSCREW             | X 8 612         | 6    | 3/8"-16X1" |                         |
| 7    | 23159        | AUXILIARY DRIVE GEAR | 21321           | 1    |            |                         |

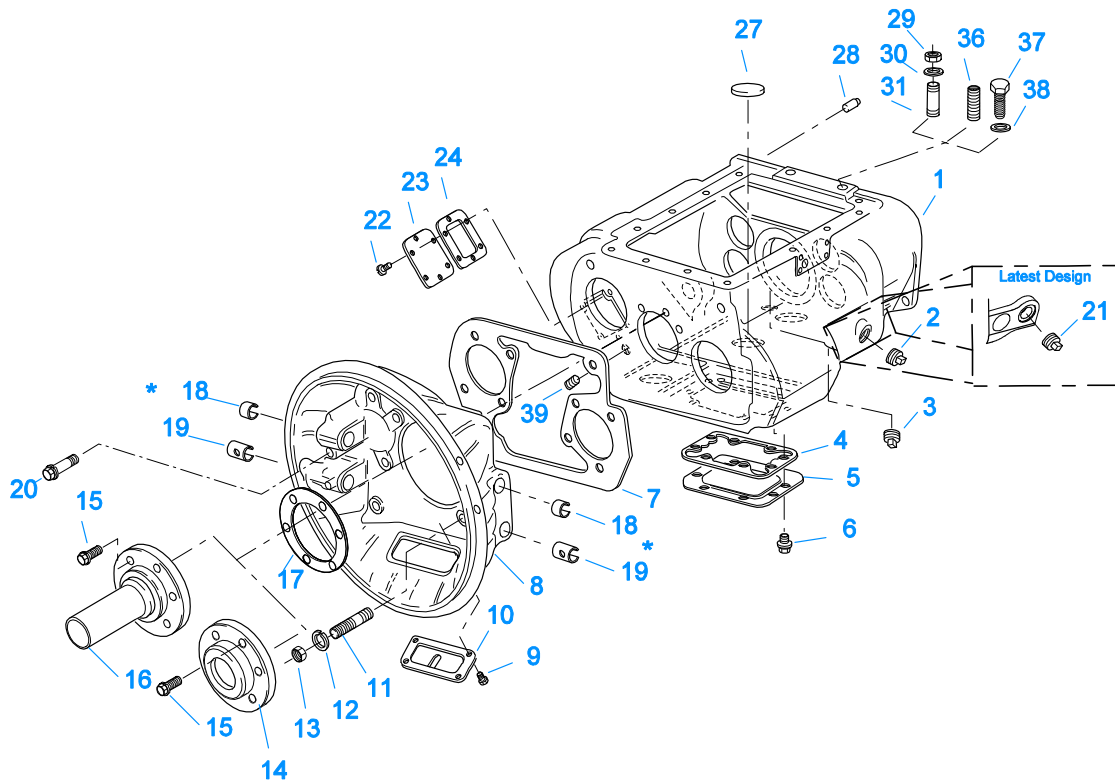


10419-2-97

**CASE (AUX)**

| Item | Current Part | Description              | Replaced Part                      | Qty. | Notes                                                  | Kits/Assys Where Needed               |
|------|--------------|--------------------------|------------------------------------|------|--------------------------------------------------------|---------------------------------------|
| 1    | S-2501       | SPEEDO ROTOR ASSY        | 4302242                            | 1    | MAGNETIC                                               |                                       |
| 2    | 5568511      | -O- RING                 |                                    | 1    |                                                        | K-2918,S-2501,S-2503,S-2809,S-2834    |
| 3    | K-2918       | OIL SEAL KIT             | 4302322 4302323                    | 1    | "FOR MAGNETIC COVER"                                   | K-3282,K-3283                         |
| 4    | X-8-0801M    | CAPSCREW                 |                                    | 2    | M8 X 1.25 X 12MM                                       |                                       |
| 5    | S-2809       | REAR BEARING COVER ASSY  | 4302332 ,4303872 ,4304652 ,4305830 | 1    | PUSH-IN/THREAD-IN MAGNETIC PICK-UP                     |                                       |
| 6    | 1009551      | GASKET - RED EDGE MOLDED |                                    | 1    | RED EDGE MOLDED GASKET - UNCOMPRESSED THICKNESS .043 - | K-2061,K-2262,K-2918,S-2502,S-2809,S- |

| Item | Current Part | Description                    | Replaced Part       | Qty. | Notes                                                                                                             | Kits/Assys Where Needed |
|------|--------------|--------------------------------|---------------------|------|-------------------------------------------------------------------------------------------------------------------|-------------------------|
|      |              |                                |                     |      | .051 - NOT INTERCHANGEABLE<br>WITH ANY OTHER GASKET                                                               | 2859                    |
| 6    | 4302247      | GASKET - PURPLE EDGE<br>MOLDED |                     | 1    | NON EDGE MOLDED GASKET -<br>UNCOMPRESSED THICKNESS - .013<br>- .018 - NOT INTERCHANGABLE<br>WITH ANY OTHER GASKET | K-2061,K-2262,K-2918    |
| 7    | X-8L-611     | CAPSCREW                       |                     | 4    | 3/8"-16X3-1/4"                                                                                                    |                         |
| 7    | X-8L-614     | CAPSCREW                       |                     | 2    | 3/8"-16X2"                                                                                                        |                         |
| 7    | X-8L-614     | CAPSCREW                       |                     | 6    | 3/8"-16X2" USE W/4303872 RBC                                                                                      |                         |
| 8    | X-8L-602     | CAPSCREW                       |                     | 17   | 3/8"-16X1-1/2"                                                                                                    |                         |
| 8    | X-8L-614     | CAPSCREW                       |                     | 2    | 3/8"-16X2"                                                                                                        |                         |
| 9    | 4302320      | COVER                          | 21346               | 2    |                                                                                                                   | S-2834                  |
| 10   | 4305978      | GASKET                         | 4302246             | 2    |                                                                                                                   | K-2061,S-2834           |
| 11   | K-2805       | SHIM KIT                       | 21452 K - 2106      | 1    |                                                                                                                   | K-3282,K-3283,S-2834    |
| 12   | 14335        | GASKET                         |                     | 1    |                                                                                                                   | K-2061,S-2834           |
| 13   | 4303353      | REAR HOUSING                   | 4303354             | 1    |                                                                                                                   |                         |
| 14   | 4304653      | SHIELD                         |                     | 1    |                                                                                                                   | S-2809                  |
| 15   | 20815        | LIFTING EYE                    | 17105               | 2    |                                                                                                                   | S-2834                  |
| 16   | X-8L-604     | CAPSCREW                       |                     | 8    | 3/8"-16X1-1/4"                                                                                                    |                         |
| 19   | 86104        | SPEEDO DRIVE GEAR              |                     | 1    |                                                                                                                   |                         |
| 20   | S-2503       | SPEEDO SPACER ASSY             | 4302590             | 1    | MECHANICAL                                                                                                        |                         |
| 21   | K-2262       | OIL SEAL W/SLINGER             | 19109 ,20807 ,20808 | 1    | "FOR MECHANICAL COVER"                                                                                            |                         |
| 22   | X-8L-616     | CAPSCREW                       | X 8 616             | 6    | 3/8"-16X2-3/4"                                                                                                    |                         |
| 23   | K-3454       | SPEED SENSOR KIT               | A - 6398 ,A - 6724  | 1    | SINGLE PICK-UP (2 PIN)                                                                                            |                         |
| 23   | K-3455       | SPEED SENSOR KIT,<br>DUAL      | A - 7046 ,A - 7518  | 1    | DUAL PICK-UP (4 PIN)                                                                                              |                         |
| 24   | 7992         | BUSHING                        |                     | 1    |                                                                                                                   | S-2502,S-2859           |
| 25   | 14142        | -O- RING                       |                     | 1    |                                                                                                                   |                         |
| 26   | S-2502       | REAR BRG COVER ASSY            | 4303604 ,4305827    | 1    | MECHANICAL - 4:00 OPENING                                                                                         |                         |
| 26   | S-2859       | REAR BRG COVER ASSY            | 4302732 ,4305826    | 1    | MECHANICAL - 6:00 OPENING                                                                                         |                         |



**10300-6-92 Iron/Alum Hsg**

\* Bushing quantity requirements: #1 Housing – Upper bore use 4 #12815 / Lower bore use 2 #8677.

#2 Housing – Upper bore use 2 #12815 and 1 #8677 / Lower bore use 2 #8677.

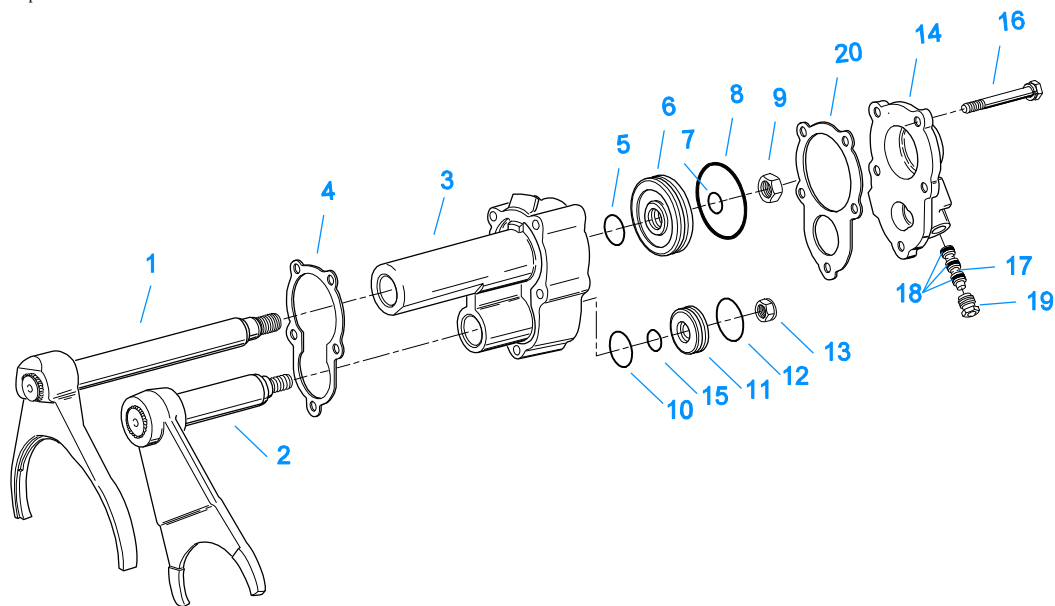
**Note: Some part requirements are specific to #1 or #2 Aluminum or Iron Clutch Housings and Push or Pull type Clutch.**

**CASE (FRONT)**

| Item | Current Part | Description           | Replaced Part                                    | Qty. | Notes                                    | Kits/Assys Where Needed |
|------|--------------|-----------------------|--------------------------------------------------|------|------------------------------------------|-------------------------|
| 1    | S-2209       | CASE ASSY             | 21318 ,4302518                                   | 1    |                                          |                         |
| 1    | S-2210       | CASE ASSY             | 4302440                                          | 1    | FOR USE W/INTEGRAL PUMP                  |                         |
| 2    | X-12-2007    | PIPE PLUG             | X12 2006                                         | 1    |                                          |                         |
| 3    | X-12-1207    | PIPE PLUG             | X12 1202 ,X12 1206                               | 1    | 3/4" MAGNETIC                            |                         |
| 4    | 4305310      | GASKET                | 4302810                                          | 1    |                                          | K-2061                  |
| 5    | 4302809      | PTO COVER             | 16596 ,4300571                                   | 1    |                                          |                         |
| 6    | X-8-725      | CAPSCREW              | X 8 724                                          | 8    | 7/16"-14X7/8"                            |                         |
| 7    | 4306584      | CLUTCH HOUSING GASKET | 4304815,4305668                                  | 1    |                                          | K-2061                  |
| 8    | A-3713       | CLUTCH HOUSING ASSY   | A - 3700                                         | 1    | #1 PUSH-PULL IRON                        |                         |
| 8    | A-3723       | CLUTCH HOUSING ASSY   | A - 3721 ,A - 3722                               | 1    | #2 PUSH-PULL IRON                        |                         |
| 8    | A-4772       | CLUTCH HOUSING ASSY   | A - 4344 ,A - 4771                               | 1    | #2 PUSH-PULL ALUM.                       |                         |
| 8    | A-5992       | CLUTCH HOUSING ASSY   | 4301103                                          | 1    | #1 PULL ALUM.(SPECIAL-LIGHTER WEIGHT)    |                         |
| 8    | A-6064       | CLUTCH HOUSING ASSY   | A - 4342 ,A - 4770 ,A - 6062 ,A - 6063 ,A - 6065 | 1    | #1 PUSH-PULL ALUM.                       |                         |
| 9    | 239614       | SCREW                 | X-8L-509                                         | 4    | 5/16-18X.81 QUANTITY DEPENDENT ON DESIGN |                         |
| 10   | 14506        | HAND HOLE COVER       |                                                  | 1    | #2 PUSH                                  |                         |
| 10   | 14507        | HAND HOLE COVER       |                                                  | 1    | #2 PULL                                  |                         |
| 10   | 4305230      | HAND HOLE COVER       | 11453                                            | 1    | #1 PULL                                  |                         |
| 10   | 4305231      | HAND HOLE COVER       | 1565                                             | 1    | #1 PUSH                                  |                         |
| 11   | 4306583      | STUD                  | 5966                                             | 6    |                                          |                         |
| 12   | X-10-1005    | WASHER                | X 3 1000 ,X10 1000 ,X10 1004                     | 6    | 1.23 X 6.60                              |                         |
| 13   | X-1-1012     | HEX NUT               | X-1-1005                                         | 6    | .625-18                                  |                         |
| 14   | 20550        | FRONT BEARING COVER   |                                                  | 1    | 2" PULL                                  | K-2468,K-4125           |
| 15   | X-8L-604     | CAPSCREW              |                                                  | 6    | 3/8"-16X1-1/4"                           |                         |
| 16   | 20549        | FRONT BEARING COVER   |                                                  | 1    | 2" PUSH                                  |                         |
| 17   | 14311        | GASKET                |                                                  | 1    |                                          | K-2061                  |

| Item | Current Part | Description                | Replaced Part                | Qty. | Notes                                                                       | Kits/Assys Where Needed                   |
|------|--------------|----------------------------|------------------------------|------|-----------------------------------------------------------------------------|-------------------------------------------|
| 18   | 12815        | BUSHING                    |                              | 4    | FOR #1 HOUSING UPPER                                                        | A-3713,A-3723,A-4772,A-5992,A-6064,K-2468 |
| 18   | 12815        | BUSHING                    |                              | 2    | FOR #2 HOUSING UPPER                                                        | A-3713,A-3723,A-4772,A-5992,A-6064,K-2468 |
| 18   | 8677         | BUSHING                    |                              | 1    | FOR #2 HOUSING UPPER                                                        | A-3713,A-3723,A-4772,A-6064               |
| 19   | 8677         | BUSHING                    |                              | 2    | FOR #1 AND #2 HOUSING LOWER                                                 | A-3713,A-3723,A-4772,A-6064               |
| 20   | X-8C-830     | HEX HEAD SCREW/WASHER ASSY | X-8C-826                     | 4    | .500-13 X 1.490, USE 2 PCS FOR IRON HOUSING, USE 4 PCS FOR ALUMINUM HOUSING |                                           |
| 20   | X-8C-831     | HEX HEAD SCREW/WASHER ASSY | X-8C-822                     | 2    | .500-13 X 3.460, FOR IRON HOUSING                                           |                                           |
| 21   | 4304023      | PLUG                       | 4303747                      | 1    | 1-1/16" MAGNETIC, O-RING INCLUDED                                           | S-2209,S-2210                             |
| 22   | X-8-686      | CAPSCREW                   |                              | 6    | 3/8"-16X3/4"                                                                |                                           |
| 23   | 14575        | PTO COVER                  | 4302254                      | 1    |                                                                             |                                           |
| 24   | 4305309      | GASKET                     | 1684                         | 1    |                                                                             | K-2061                                    |
| 27   | 14373        | MAGNET                     |                              | 3    |                                                                             | S-2209,S-2210                             |
| 28   | 18128        | PIN                        |                              | 2    |                                                                             |                                           |
| 29   | X-1-1012     | HEX NUT                    |                              | 2    | .625-18                                                                     |                                           |
| 30   | X-10-1005    | WASHER                     | X 3 1000 ,X10 1000 ,X10 1004 | 2    | 1.23 X 6.60                                                                 |                                           |
| 31   | 14554        | STUD                       | 1632 ,6579                   | 2    | 5/8" X 2-3/16"                                                              |                                           |
| 36   | 23104        | PLUG                       | 1712                         | 2    |                                                                             |                                           |
| 37   | X-8-1005     | CAPSCREW                   |                              | 2    | 5/8"-11X1-1/4"                                                              |                                           |
| 38   | 20814        | SPACER                     |                              | 2    |                                                                             |                                           |
| 39   | X-12-802     | PIPE PLUG                  | X12 800                      | 1    | 1/2"                                                                        |                                           |

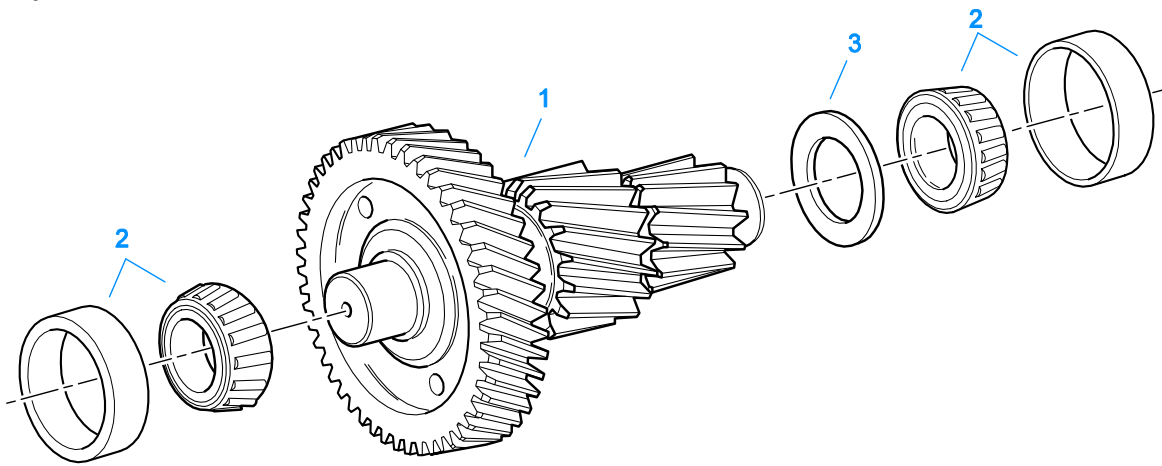




10475-4-92 CMB CYL

**COMBINATION CYLINDER**

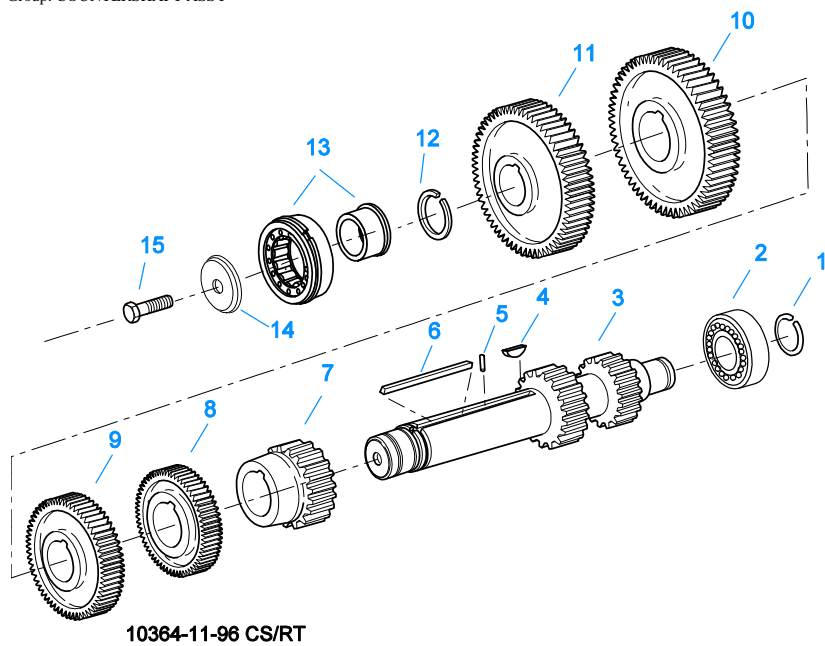
| Item | Current Part | Description    | Replaced Part  | Qty. | Notes          | Kits/Assys Where Needed     |
|------|--------------|----------------|----------------|------|----------------|-----------------------------|
| 1    | A-5159       | YOKE ASSY      | 21333          | 1    | RANGE          |                             |
| 2    | A-5160       | YOKE ASSY      | 21335          | 1    | REDUCTION      |                             |
| 3    | 21330        | CYLINDER       |                | 1    |                | K-2853                      |
| 4    | 21332        | GASKET         |                | 1    |                | K-2061,K-2846,K-2853        |
| 5    | 14765        | -O- RING       |                | 1    |                | K-2846,K-2853               |
| 6    | 14341        | PISTON         | 23353          | 1    |                | K-2853                      |
| 7    | 14345        | -O- RING       |                | 1    |                | K-2846,K-2853               |
| 8    | 14344        | -O- RING       |                | 1    |                | K-2846,K-2853               |
| 9    | X-1-1010     | NUT            |                | 1    | 5/8"-18        |                             |
| 10   | 14644        | -O- RING       |                | 1    |                | K-2846,K-2853               |
| 11   | K-2427       | PISTON KIT     | 21337 ,4301320 | 1    |                |                             |
| 12   | 20423        | -O- RING       |                | 1    |                | K-2846,K-2853               |
| 13   | X-1-803      | NUT            |                | 1    | 1/2"-20        |                             |
| 14   | 21329        | CYLINDER COVER |                | 1    |                |                             |
| 15   | 4301348      | -O- RING       |                | 1    |                | K-2427,K-2846,K-2853        |
| 16   | X-8L-631     | CAPSCREW       | X 8 631        | 5    | 3/8"-16X3-1/2" |                             |
| 17   | 19974        | INSERT VALVE   | 15512 4303616  | 1    |                | K-3282,K-3283               |
| 18   | 13653        | -O- RING       |                | 3    |                |                             |
| 19   | 15719        | PLUG           |                | 1    |                |                             |
| 20   | 21331        | GASKET         |                | 1    |                | K-2061,K-2427,K-2846,K-2853 |



10445-12-93 AUXCS

**COUNTERSHAFT & BRGS(AUX)**

| Item | Current Part | Description              | Replaced Part      | Qty. | Notes                     | Kits/Assys Where Needed |
|------|--------------|--------------------------|--------------------|------|---------------------------|-------------------------|
| 1    | A-6844       | WELDED COUNTERSHAFT ASSY | A - 6431 ,A - 6842 | 2    | D/G 4303938 - C/S 4303936 |                         |
| 2    | 4302074-BOX  | BEARING                  | 21343,4302074      | 4    |                           | K-3282,K-3283           |
| 3    | 21342        | SPACER                   |                    | 2    |                           |                         |



## COUNTERSHAFT ASSY

| Item | Current Part | Description         | Replaced Part   | Qty. | Notes          | Kits/Assys Where Needed |
|------|--------------|---------------------|-----------------|------|----------------|-------------------------|
| 1    | 14317        | SNAP RING           |                 | 2    |                | K-3260,K-3282,K-3283    |
| 2    | 14366        | BEARING             |                 | 2    |                | K-3282,K-3283           |
| 3    | K-2945       | CNTRSHFT W/REV & LO | 4302450,K-2946  | 2    |                |                         |
| 4    | X-6-E        | KEY                 |                 | 2    |                |                         |
| 5    | 62511        | ROLL PIN            |                 | 2    |                |                         |
| 6    | 4304840      | KEY                 | 19673           | 2    |                |                         |
| 7    | 21025        | 1ST GEAR-CNTRSHFT   | 19629           | 2    |                |                         |
| 8    | 21264        | 2ND GEAR-CNTRSHFT   | 19623           | 2    |                |                         |
| 9    | 21262        | OD GEAR-CNTRSHFT    |                 | 2    |                |                         |
| 10   | 15953        | PTO GEAR - LOWER    |                 | 1    |                |                         |
| 10   | 20840        | PTO GEAR - UPPER    |                 | 1    |                |                         |
| 11   | 4305665      | DRIVE GEAR-CNTRSHFT | 21018,4305069   | 2    |                |                         |
| 12   | 19198        | SNAP RING           |                 | 2    |                | K-3260                  |
| 13   | 4304599      | BEARING             | 4302677 4304598 | 2    |                | K-3282,K-3283           |
| 14   | 4304605      | RETAINER            | 19548           | 2    |                |                         |
| 15   | X-7-1005     | CAPSCREW            |                 | 2    | 5/8"-18X1-3/4" |                         |

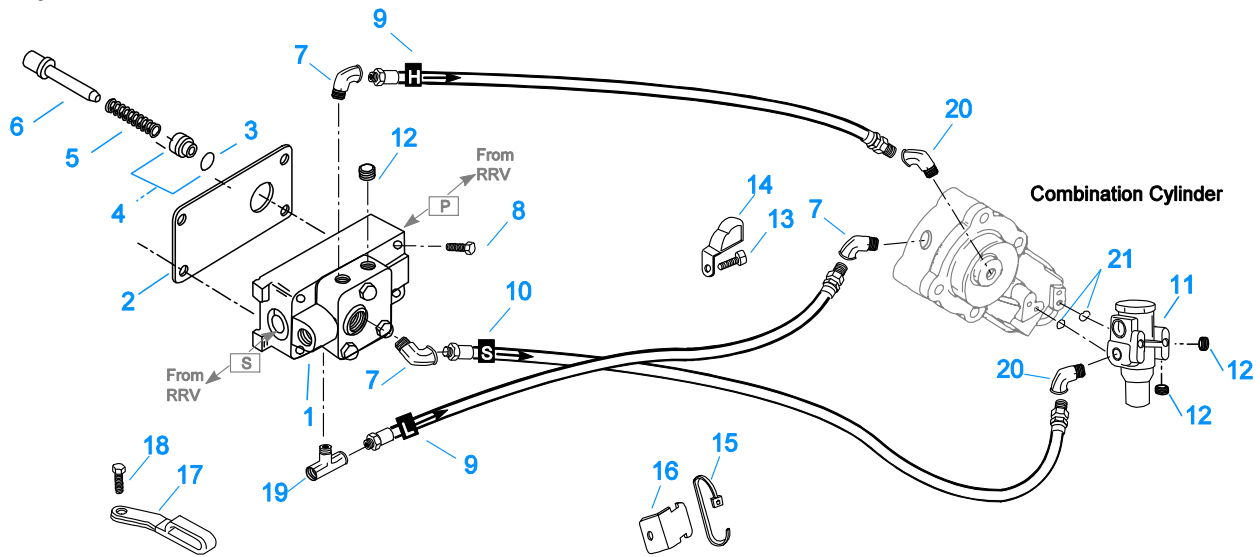
Group: FILTER REGULATOR



## FILTER REGULATOR

| Item | Current Part | Description          | Replaced Part | Qty. | Notes                | Kits/Assys Where Needed |
|------|--------------|----------------------|---------------|------|----------------------|-------------------------|
| 1    | K-2170       | FILTER REG KIT       | A - 5454      | 1    |                      |                         |
| 2    | K-1698       | -O- RING/ELEMENT KIT |               | 1    | FOR FILTER REGULATOR |                         |
| 3    | X-8C-412     | CAPSCREW             | X 8S 412      | 2    | 1/4"-20X2-1/4"       |                         |

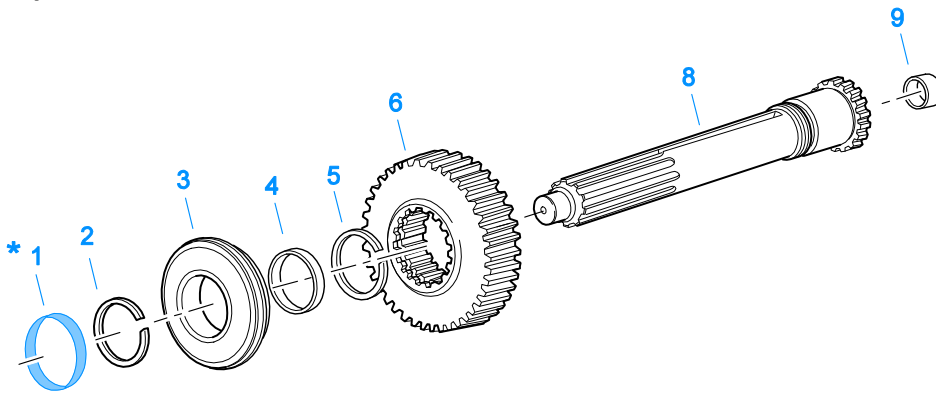
Group: H & C W/A-5000 VALVE



10110H-11-93 A-5000 HC

### H & C W/A-5000 VALVE

| Item | Current Part | Description      | Replaced Part       | Qty. | Notes            | Kits/Assys Where Needed     |
|------|--------------|------------------|---------------------|------|------------------|-----------------------------|
| 1    | A-5000       | SLAVE VALVE ASSY | 20850               | 1    |                  |                             |
| 2    | 19481        | GASKET           |                     | 1    |                  | K-2061                      |
| 3    | 19462        | -O- RING         | 14033               | 1    |                  | K-1969                      |
| 4    | K-1969       | SLEEVE KIT       | 14362 ,19460 ,21446 | 1    | FOR SLAVE VALVES |                             |
| 5    | 21268        | SPRING           | 19572               | 1    |                  |                             |
| 6    | 20490        | PIN              | 19459               | 1    |                  |                             |
| 7    | 12845        | ELBOW            |                     | 3    | 1/8"             |                             |
| 8    | X-8C-411     | CAPSCREW         |                     | 4    | 1/4"-20X1-3/4"   |                             |
| 9    | 55509        | HOSE ASSY        |                     | 2    | 34"              |                             |
| 10   | 55528        | HOSE ASSY        |                     | 1    | 36"              |                             |
| 11   | K-2170       | FILTER REG KIT   | A - 5454            | 1    |                  |                             |
| 12   | X-12-208     | PIPE PLUG        |                     | 3    | 1/8" NPT         |                             |
| 13   | X-8L-600     | CAPSCREW         |                     | 1    | 3/8"-16X1"       |                             |
| 14   | 21427        | HOSE CLAMP       |                     | 1    |                  |                             |
| 15   | 21425        | STRAP            |                     | 1    |                  |                             |
| 16   | 21426        | BRACKET          |                     | 1    |                  |                             |
| 17   | 21428        | HOSE CLAMP       |                     | 1    |                  |                             |
| 18   | X-8L-604     | CAPSCREW         |                     | 1    | 3/8"-16X1-1/4"   |                             |
| 19   | 21086        | BRANCH TEE       |                     | 1    | 1/8"             |                             |
| 20   | 12880        | ELBOW            |                     | 2    | 1/8"             |                             |
| 21   | 15114        | -O- RING         |                     | 2    |                  | A-5000,K-1935,K-2170,K-2846 |



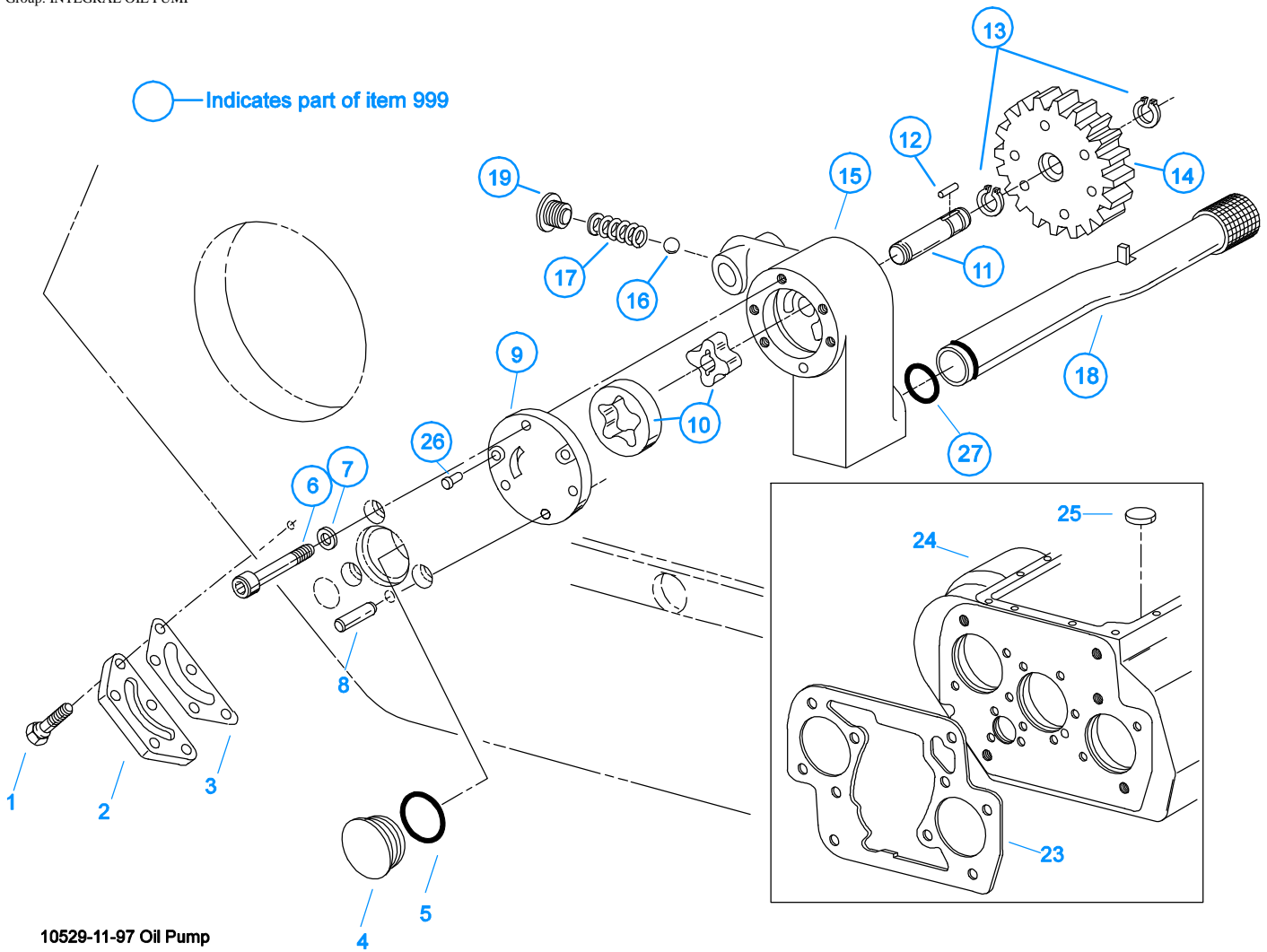
\* For Shipping Only -- Do Not Replace

\*

10370-1/92 IS

### INPUT SHAFT & DRIVE GEAR

| Item | Current Part | Description     | Replaced Part | Qty. | Notes                | Kits/Assys Where Needed            |
|------|--------------|-----------------|---------------|------|----------------------|------------------------------------|
| 1    | 23559        | SHIPPING SEAL   |               | 1    | NOT SOLD FOR SERVICE |                                    |
| 2    | 16980        | SNAP RING       |               | 1    |                      | K-2468,K-3260,K-3282,K-4125        |
| 3    | 81504        | BEARING         |               | 1    |                      | K-2468,K-3282,K-4125               |
| 4    | 16463        | SPACER          |               | 1    |                      |                                    |
| 5    | 14750        | SNAP RING       |               | 1    |                      | K-2468,K-3260,K-3282,K-3283,K-4125 |
| 6    | 22961        | MAIN DRIVE GEAR | 22959         | 1    |                      |                                    |
| 8    | S-1659       | INPUT SHAFT     | 23566         | 1    | 2" PULL              | K-2468,K-3282,K-4125               |
| 8    | S-1660       | INPUT SHAFT     | 23567         | 1    | 2" PUSH              |                                    |
| 9    | 16566        | BUSHING         |               | 1    |                      | K-3283,S-1659,S-1660               |

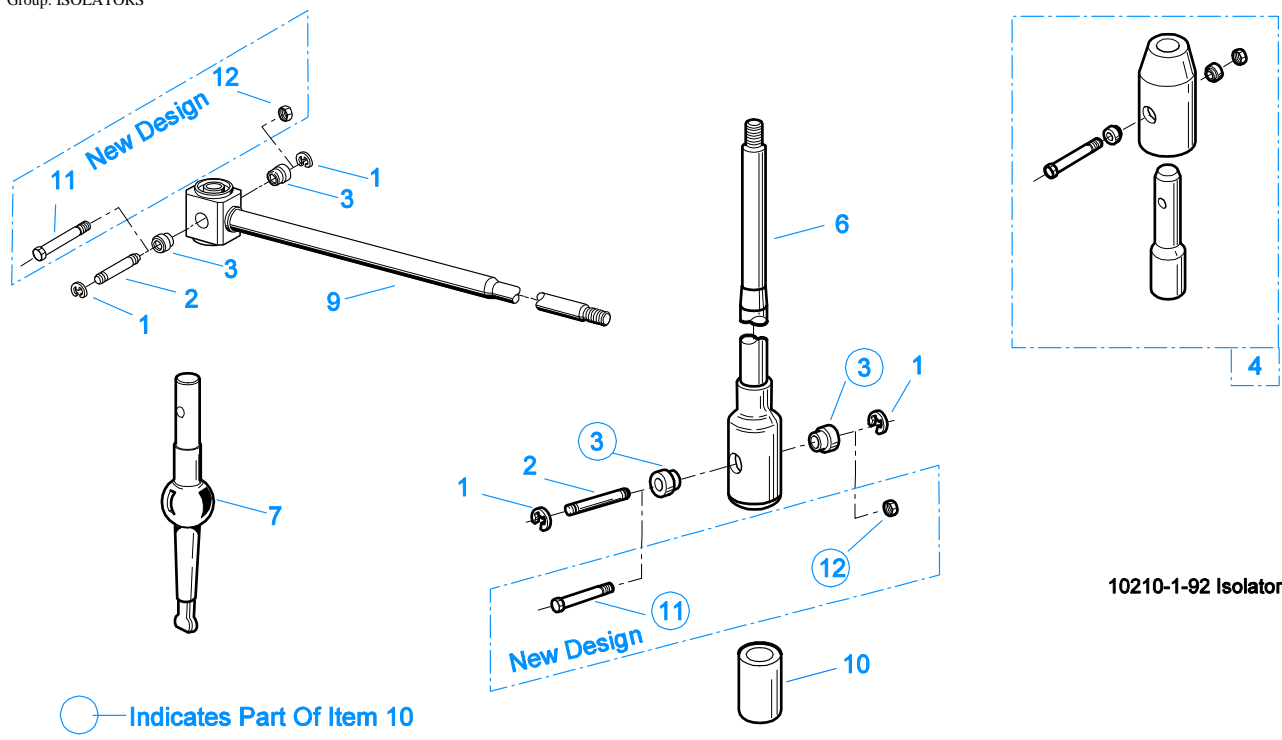


## INTEGRAL OIL PUMP

| Item | Current Part | Description       | Replaced Part                                                        | Qty. | Notes          | Kits/Assys Where Needed |
|------|--------------|-------------------|----------------------------------------------------------------------|------|----------------|-------------------------|
| 1    | X-8C-409     | CAPSCREW          |                                                                      | 5    | 1/4"-20X5/8"   |                         |
| 2    | K-2402       | COVER & SCREW KIT | 20513 ,4300751                                                       | 1    |                |                         |
| 3    | 20514        | GASKET            |                                                                      | 1    |                | K-2061,K-2402           |
| 4    | 20823        | PLUG              |                                                                      | 1    |                |                         |
| 5    | 14765        | -O- RING          |                                                                      | 1    |                | K-2846,K-2853           |
| 6    | X-8-448      | SCREW             | X 8 445                                                              | 3    | 1/4"-20X1-1/4" |                         |
| 7    | 20824        | WASHER            |                                                                      | 3    |                | K-3367                  |
| 8    | 20825        | DOWEL PIN         |                                                                      | 1    |                |                         |
| 9    | 4303773      | RETAINER          |                                                                      | 1    |                |                         |
| 10   | K-3367       | OIL PUMP KIT      | 4301829 ,4301948<br>,4303776 ,4304529<br>,4304572 A - 6963 ,A - 7173 | 1    |                |                         |
| 11   | K-3367       | OIL PUMP KIT      | 4301829 ,4301948<br>,4303776 ,4304529<br>,4304572 A - 6963 ,A - 7173 | 1    |                |                         |
| 12   | 20509        | KEY               |                                                                      | 1    |                |                         |
| 13   | 14853        | SNAP RING         |                                                                      | 2    |                |                         |
| 14   | 4303774      | PUMP DRIVE GEAR   | 4304880                                                              | 1    |                |                         |
| 15   | K-3367       | OIL PUMP KIT      | 4301829 ,4301948<br>,4303776 ,4304529<br>,4304572 A - 6963 ,A - 7173 | 1    |                |                         |
| 16   | X-14-700     | STEEL BALL        |                                                                      | 1    | 7/16"          |                         |

| Item | Current Part | Description           | Replaced Part                                                           | Qty. | Notes                           | Kits/Assys Where Needed |
|------|--------------|-----------------------|-------------------------------------------------------------------------|------|---------------------------------|-------------------------|
| 17   | 4303775      | SPRING                |                                                                         | 1    |                                 |                         |
| 18   | 4305713      | SUCTION TUBE          | 4304628                                                                 | 1    | O-RING INCLUDED ON SUCTION TUBE | K-3367                  |
| 19   | 4304629      | PLUG                  |                                                                         | 1    |                                 |                         |
| 23   | 4306584      | CLUTCH HOUSING GASKET | 4304815,4305668                                                         | 1    |                                 | K-2061                  |
| 24   | S-2210       | CASE ASSY             | 4302440                                                                 | 1    | FOR USE W/INTEGRAL PUMP         |                         |
| 25   | 14373        | MAGNET                |                                                                         | 3    |                                 | S-2209,S-2210           |
| 26   | X-8-447      | SCREW                 |                                                                         | 2    |                                 |                         |
| 27   | 20225        | -O- RING              |                                                                         | 1    |                                 |                         |
| 999  | K-3367       | OIL PUMP KIT          | 4301829 ,4301948<br>,4303776 ,4304529<br>,4304572 A - 6963 ,A -<br>7173 | 1    |                                 |                         |





10210-1-92 Isolator

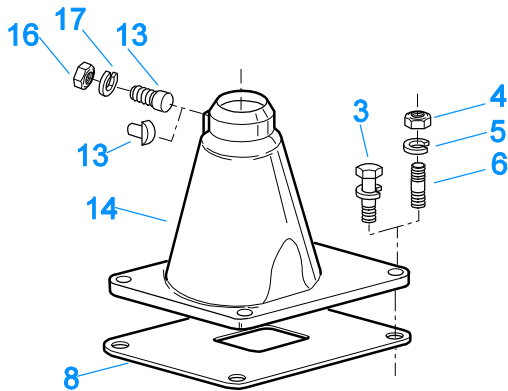
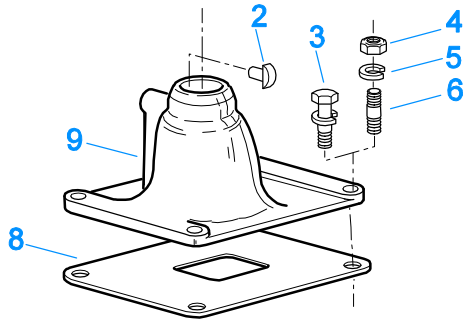
## ISOLATORS

| Item | Current Part | Description          | Replaced Part | Qty. | Notes           | Kits/Assys Where Needed                                 |
|------|--------------|----------------------|---------------|------|-----------------|---------------------------------------------------------|
| 1    | 19124        | -E- RING             |               | 2    |                 |                                                         |
| 2    | K-3467       | PIN REPLACEMENT KIT  | 21245         | 1    |                 |                                                         |
| 3    | 21246        | BUSHING              |               | 2    |                 | K-2003,K-2428,K-2429,K-2978,K-3399,S-2129,S-2130,S-2519 |
| 4    | S-1794       | ISOLATOR ASSY        |               | 1    |                 |                                                         |
| 6    | 21247        | LEVER                |               | 1    | STRAIGHT 18.67" |                                                         |
| 7    | 21235        | STUB LEVER           |               | 1    | LOW TOWER       | K-2428,S-1677                                           |
| 7    | 21236        | STUB LEVER           |               | 1    | HIGH TOWER      | K-2429,S-1579,S-2130                                    |
| 7    | 4301168      | STUB LEVER           |               | 1    | MID TOWER       | K-2978                                                  |
| 9    | 21767        | 90 DEG LEVER         |               | 1    | STRAIGHT 33"    |                                                         |
| 10   | K-3399       | ISOLATOR BUSHING KIT | 21244 ,23311  | 1    |                 |                                                         |
| 11   | X-8-560      | SCREW                |               | 1    |                 |                                                         |
| 12   | X-9-503      | NUT                  |               | 1    |                 |                                                         |

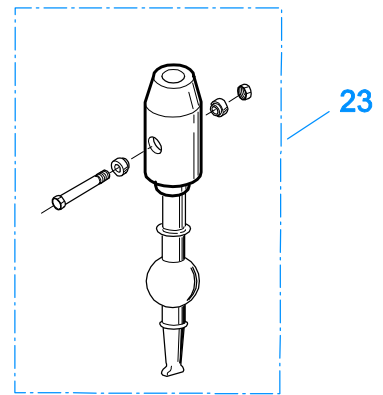
## KITS & ASSEMBLIES

| Item   | Current Part | Description                                     | Replaced Part                                                        | Qty. | Notes                                                              | Kits/Assys Where Needed |
|--------|--------------|-------------------------------------------------|----------------------------------------------------------------------|------|--------------------------------------------------------------------|-------------------------|
| K-1476 |              | SHIFT LEVER HSG                                 | 4530 ,17163 ,18298<br>,4304905 ,A - 4437                             | 1    | LOW TOWER                                                          |                         |
| K-1698 |              | -O- RING/ELEMENT KIT                            |                                                                      | 1    | FOR FILTER REGULATOR                                               |                         |
| K-1935 |              | REPAIR KIT-SLAVE VALVE                          |                                                                      | 1    | FOR A-5000 VALVE                                                   |                         |
| K-1956 |              | COOLER INSTLN KIT                               |                                                                      | 1    |                                                                    |                         |
| K-1969 |              | SLEEVE KIT                                      | 21446                                                                | 1    | FOR SLAVE VALVES                                                   |                         |
| K-2003 |              | PIN & BUSHING KIT                               |                                                                      | 1    |                                                                    |                         |
| K-2061 |              | GASKET KIT                                      |                                                                      | 1    |                                                                    | K-3282,K-3283           |
| K-2170 |              | FILTER REG KIT                                  | A - 5454                                                             | 1    |                                                                    |                         |
| K-2262 |              | OIL SEAL W/SLINGER                              | 19109 ,20807 ,20808                                                  | 1    | "FOR MECHANICAL COVER"                                             |                         |
| K-2394 |              | AIR SYSTEMS TOOL KIT                            |                                                                      | 1    |                                                                    |                         |
| K-2402 |              | COVER & SCREW KIT                               | 20513 ,4300751                                                       | 1    |                                                                    |                         |
| K-2427 |              | PISTON KIT                                      | 4301320                                                              | 1    |                                                                    |                         |
| K-2428 |              | LEVER REPLACEMENT KIT                           |                                                                      | 1    | LOW TOWER                                                          |                         |
| K-2429 |              | LEVER REPLACEMENT KIT                           |                                                                      | 1    | HIGH TOWER                                                         |                         |
| K-2468 |              | CLUTCH INSTALLATION KIT                         |                                                                      | 1    | FOR USE WITH S-1659 INPUT SHAFT ASSY AND 81504 INPUT SHAFT BEARING |                         |
| K-2805 |              | SHIM KIT                                        | 21452 K - 2106                                                       | 1    |                                                                    | K-3282,K-3283,S-2834    |
| K-2846 |              | -O- RING KIT                                    |                                                                      | 1    |                                                                    | K-3282,K-3283           |
| K-2853 |              | CYLINDER KIT                                    |                                                                      | 1    |                                                                    |                         |
| K-2918 |              | OIL SEAL KIT                                    | 4302322 4302323                                                      | 1    | "FOR MAGNETIC COVER"                                               | K-3282,K-3283           |
| K-2945 |              | COUNTERSHAFT REPL KIT                           | 4302444                                                              | 1    |                                                                    |                         |
| K-2973 |              | SHIFT LEVER HSG KIT                             | 17166 ,17167 ,4303050<br>,4304910 ,K - 1630 K - 1941                 | 1    | HIGH TOWER                                                         |                         |
| K-2977 |              | SHIFT LEVER HSG KIT                             | 4301167 ,4304907 ,A - 6040                                           | 1    | MID TOWER                                                          |                         |
| K-2978 |              | LEVER REPLACEMENT KIT                           |                                                                      | 1    | MID TOWER                                                          |                         |
| K-3104 |              | ACTUATOR PIN KIT                                | 4303287                                                              | 1    |                                                                    |                         |
| K-3192 |              | MASTER VALVE REPAIR KIT                         |                                                                      | 1    | FOR A-6915 VALVE                                                   |                         |
| K-3194 |              | MASTER VALVE REPAIR KIT                         |                                                                      | 1    | FOR A-7315 VALVE                                                   |                         |
| K-3260 |              | SMALL PARTS KIT                                 |                                                                      | 1    |                                                                    |                         |
| K-3282 |              | BASIC OVERHAUL KIT                              |                                                                      | 1    |                                                                    |                         |
| K-3283 |              | BASIC REBUILD KIT                               |                                                                      | 1    |                                                                    |                         |
| K-3367 |              | OIL PUMP KIT                                    | 4301829 ,4301948<br>,4303776 ,4304529<br>,4304572 A - 6963 ,A - 7173 | 1    |                                                                    |                         |
| K-3376 |              | O-RING & WASHER KIT                             | 4301211                                                              | 1    |                                                                    |                         |
| K-3399 |              | ISOLATOR BUSHING KIT                            | 21244 ,23311                                                         | 1    |                                                                    |                         |
| K-3467 |              | PIN REPLACEMENT KIT                             | 21245                                                                | 1    |                                                                    |                         |
| K-3492 |              | SYNCHRONIZER KIT                                | K - 2446                                                             | 1    |                                                                    |                         |
| K-3494 |              | SYNCHRONIZER REPLACEMENT KIT                    | K - 2448                                                             | 1    | SLIDING CLUTCH INCLUDED IN KIT                                     |                         |
| K-3651 |              | OIL SEAL TOOL KIT                               |                                                                      | 1    |                                                                    |                         |
| K-4125 |              | CLUTCH INSTALLATION KIT (RT), HYDRAULIC RELEASE |                                                                      | 1    | STANDARD RT INPUT SHAFT AND YOKE FOR HYDRAULIC CLUTCH RELEASE      |                         |
| S-1404 |              | OIL FILTER                                      | 17238                                                                | 1    |                                                                    |                         |
| S-1445 |              | SHIFT BAR HSG                                   | 20215 ,4302452                                                       | 1    | HOUSING ONLY (STD)                                                 |                         |
| S-1516 |              | CAP ASSY                                        | 20851 ,20853                                                         | 1    |                                                                    |                         |
| S-1659 |              | INPUT SHAFT                                     | 23566                                                                | 1    | 2" PULL - USE W/FBC 20550                                          | K-2468,K-3282,K-4125    |
| S-1660 |              | INPUT SHAFT                                     | 23567                                                                | 1    | 2" PUSH - USE W/FBC 20549                                          |                         |
| S-1794 |              | ISOLATOR ASSY                                   |                                                                      | 1    |                                                                    |                         |
| S-2129 |              | SHIFT LEVER HSG ASSY                            |                                                                      | 1    | LOW TOWER                                                          |                         |
| S-2130 |              | SHIFT LEVER HSG ASSY                            | S - 2053                                                             | 1    | HIGH TOWER                                                         |                         |
| S-2206 |              | SHIFT BAR HSG                                   | 4302497                                                              | 1    | HOUSING ONLY (F)                                                   |                         |
| S-2207 |              | SHIFT BAR HSG ASSY                              | 4302452                                                              | 1    | COMPLETE (STD)                                                     |                         |
| S-2208 |              | SHIFT BAR HSG ASSY                              | 4302497                                                              | 1    | COMPLETE (F)                                                       |                         |
| S-2209 |              | CASE ASSY                                       | 21318 ,4302518                                                       | 1    |                                                                    |                         |

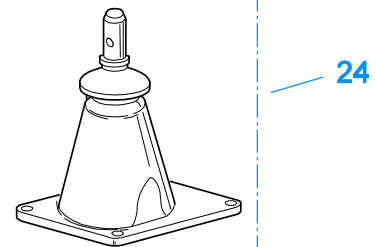
| Item   | Current Part | Description             | Replaced Part                      | Qty. | Notes                              | Kits/Assys Where Needed |
|--------|--------------|-------------------------|------------------------------------|------|------------------------------------|-------------------------|
| S-2210 |              | CASE ASSY               | 4302440                            | 1    | FOR USE W/INTEGRAL PUMP            |                         |
| S-2501 |              | SPEEDO ROTOR ASSY       | 4302242                            | 1    | MAGNETIC                           |                         |
| S-2502 |              | REAR BRG COVER ASSY     | 4303604 ,4305827                   | 1    | MECHANICAL - 4:00 OPENING          |                         |
| S-2503 |              | SPEEDO SPACER ASSY      | 4302590                            | 1    |                                    |                         |
| S-2519 |              | SHIFT LEVER HSG ASSY    | S - 2919                           | 1    | MID TOWER                          |                         |
| S-2583 |              | ROADRANGER VALVE        |                                    | 1    |                                    |                         |
| S-2688 |              | MAINSHAFT ASSY          | 4303404 ,4303913                   | 1    |                                    |                         |
| S-2809 |              | REAR BEARING COVER ASSY | 4302332 ,4303872 ,4304652 ,4305830 | 1    | PUSH-IN/THREAD-IN MAGNETIC PICK-UP |                         |
| S-2834 |              | RANGE SECTION ASSY      |                                    | 1    |                                    |                         |
| S-2859 |              | REAR BRG COVER ASSY     | 4302732 ,4305826                   | 1    | MECHANICAL - 6:00 OPENING          |                         |



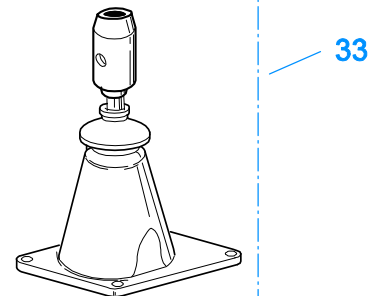
10207-9-95



K-2428 - Low  
K-2978 - Mid  
K-2429 - High



S-1677 - Low  
S-1967 - Mid  
S-1579 - High

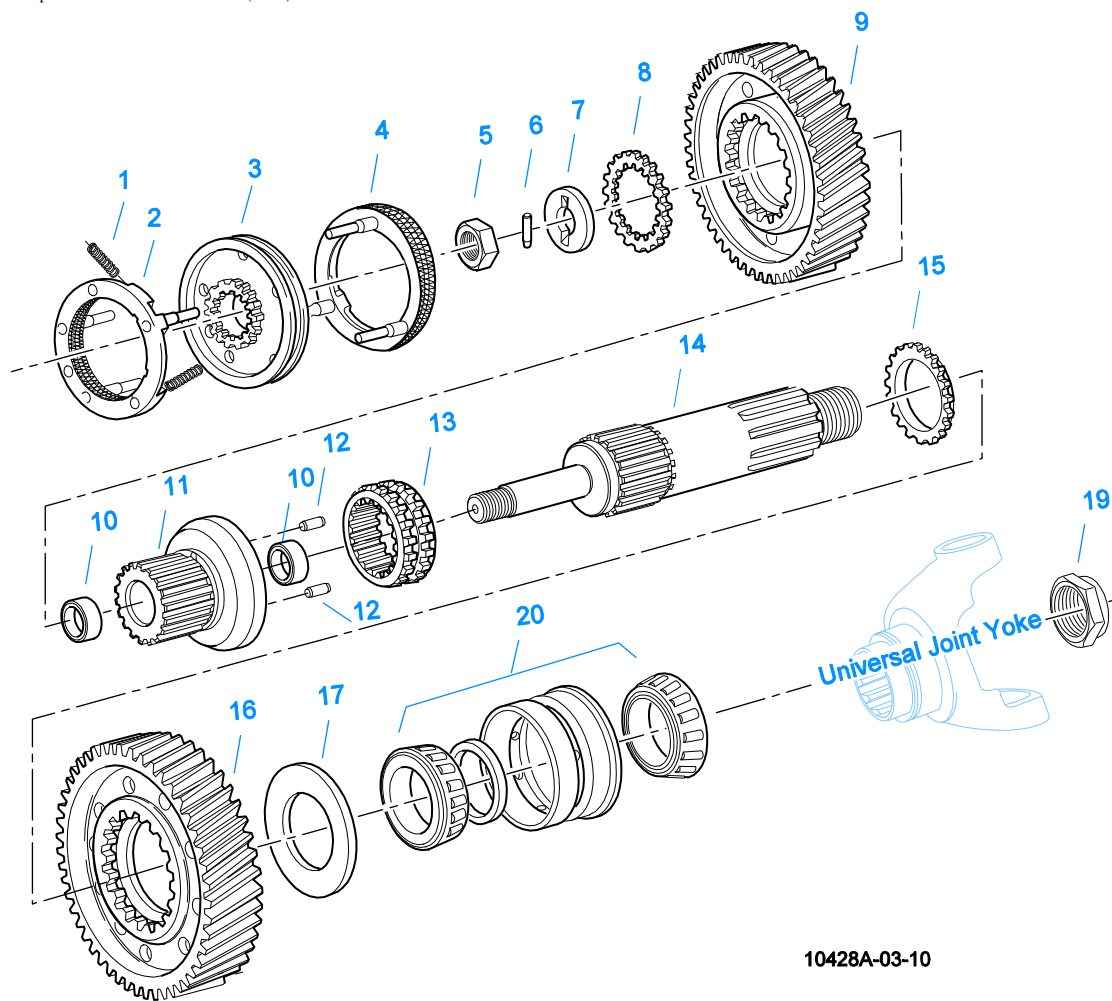


S-2129 - Low  
S-2519 - Mid  
S-2130 - High

## LEVERS/HOUSINGS

| Item | Current Part | Description         | Replaced Part                            | Qty. | Notes             | Kits/Assys Where Needed                                     |
|------|--------------|---------------------|------------------------------------------|------|-------------------|-------------------------------------------------------------|
| 1    | K-3376       | O-RING & WASHER KIT | 4301211                                  | 1    |                   |                                                             |
| 2    | 18299        | PIN                 |                                          | 1    |                   |                                                             |
| 3    | X-8C-604     | CAPSCREW            |                                          | 4    | 3/8"-16X1-1/4"    | K-1476,K-2977,S-1677<br>S-1445                              |
| 4    | X-1-600      | NUT                 |                                          | 4    | 3/8"-24-N.F.PLAIN |                                                             |
| 5    | X-3-600      | LOCKWASHER          |                                          | 4    | 3/8"              |                                                             |
| 6    | 11934        | STUD                | 7467                                     | 4    |                   |                                                             |
| 7    | K-1476       | SHIFT LEVER HSG     | 4530 ,17163 ,18298<br>,4304905 ,A - 4437 | 1    | LOW TOWER         |                                                             |
| 8    | 4305294      | GASKET              | 4303431                                  | 1    |                   | K-1476,K-2061,K-<br>2428,K-2429,K-<br>2973,K-2977,K-2978,S- |

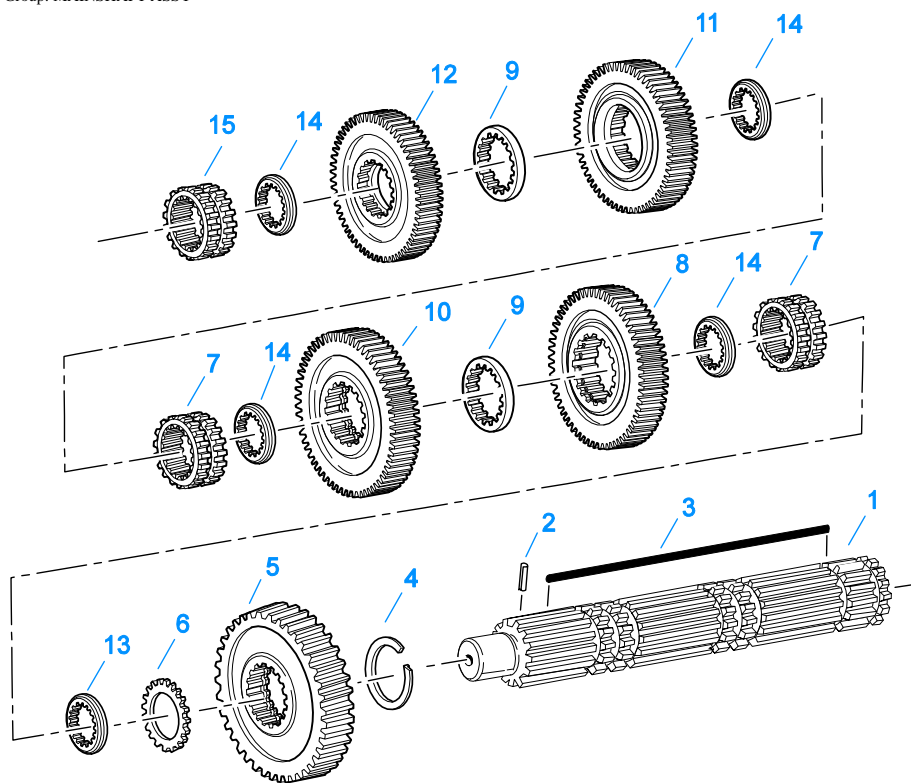
| Item | Current Part | Description           | Replaced Part                                     | Qty. | Notes                    | Kits/Assys Where Needed                   |
|------|--------------|-----------------------|---------------------------------------------------|------|--------------------------|-------------------------------------------|
| 9    | K-2977       | SHIFT LEVER HSG KIT   | 4301167 ,4304907 ,A - 6040                        | 1    | MID TOWER                | 1579,S-1677,S-1967,S-2129,S-2130,S-2519   |
| 13   | 4303030      | PIN                   |                                                   | 1    |                          | K-2973,S-1579,S-2130                      |
| 13   | 6541         | PIN                   |                                                   | 1    | 3/8" - USED W/17167 ONLY |                                           |
| 14   | K-2973       | SHIFT LEVER HSG KIT   | 17166 ,17167 ,4303050 ,4304910 ,K - 1630 K - 1941 | 1    | HIGH TOWER               |                                           |
| 15   | 10427        | BOOT                  |                                                   | 1    |                          | K-1476,K-2973,K-2977,S-1579,S-1677,S-2130 |
| 16   | X-1-600      | NUT                   |                                                   | 1    | 3/8"-24-N.F.PLAIN        |                                           |
| 17   | X-3-600      | LOCKWASHER            |                                                   | 1    | 3/8"                     |                                           |
| 20   | 17600        | GEAR SHIFT LEVER      |                                                   | 1    | STRAIGHT - LOW 21-1/2"   |                                           |
| 20   | 18482        | GEAR SHIFT LEVER      |                                                   | 1    | STRAIGHT - HIGH 35"      |                                           |
| 21   | 2538         | RETAINER              |                                                   | 1    |                          | K-1476,K-2973,K-2977,S-1579,S-1677,S-2130 |
| 22   | 2536         | SPRING                |                                                   | 1    |                          | K-1476,K-2973,K-2977,S-1579,S-1677,S-2130 |
| 23   | K-2428       | LEVER REPLACEMENT KIT |                                                   | 1    | LOW TOWER                |                                           |
| 23   | K-2429       | LEVER REPLACEMENT KIT |                                                   | 1    | HIGH TOWER               |                                           |
| 23   | K-2978       | LEVER REPLACEMENT KIT |                                                   | 1    | MID TOWER                |                                           |
| 24   | S-1579       | SHIFT TOWER ASSY      |                                                   | 1    | HIGH TOWER               |                                           |
| 24   | S-1677       | SHIFT TOWER ASSY      |                                                   | 1    | LOW TOWER                |                                           |
| 24   | S-1967       | SHIFT TOWER ASSY      |                                                   | 1    | MID TOWER                |                                           |
| 33   | S-2129       | SHIFT LEVER HSG ASSY  |                                                   | 1    | LOW TOWER                |                                           |
| 33   | S-2130       | SHIFT LEVER HSG ASSY  | S - 2053                                          | 1    | HIGH TOWER               |                                           |
| 33   | S-2519       | SHIFT LEVER HSG ASSY  | S - 2919                                          | 1    | MID TOWER                |                                           |



10428A-03-10

### MAINSHAFT & SYNCHRO(AUX)

| Item | Current Part | Description                | Replaced Part            | Qty. | Notes    | Kits/Assys Where Needed            |
|------|--------------|----------------------------|--------------------------|------|----------|------------------------------------|
| 1    | 14897        | SPRING                     |                          | 3    |          | K-3260,K-3282,K-3283,K-3492,K-3494 |
| 2    | A-7331       | SYNCHRONIZER ASSY          | 4304396 4304397 A - 5917 | 1    | HI RANGE | K-3492,K-3494                      |
| 3    | 20323        | SLIDING CLUTCH             |                          | 1    |          | K-3494                             |
| 4    | A-7254       | SYNCHRONIZER ASSEMBLY      | A - 4937 A - 5876        | 1    | LO RANGE | K-3492,K-3494                      |
| 5    | 21365        | NUT                        |                          | 1    |          | K-3260                             |
| 6    | 17332        | DOWEL PIN                  |                          | 1    |          | K-3260                             |
| 7    | 21347        | WASHER                     |                          | 1    |          | K-3260                             |
| 8    | 21350        | WASHER                     |                          | 1    |          | K-3260                             |
| 9    | 4302468      | REDUCTION GEAR             | 4302446                  | 1    |          |                                    |
| 10   | 21352        | BUSHING                    |                          | 2    |          | A-5156,K-3282,K-3283               |
| 11   | A-5156       | MAINSHAFT ASSY             | 21351                    | 1    |          |                                    |
| 12   | 21652        | PIN                        |                          | 2    |          | K-3260                             |
| 13   | 21360        | SLIDING CLUTCH             |                          | 1    |          |                                    |
| 14   | 4303359      | MAINSHAFT                  |                          | 1    |          |                                    |
| 15   | 21354        | WASHER                     |                          | 1    |          | K-3260                             |
| 16   | 4300677      | DEEP REDUCTION GEAR        |                          | 1    |          |                                    |
| 17   | 21358        | WASHER                     |                          | 1    |          | K-3260                             |
| 19   | K-4122       | HEX FLANGE CRIMPED NUT KIT | 4302321,4306520          | 1    |          |                                    |
| 20   | 5556503-BOX  | BEARING                    | 5556503                  | 1    |          | K-3282,K-3283                      |



10337B-10-96

### MAINSHAFT ASSY

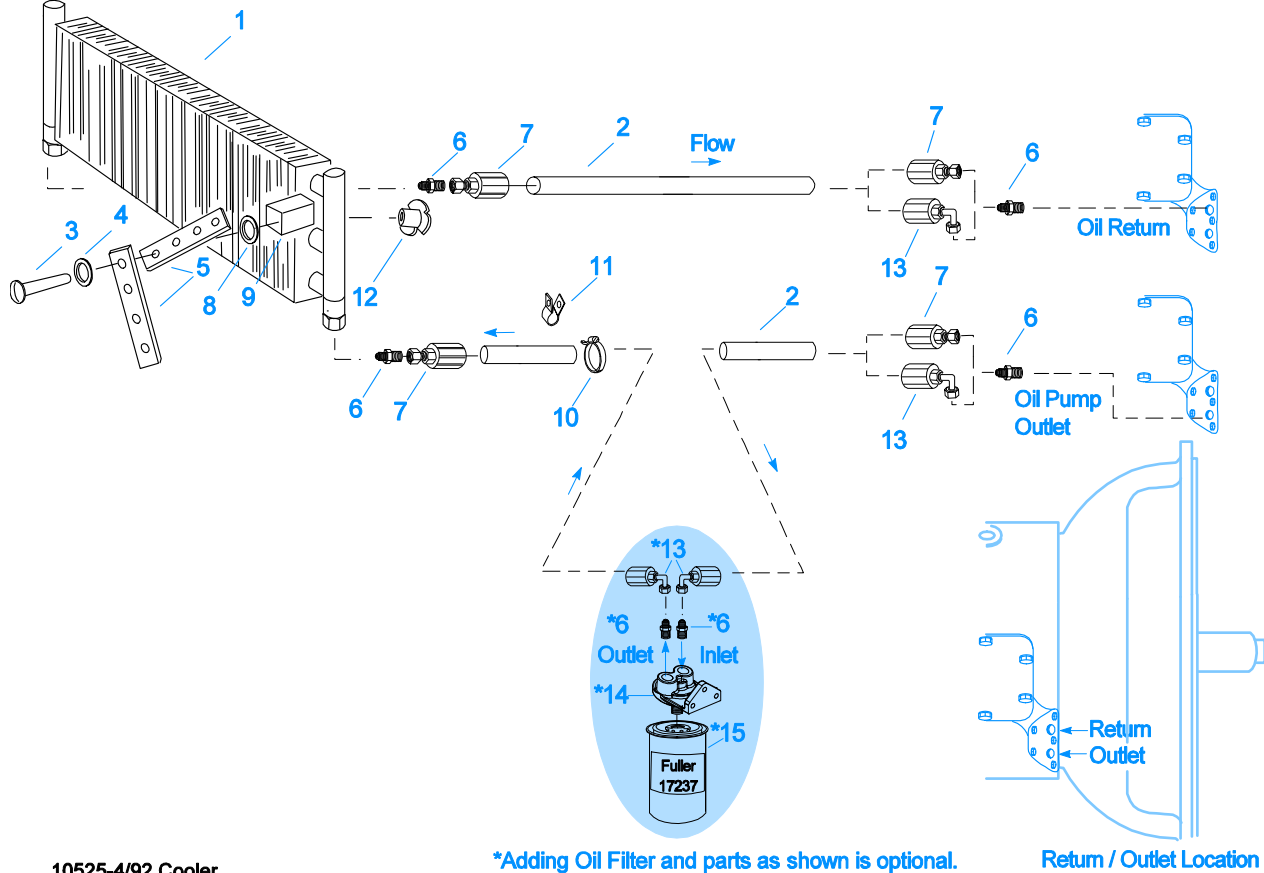
| Item | Current Part | Description            | Replaced Part    | Qty. | Notes | Kits/Assys Where Needed            |
|------|--------------|------------------------|------------------|------|-------|------------------------------------|
| 1    | S-2688       | MAINSHAFT ASSY         | 4303404 ,4303913 | 1    |       |                                    |
| 2    | 62504        | ROLL PIN               |                  | 1    |       | S-2688                             |
| 3    | 4304614      | 3-SIDED KEY            | 4300890          | 1    |       |                                    |
| 4    | 14750        | SNAP RING              |                  | 1    |       | K-2468,K-3260,K-3282,K-3283,K-4125 |
| 5    | 4302451      | REVERSE GEAR-MAINSHAFT |                  | 1    |       |                                    |
| 6    | 14749        | SPACER                 |                  | 1    |       | K-3260                             |
| 7    | 16118        | SLIDING CLUTCH         |                  | 2    |       |                                    |
| 8    | 4303435      | LO GEAR-MAINSHAFT      | 4303436          | 1    |       |                                    |
| 9    | 4303603      | WASHER                 |                  | 2    |       |                                    |
| 10   | 4303420      | 1ST GEAR-MAINSHAFT     | 4303408          | 1    |       |                                    |
| 11   | 4302394      | 2ND GEAR-MAINSHAFT     | 4302395          | 1    |       |                                    |
| 12   | 4302393      | OD GEAR-MAINSHAFT      | 4305070          | 1    |       |                                    |
| 13   | 4300830      | WASHER .244-BLUE       |                  | 1    |       |                                    |
| 14   | 4302398      | WASHER                 |                  | 4    |       |                                    |
| 15   | 4304317      | SLIDING CLUTCH         | 22026            | 1    |       | K-3282                             |

## MISCELLANEOUS

| Item    | Current Part | Description         | Replaced Part | Qty. | Notes                            | Kits/Assys Where Needed            |
|---------|--------------|---------------------|---------------|------|----------------------------------|------------------------------------|
| 4302441 |              | SHIFT DIAGRAM LABEL |               | 1    |                                  |                                    |
| 71203   |              | SILICONE LUBE       |               | 1    | 8 OZ (236.59 CC)-FLEET SIZE      |                                    |
| 71204   |              | ADHESIVE SEALANT    |               | 1    | 0.5 CC (SINGLE APPLICATION SIZE) |                                    |
| 71205   |              | SEALANT             |               | 1    | 2 CC (SINGLE APPLICATION SIZE)   | K-3282                             |
| 71206   |              | SILICONE LUBE       |               | 1    | 4 CC (SINGLE APPLICATION SIZE)   | K-2428,K-2429,K-2846,K-2853,K-2978 |



Group: OIL COOLER



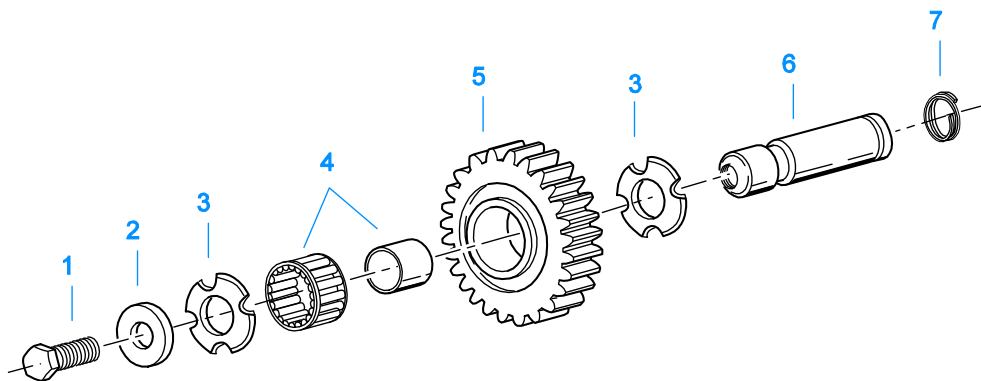
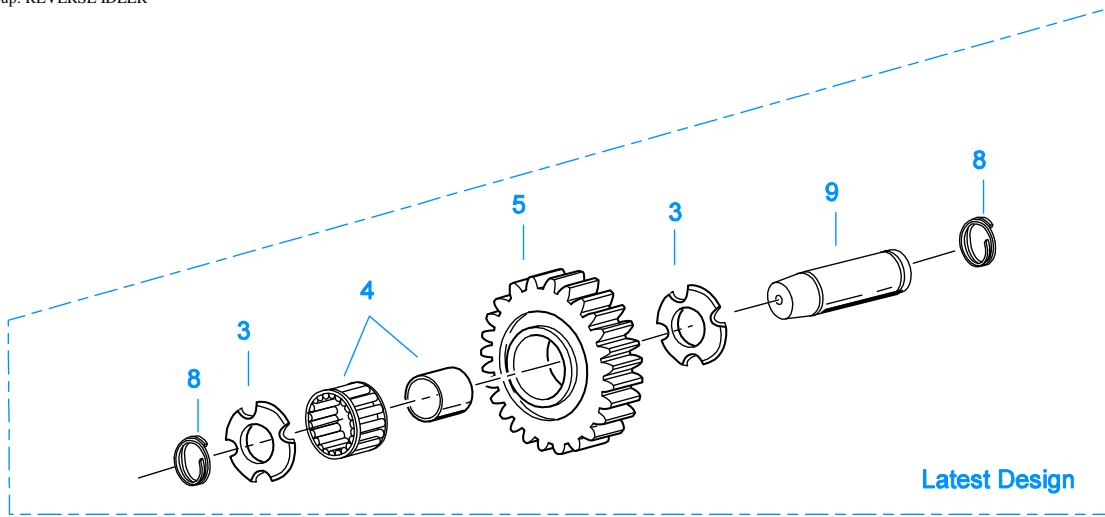
10525-4/92 Cooler

\*Adding Oil Filter and parts as shown is optional.

Return / Outlet Location

## OIL COOLER

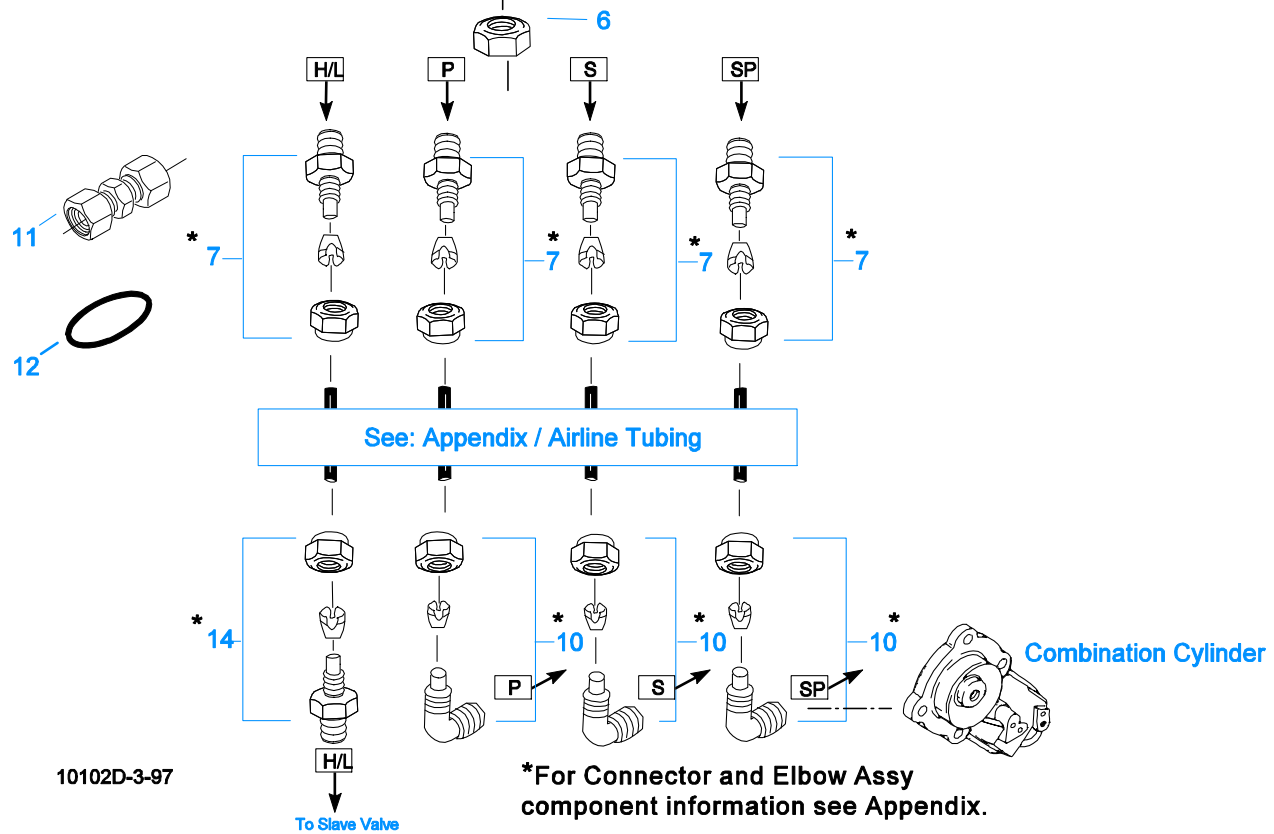
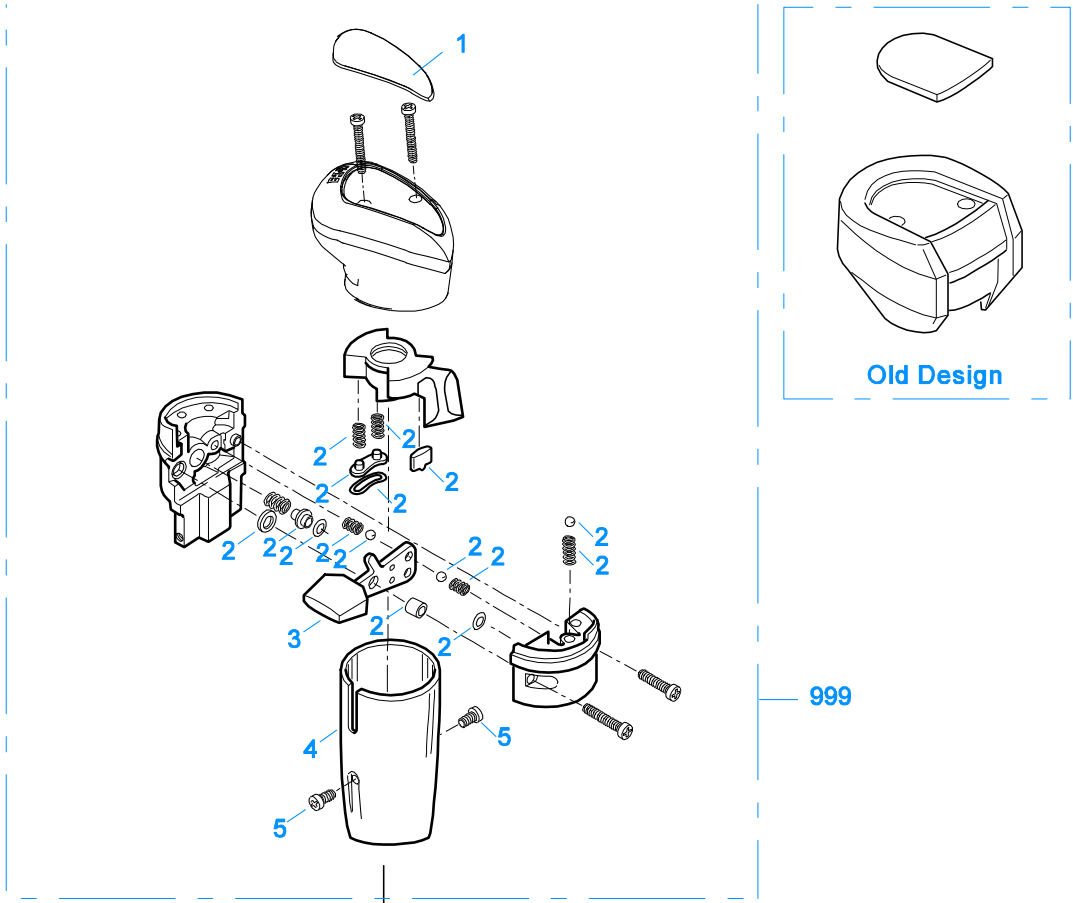
| Item | Current Part | Description       | Replaced Part | Qty. | Notes           | Kits/Assys Where Needed |
|------|--------------|-------------------|---------------|------|-----------------|-------------------------|
| 1    | 18025        | OIL COOLER        |               | 1    |                 | K-1956                  |
| 2    | 19424        | HOSE              |               | 1    | 25 FEET         | K-1956                  |
| 3    | X-8-535      | CAPSCREW          |               | 2    | 5/16"-16X2-1/2" |                         |
| 4    | X-3-506      | LOCKWASHER        |               | 2    | 5/16"           |                         |
| 5    | 18211        | BRACKET           |               | 4    |                 | K-1956                  |
| 6    | 19419        | CONNECTOR         |               | 6    |                 | K-1956,S-1404           |
| 7    | 19415        | SWIVEL            |               | 4    |                 | K-1956                  |
| 8    | X-10-501     | WASHER            |               | 2    | 5/16"           |                         |
| 9    | 18209        | PLUG-RUBBER MOUNT |               | 2    |                 | K-1956                  |
| 10   | 17190        | STRAP             |               | 8    |                 | K-1956                  |
| 11   | 19423        | CLAMP             |               | 5    |                 | K-1956                  |
| 12   | 18210        | NUT               |               | 2    |                 | K-1956                  |
| 13   | 19422        | ELBOW             |               | 4    |                 | K-1956                  |
| 14   | S-1404       | OIL FILTER        | 17238         | 1    |                 |                         |
| 15   | 17237        | FILTER ELEMENT    |               | 1    |                 | S-1404                  |



11382-3-97 RI

## REVERSE IDLER

| Item | Current Part | Description          | Replaced Part              | Qty. | Notes         | Kits/Assys Where Needed |
|------|--------------|----------------------|----------------------------|------|---------------|-------------------------|
| 1    | X-7-1008     | CAPSCREW             |                            | 2    | 5/8"-18X1-1/4 |                         |
| 2    | 14283        | WASHER               |                            | 2    |               |                         |
| 3    | 4302982      | WASHER               | 14282                      | 4    |               | K-3209,S-2209,S-2210    |
| 4    | 14287        | BEARING              | 4305020                    | 2    |               | K-3282,K-3283           |
| 5    | 23214        | REVERSE IDLER GEAR   |                            | 2    |               |                         |
| 6    | K-3209       | IDLER SHAFT REPL KIT | 16405 ,4302981<br>,4305513 | 2    |               |                         |
| 7    | 4303336      | RETAINING RING       |                            | 2    |               | K-3209                  |
| 8    | 4303336      | RETAINING RING       |                            | 4    |               | K-3209                  |
| 9    | 4305513      | IDLER SHAFT          |                            | 2    |               | K-3209                  |

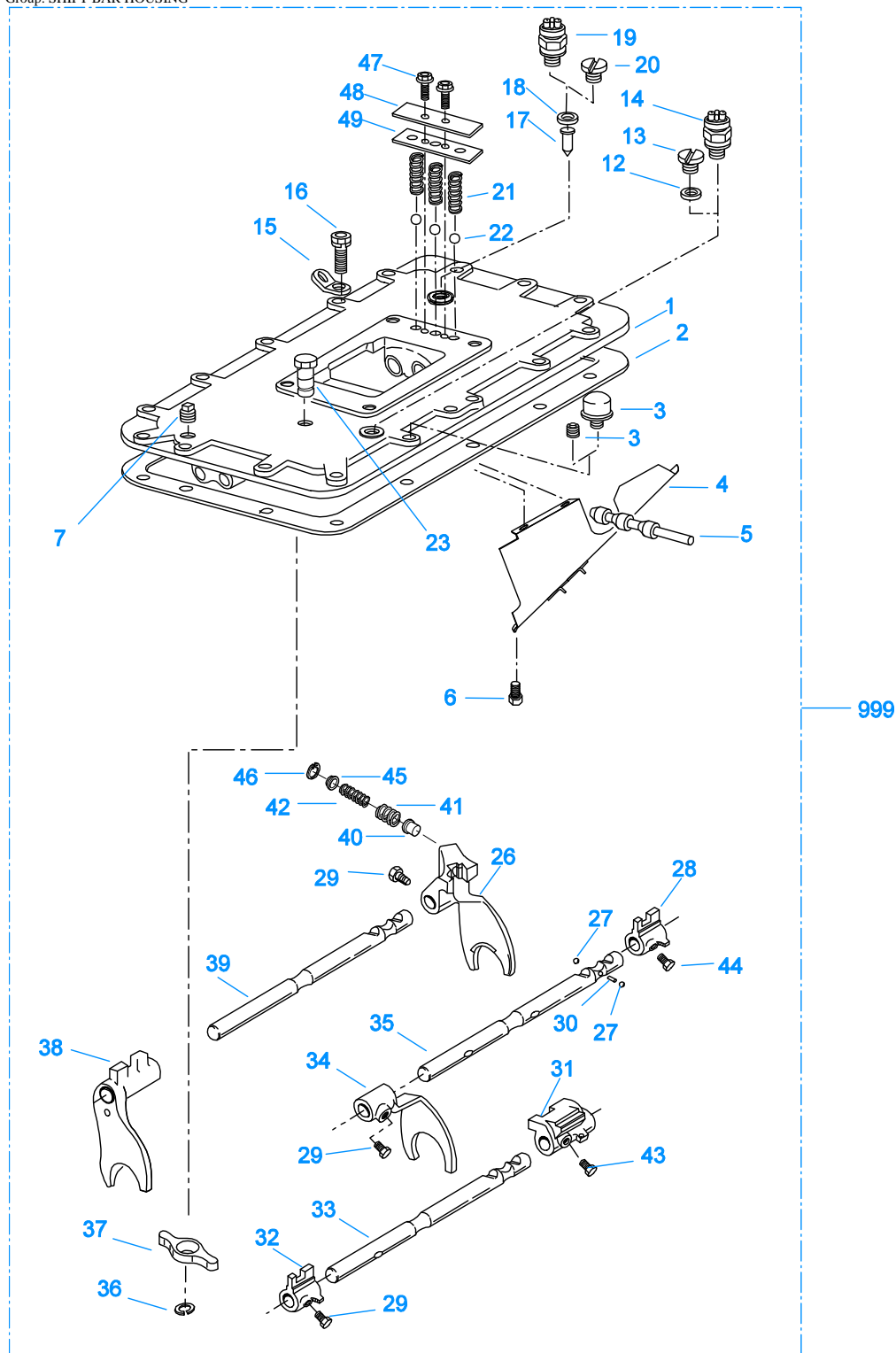


10102D-3-97

To Slave Valve

## ROADRANGER VALVE

| Item | Current Part | Description                | Replaced Part | Qty. | Notes                                   | Kits/Assys Where Needed |
|------|--------------|----------------------------|---------------|------|-----------------------------------------|-------------------------|
| 1    | 5586100      | MEDALLION, LOGO            |               | 1    | (LATEST DESIGN) FULLER LOGO ONLY        | A-6915,A-7315           |
| 1    | 5586110      | SHIFT DIAGRAM<br>MEDALLION |               | 1    | RTO-W/SHIFT PATTERN                     | S-2583                  |
| 2    | K-3192       | MASTER VALVE REPAIR<br>KIT |               | 1    | FOR A-6915 VALVE                        |                         |
| 2    | K-3194       | MASTER VALVE REPAIR<br>KIT |               | 1    | FOR A-7315 VALVE                        |                         |
| 3    | 20496        | LEVER                      |               | 1    |                                         | A-6915,A-7315           |
| 4    | 20112        | COVER                      |               | 1    |                                         | A-6915,A-7315           |
| 5    | X-8-213      | SCREW                      | X 8 202       | 2    | 8-32X3/8"                               |                         |
| 6    | X-9-802      | NUT                        |               | 1    | 1/2"-13                                 |                         |
| 7    | 84001        | CONNECTOR ASSY             | 82501         | 4    | 1/8" TUBE-1/16" NPTF                    |                         |
| 7    | 84003        | CONNECTOR ASSY             | 82503         | 4    | 5/32" TUBE-1/16" NPTF                   |                         |
| 7    | 84005        | CONNECTOR ASSY             |               | 4    | "PUSH-TO-CONNECT" 5/32" TUBE-1/16" NPTF | S-2583                  |
| 10   | 85001        | ELBOW ASSY                 | 84501         | 3    | 5/32" TUBE-1/8" NPTF                    |                         |
| 10   | 85002        | ELBOW ASSY                 | 84502         | 3    | 1/8" TUBE-1/8" NPTF                     |                         |
| 10   | 85003        | ELBOW ASSY                 |               | 3    | "PUSH-TO-CONNECT" 5/32" TUBE-1/8" NPTF  | K-3282                  |
| 11   | 84101        | UNION ASSY                 |               | 1    | 1/8" TUBING                             |                         |
| 11   | 84102        | UNION ASSY                 |               | 1    | 5/32" TUBING                            |                         |
| 11   | 84103        | UNION ASSY                 |               | 1    | "PUSH-TO-CONNECT" 5/32" TUBING          |                         |
| 12   | 13571        | -O- RING CLAMP             |               | 2    |                                         |                         |
| 14   | 84002        | CONNECTOR ASSY             | 82502         | 1    | 1/8" TUBE-1/8" NPTF                     |                         |
| 14   | 84004        | CONNECTOR ASSY             | 82504         | 1    | 5/32" TUBE-1/8" NPTF                    |                         |
| 14   | 84006        | CONNECTOR ASSY             |               | 1    | "PUSH-TO-CONNECT" 5/32" TUBE-1/8" NPTF  | K-3282                  |
| 999  | A-6915       | ROADRANGER VALVE<br>ASSY   | A - 5015      | 1    | STANDARD-W/LOGO                         |                         |
| 999  | A-7315       | ROADRANGER VALVE<br>ASSY   | A - 5315      | 1    | (LEFT OF DRIVER)-W/LOGO                 |                         |
| 999  | S-2583       | ROADRANGER VALVE           |               | 1    | RTO-W/SHIFT PATTERN                     |                         |



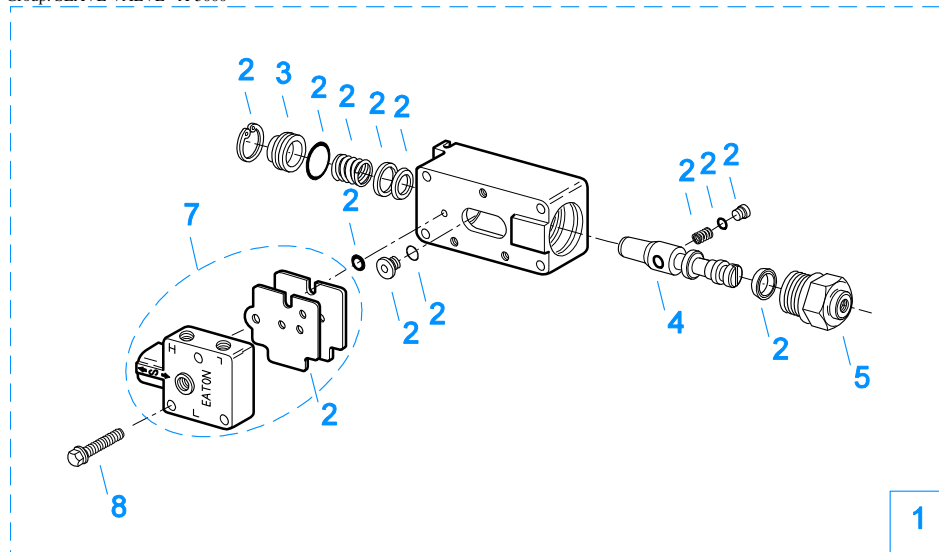
10251-3-94 X-Forward

### SHIFT BAR HOUSING

| Item | Current Part | Description       | Replaced Part | Qty. | Notes        | Kits/Assys Where Needed |
|------|--------------|-------------------|---------------|------|--------------|-------------------------|
| 1    | S-2206       | SHIFT BAR HSG (F) | 4302497       | 1    | HOUSING ONLY |                         |
| 2    | 4302676      | GASKET            | 14918         | 1    |              | K-2061,S-2207,S-2208    |
| 3    | 4304602      | BREATHER          | 23605         | 1    | 1/4" NPT     |                         |
| 3    | X-12-404     | PIPE PLUG         |               | 1    | 1/4" NPT     |                         |

| Item | Current Part | Description            | Replaced Part | Qty. | Notes                                                           | Kits/Assys Where Needed     |
|------|--------------|------------------------|---------------|------|-----------------------------------------------------------------|-----------------------------|
| 4    | 20070        | OIL TROUGH             |               | 1    |                                                                 | S-2207,S-2208               |
| 5    | 20332        | AIR VALVE SHAFT        | 17177         | 1    |                                                                 | S-2207,S-2208               |
| 6    | X-8-423      | CAPSCREW               |               | 2    | 1/4"-20X1/2"                                                    |                             |
| 7    | X-12-603     | PIPE PLUG              | X12 602       | 1    | 3/8" NPT                                                        |                             |
| 12   | 17179        | GASKET                 |               | 1    |                                                                 | S-1445,S-2206,S-2207,S-2208 |
| 13   | 4303655      | PLUG                   | 17178         | 1    |                                                                 | S-1445,S-2206,S-2207,S-2208 |
| 14   | 22941        | NEUTRAL LIGHT SWITCH   | 12639         | 1    | SWITCH NORMALLY CLOSED                                          |                             |
| 15   | 20815        | LIFTING EYE            | 17105         | 2    |                                                                 | S-2834                      |
| 16   | X-8L-602     | CAPSCREW               |               | 2    | 3/8"-16X1-1/2"                                                  |                             |
| 16   | X-8L-604     | CAPSCREW               |               | 16   | 3/8"-16X1-1/4" OR USE 14 PCS OF X-8L-604 WITH 2 PCS OF X-8L-602 |                             |
| 17   | 15899        | PIN                    |               | 1    |                                                                 | S-1445,S-2206,S-2207,S-2208 |
| 18   | 15900        | GASKET                 |               | 1    |                                                                 | S-1445,S-2206,S-2207,S-2208 |
| 19   | 22940        | REVERSE LIGHT SWITCH   | 16830         | 1    | SWITCH NORMALLY OPEN                                            |                             |
| 20   | 4303656      | PLUG                   | 15917         | 1    |                                                                 | S-1445,S-2206,S-2207,S-2208 |
| 21   | 15918        | SPRING                 |               | 3    |                                                                 | K-3260,K-3282,S-2207,S-2208 |
| 22   | X-14-800     | STEEL BALL             |               | 3    | 1/2"                                                            |                             |
| 23   | K-3104       | ACTUATOR PIN KIT       | 4303287       | 1    |                                                                 |                             |
| 26   | 4302494      | SHIFT YOKE             |               | 1    | REVERSE/LO                                                      |                             |
| 27   | X-14-1200    | STEEL BALL             |               | 2    | 3/4"                                                            |                             |
| 28   | 19703        | SHIFT BLOCK            |               | 1    | 1ST/2ND                                                         | S-2208                      |
| 29   | 3220         | LOCKSCREW              |               | 3    |                                                                 | S-2207,S-2208               |
| 30   | 1634         | INTERLOCK PIN          |               | 1    |                                                                 | K-3260,S-2207,S-2208        |
| 31   | 4302495      | SHIFT BLOCK            |               | 1    | 3RD/OD (REAR)                                                   | S-2208                      |
| 32   | 20120        | SHIFT BLOCK            | 18924         | 1    | 3RD/OD (FRONT)                                                  | S-2207,S-2208               |
| 33   | 4302492      | YOKE BAR               |               | 1    | 3RD/OD                                                          | S-2208                      |
| 34   | 18922        | SHIFT YOKE             |               | 1    | 1ST/2ND                                                         | S-2207,S-2208               |
| 35   | 4302467      | YOKE BAR               |               | 1    | 1ST/2ND                                                         | S-2208                      |
| 36   | 4302070      | SNAP RING              |               | 1    |                                                                 | K-3104,S-2207,S-2208        |
| 37   | 4303225      | ACTUATOR               |               | 1    |                                                                 | S-2207,S-2208               |
| 38   | 4305575      | SHIFT YOKE             | 20450         | 1    | 3RD/OD                                                          | S-2207,S-2208               |
| 39   | 4302443      | YOKE BAR               |               | 1    | REVERSE/LO                                                      | S-2208                      |
| 40   | 19790        | PLUNGER                |               | 1    |                                                                 |                             |
| 41   | 19791        | SPRING                 |               | 1    |                                                                 |                             |
| 42   | 19838        | SPRING                 |               | 1    |                                                                 |                             |
| 43   | 22943        | LOCKSCREW              |               | 1    |                                                                 | S-2208                      |
| 44   | 15776        | LOCKSCREW              |               | 1    |                                                                 | S-2207,S-2208               |
| 45   | 19792        | RETAINER               |               | 1    |                                                                 |                             |
| 46   | 19793        | SNAP RING              |               | 1    |                                                                 | A-5000,K-1935               |
| 47   | X-8L-600     | CAPSCREW               |               | 2    | 3/8"-16X1"                                                      |                             |
| 48   | 15132        | SPRING COVER           |               | 1    |                                                                 | S-2208                      |
| 49   | 15133        | GASKET                 |               | 1    |                                                                 | S-2208                      |
| 999  | S-2208       | SHIFT BAR HSG ASSY (F) | 4302497       | 1    | COMPLETE                                                        |                             |

Group: SLAVE VALVE - A-5000



10120-10-97 A-5000 SV

2 Repair Kit

### SLAVE VALVE - A-5000

| Item | Current Part | Description            | Replaced Part | Qty. | Notes            | Kits/Assys Where Needed |
|------|--------------|------------------------|---------------|------|------------------|-------------------------|
| 1    | A-5000       | SLAVE VALVE ASSY       | 20850         | 1    |                  |                         |
| 2    | K-1935       | REPAIR KIT-SLAVE VALVE |               | 1    | FOR A-5000 VALVE |                         |
| 3    | 20855        | PLUG                   |               | 1    |                  | A-5000                  |
| 4    | 20854        | PISTON                 |               | 1    |                  | A-5000                  |
| 5    | 20849        | CAP                    | 15131         | 1    |                  | A-5000                  |
| 7    | S-1516       | CAP ASSY               | 20851 ,20853  | 1    |                  |                         |
| 8    | X-8C-413     | CAPSCREW               |               | 3    | 1/4"-20X1-1/2"   |                         |

