



**Roadranger®**

More time on the road®

# Illustrated Parts List

---

**RTX-14715**  
**July 2011**

# Contents

How To Use The Illustrated Parts List .....	3
AUXILIARY DRIVE GEAR.....	4
CASE (AUX) .....	5
CASE (FRONT).....	7
COMBINATION CYLINDER .....	9
COUNTERSHAFT & BRGS(AUX).....	10
COUNTERSHAFT ASSY .....	11
FILTER REGULATOR.....	12
H & C W/19470 VALVE.....	13
H & C W/A-5000 VALVE.....	14
INPUT SHAFT & DRIVE GEAR .....	15
INTEGRAL OIL PUMP .....	16
ISOLATORS.....	18
KITS & ASSEMBLIES .....	19
LEVERS/HOUSINGS .....	21
MAINSHAFT & SYNCHRO(AUX).....	23
MAINSHAFT ASSY.....	25
MISC.(INT. BOX).....	27
REAR HOUSING ASSY.....	27
MISC.(INT. BOX).....	28
THRU-SHAFT PTO C/S .....	28
MISCELLANEOUS .....	29
NON-SELECTIVE M/S ASSY .....	30
OIL COOLER.....	31
REVERSE IDLER.....	32
ROAD SPEED GOVERNOR .....	34
ROADRANGER VALVE .....	37
SHIFT BAR HOUSING (X).....	38
SLAVE VALVE - 19470.....	40
SLAVE VALVE - A-5000.....	41

## How To Use The Illustrated Parts List

The information contained in this document is subject to frequent updates. Therefore, for the latest information available, please visit the interactive Electronic Parts Catalog at [www.roadranger.com/epc](http://www.roadranger.com/epc).

### Model Designation or Nomenclature

- For information regarding Model Designation and Nomenclature, visit [www.roadranger.com](http://www.roadranger.com).

### Kits and Assemblies (K/A's)

- Kits and Assemblies contain groups of individual or assembled parts developed for optimal replacement or repair of a service problem.
- Kits and Assemblies are shown with applicable parts groupings in the parts listings.

### Identifying Kits and Assemblies

A- Part numbers beginning with the letter 'A' are pre-assembled Production Assemblies

K- Part numbers beginning with the letter 'K' are kits that are not assembled

S- Part numbers beginning with the letter 'S' are pre-assembled Service Assemblies

- Note: Some Production Assemblies do not begin with a letter prefix (Midrange only).

### Illustrations

- Illustrations show parts in assembly groups.
- Item numbers on illustrations correspond with parts listings on pages adjacent to the illustration.
- Notes are included on illustrations where additional information is needed.

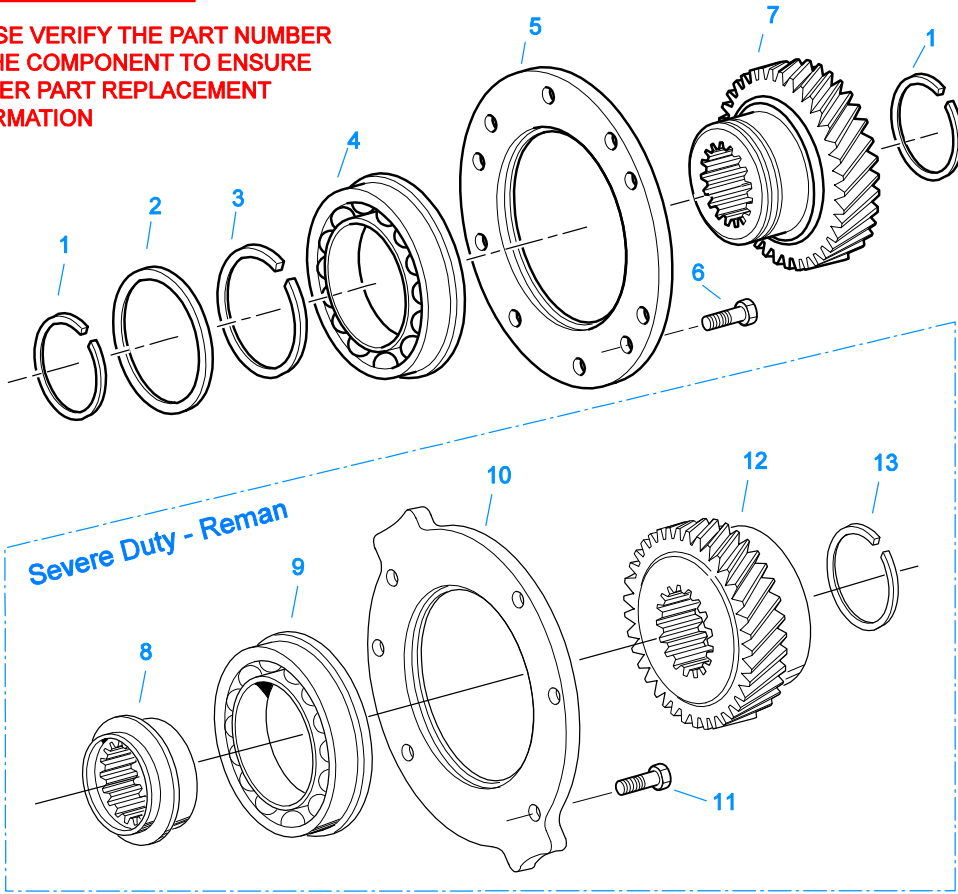
### Parts Listing

Parts listings are defined by parts groupings and are broken down by service assemblies. Parts listings identify a part for servicing with the following categories

- **Item Number** - corresponding with numbers on illustrations for part identification.
- **Current Part** - identifies part as it is available for service.
- **Description** - specifies part name or description.
- **Replaced Part** - quantity quantity required for assembly.
- **Quantity** - defines unique characteristics or requirements.
- **Notes** - indicates Kits or Assemblies that contain a particular part.
- **Kits/Assy's Where Used**

**IMPORTANT**

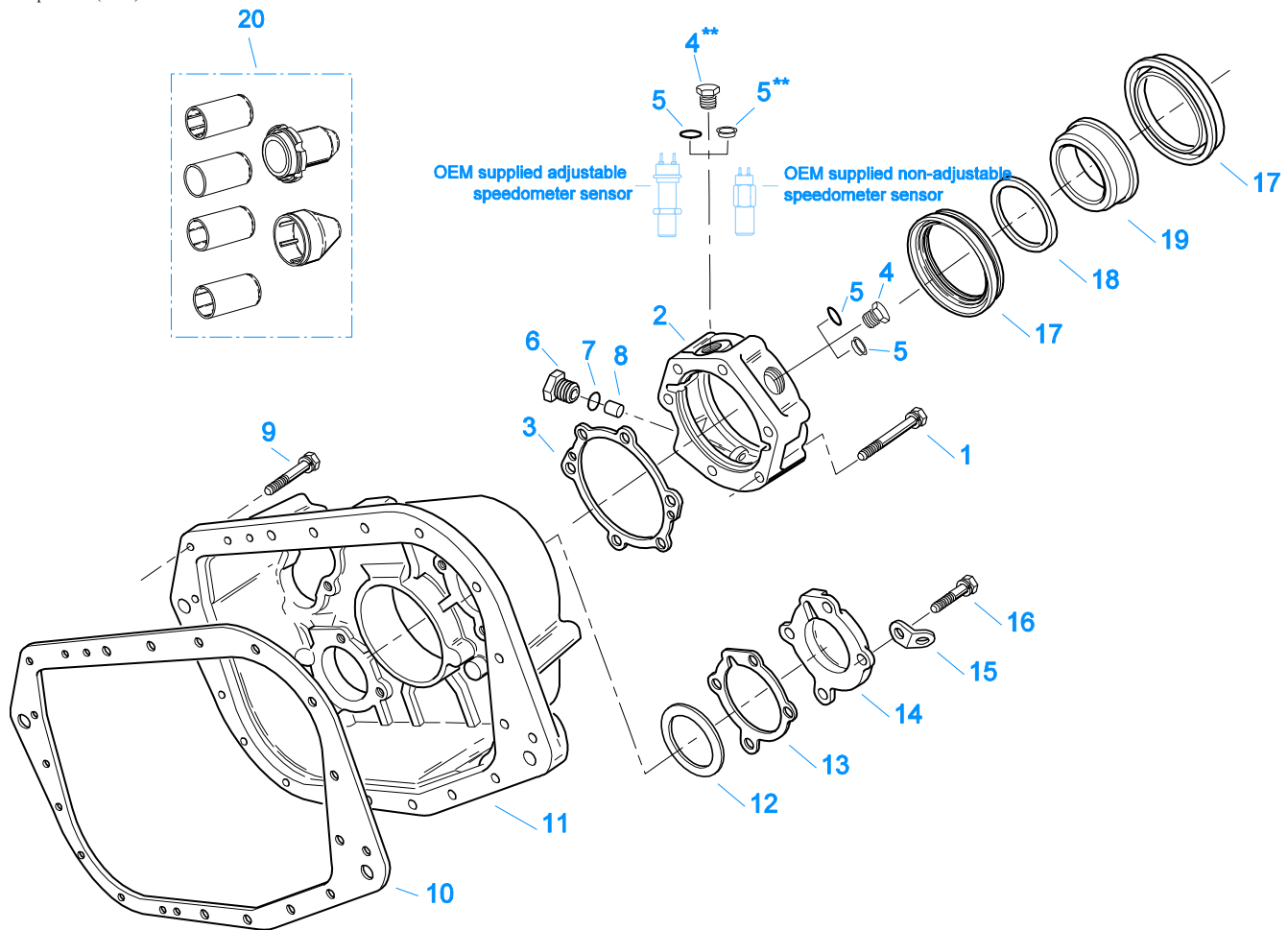
**PLEASE VERIFY THE PART NUMBER ON THE COMPONENT TO ENSURE PROPER PART REPLACEMENT INFORMATION**



10480B-05-08

**AUXILIARY DRIVE GEAR**

Item	Current Part	Description	Replaced Part	Qty.	Notes	Kits/Assys Where Needed
1	16763	SNAP RING		2		K-1991,K-1992,K-2043,K-2064,K-3152,K-3153,K-3753,K-3754
2	21320	SNAP RING RETAINER		1		K-1991,K-1992,K-2043,K-3753,K-3754
3	16628	SNAP RING		1		K-1991,K-1992,K-2043,K-3753,K-3754
4	5566507-BOX	BEARING	5566504,5566507	1		K-1991,K-1992,K-2043,K-3753,K-3754
5	16138	BEARING RETAINER		1		
6	X-8-645	CAPSCREW	X 8 612	6	3/8"-16X1"	
7	23159	AUXILIARY DRIVE GEAR	21321	1		
8	4303673	SPACER	4302046	1	SEVERE DUTY - REMAN	
9	5566508-BOX	BEARING	5566503,5566508	1	SEVERE DUTY - REMAN	
10	4300894	RETAINER		1	SEVERE DUTY - REMAN	
11	X-8-645	CAPSCREW	X 8 612	6	3/8"-16X1"	
12	4303357	AUXILIARY DRIVE GEAR		1	SEVERE DUTY - REMAN	
13	16763	SNAP RING		1		K-1991,K-1992,K-2043,K-2064,K-3152,K-3153,K-3753,K-3754



**\*\* Note — Items 4 & 5 / Magnetic Speedometer Openings:**  
 Use 13679 "O" ring w/ OEM supplied adjustable speedometer sensor  
 and 20225 "O" ring w/ OEM supplied non-adjustable speedometer sensor or Eaton part #20224 Plug

**10407-12-93 Aux Case**

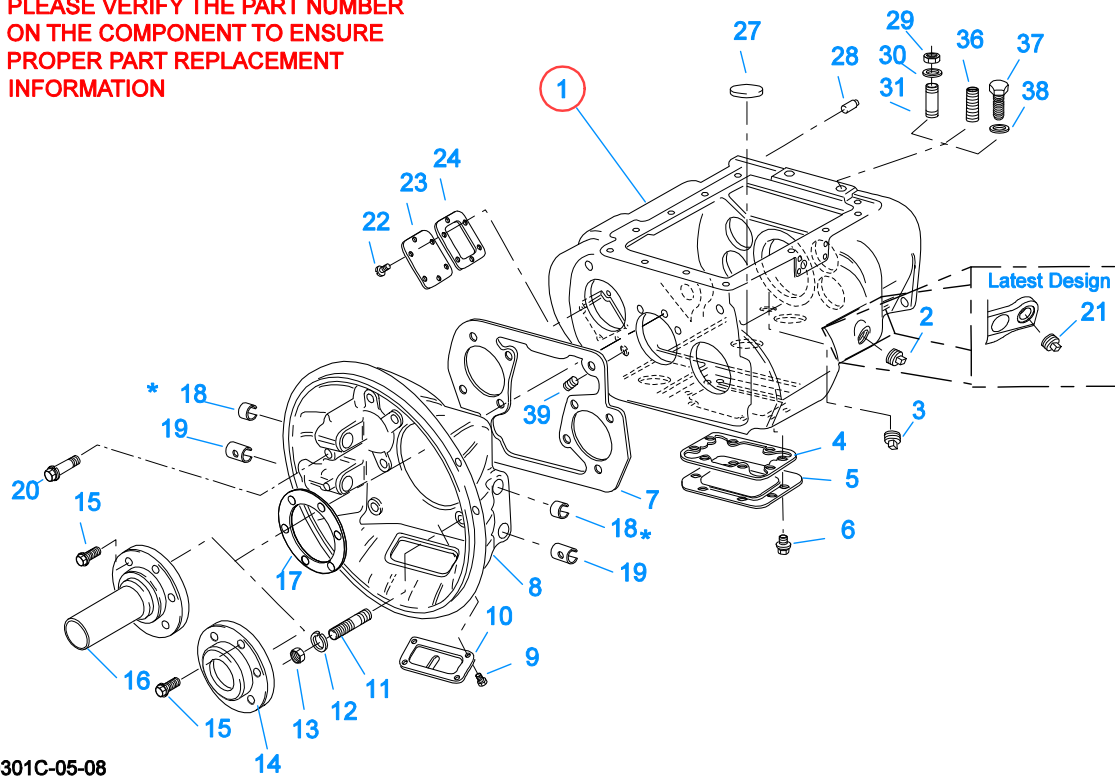
**CASE (AUX)**

Item	Current Part	Description	Replaced Part	Qty.	Notes	Kits/Assys Where Needed
1	X-8L-611	CAPSCREW		6	3/8"-16X3-1/4"	
2	S-2164	REAR BRG COVER ASSY	22733 ,4302026 ,S - 1553 ,S - 2367	1	MECHANICAL AND MAGNETIC	
3	21364	GASKET		1		K-2061,K-2077,K- 2262,S-2164
4	20224	PLUG-MAGNETIC		2		S-1554,S-2164
5	13679	-O- RING		1	USE W/OEM SUPPLIED ADJUSTABLE SPEEDOMETER SENSOR NOT TO BE USED WITH 4301954 SEAL	
5	20225	-O- RING		2	USE W/20224 PLUG OR OEM SUPPLIED NON-ADJUSTABLE SPEEDOMETER SENSOR NOT TO BE USED WITH 4301954 SEAL O-RING NOT REQUIRED	K-3753,K-3754
5	4301954	SENSOR SEAL		2		S-2164
6	20226	PLUG-MECHANICAL	2237	1		S-1554,S-2164
7	14142	-O- RING		1		S-1554,S-2164
8	7992	BUSHING		1		S-2164
9	X-8L-602	CAPSCREW		17	3/8"-16X1-1/2"	
9	X-8L-614	CAPSCREW		2	3/8"-16X2"	
10	14335	GASKET		1		K-2061,K-2077,S-1554
11	21431	REAR HOUSING		1		
11	21627	REAR HOUSING		1	W/OIL COOLER	

Item	Current Part	Description	Replaced Part	Qty.	Notes	Kits/Assys Where Needed
12	K-2805	SHIM KIT	21452 K - 2106	1		K-1991,K-1992,K-2043,K-3753,K-3754,S-1554
13	4305978	GASKET	4302246	2		K-2061,K-2077,S-1554
14	4302320	COVER	21346	2		S-1554
15	20815	LIFTING EYE	17105	2		S-1554
16	X-8L-604	CAPSCREW		8	3/8"-16X1-1/4"	
17	K-2262	OIL SEAL W/SLINGER	19109 20807 20808	1	"FOR MECHANICAL COVER"	K-1991,K-1992,K-2043,K-3753,K-3754
18	4301960	SEAL		1		A-6299
19	A-6299	SPACER-SLINGER ASSY	21359 ,4301959	1		
20	K-3651	OIL SEAL TOOL KIT		1		

**IMPORTANT**

**PLEASE VERIFY THE PART NUMBER ON THE COMPONENT TO ENSURE PROPER PART REPLACEMENT INFORMATION**



10301C-05-08

\* Bushing quantity requirements: #1 Housing – Upper bore use 4 #12815 / Lower bore use 2 #8677.

#2 Housing – Upper bore use 2 #12815 and 1 #8677 / Lower bore use 2 #8677.

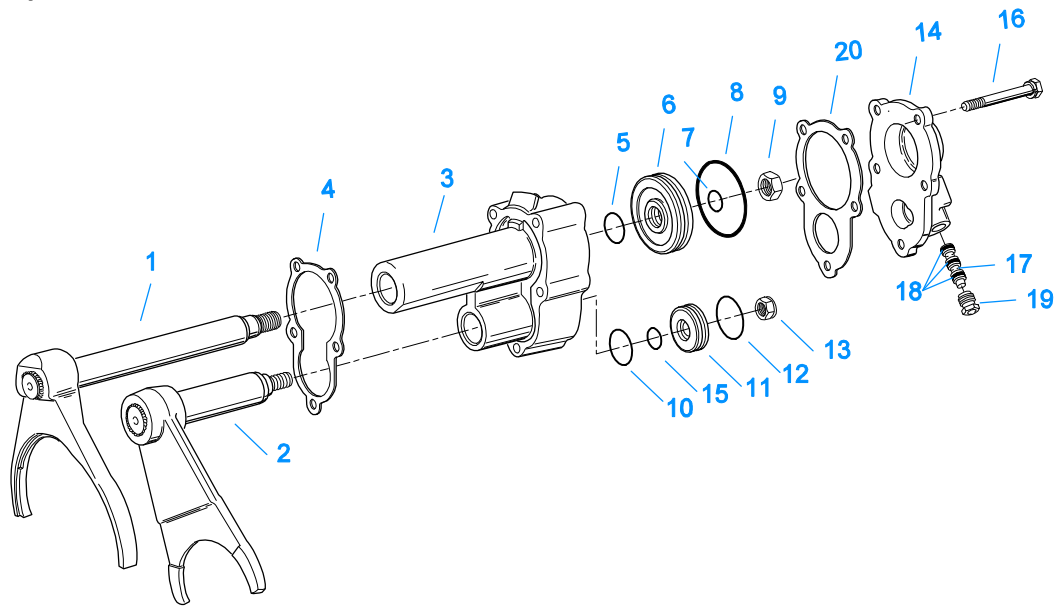
**Note: Some part requirements are specific to #1 or #2 Clutch Housings and Push or Pull type Clutch.**

**CASE (FRONT)**

Item	Current Part	Description	Replaced Part	Qty.	Notes	Kits/Assys Where Needed
1	S-1546	CASE ASSY	21525	1	FOR USE W/INTEGRAL PUMP	
1	S-1548	CASE ASSY	21315	1		
1	S-2496	CASE ASSY		1	SEVERE DUTY - REMAN	
2	X-12-2007	PIPE PLUG	X12 2006	1		
3	X-12-1207	PIPE PLUG	X12 1202 X12 1206	1	3/4" MAGNETIC	
4	4305310	GASKET	4302810	1		K-2061
5	4302809	PTO COVER	16596 ,4300571	1		
6	X-8-725	CAPSCREW	X 8 724	8	7/16"-14X7/8"	
7	4306584	CLUTCH HOUSING GASKET	4304815,4305668	1		K-2061
8	A-3713	CLUTCH HOUSING ASSY	A - 3700	1	#1 PUSH-PULL IRON	
8	A-3723	CLUTCH HOUSING ASSY	A - 3721 ,A - 3722	1	#2 PUSH-PULL IRON	
9	239614	SCREW	X-8L-509	4	5/16-18X.81 QUANTITY DEPENDENT ON DESIGN	
10	14506	HAND HOLE COVER		1	#2 PUSH	
10	14507	HAND HOLE COVER		1	#2 PULL	
10	4305230	HAND HOLE COVER	11453	1	#1 PULL	
10	4305231	HAND HOLE COVER	1565	1	#1 PUSH	
11	4306583	STUD	5966	6		
12	X-10-1005	WASHER	X 3 1000 ,X10 1000 ,X10 1004	6	1.23 X 6.60	
13	X-1-1012	HEX NUT	X-1-1005	6	.625-18	
14	20550	FRONT BRG COVER		1	2" PULL	K-2468,K-3753,K-3754,K-4125
15	X-8L-604	CAPSCREW		6	3/8"-16X1-1/4" USE 6 PCS WITH PULL TYPE COVER USE 4 PCS WITH PUSH TYPE COVER	
15	X-8L-619	CAPSCREW		2	3/8"-16X1-1/4" - USE WITH PUSH	

Item	Current Part	Description	Replaced Part	Qty.	Notes	Kits/Assys Where Needed
16	20549	FRONT BRG COVER		1	TYPE COVER	
17	14311	GASKET		1	2" PUSH	K-2061
18	12815	BUSHING		4	FOR #1 HOUSING UPPER	A-3713,A-3723,K-2468,K-3753,K-3754
18	12815	BUSHING		2	FOR #2 HOUSING UPPER	A-3713,A-3723,K-2468,K-3753,K-3754
18	8677	BUSHING		1	FOR #2 HOUSING UPPER	A-3713,A-3723
19	8677	BUSHING		2	FOR #1 AND #2 HOUSING LOWER	A-3713,A-3723
20	X-8C-830	HEX HEAD SCREW/WASHER ASSY	X-8C-826	2	.500-13 X 1.490	
20	X-8C-831	HEX HEAD SCREW/WASHER ASSY	X-8C-822	2	.500-13 X 3.460, USE ON HORIZONTAL CENTER LINE	
21	4304023	PLUG	4303747	1	1-1/16" MAGNETIC, O-RING INCLUDED	S-1546,S-1548,S-2496
22	X-8-686	CAPSCREW		6	3/8"-16X3/4"	
23	14575	PTO COVER	4302254	1		
24	4305309	GASKET	1684	1		K-2061
27	14373	MAGNET		3		K-3753,K-3754,S-1546,S-1548,S-2496
28	18128	PIN		2		
29	X-1-1012	HEX NUT		2	.625-18	
30	X-10-1005	WASHER	X 3 1000 ,X10 1000 .X10 1004	2	1.23 X 6.60	
31	14554	STUD	1632 ,6579	2	5/8" X 2-3/16"	
36	23104	PLUG	1712	2		
37	X-8-1005	CAPSCREW		2	5/8"-11X1-1/4"	
38	20814	SPACER		2		
39	X-12-802	PIPE PLUG	X12 800	1	1/2"	

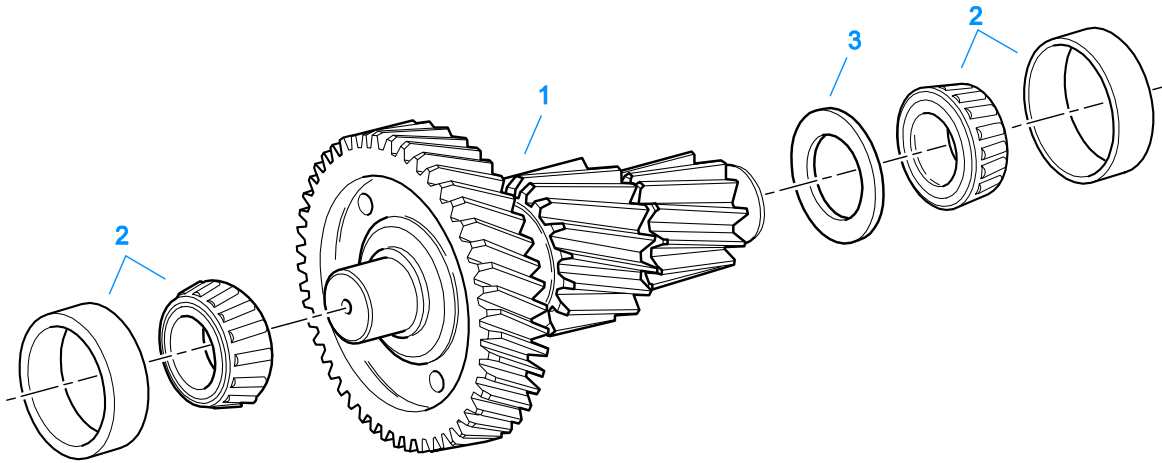




10475-4-92 CMB CYL

**COMBINATION CYLINDER**

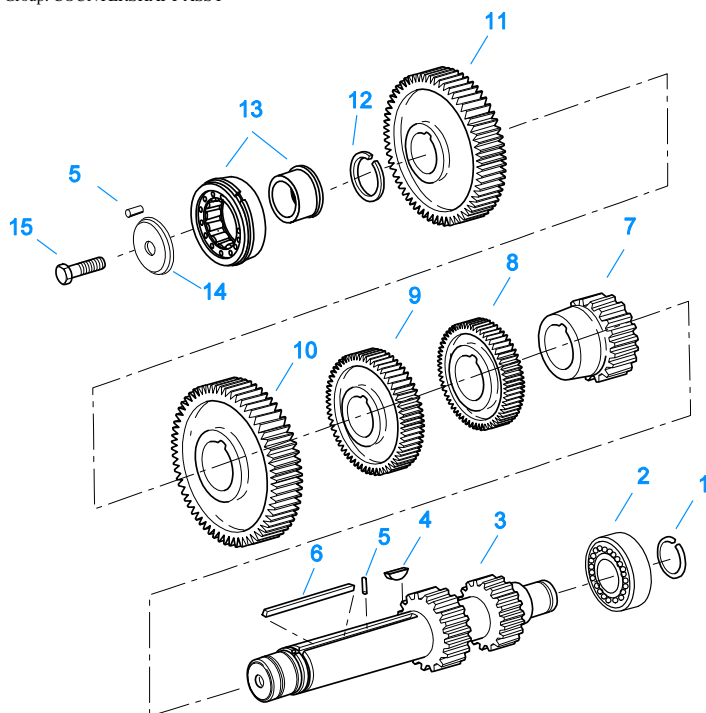
Item	Current Part	Description	Replaced Part	Qty.	Notes	Kits/Assys Where Needed
1	A-5159	YOKE ASSY	21333	1	RANGE	
2	A-5160	YOKE ASSY	21335	1	REDUCTION	
3	21330	CYLINDER		1		
4	21332	GASKET		1		K-2054,K-2061,K-2077
5	14765	-O- RING		1		K-2054
6	14341	PISTON	23353	1		
7	14345	-O- RING		1		K-2054
8	14344	-O- RING		1		K-2054
9	X-1-1010	NUT		1	5/8"-18	
10	14644	-O- RING		1		K-2054
11	K-2427	PISTON KIT	21337 ,4301320	1		
12	20423	-O- RING		1		K-2054
13	X-1-803	NUT		1	1/2"-20	
14	21329	CYLINDER COVER		1		
15	21338	GASKET		1	USE W/21337 PISTON	K-2054,K-2061,K-2077
15	4301348	-O- RING		1	USE W/4301320 PISTON	K-2054,K-2427
16	X-8L-631	CAPSCREW	X 8 631	5	3/8"-16X3-1/2"	
17	19974	INSERT VALVE	15512 4303616	1		K-1991,K-1992,K-2043,K-3753,K-3754
18	13653	-O- RING		3		K-1457
19	15719	PLUG		1		
20	21331	GASKET		1		K-2054,K-2061,K-2077,K-2427



10445-12-93 AUXCS

### COUNTERSHAFT & BRGS(AUX)

Item	Current Part	Description	Replaced Part	Qty.	Notes	Kits/Assys Where Needed
1	K-3499	COUNTERSHAFT REPL KIT	A - 6841	2		
2	4302074-BOX	BEARING	21343,4302074	4		K-1991,K-1992,K-2043,K-3753,K-3754
3	21342	SPACER		2		



10341-1/92 CS/RT

## COUNTERSHAFT ASSY

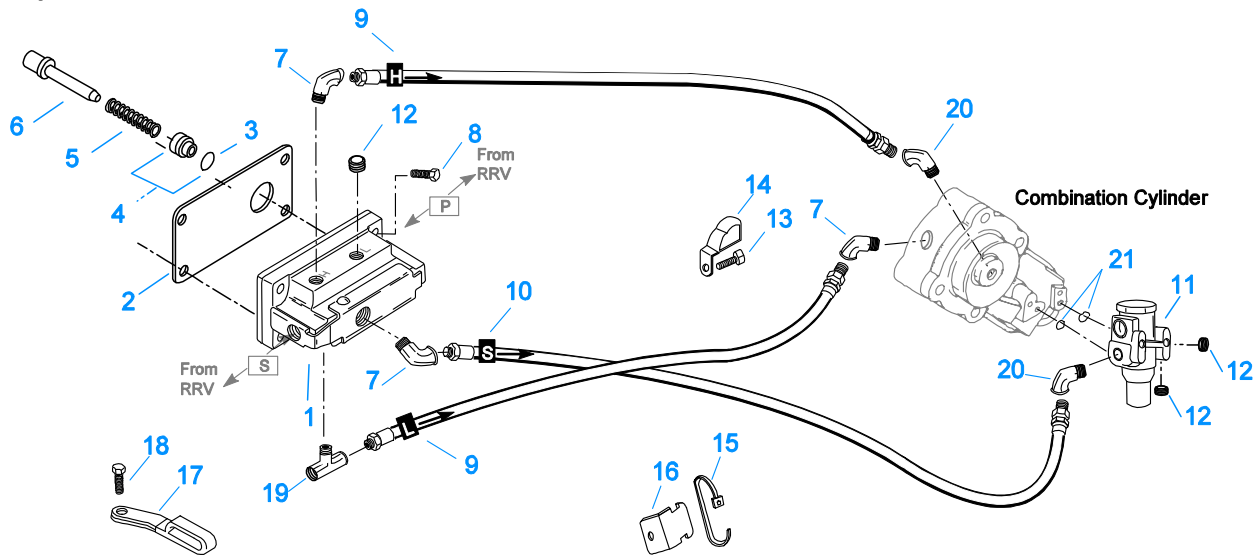
Item	Current Part	Description	Replaced Part	Qty.	Notes	Kits/Assys Where Needed
1	14317	SNAP RING		2		K-1991,K-1992,K-2043,K-2064,K-3753,K-3754
2	4303031	BEARING	14366	2		K-1991,K-1992,K-2043,K-3753,K-3754
3	K-1926	COUNTERSHAFT REPL KIT	20462 ,20463	2		
4	X-6-E	KEY		2		
5	62511	ROLL PIN		4		
6	4304840	KEY	19673	2		K-1926
7	20382	2ND GEAR-CNTRSHFT	19269 ,4302103 ,4303512	2		
8	20380	3RD GEAR-CNTRSHFT	19627	2		
9	4305661	OD GEAR-CNTRSHFT	19631 19633 20481 ,4302233,20459	2		K-3753,K-3754
10	15953	PTO GEAR - LOWER		1		
10	16390	NO LONGER AVAILABLE		2	OPTIONAL IF PTO GEARS ARE NOT USED	
10	20840	PTO GEAR - UPPER	15952	1		
11	20461	DRIVE GEAR-CNTRSHFT	19643 19645 20378	2		K-3753,K-3754
12	19198	SNAP RING		2		K-3753,K-3754
13	4304599	BEARING	4302677 4304598	2		K-1991,K-1992,K-2043,K-3753,K-3754
14	4304605	RETAINER	19548	2	ROLL PIN NO LONGER REQUIRED	
15	X-7-1005	CAPSCREW		2	5/8"-18X1-3/4"	

Group: FILTER REGULATOR



## FILTER REGULATOR

Item	Current Part	Description	Replaced Part	Qty.	Notes	Kits/Assys Where Needed
1	K-2170	FILTER REG KIT	A - 5454	1		
2	K-1698	-O- RING/ELEMENT KIT		1	FOR FILTER REGULATOR	
3	X-8C-412	CAPSCREW	X 8S 412	2	1/4"-20X2-1/4"	

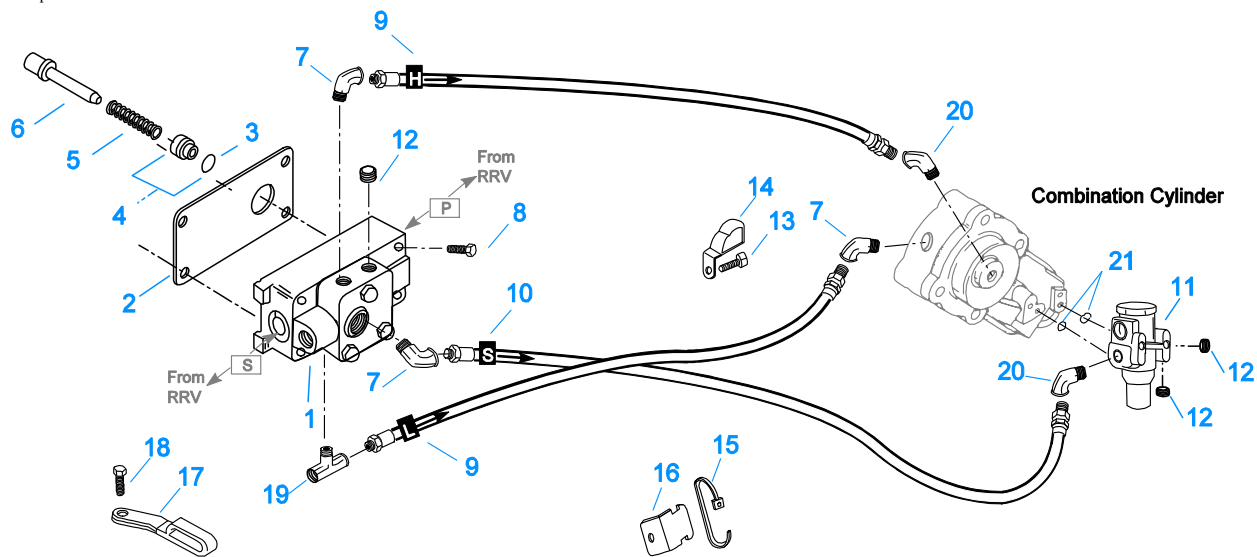


10111F-11-93 19470 HC

### H & C W/19470 VALVE

Item	Current Part	Description	Replaced Part	Qty.	Notes	Kits/Assys Where Needed
1	K-2424	VALVE REPLACEMENT KIT	19470	1		
2	19481	GASKET		1		K-2061,K-2424
3	19462	-O- RING	14033	1		K-1969
4	K-1969	SLEEVE KIT	14362 ,19460 ,21446	1	FOR SLAVE VALVES	K-3753,K-3754
5	21268	SPRING	19572	1		
6	20490	PIN	19459	1		
7	12845	ELBOW		3	1/8"	K-3753,K-3754
8	X-8C-401	CAPSCREW		4	1/4"-20X1-1/8"	
9	55509	HOSE ASSY		2	34"	K-3753,K-3754
10	55528	HOSE ASSY		1	36"	K-3753,K-3754
11	K-2170	FILTER REG KIT	A - 5454	1		
12	X-12-208	PIPE PLUG		3	1/8" NPT	
13	X-8L-601	CAPSCREW		1	3/8"-16X3/4"	
14	21427	HOSE CLAMP		1		K-3753,K-3754
15	21425	STRAP		1		K-3753,K-3754
16	21426	BRACKET		1		K-3753,K-3754
17	21428	HOSE CLAMP		1		K-3753,K-3754
18	X-8L-604	CAPSCREW		1	3/8"-16X1-1/4"	
19	21086	BRANCH TEE		1	1/8"	K-3753,K-3754
20	12880	ELBOW		2	1/8"	K-3753,K-3754
21	15114	-O- RING		2		A-5000,K-1935,K-2054,K-2170,K-3753,K-3754

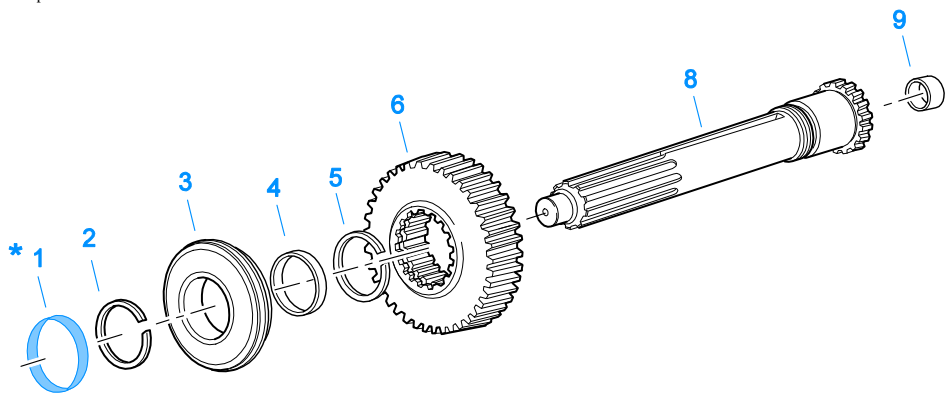
Group: H & C W/A-5000 VALVE



10110H-11-93 A-5000 HC

## H & C W/A-5000 VALVE

Item	Current Part	Description	Replaced Part	Qty.	Notes	Kits/Assys Where Needed
1	A-5000	SLAVE VALVE ASSY	20850	1		K-2424,K-3753,K-3754
2	19481	GASKET		1		K-2061,K-2424
3	19462	-O- RING	14033	1		K-1969
4	K-1969	SLEEVE KIT	14362 ,19460 ,21446	1	FOR SLAVE VALVES	K-3753,K-3754
5	21268	SPRING	19572	1		
6	20490	PIN	19459	1		
7	12845	ELBOW		3	1/8"	K-3753,K-3754
8	X-8C-411	CAPSCREW		4	1/4"-20X1-3/4"	
9	55509	HOSE ASSY		2	34"	K-3753,K-3754
10	55528	HOSE ASSY		1	36"	K-3753,K-3754
11	K-2170	FILTER REG KIT	A - 5454	1		
12	X-12-208	PIPE PLUG		3	1/8" NPT	
13	X-8L-601	CAPSCREW		1	3/8"-16X3/4"	
14	21427	HOSE CLAMP		1		K-3753,K-3754
15	21425	STRAP		1		K-3753,K-3754
16	21426	BRACKET		1		K-3753,K-3754
17	21428	HOSE CLAMP		1		K-3753,K-3754
18	X-8L-604	CAPSCREW		1	3/8"-16X1-1/4"	
19	21086	BRANCH TEE		1	1/8"	K-3753,K-3754
20	12880	ELBOW		2	1/8"	K-3753,K-3754
21	15114	-O- RING		2		A-5000,K-1935,K-2054,K-2170,K-3753,K-3754



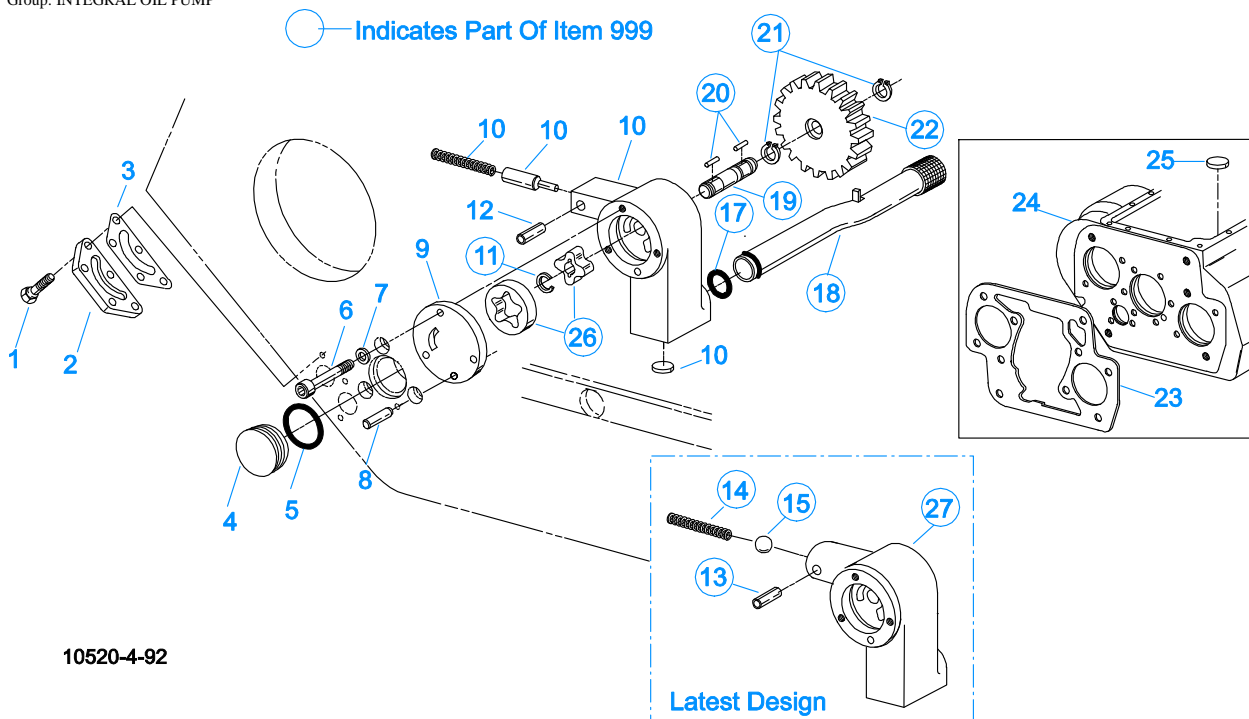
\* For Shipping Only -- Do Not Replace

\*

10370-1/92 IS

### INPUT SHAFT & DRIVE GEAR

Item	Current Part	Description	Replaced Part	Qty.	Notes	Kits/Assys Where Needed
1	23559	SHIPPING SEAL		1	NOT SOLD FOR SERVICE	
2	16980	SNAP RING		1		K-1991,K-1992,K-2468,K-3753,K-3754,K-4125
3	4301417	BEARING	81504	1		K-1991,K-1992,K-2043,K-3753,K-3754
4	16463	SPACER		1		
5	14750	SNAP RING		1		K-1991,K-1992,K-2043,K-2064,K-2468,K-3753,K-3754,K-4125
6	22025	MAIN DRIVE GEAR		1		K-3754
8	S-1659	INPUT SHAFT	20535 23566 4302661	1	2" PULL - USE W/FBC 20550	K-1991,K-1992,K-2468,K-3753,K-3754,K-4125
8	S-1660	INPUT SHAFT	20536 ,23567	1	2" PUSH - USE W/FBC 20549	
9	16566	BUSHING		1		K-2043,S-1659,S-1660

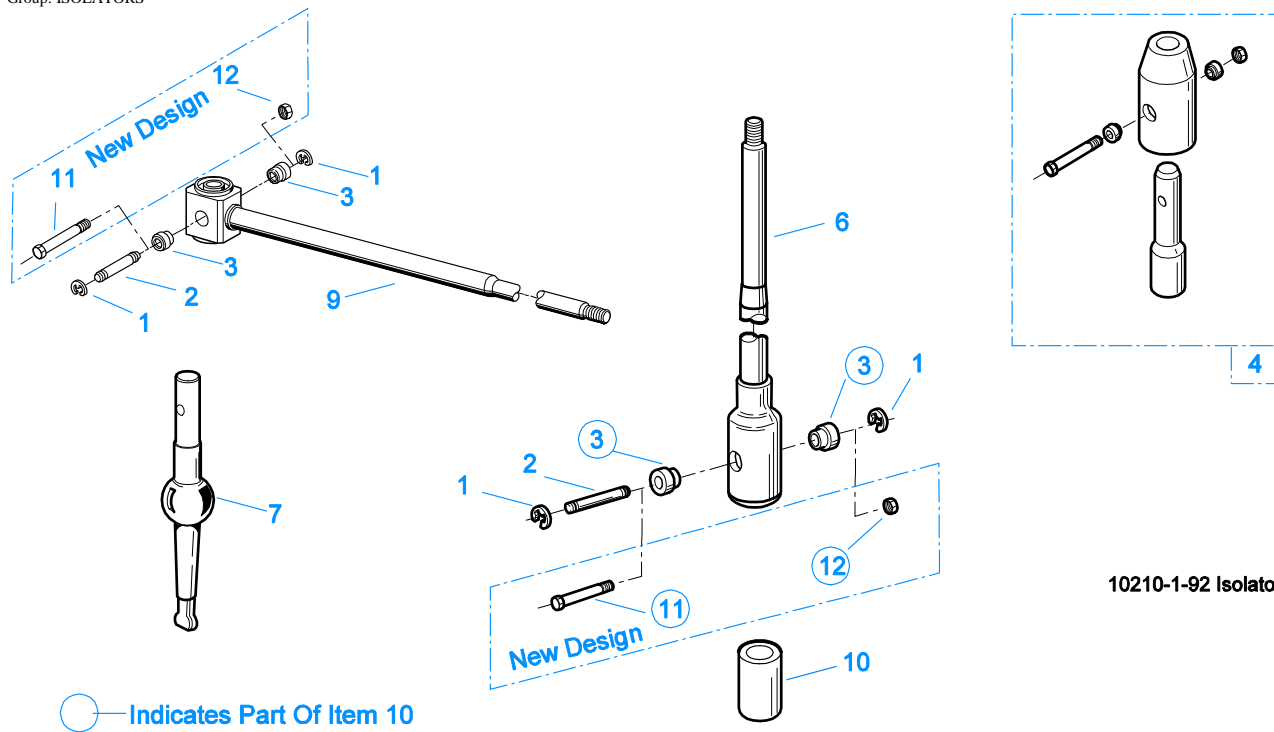


### INTEGRAL OIL PUMP

Item	Current Part	Description	Replaced Part	Qty.	Notes	Kits/Assys Where Needed
1	X-8C-409	CAPSCREW		5	1/4"-20X5/8"	
1	X-8C-430	CAPSCREW		5	1/4"-20X7/8"	
2	K-2402	COVER & SCREW KIT	4300751	1		
3	20514	GASKET		1		K-2061,K-2402
4	20823	PLUG		1		
5	14765	-O- RING		1		K-2054
6	X-8-448	SCREW	X 8 445	3	1/4"-20X1-1/4"	
7	20824	WASHER		3		K-3367,K-3753,K-3754
8	20825	DOWEL PIN		1		
9	4303107	RETAINER	20510	1		S-1546
10	K-3367	OIL PUMP KIT	4301829 ,4301948 ,4303776 ,4304529 ,4304572 A - 6963 ,A - 7173	1		
11	20518	CRESCENT RING		1		
12	62516	ROLL PIN	62521	1		
13	62514	ROLL PIN		1		
14	K-3367	OIL PUMP KIT	4301829 ,4301948 ,4303776 ,4304529 ,4304572 A - 6963 ,A - 7173	1		
15	X-14-700	STEEL BALL		1	7/16"	
17	20225	-O- RING		1		K-3753,K-3754
18	4305713	SUCTION TUBE	4304628	1	O-RING INCLUDED ON SUCTION TUBE	K-3367
19	20508	DRIVE SHAFT		1		
20	20509	KEY		2		
21	14853	SNAP RING		2		
22	20511	GEAR-DRIVE		1		
23	4306584	CLUTCH HOUSING	4304815,4305668	1		K-2061
24	S-1546	GASKET		1		
25	14373	CASE ASSY	21525	1	FOR USE W/INTEGRAL PUMP	
		MAGNET		3		K-3753,K-3754,S-1546,S-1548,S-2496
26	20507	ELEMENT		1		
27	K-3367	OIL PUMP KIT	4301829 ,4301948 ,4303776 ,4304529 ,4304572 A - 6963 ,A - 7173	1		



Item	Current Part	Description	Replaced Part	Qty.	Notes	Kits/Assys Where Needed
999	K-3367	OIL PUMP KIT	4301829 ,4301948 ,4303776 ,4304529 ,4304572 A - 6963 ,A - 7173	1		



10210-1-92 Isolator

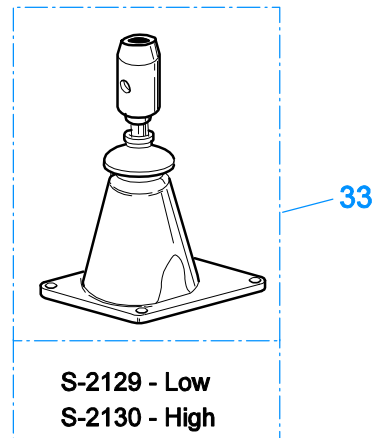
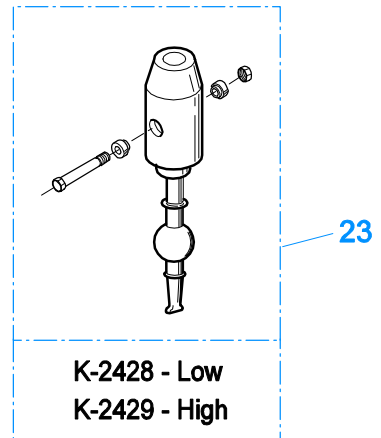
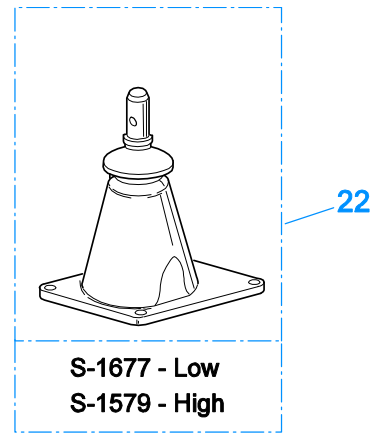
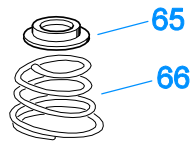
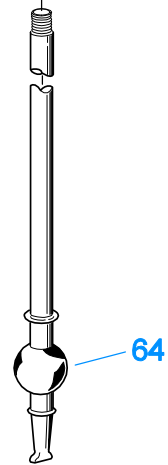
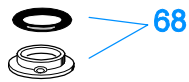
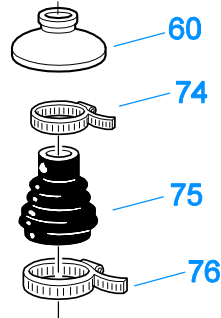
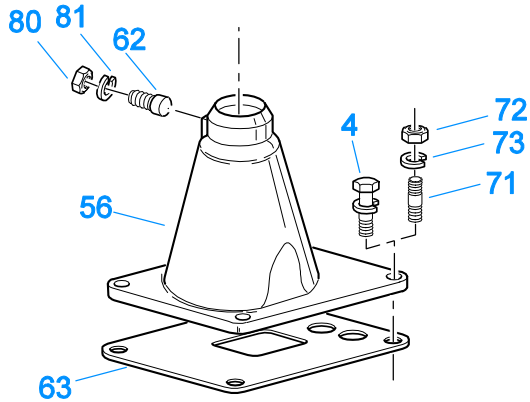
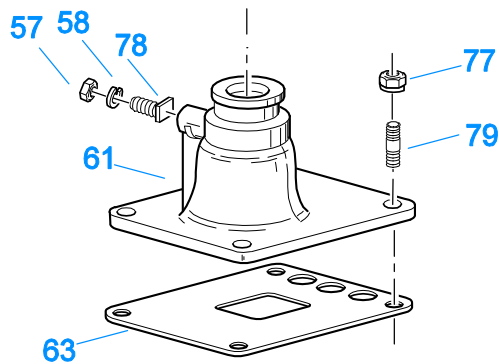
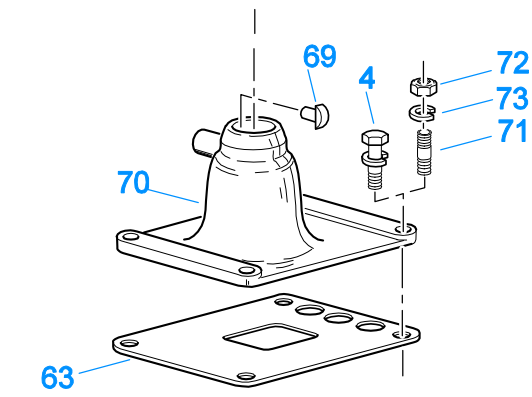
## ISOLATORS

Item	Current Part	Description	Replaced Part	Qty.	Notes	Kits/Assys Where Needed
1	19124	-E- RING		2		
2	K-3467	PIN REPLACEMENT KIT	21245	1		
3	21246	BUSHING		2		K-2003,K-2428,K-2429,K-3399,S-2129,S-2130
4	S-1794	ISOLATOR ASSY		1		
6	21247	LEVER		1	STRAIGHT 18.67"	
7	21235	STUB LEVER		1	LOW TOWER	K-2428,S-1677
7	21236	STUB LEVER		1	HIGH TOWER	K-2429,S-1579,S-2130
9	21767	90 DEG LEVER		1	STRAIGHT 33"	
10	K-3399	ISOLATOR BUSHING KIT	21244 ,23311	1		
11	X-8-560	SCREW		1		
12	X-9-503	NUT		1		

## KITS & ASSEMBLIES

Item	Current Part	Description	Replaced Part	Qty.	Notes	Kits/Assys Where Needed
K-1457		-O- RING KIT		1	FOR INSERT VALVE	
K-1476		SHIFT LEVER HSG	4530 ,17163 ,18298 ,4304905 ,A - 4437	1	LOW TOWER	
K-1631		SHIFT LEVER HSG	14456 ,17168 ,4304327	1	LOW	
K-1698		-O- RING/ELEMENT KIT		1	FOR FILTER REGULATOR	
K-1922		MASTER VALVE REPAIR KIT		1	FOR A-5015 VALVE	
K-1926		COUNTERSHAFT REPL KIT	20462 ,20463	1		
K-1935		REPAIR KIT-SLAVE VALVE		1	FOR A-5000 VALVE	
K-1956		COOLER INSTLN KIT		1		
K-1969		SLEEVE KIT	14362 19460 21446	1	FOR SLAVE VALVES	K-3753,K-3754
K-1991		BASIC OVERHAUL KIT		1	RT	
K-1992		BASIC OVERHAUL KIT		1	RTO-RTX	
K-2003		PIN & BUSHING KIT		1		
K-2043		BASIC REBUILD KIT	K - 2044	1		
K-2054		-O- RING KIT		1		K-1991,K-1992,K-2043,K-3753,K-3754
K-2055		MASTER VALVE REPAIR KIT		1	FOR A-5315 VALVE	
K-2061		GASKET KIT		1		K-1991,K-1992,K-2043,K-3753,K-3754
K-2064		SMALL PARTS KIT		1		
K-2077		GASKET KIT		1	FOR AUXILIARY SECTION	
K-2262		OIL SEAL W/SLINGER	19109 20807 20808	1	"FOR MECHANICAL COVER"	K-1991,K-1992,K-2043,K-3753,K-3754
K-2366		KEY & WASHER KIT	21326 ,4300763 ,4304614	1	CONTAINS 3-SIDED KEY	
K-2394		AIR SYSTEMS TOOL KIT		1		
K-2424		VALVE REPLACEMENT KIT	19470	1		
K-2427		PISTON KIT	21337 ,4301320	1		
K-2428		LEVER REPLACEMENT KIT		1	LOW TOWER	
K-2429		LEVER REPLACEMENT KIT		1	HIGH TOWER	
K-2468		CLUTCH INSTALLATION KIT		1	FOR USE WITH S-1659 INPUT SHAFT ASSY AND 81504 INPUT SHAFT BEARING	
K-2805		SHIM KIT	21452 K - 2106	1		K-1991,K-1992,K-2043,K-3753,K-3754,S-1554
K-2959		COUNTERSHAFT REPL KIT	20802 ,23125 ,4300447	1		
K-2973		SHIFT LEVER HSG KIT	17166 ,17167 ,4303050 ,4304910 ,K - 1630 K - 1941	1	HIGH TOWER	
K-3152		WASHER UPDATE KIT		1	RTO/RTX/F	
K-3153		WASHER UPDATE KIT		1	RT/F	
K-3192		MASTER VALVE REPAIR KIT		1	FOR A-6915 VALVE	
K-3194		MASTER VALVE REPAIR KIT		1	FOR A-7315 VALVE	
K-3209		IDLER SHAFT REPL KIT	16405 ,4302981 ,4305513	1		
K-3367		OIL PUMP KIT	4301829 ,4301948 ,4303776 ,4304529 ,4304572 A - 6963 ,A - 7173	1		
K-3399		ISOLATOR BUSHING KIT	21244 ,23311	1		
K-3467		PIN REPLACEMENT KIT	21245	1		
K-3492		SYNCHRONIZER KIT	K - 2446	1		
K-3494		SYNCHRONIZER REPLACEMENT KIT	K - 2448	1	SLIDING CLUTCH INCLUDED IN KIT	
K-3499		COUNTERSHAFT REPL KIT	A - 6841	1		
K-3651		OIL SEAL TOOL KIT		1		

Item	Current Part	Description	Replaced Part	Qty.	Notes	Kits/Assys Where Needed
K-3753		MASTER REBUILDER KIT		1	USE TO REBUILD RT-14715 WITH SELECTIVE WASHERS ONLY	
K-3754		MASTER REBUILDER KIT		1	USE TO REBUILD RTO-14715 WITH SELECTIVE WASHERS ONLY	
K-4125		CLUTCH INSTALLATION KIT (RT), HYDRAULIC RELEASE		1	STANDARD RT INPUT SHAFT AND YOKE FOR HYDRAULIC CLUTCH RELEASE	
S-1219		YOKE ASSY LOW-REV		1		
S-1404		OIL FILTER	17238	1		
S-1440		SHIFT BAR HSG (STD)	15890 ,15928 ,16913 ,17115 ,17180 17182 ,17428 ,18571 ,18640 ,18644 18840 ,18847 ,19448 ,19449 ,19453 19454 ,19455 ,19605 ,20074 ,20210 20211 ,21133 ,22955 ,S - 1360 ,S - 1364 S - 1376 ,S - 1377	1	HOUSING ONLY	
S-1441		SHIFT BAR HSG (F)	15891 ,16340 ,16564 ,17114 ,17128 17181 ,17218 ,17492 ,17577 ,17900 18203 ,18436 ,18642 ,18646 ,18886 19159 ,19450 ,19451 ,19456 ,19457 19458 ,19717 ,19956 ,20072 ,20212 20213 ,21134 ,22956 ,S - 1106 ,S - 1361 S - 1370 ,S - 1374 ,S - 1375 ,S - 1378	1	HOUSING ONLY	
S-1445		SHIFT BAR HSG (X)	18920 ,20135 ,20214 ,20215 ,20487 21135 ,4302452	1	HOUSING ONLY (X)	
S-1446		SHIFT BAR HSG (XF)	18925 ,20136 ,20216 ,20217 ,20488 21136 ,S - 1361	1	HOUSING ONLY (XF)	
S-1516		CAP ASSY	20851 ,20853	1		
S-1527		SHIFT BAR HSG ASSY (X)	20215 ,21135 ,4302452	1	COMPLETE (X)	
S-1528		SHIFT BAR HSG ASSY (XF)	20217 ,21136	1	COMPLETE (XF)	
S-1529		SHIFT BAR HSG ASSY (F)	20213 ,22956	1	COMPLETE	
S-1531		SHIFT BAR HSG ASSY (STD)	20211 ,22955	1	COMPLETE	
S-1546		CASE ASSY	21525	1	FOR USE W/INTEGRAL PUMP	
S-1548		CASE ASSY	21315	1		
S-1554		RANGE SECTION ASSY		1		
S-1659		INPUT SHAFT	20535 23566 4302661	1	2" PULL - USE W/FBC 20550	K-1991,K-1992,K-2468,K-3753,K-3754,K-4125
S-1660		INPUT SHAFT	20536 ,23567	1	2" PUSH - USE W/FBC 20549	
S-1794		ISOLATOR ASSY		1		
S-2129		SHIFT LEVER HSG ASSY		1	LOW TOWER	
S-2130		SHIFT LEVER HSG ASSY	S - 2053	1	HIGH TOWER	
S-2164		REAR BRG COVER ASSY	22733 ,4302026 ,S - 1553 ,S - 2367	1	MECHANICAL AND MAGNETIC	
S-2553		ROADRANGER VALVE ASSY	A - 5044	1	RT - W/SHIFT DIAGRAM MEDALLION	
S-2554		ROADRANGER VALVE ASSY	A - 5046	1	RTO - W/SHIFT DIAGRAM MEDALLION	
S-2688		MAINSHAFT ASSY	4303404 4303913	1		K-3152,K-3153

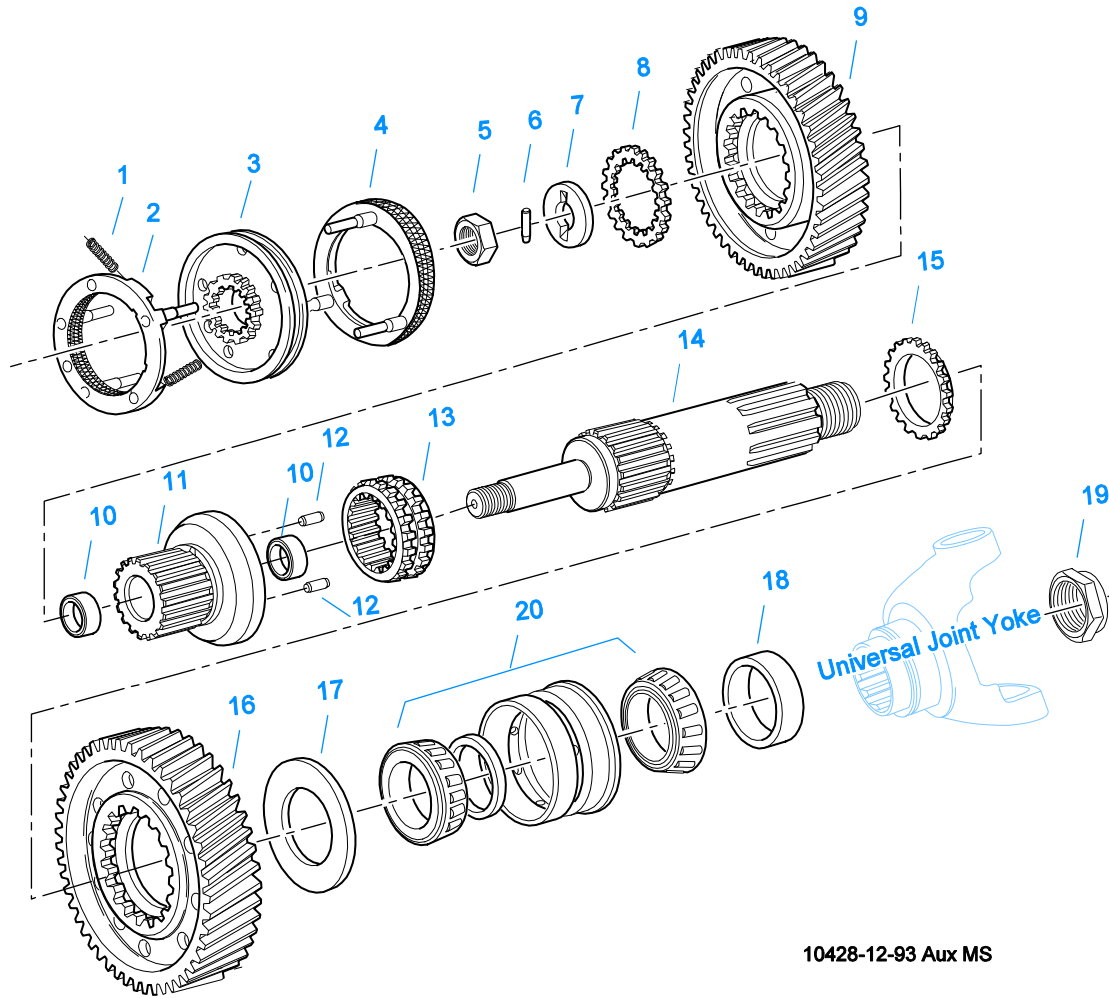


10202-6-94

## LEVERS/HOUSINGS

Item	Current Part	Description	Replaced Part	Qty.	Notes	Kits/Assys Where Needed
4	X-8C-604	CAPSCREW		4	3/8"-16X1-1/4"	S-1445,S-1446,S-1527,S-1528,S-1529,S-1531
22	S-1579	SHIFT TOWER ASSY		1	HIGH TOWER	
22	S-1677	SHIFT TOWER ASSY		1	LOW TOWER	
23	K-2428	LEVER REPLACEMENT KIT		1	LOW TOWER	
23	K-2429	LEVER REPLACEMENT KIT		1	HIGH TOWER	
33	S-2129	SHIFT LEVER HSG ASSY		1	LOW TOWER	
33	S-2130	SHIFT LEVER HSG ASSY	S - 2053	1	HIGH TOWER	

Item	Current Part	Description	Replaced Part	Qty.	Notes	Kits/Assys Where Needed
56	K-2973	SHIFT LEVER HSG KIT	17166 ,17167 ,4303050 ,4304910 ,K - 1630 K - 1941	1	HIGH TOWER	
57	X-1-500	NUT		1	5/16"-24	
58	X-3-500	LOCKWASHER		1	5/16"	
60	10427	BOOT		1		K-1476,K-2973,S-1579,S-1677,S-2130
61	K-1631	SHIFT LEVER HSG	14456 ,17168 ,4304327	1	LOW, USE W/14795 BOOT	
62	6541	PIN		1	3/8"	
63	4305294	GASKET	4303431	1		K-1476,K-1631,K-2061,K-2428,K-2429,K-2973,S-1527,S-1528,S-1529,S-1531,S-1579,S-1677,S-2129,S-2130
64	17600	GEAR SHIFT LEVER		1	STRAIGHT - LOW 21-1/2"	
64	18482	GEAR SHIFT LEVER		1	STRAIGHT - HIGH 35"	
65	2538	RETAINER		1		K-1476,K-2973,S-1579,S-1677,S-2130
66	2536	SPRING		1		K-1476,K-2973,S-1579,S-1677,S-2130
68	K-3376	O-RING & WASHER KIT	4301211	1		
69	18299	PIN		1		K-1476,S-1677
70	K-1476	SHIFT LEVER HSG	4530 ,17163 ,18298 ,4304905 ,A - 4437 7467	1	LOW TOWER	
71	11934	STUD		4		
72	X-1-600	NUT		4	3/8"-24-N.F.PLAIN	
73	X-3-600	LOCKWASHER		4	3/8"	
74	14453	CLAMP		1		
75	14795	BOOT		1		
76	14454	CLAMP		1		
77	X-1-604	NUT		4	3/8"-24	
78	14461	PIN		1		
79	14236	NO LONGER AVAILABLE		4		
80	X-1-600	NUT		1	3/8"-24-N.F.PLAIN	
81	X-3-600	LOCKWASHER		1	3/8"	



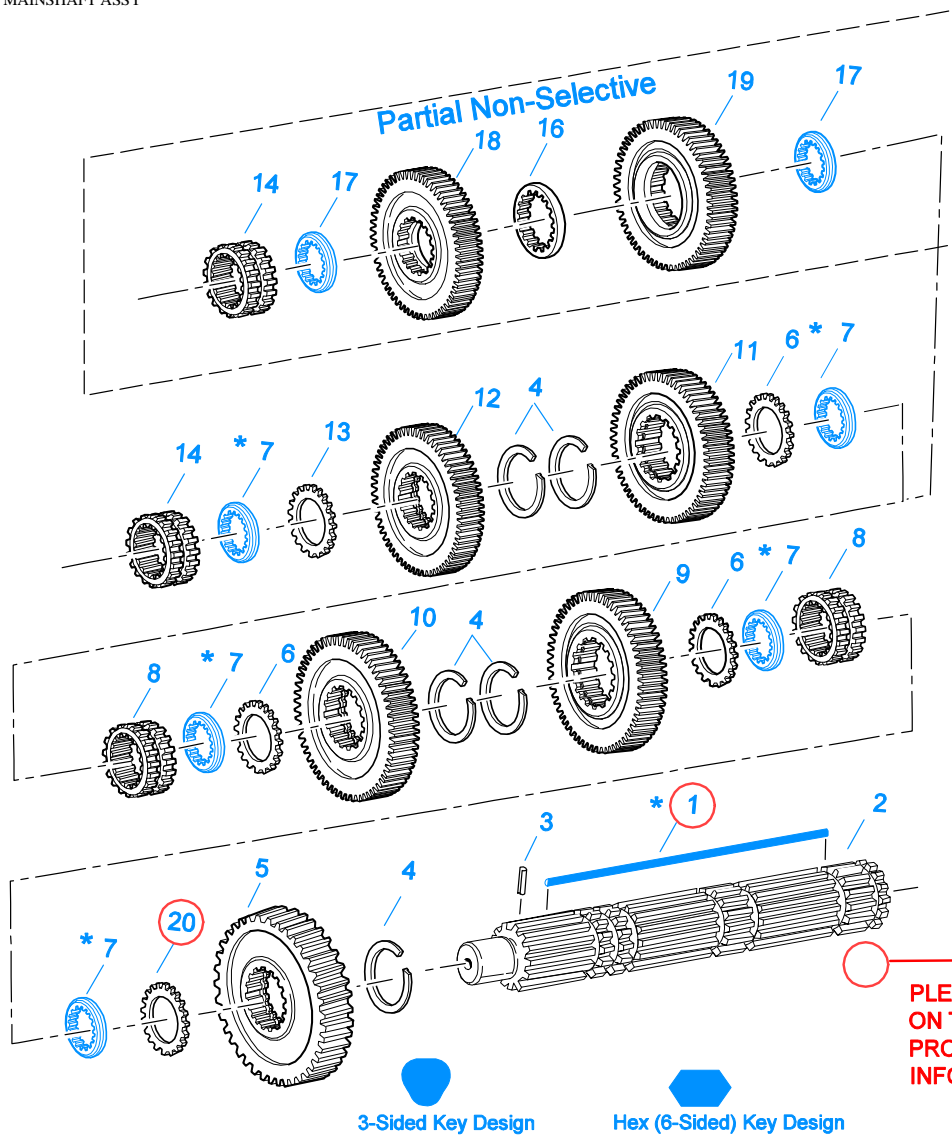
10428-12-93 Aux MS

### MAINSHAFT & SYNCHRO(AUX)

Item	Current Part	Description	Replaced Part	Qty.	Notes	Kits/Assys Where Needed
1	14897	SPRING		3		K-1991,K-1992,K-2043,K-2064,K-3492,K-3494,K-3753,K-3754
2	A-7331	SYNCHRONIZER ASSY	4304396 4304397 A - 5917	1	HI RANGE	K-3492,K-3494,K-3753,K-3754
3	20323	SLIDING CLUTCH		1		K-3494,K-3753,K-3754
4	A-7254	SYNCHRONIZER ASSEMBLY	A - 4937 A - 5876	1	LO RANGE	K-3492,K-3494,K-3753,K-3754
5	21365	NUT		1		K-2064,K-3753,K-3754
6	17332	DOWEL PIN		1		K-2064
7	21347	WASHER		1		K-2064,K-3753,K-3754
8	21350	WASHER		1		K-2064,K-3753,K-3754
9	21319	REDUCTION GEAR		1		
10	21352	BUSHING		2		A-5156,K-1991,K-1992,K-2043,K-3753,K-3754
11	A-5156	MAINSHAFT ASSY	21351	1		
12	21652	PIN		2		K-2064
13	21360	SLIDING CLUTCH		1		
14	21325	MAINSHAFT		1		
15	21354	WASHER		1		K-2064,K-3753,K-3754
16	21361	DEEP REDUCTION GEAR		1		
17	21358	WASHER		1		K-2064,K-3753,K-3754
18	20191	ROTOR	16295	1		
19	22254	NUT	11956	1		K-3753,K-3754,S-1554
20	21356-BOX	BEARING	21356	1		K-1991,K-1992,K-

Item	Current Part	Description	Replaced Part	Qty.	Notes	Kits/Assys Where Needed
						2043,K-3753,K-3754





**IMPORTANT**

PLEASE VERIFY THE PART NUMBER  
ON THE COMPONENT TO ENSURE  
PROPER PART REPLACEMENT  
INFORMATION

\* Updating to 3-Sided Key is Recommended.  
When Updating to 3-Sided Key Replace all Washers to Match Key Design  
Always Use Matching Key and Washer Sets (See Appendix - Mainshaft Washers)

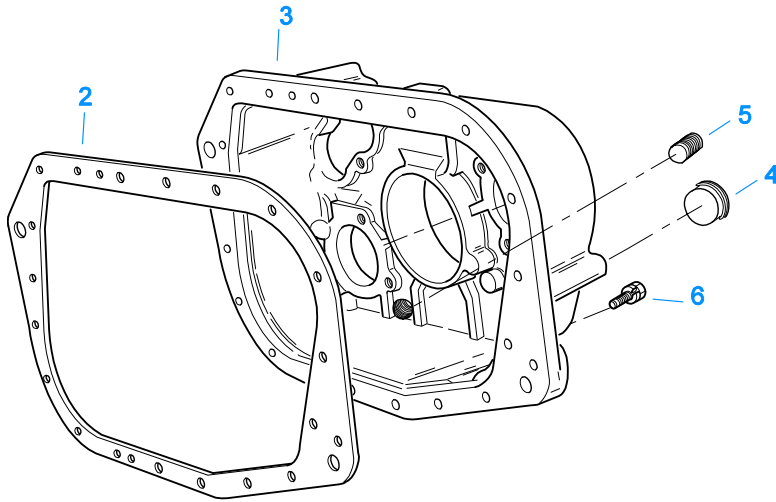
10320C-05-08

**MAINSHAFT ASSY**

Item	Current Part	Description	Replaced Part	Qty.	Notes	Kits/Assys Where Needed
1	4304614	3-SIDED KEY	4300890	1		K-2366,K-3152,K-3153,K-3753,K-3754
1	4304615	3-SIDED KEY	4300120	1	SEVERE DUTY - REMAN	
1	K-2366	KEY & WASHER KIT	21326 ,4300763 ,4304614	1	CONTAINS 3-SIDED KEY	
2	S-2688	MAINSHAFT ASSY	4303404 4303913	1		K-3152,K-3153
3	62504	ROLL PIN		1		S-2688
4	14750	SNAP RING		5		K-1991,K-1992,K-2043,K-2064,K-2468,K-3753,K-3754,K-4125
5	16949	REVERSE GEAR-MAINSHAFT		1		
6	14749	SPACER		3		K-2064
7	14711	WASHER .248-.250 WHITE	18701	5	OPTIONAL 14711-14716 USE ANY 5	K-2064

Item	Current Part	Description	Replaced Part	Qty.	Notes	Kits/Assys Where Needed
7	14712	WASHER .253-.255 GREEN	18702	5	WASHERS USE WITH 21326 KEY	
					OPTIONAL 14711-14716 USE ANY 5	K-2064
7	14713	WASHER .258-.260 ORANGE	18703	5	WASHERS USE WITH 21326 KEY	
					OPTIONAL 14711-14716 USE ANY 5	K-2064
7	14714	WASHER .263-.265 PURPLE	18704	5	WASHERS USE WITH 21326 KEY	
					OPTIONAL 14711-14716 USE ANY 5	
7	14715	WASHER .268-.270 YELLOW	18705	5	WASHERS USE WITH 21326 KEY	
					OPTIONAL 14711-14716 USE ANY 5	
7	14716	WASHER .273-.275 BLACK	18706	5	WASHERS USE WITH 21326 KEY	
					OPTIONAL 14711-14716 USE ANY 5	
7	4300382	WASHER .249-WHITE		5		K-2366,K-3753,K-3754
7	4300383	WASHER .254-GREEN		5	OPTIONAL 4300382-4300387 OR 4300830 USE ANY 5 WASHERS. USE WITH 3-SIDED KEY	K-2366,K-3753,K-3754
7	4300384	WASHER .259-ORANGE		5	OPTIONAL 4300382-4300387 OR 4300830 USE ANY 5 WASHERS. USE WITH 3-SIDED KEY	K-2366,K-3753,K-3754
7	4300385	WASHER .264-PURPLE		5	OPTIONAL 4300382-4300387 OR 4300830 USE ANY 5 WASHERS. USE WITH 3-SIDED KEY	
7	4300386	WASHER .269-YELLOW		5	OPTIONAL 4300382-4300387 OR 4300830 USE ANY 5 WASHERS. USE WITH 3-SIDED KEY	
7	4300387	WASHER .274-BLACK		5	OPTIONAL 4300382-4300387 OR 4300830 USE ANY 5 WASHERS. USE WITH 3-SIDED KEY	
7	4300830	WASHER .244-BLUE		5		K-2366,K-3753,K-3754
8	16118	SLIDING CLUTCH		2		K-1991
9	20383	1ST GEAR-MAINSHAFT	19616	1		
10	20381	2ND GEAR-MAINSHAFT	19268 ,4302104	1		
11	20379	3RD GEAR-MAINSHAFT	19626	1		
12	4302088	OD GEAR-MAINSHAFT	22027 ,22031	1		K-3754
13	22032	SPACER		1		K-2064
14	4304317	SLIDING CLUTCH	22026	1		K-1992,K-3753,K-3754
16	4303603	WASHER	4302397	1		K-3152,K-3153
17	4302398	WASHER		2	USE 3-SIDED KEY ONLY	K-3152,K-3153
18	4302381	OD GEAR-MAINSHAFT	4302382 4302383	1	USE 3-SIDED KEY ONLY	K-3152
19	4302484	3RD GEAR-MAINSHAFT	4302483	1	USE 3-SIDED KEY ONLY	K-3152,K-3153
20	14749	SPACER		1		K-2064
20	4302047	SPACER		1	SEVERE DUTY - REMAN	

Group: MISC.(INT. BOX)  
 Sub-Group: REAR HOUSING ASSY.



10407B-6-94 Thru Sh PTO

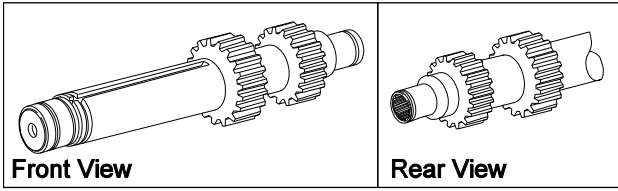
**MISC.(INT. BOX)**

**REAR HOUSING ASSY.**

Item	Current Part	Description	Replaced Part	Qty.	Notes	Kits/Assys Where Needed
2	14335	GASKET		1		
3	21316	REAR HOUSING		1		
4	21073	EXPANSION PLUG		1		
5	X-12-1207	PIPE PLUG	X12 1202 ,X12 1206	1	3/4" MAGNETIC	
6	X-8L-601	CAPSCREW		3	3/8"-16X3/4"	

Group: MISC.(INT. BOX)  
Sub-Group: THRU-SHAFT PTO C/S

1



10450-5/93 CS PTO

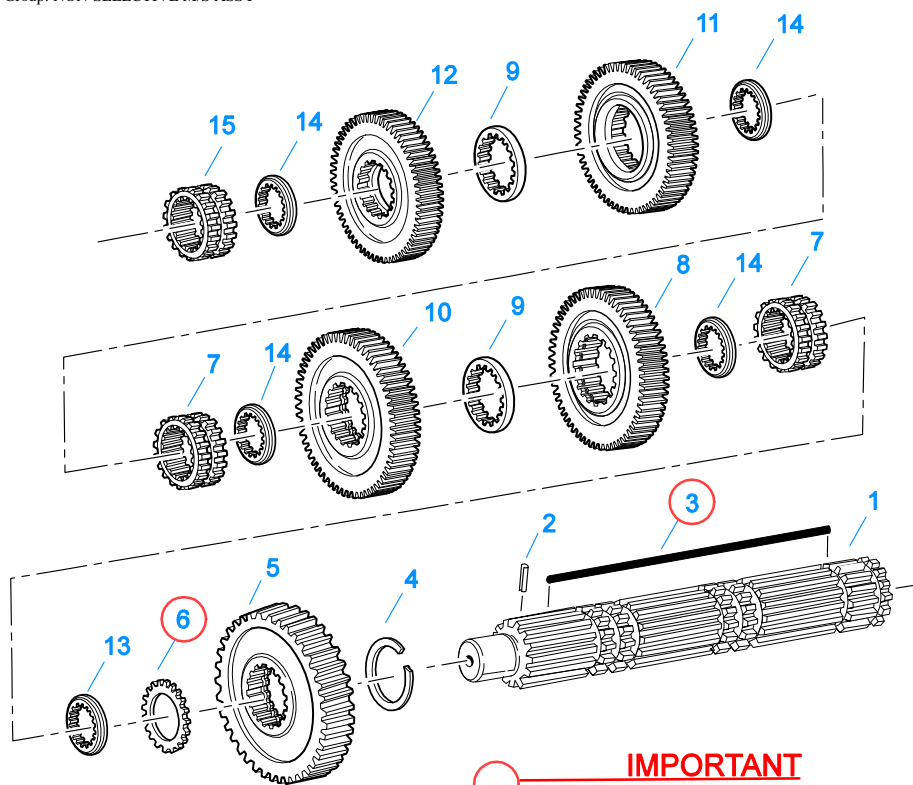
## MISC.(INT. BOX)

### THRU-SHAFT PTO C/S

Item	Current Part	Description	Replaced Part	Qty.	Notes	Kits/Assys Where Needed
1	K-2959	COUNTERSHAFT REPL KIT	20802 ,23125 ,4300447	1		

## MISCELLANEOUS

Item	Current Part	Description	Replaced Part	Qty.	Notes	Kits/Assys Where Needed
20467		SHIFT DIAGRAM LABEL	19832 ,20404	1	RTO/RTOF	
20468		SHIFT DIAGRAM LABEL	19829 ,20403	1	RT/RTF/RTX/RTXF	
21075		WARNING LABEL		1		
71203		SILICONE LUBE		1	8 OZ (236.59 CC)-FLEET SIZE	
71204		ADHESIVE SEALANT		1	0.5 CC (SINGLE APPLICATION SIZE)	
71205		SEALANT		1	2 CC (SINGLE APPLICATION SIZE)	K-1991,K-1992,K-3753,K-3754
71206		SILICONE LUBE		1	4 CC (SINGLE APPLICATION SIZE)	K-2054,K-2428,K-2429



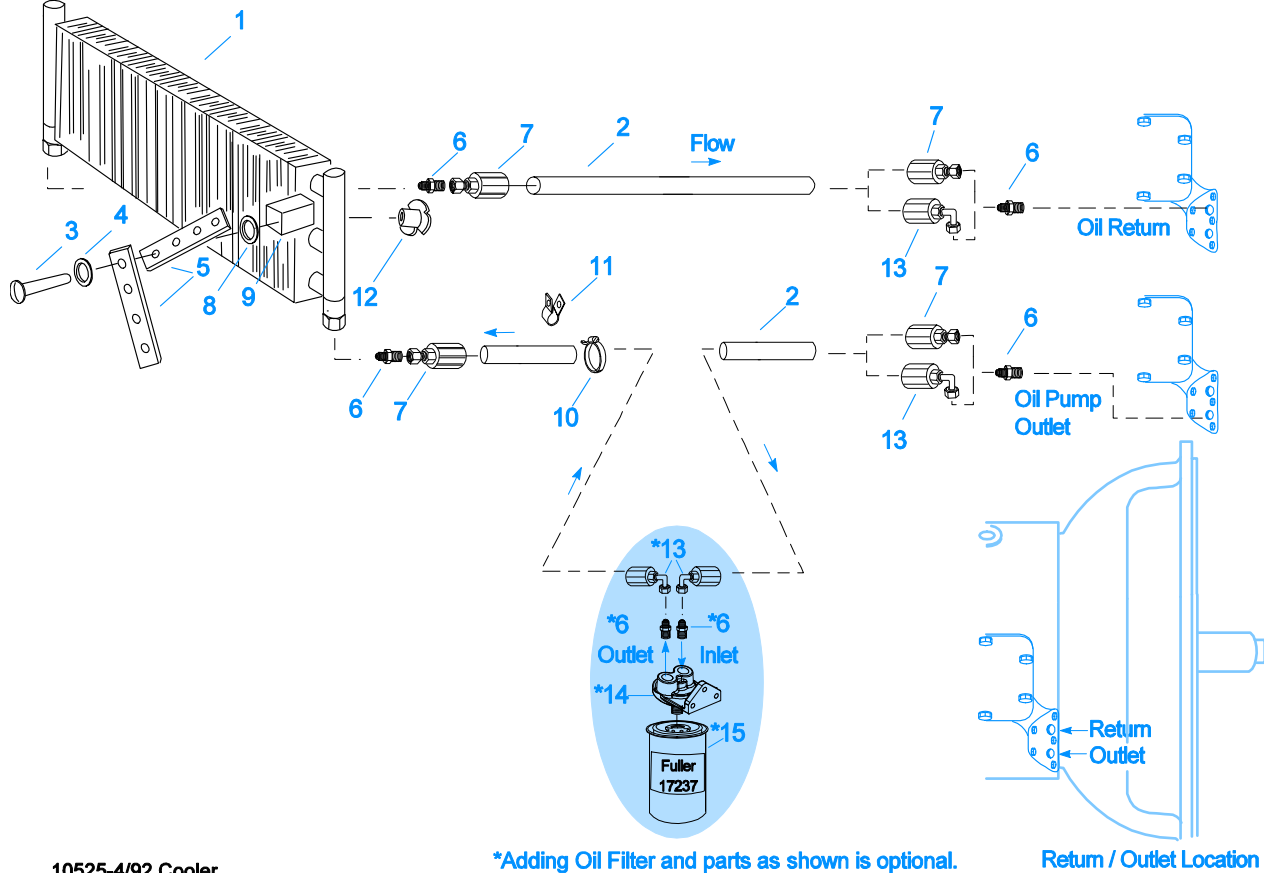
**IMPORTANT**  
 PLEASE VERIFY THE PART NUMBER  
 ON THE COMPONENT TO ENSURE  
 PROPER PART REPLACEMENT  
 INFORMATION

10337C-05-08

### NON-SELECTIVE M/S ASSY

Item	Current Part	Description	Replaced Part	Qty.	Notes	Kits/Assys Where Needed
1	S-2688	MAINSHAFT ASSY	4303404 4303913	1		K-3152,K-3153
2	62504	ROLL PIN		1		S-2688
3	4304614	3-SIDED KEY	4300890	1		K-2366,K-3152,K-3153,K-3753,K-3754
3	4304615	3-SIDED KEY	4300120	1	SEVERE DUTY - REMAN	
4	14750	SNAP RING		1		K-1991,K-1992,K-2043,K-2064,K-2468,K-3753,K-3754,K-4125
5	16949	REVERSE GEAR-MAINSHAFT		1		
6	14749	SPACER		1		K-2064
6	4302047	SPACER		1	SEVERE DUTY - REMAN	
7	16118	SLIDING CLUTCH		2		K-1991
8	4303429	1ST GEAR-MAINSHAFT		1		K-3152,K-3153
9	4303603	WASHER	4302397	2		K-3152,K-3153
10	4303428	2ND GEAR-MAINSHAFT	4303411	1		K-3152
11	4302484	3RD GEAR-MAINSHAFT	4302483	1		K-3152,K-3153
12	4302381	OD GEAR-MAINSHAFT	4302382 4302383	1		K-3152
13	4300830	WASHER .244-BLUE		1		K-2366,K-3753,K-3754
14	4302398	WASHER		4		K-3152,K-3153
15	4304317	SLIDING CLUTCH	22026	1		K-1992,K-3753,K-3754

Group: OIL COOLER



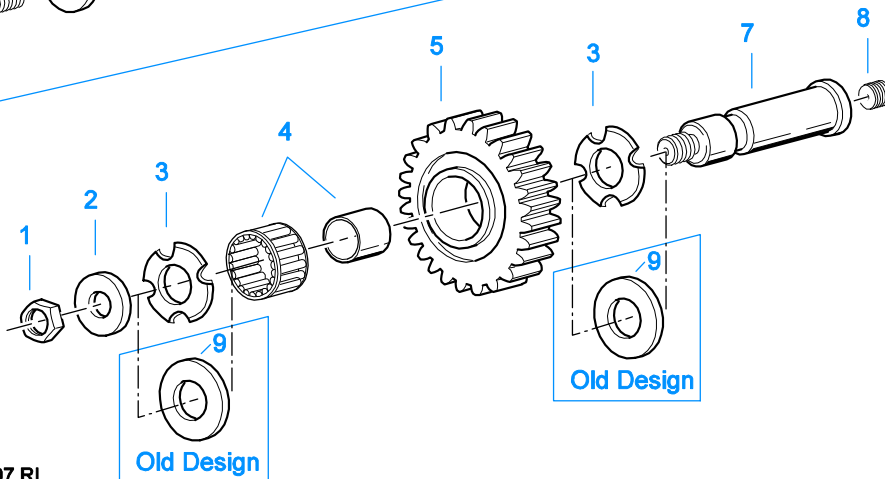
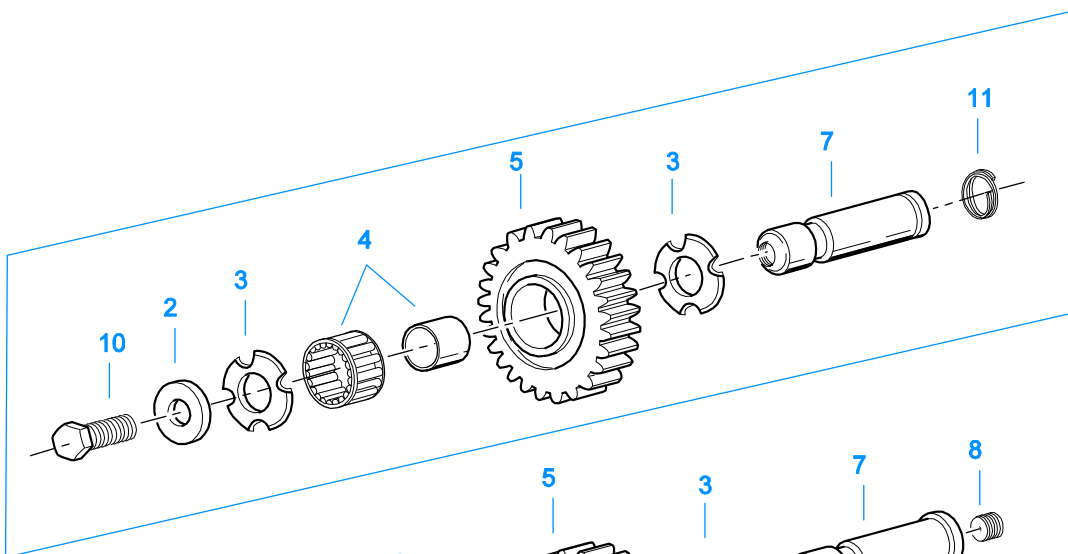
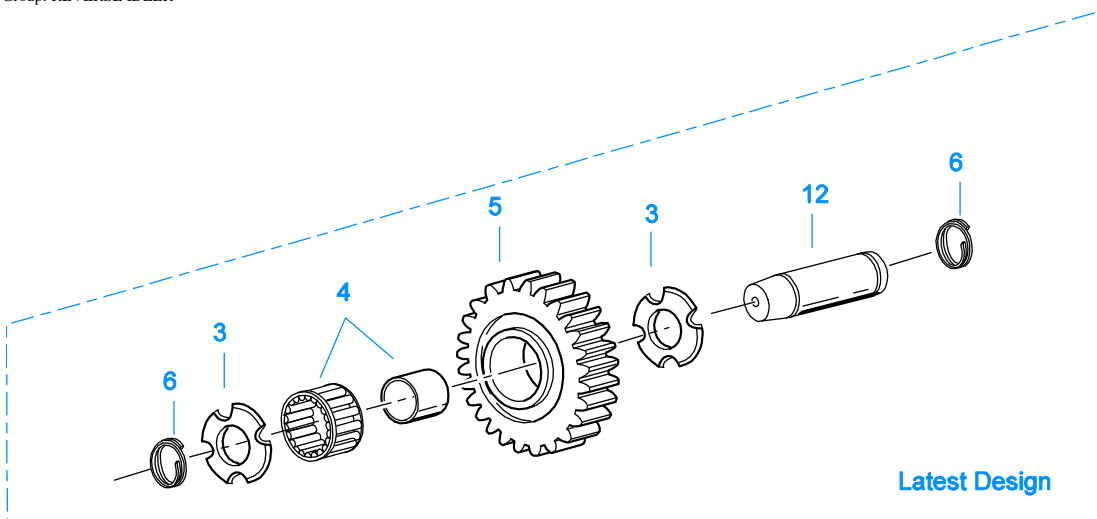
10525-4/92 Cooler

\*Adding Oil Filter and parts as shown is optional.

Return / Outlet Location

## OIL COOLER

Item	Current Part	Description	Replaced Part	Qty.	Notes	Kits/Assys Where Needed
1	18025	OIL COOLER		1		K-1956
2	19424	HOSE		1	25 FEET	K-1956
3	X-8-535	CAPSCREW		2	5/16"-16X2-1/2"	
4	X-3-506	LOCKWASHER		2	5/16"	
5	18211	BRACKET		4		K-1956
6	19419	CONNECTOR		6		K-1956,S-1404
7	19415	SWIVEL		4		K-1956
8	X-10-501	WASHER		2	5/16"	
9	18209	PLUG-RUBBER MOUNT		2		K-1956
10	17190	STRAP		8		K-1956
11	19423	CLAMP		5		K-1956
12	18210	NUT		2		K-1956
13	19422	ELBOW		2		K-1956
14	S-1404	OIL FILTER	17238	1		
15	17237	FILTER ELEMENT		1		S-1404



11383-5-97 RI

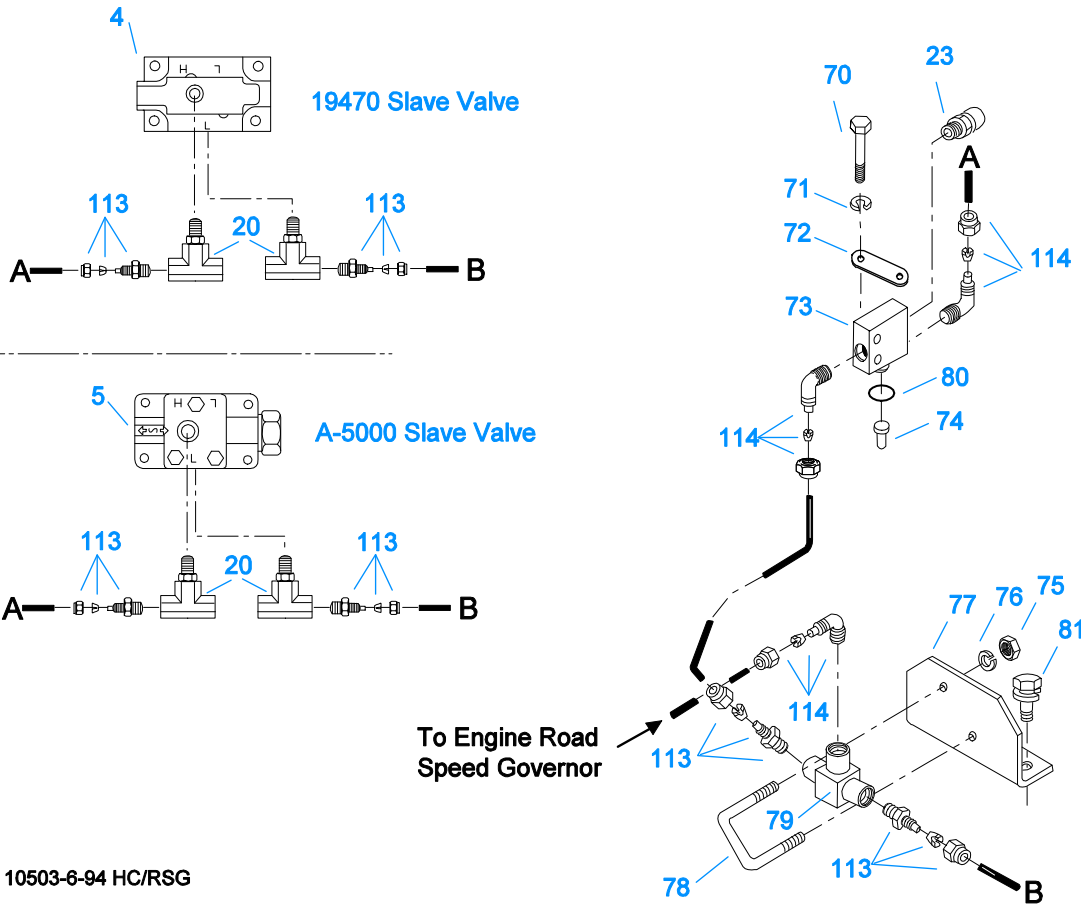
## REVERSE IDLER

Item	Current Part	Description	Replaced Part	Qty.	Notes	Kits/Assys Where Needed
1	X-1-1008	NUT		2	5/8"-18	
2	14283	WASHER		2		
3	4302982	WASHER	14282	4		K-3209,S-1546,S-1548,S-2496
4	14287	BEARING	4305020	2		K-1991,K-1992,K-2043,K-3753,K-3754
5	16953	REVERSE IDLER GEAR		2		
6	4303336	RETAINING RING		4		K-3209,K-3753,K-3754
7	K-3209	IDLER SHAFT REPL KIT	16405 ,4302981	2		



Item	Current Part	Description	Replaced Part	Qty.	Notes	Kits/Assys Where Needed
			,4305513			
8	5202	PLUG		2		
9	14282	NO LONGER AVAILABLE		4		
10	X-7-1008	CAPSCREW		2	5/8"-18X1-1/4	
11	4303336	RETAINING RING		2		K-3209,K-3753,K-3754
12	4305513	IDLER SHAFT		2		K-3209

Group: ROAD SPEED GOVERNOR

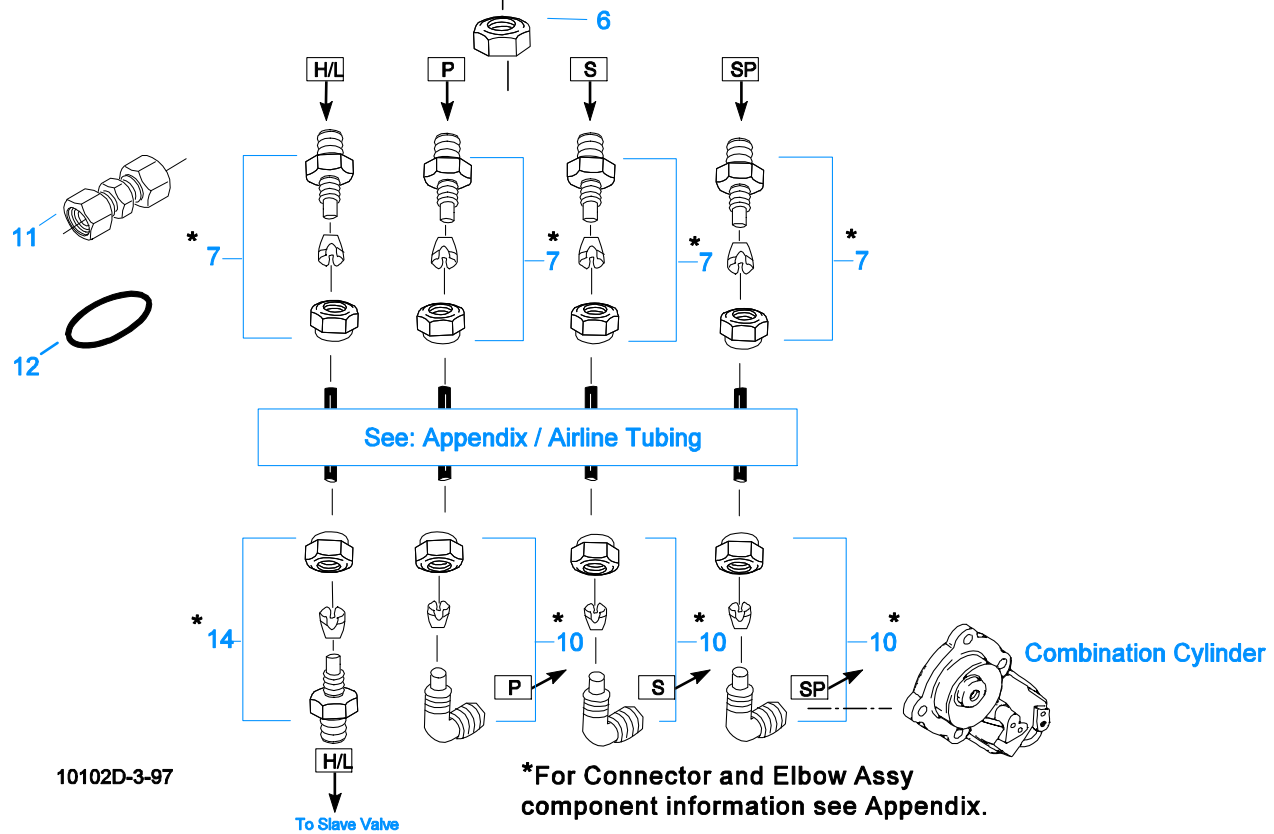
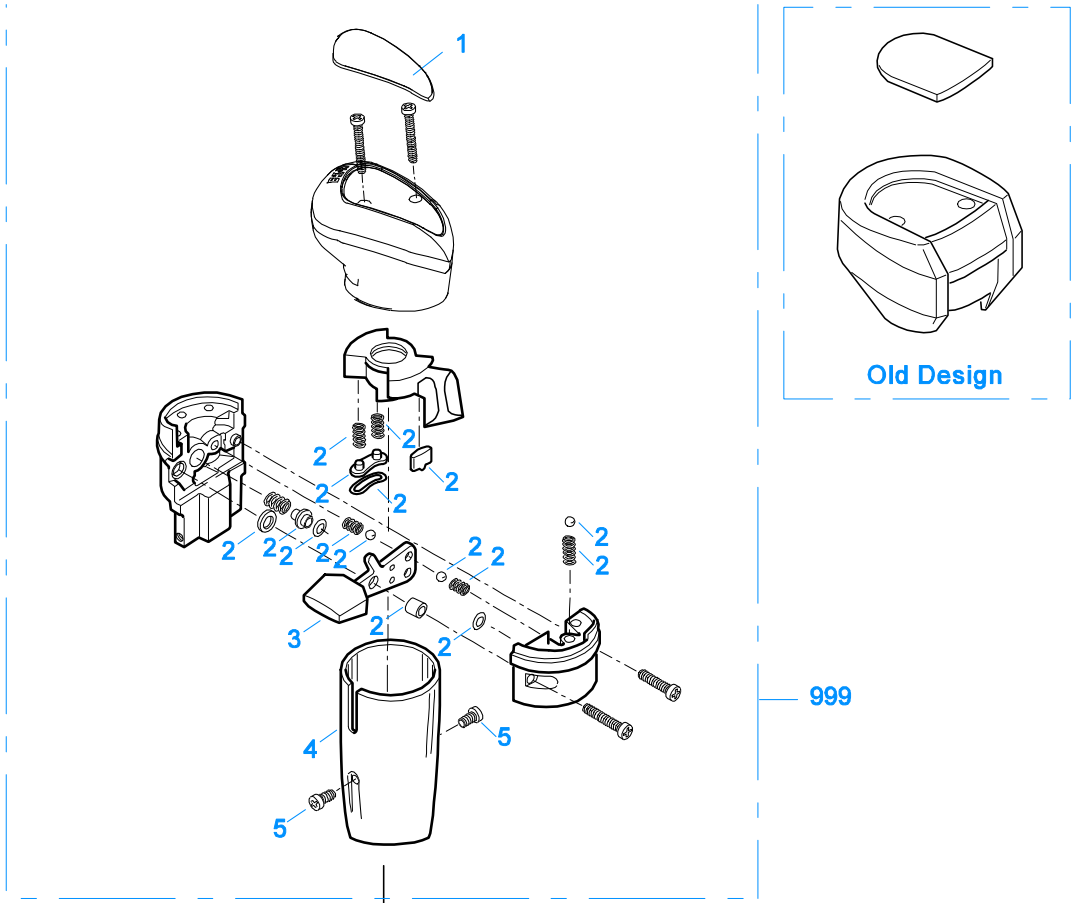


10503-6-94 HC/RSG

## ROAD SPEED GOVERNOR

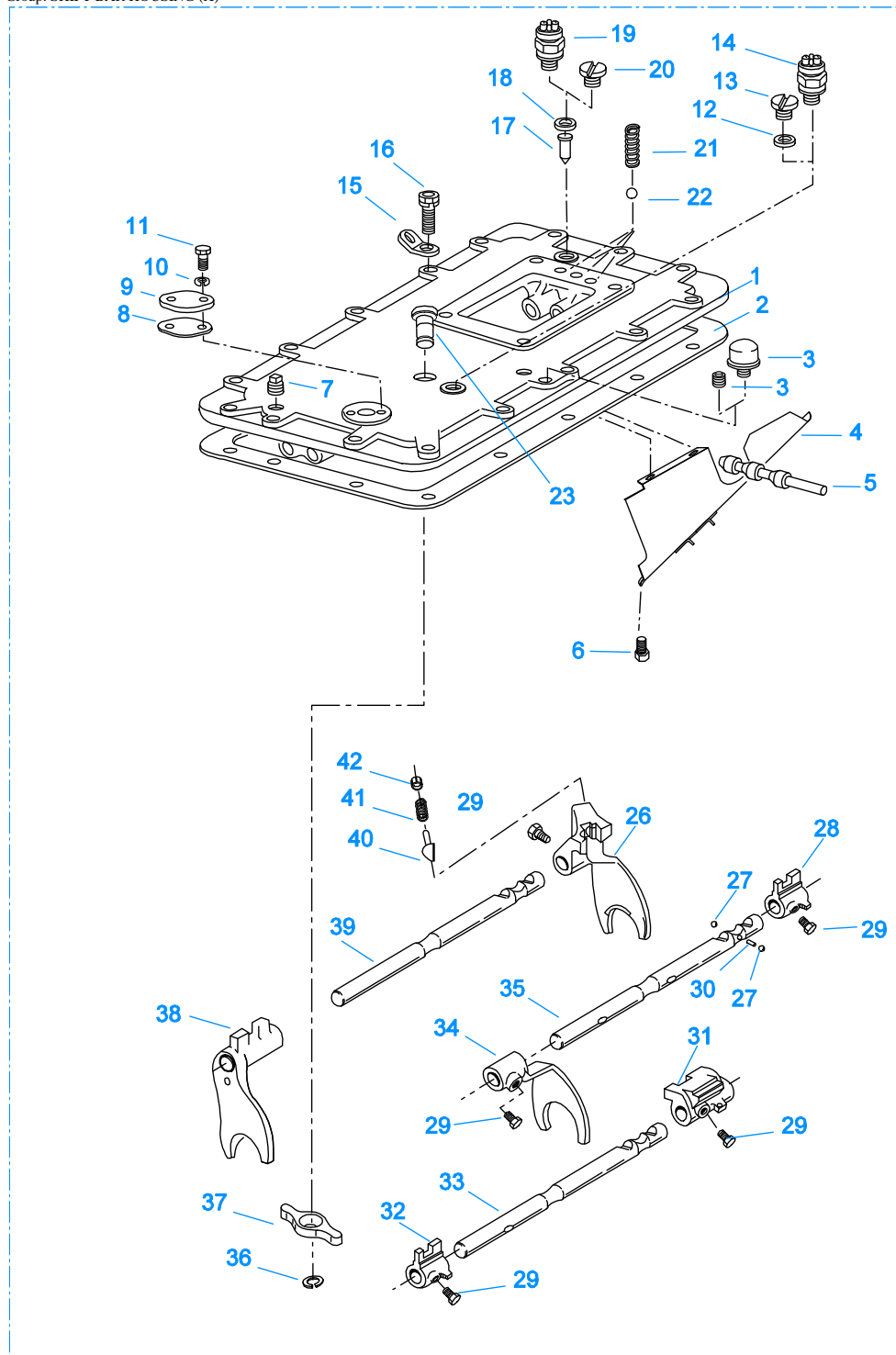
Item	Current Part	Description	Replaced Part	Qty.	Notes	Kits/Assys Where Needed
4	K-2424	VALVE REPLACEMENT KIT	19470	1		
5	A-5000	SLAVE VALVE ASSY	20850	1		K-2424,K-3753,K-3754
20	21086	BRANCH TEE		2	1/8"	K-3753,K-3754
23	7935	BREATHER		1		
70	X-8-434	CAPSCREW		2	1/4"-20X2"	
71	X-3-400	LOCKWASHER		2	1/4"	
72	20199	PLATE	18724	1		S-1440,S-1441,S-1445,S-1446,S-1527,S-1528,S-1529,S-1531
73	18734	VALVE		1		
74	15899	PIN		1	USE FOR RT-RTF-RTO-RTOF	S-1440,S-1441,S-1445,S-1446,S-1527,S-1528,S-1529,S-1531
74	20119	PIN		1	USE FOR RTX-RTXF	
75	X-1-250	NO LONGER AVAILABLE		2	#10-32	
76	X-3-305	LOCKWASHER		2	#10	
77	18685	NO LONGER AVAILABLE		1		
78	18684	NO LONGER AVAILABLE		1		
79	18675	VALVE		1		
80	18656	NO LONGER AVAILABLE		1		
81	X-8L-602	CAPSCREW		2	3/8"-16X1-1/2"	
113	84002	CONNECTOR ASSY	82502	4	1/8" TUBE-1/8" NPTF	
113	84004	CONNECTOR ASSY	82504	4	5/32" TUBE-1/8" NPTF	K-1991,K-1992,K-3753,K-3754
113	84006	CONNECTOR ASSY		4	"PUSH-TO-CONNECT" 5/32" TUBE-1/8" NPTF	
114	85001	ELBOW ASSY	84501	3	5/32" TUBE-1/8" NPTF	K-1991,K-1992,K-3753,K-3754
114	85002	ELBOW ASSY	84502	3	1/8" TUBE-1/8" NPTF	
114	85003	ELBOW ASSY		3	"PUSH-TO-CONNECT" 5/32" TUBE-	

Item	Current Part	Description	Replaced Part	Qty.	Notes	Kits/Assys Where Needed
					1/8"NPTF	



## ROADRANGER VALVE

Item	Current Part	Description	Replaced Part	Qty.	Notes	Kits/Assys Where Needed
1	20107	MEDALLION, LOGO		1	(OLD DESIGN) FULLER LOGO ONLY	
1	21691	LOGO MEDALLION	4302349, 4300370	1	(OLD DESGIN) FULLER LOGO (LEFT OF DRIVER)	
1	5586100	MEDALLION, LOGO		1	(LATEST DESIGN) FULLER LOGO ONLY	A-6915,A-7315
1	5586106	SHIFT DIAGRAM MEDALLION		1	RT	S-2553
1	5586107	SHIFT DIAGRAM MEDALLION		1	RTO	S-2554
2	K-1922	MASTER VALVE REPAIR KIT		1	FOR A-5015 VALVE	
2	K-2055	MASTER VALVE REPAIR KIT		1	FOR A-5315 VALVE	
2	K-3192	MASTER VALVE REPAIR KIT		1	FOR A-6915 VALVE	
2	K-3194	MASTER VALVE REPAIR KIT		1	FOR A-7315 VALVE	
3	20496	LEVER		1		A-6915,A-7315
4	20112	COVER		1		A-6915,A-7315
5	X-8-213	SCREW	X 8 202	2	8-32X3/8"	
6	X-9-802	NUT		1	1/2"-13	
7	84001	CONNECTOR ASSY	82501	4	1/8" TUBE-1/16" NPTF	
7	84003	CONNECTOR ASSY	82503	4	5/32" TUBE-1/16" NPTF	
7	84005	CONNECTOR ASSY		4	"PUSH-TO-CONNECT" 5/32" TUBE-1/16" NPTF	
10	85001	ELBOW ASSY	84501	3	5/32" TUBE-1/8" NPTF	K-1991,K-1992,K-3753,K-3754
10	85002	ELBOW ASSY	84502	3	1/8" TUBE-1/8" NPTF	
10	85003	ELBOW ASSY		3	"PUSH-TO-CONNECT" 5/32" TUBE-1/8" NPTF	
11	84101	UNION ASSY		1	1/8" TUBING	
11	84102	UNION ASSY		1	5/32" TUBING	
11	84103	UNION ASSY		1	"PUSH-TO-CONNECT" 5/32" TUBING	
12	13571	-O- RING CLAMP		2		
14	84002	CONNECTOR ASSY	82502	1	1/8" TUBE-1/8" NPTF	
14	84004	CONNECTOR ASSY	82504	1	5/32" TUBE-1/8" NPTF	K-1991,K-1992,K-3753,K-3754
14	84006	CONNECTOR ASSY		1	"PUSH-TO-CONNECT" 5/32" TUBE-1/8" NPTF	
999	A-6915	ROADRANGER VALVE ASSY	A - 5015	1	STANDARD-W/LOGO	
999	A-7315	ROADRANGER VALVE ASSY	A - 5315	1	(LEFT OF DRIVER)-W/LOGO	
999	S-2553	ROADRANGER VALVE ASSY	A - 5044	1	RT - W/SHIFT DIAGRAM MEDALLION	
999	S-2554	ROADRANGER VALVE ASSY	A - 5046	1	RTO - W/SHIFT DIAGRAM MEDALLION	



999

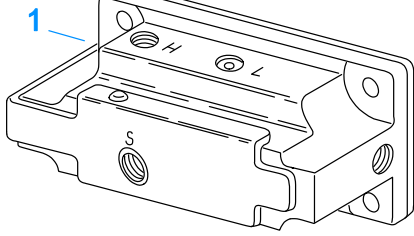
10244-11-96 X-Bar

**SHIFT BAR HOUSING (X)**

Item	Current Part	Description	Replaced Part	Qty.	Notes	Kits/Assys Where Needed
1	S-1445	SHIFT BAR HSG (X)	18920 ,20135 ,20214 ,20215 ,20487 21135	1	HOUSING ONLY (X)	
2	4302676	GASKET	14918	1		K-2061,S-1527,S-1528,S-1529,S-1531
3	4304602	BREATHER	23605	1	1/4" NPT	K-3753,K-3754
3	X-12-404	PIPE PLUG		1	1/4" NPT	
4	20070	OIL TROUGH		1		S-1527,S-1528,S-

Item	Current Part	Description	Replaced Part	Qty.	Notes	Kits/Assys Where Needed
5	20332	AIR VALVE SHAFT	17177	1		1529,S-1531 S-1527,S-1528,S-1529,S-1531
6	X-8-423	CAPSCREW		2	1/4"-20X1/2"	
7	X-12-603	PIPE PLUG	X12 602	1	3/8" NPT	
8	20209	GASKET		1		K-2061,S-1440,S-1441,S-1445,S-1446,S-1527,S-1528,S-1529,S-1531
9	20199	PLATE	18724	1		S-1440,S-1441,S-1445,S-1446,S-1527,S-1528,S-1529,S-1531
10	X-3-400	LOCKWASHER		2	1/4"	
11	X-8-406	CAPSCREW		2	1/4"-20X3/4"	
12	17179	GASKET		1		S-1440,S-1441,S-1445,S-1446,S-1527,S-1528,S-1529,S-1531
13	4303655	PLUG	17178	1		S-1440,S-1441,S-1445,S-1446,S-1527,S-1528,S-1529,S-1531
14	22941	NEUTRAL LIGHT SWITCH	12639	1	SWITCH NORMALLY CLOSED	
15	20815	LIFTING EYE	17105	2		S-1554
16	X-8L-602	CAPSCREW		2	3/8"-16X1-1/2" USE W/20815 LIFTING EYES	
16	X-8L-604	CAPSCREW		16	3/8"-16X1-1/4"- OR USE 14 PCS OF X-8L-604 WITH 2 PCS OF X-8L-602	
17	15899	PIN		1		S-1440,S-1441,S-1445,S-1446,S-1527,S-1528,S-1529,S-1531
18	15900	GASKET		1		S-1440,S-1441,S-1445,S-1446,S-1527,S-1528,S-1529,S-1531
19	22940	REVERSE LIGHT SWITCH	16830	1	SWITCH NORMALLY OPEN	
20	4303656	PLUG	15917	1		S-1440,S-1441,S-1445,S-1446,S-1527,S-1528,S-1529,S-1531
21	15918	SPRING		3		K-1991,K-1992,K-2064,K-3753,K-3754,S-1527,S-1528,S-1529,S-1531
22	X-14-800	STEEL BALL		3	1/2"	
23	K-3104	ACTUATOR PIN KIT	4303287	1		
26	16131	SHIFT YOKE		1	REVERSE/LO	S-1219,S-1527,S-1531
27	X-14-1200	STEEL BALL		2	3/4"	
28	14658	SHIFT BLOCK		1	1ST/2ND	S-1527,S-1531
29	3220	LOCKSCREW		5		S-1527,S-1528,S-1529,S-1531
30	1634	INTERLOCK PIN		1		K-2064,S-1527,S-1528,S-1529,S-1531
31	19063	SHIFT BLOCK		1	3RD/OD	S-1527
32	20120	SHIFT BLOCK	18924	1	3RD/OD	S-1527,S-1528
33	18928	YOKE BAR	4302760	1	3RD/OD	S-1527
33	20117	YOKE BAR		1	3RD/OD - W/ROAD SPEED GOVERNOR	
34	18922	SHIFT YOKE		1	1ST/2ND	S-1527,S-1528
35	18927	YOKE BAR		1	1ST/2ND	S-1527
36	4302070	SNAP RING		1		K-3104,S-1527,S-1528
37	4303225	ACTUATOR		1		S-1527,S-1528
38	4305575	SHIFT YOKE	20450	1	3RD/OD	S-1527,S-1528
39	18926	YOKE BAR		1	REVERSE/LO	S-1527
40	10019	PLUNGER		1		S-1219,S-1527,S-1528,S-1529,S-1531
41	6392	SPRING		1		S-1219,S-1527,S-1528,S-1529,S-1531
42	8968	PLUG		1		S-1219,S-1527,S-1528,S-1529,S-1531
999	S-1527	SHIFT BAR HSG ASSY (X)	20215 ,21135	1	COMPLETE	

Group: SLAVE VALVE - 19470



10121-1/92 19470 SV

## SLAVE VALVE - 19470

Item	Current Part	Description	Replaced Part	Qty.	Notes	Kits/Assys Where Needed
1	K-2424	VALVE REPLACEMENT KIT	19470	1		



Group: SLAVE VALVE - A-5000



2 Repair Kit

10120-10-97 A-5000 SV

### SLAVE VALVE - A-5000

Item	Current Part	Description	Replaced Part	Qty.	Notes	Kits/Assys Where Needed
1	A-5000	SLAVE VALVE ASSY	20850	1		K-2424,K-3753,K-3754
2	K-1935	REPAIR KIT-SLAVE VALVE		1	FOR A-5000 VALVE	
3	20855	PLUG		1		A-5000
4	20854	PISTON		1		A-5000
5	20849	CAP	15131	1		A-5000
7	S-1516	CAP ASSY	20851 ,20853	1		
8	X-8C-413	CAPSCREW		3	1/4"-20X1-1/2"	

