



Roadranger®

More time on the road®

Illustrated Parts List

RTXF-11615
July 2011

Contents

| | |
|---|----|
| How To Use The Illustrated Parts List | 3 |
| AIR SYSTEM REDUCTION | 4 |
| AUXILIARY DRIVE GEAR | 5 |
| CASE (AUX) | 6 |
| CASE (FRONT) | 8 |
| COUNTERSHAFT & BRGS(AUX)..... | 10 |
| COUNTERSHAFT ASSY | 11 |
| FILTER REGULATOR..... | 12 |
| H & C W/19470 VALVE | 13 |
| H & C W/19470 VALVE | 14 |
| H & C W/A-4688 VALVE..... | 15 |
| H & C W/A-4688 VALVE..... | 16 |
| H & C W/A-5000 VALVE..... | 17 |
| H & C W/A-5000 VALVE..... | 18 |
| INPUT SHAFT & DRIVE GEAR | 19 |
| ISOLATORS | 21 |
| KITS & ASSEMBLIES | 22 |
| LEVERS/HOUSINGS | 24 |
| MAINSHAFT & SYNCHRO(AUX)..... | 26 |
| MAINSHAFT ASSY | 28 |
| MISCELLANEOUS | 30 |
| RANGE CYLINDER..... | 31 |
| RANGE VALVE | 32 |
| REDUCTION CYLINDER..... | 34 |
| REVERSE IDLER..... | 35 |
| ROAD SPEED GOVERNOR | 36 |
| ROADRANGER VALVE | 39 |
| SHIFT BAR HOUSING (XF) | 40 |
| SLAVE VALVE - 19470..... | 42 |
| SLAVE VALVE - A-4688..... | 43 |
| SLAVE VALVE - A-5000..... | 44 |

How To Use The Illustrated Parts List

The information contained in this document is subject to frequent updates. Therefore, for the latest information available, please visit the interactive Electronic Parts Catalog at www.roadranger.com/epc.

Model Designation or Nomenclature

- For information regarding Model Designation and Nomenclature, visit www.roadranger.com.

Kits and Assemblies (K/A's)

- Kits and Assemblies contain groups of individual or assembled parts developed for optimal replacement or repair of a service problem.
- Kits and Assemblies are shown with applicable parts groupings in the parts listings.

Identifying Kits and Assemblies

A- Part numbers beginning with the letter 'A' are pre-assembled Production Assemblies

K- Part numbers beginning with the letter 'K' are kits that are not assembled

S- Part numbers beginning with the letter 'S' are pre-assembled Service Assemblies

- Note: Some Production Assemblies do not begin with a letter prefix (Midrange only).

Illustrations

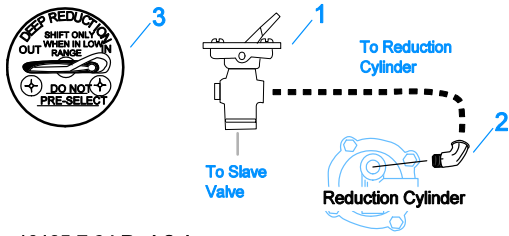
- Illustrations show parts in assembly groups.
- Item numbers on illustrations correspond with parts listings on pages adjacent to the illustration.
- Notes are included on illustrations where additional information is needed.

Parts Listing

Parts listings are defined by parts groupings and are broken down by service assemblies. Parts listings identify a part for servicing with the following categories

- **Item Number** - corresponding with numbers on illustrations for part identification.
- **Current Part** - identifies part as it is available for service.
- **Description** - specifies part name or description.
- **Replaced Part** - quantity quantity required for assembly.
- **Quantity** - defines unique characteristics or requirements.
- **Notes** - indicates Kits or Assemblies that contain a particular part.
- **Kits/Assy's Where Used**

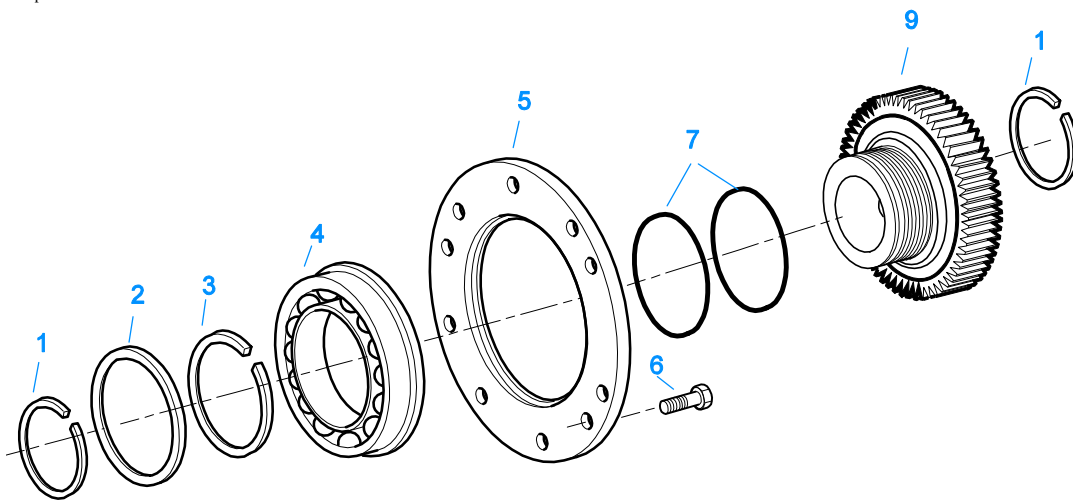
Group: AIR SYSTEM REDUCTION



10105-7-94 Red Cyl

AIR SYSTEM REDUCTION

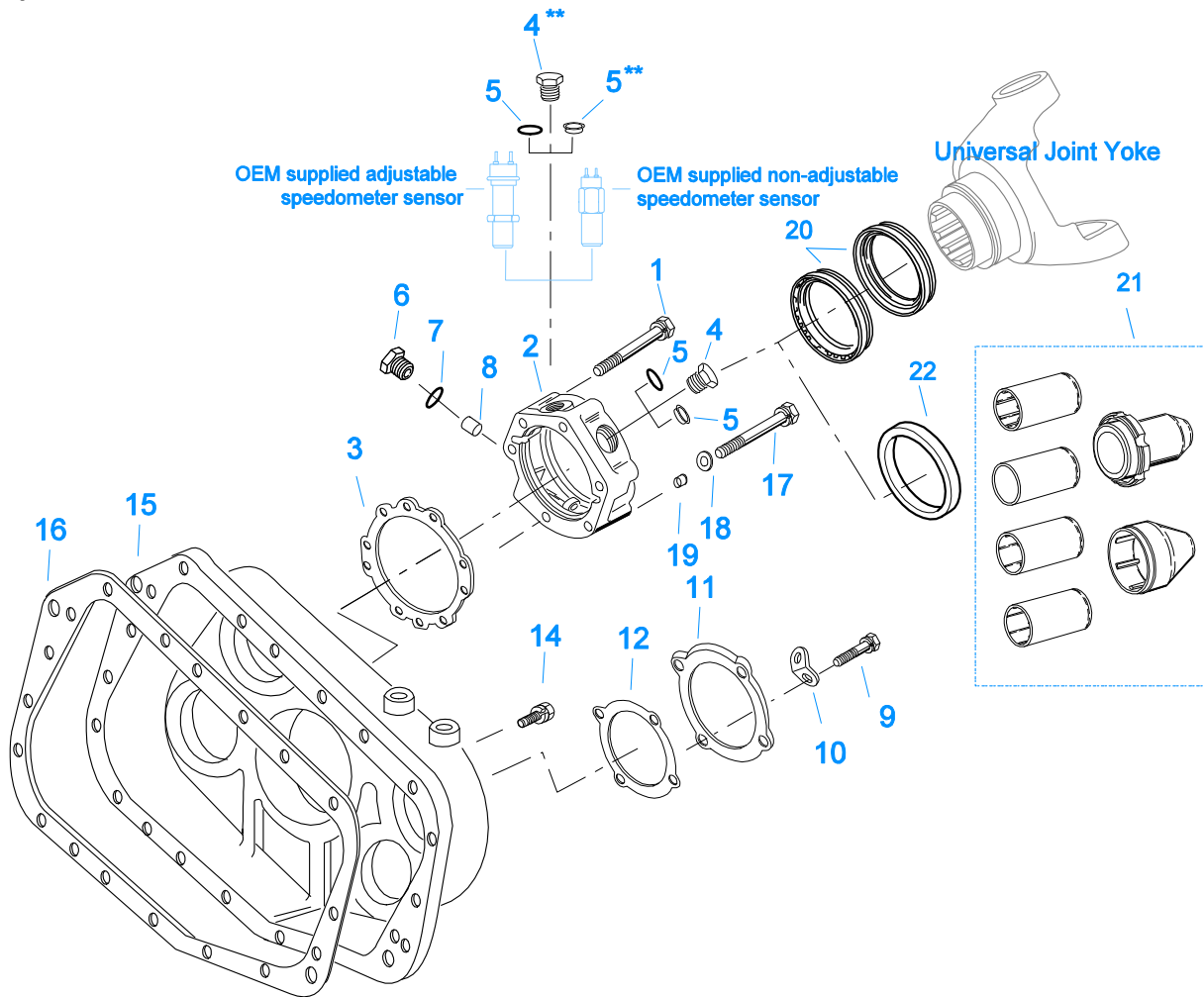
| Item | Current Part | Description | Replaced Part | Qty. | Notes | Kits/Assys Where Needed |
|------|--------------|-------------|---------------|------|-------|-------------------------|
| 1 | 14651 | SHIFT VALVE | | 1 | | |
| 2 | 12845 | ELBOW | | 1 | 1/8" | K-1963 |
| 3 | 15286 | VALVE PLATE | | 1 | | |



10482-12/92 Aux DG

AUXILIARY DRIVE GEAR

| Item | Current Part | Description | Replaced Part | Qty. | Notes | Kits/Assys Where Needed |
|------|--------------|---------------------|-----------------|------|-------------------|-----------------------------|
| 1 | 16763 | SNAP RING | | 2 | | K-1799,K-3655,K-3656,K-3659 |
| 2 | 21320 | SNAP RING RETAINER | | 1 | RTO/RTOF/RTX/RTXF | K-2311 |
| 3 | 16628 | SNAP RING | | 1 | | K-1799 |
| 4 | 5566507-BOX | BEARING | 5566504,5566507 | 1 | | K-3655,K-3656,K-3659 |
| 5 | 16138 | BEARING RETAINER | | 1 | | |
| 6 | X-8-645 | CAPSCREW | X 8 612 | 6 | 3/8"-16X1" | |
| 7 | 17453 | -O- RING | | 2 | | K-2311,K-3655,K-3656,K-3659 |
| 9 | K-2311 | REPL KIT-DRIVE GEAR | 19275 ,4300466 | 1 | | |



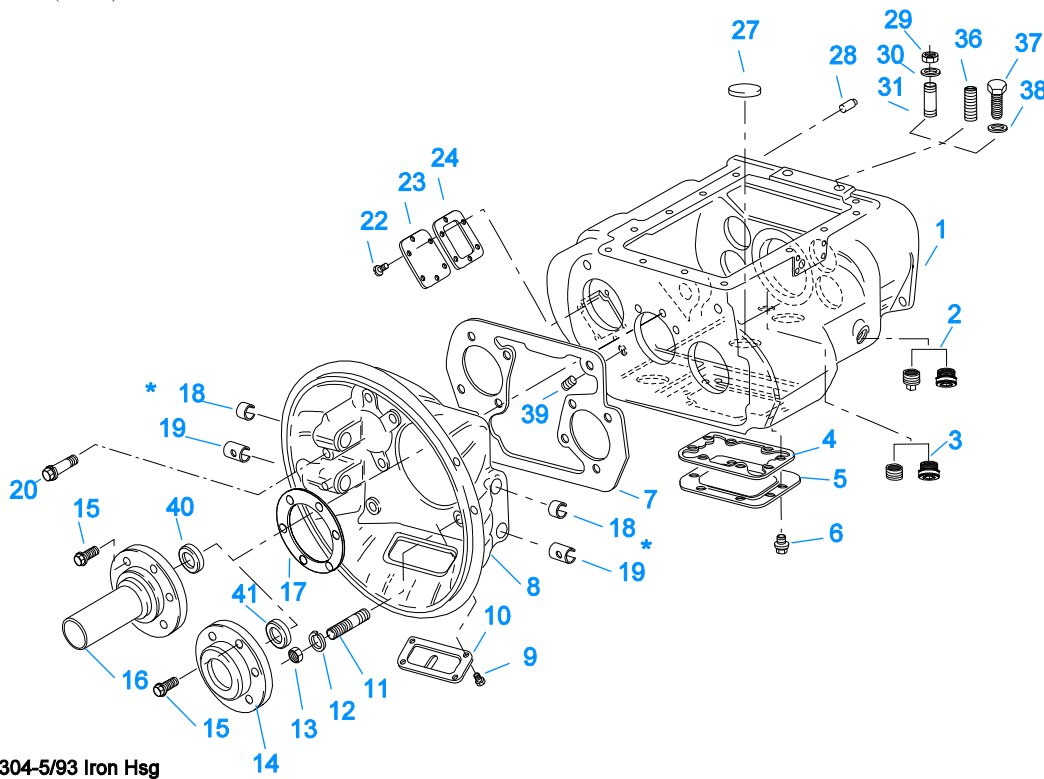
**** Note — Items 4 & 5 / Magnetic Speedometer Openings:**
 Use 13679 "O" ring w/ OEM supplied adjustable speedometer sensor
 and 20225 "O" ring w/ OEM supplied non-adjustable speedometer sensor or Eaton part #20224 Plug

10410-6-94 Aux Case

CASE (AUX)

| Item | Current Part | Description | Replaced Part | Qty. | Notes | Kits/Assys Where Needed |
|------|--------------|---------------------|--|------|---|---|
| 1 | X-8L-605 | CAPSCREW | | 5 | 3/8"-16X3" - USE W/S-2136 COVER | |
| 1 | X-8L-616 | CAPSCREW | X 8 616 | 5 | 3/8"-16X2-3/4" - USE W/S-2149 COVER | |
| 2 | S-2136 | REAR BRG COVER ASSY | 21950 ,22040 ,22041 ,22042 ,4302006 ,4302007 ,S - 1563 | 1 | EXTENDED | |
| 2 | S-2149 | REAR BRG COVER ASSY | 20208 ,21062 | 1 | | |
| 3 | 15532 | GASKET | | 1 | | K-1603,K-2199,K-2256,K-2262,S-2136,S-2149 |
| 4 | 20224 | PLUG-MAGNETIC | | 2 | | S-2136,S-2149 |
| 5 | 13679 | -O- RING | | 1 | USE W/OEM SUPPLIED ADJUSTABLE SPEEDOMETER SENSOR NOT TO BE USED WITH 4301954 SEAL | |
| 5 | 20225 | -O- RING | | 2 | USE W/20224 PLUG OR OEM SUPPLIED NON-ADJUSTABLE SPEEDOMETER SENSOR NOT TO BE USED WITH 4301954 SEAL | |
| 5 | 4301954 | SENSOR SEAL | | 2 | O-RING NOT REQUIRED | S-2136,S-2149 |

| Item | Current Part | Description | Replaced Part | Qty. | Notes | Kits/Assys Where Needed |
|------|--------------|---------------------|---------------------|------|---|---|
| 6 | 20226 | PLUG-MECHANICAL | 2237 | 1 | | S-2136,S-2149 |
| 7 | 14142 | -O- RING | | 1 | | S-2136,S-2149 |
| 8 | 7992 | BUSHING | | 1 | | S-2136,S-2149 |
| 9 | X-8-686 | CAPSCREW | | 8 | 3/8"-16X3/4" | |
| 9 | X-8L-600 | CAPSCREW | | 2 | 3/8"-16X1" - USE WITH 20815 LIFTING EYES | |
| 10 | 20815 | LIFTING EYE | 17105 | 2 | | |
| 11 | 16724 | REAR BRG COVER | | 2 | | |
| 12 | 17097 | GASKET | | 2 | | K-1603,K-2199 |
| 14 | X-8L-602 | CAPSCREW | | 9 | 3/8"-16X1-1/2" | |
| 14 | X-8L-604 | CAPSCREW | | 8 | 3/8"-16X1-1/4" | |
| 14 | X-8L-614 | CAPSCREW | | 2 | 3/8"-16X2" | |
| 15 | 17206 | NO LONGER AVAILABLE | | 1 | USE W/OIL COOLER | |
| 15 | 18762 | NO LONGER AVAILABLE | | 1 | USE W/OIL COOLER | |
| 15 | K-1567 | REAR HOUSING KIT | 18700 ,18785 | 1 | | |
| 16 | 14335 | GASKET | | 1 | | K-1603,K-2199 |
| 17 | X-8-681 | CAPSCREW | | 1 | 3/8"-16X2-3/4" - USE W/S-2149 COVER | |
| 17 | X-8-682 | CAPSCREW | | 1 | 3/8"-16X3" - USE W/S-2136 COVER | |
| 18 | 17106 | GASKET | | 1 | | K-2199,K-2256,K- 2262,S-2136,S-2149 |
| 19 | 19709 | COLLAR | | 1 | | K-1603,K-2199,K- 2256,K-2262,S-2136,S- 2149 |
| 20 | K-2262 | OIL SEAL W/SLINGER | 19109 ,20807 ,20808 | 1 | "FOR MECHANICAL COVER" | |
| 21 | K-3651 | OIL SEAL TOOL KIT | | 1 | | |
| 22 | K-2262 | OIL SEAL W/SLINGER | 19109 ,20807 ,20808 | 1 | "FOR MECHANICAL COVER" | |



10304-5/93 Iron Hsg

* Bushing quantity requirements: #1 Housing – Upper bore use 4 #12815 / Lower bore use 2 #8677.

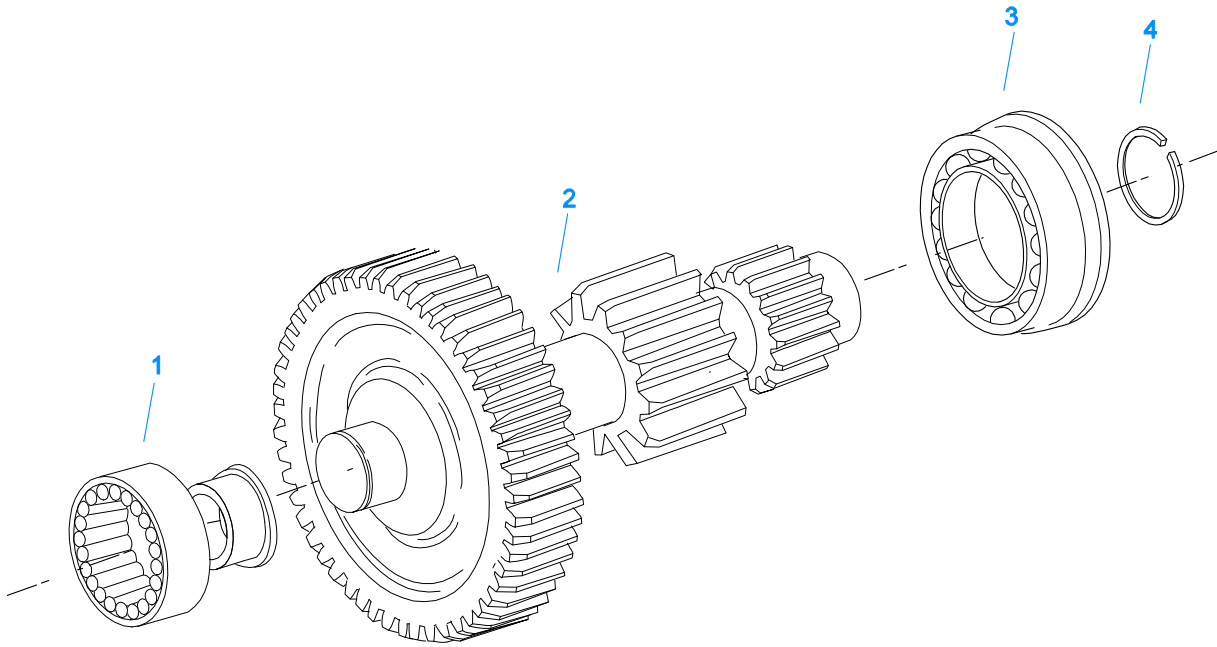
#2 Housing – Upper bore use 2 #12815 and 1 #8677 / Lower bore use 2 #8677.

Note: Some part requirements are specific to #1 or #2 Clutch Housings and Push or Pull type Clutch.

CASE (FRONT)

| Item | Current Part | Description | Replaced Part | Qty. | Notes | Kits/Assys Where Needed |
|------|--------------|-----------------------|--|------|--|-------------------------|
| 1 | S-1325 | NO LONGER AVAILABLE | 16950 | 1 | | |
| 2 | 4304023 | PLUG | 4303747 | 1 | 1-1/16" MAGNETIC, O-RING INCLUDED | |
| 2 | X-12-2007 | PIPE PLUG | X12 2006 | 1 | | |
| 3 | 4304023 | PLUG | 4303747 | 1 | 1-1/16" MAGNETIC, O-RING INCLUDED | |
| 3 | X-12-1207 | PIPE PLUG | X12 1202 ,X12 1206 | 1 | 3/4" MAGNETIC | |
| 4 | 4305310 | GASKET | 4302810 | 1 | | K-2199 |
| 5 | 4302809 | PTO COVER | 16596 ,4300571 | 1 | | |
| 6 | X-8-725 | CAPSCREW | X 8 724 | 8 | 7/16"-14X7/8" | |
| 7 | 4306584 | CLUTCH HOUSING GASKET | 4304815,4305668 | 1 | | K-2199 |
| 8 | A-3713 | CLUTCH HOUSING ASSY | A - 3700 | 1 | #1 PUSH-PULL IRON | |
| 8 | A-3723 | CLUTCH HOUSING ASSY | A - 3721 ,A - 3722 | 1 | #2 PUSH-PULL IRON | |
| 8 | A-4772 | CLUTCH HOUSING ASSY | A - 4344 ,A - 4771 | 1 | #2 PUSH-PULL ALUM. | |
| 8 | A-6064 | CLUTCH HOUSING ASSY | A - 4342 ,A - 4770 ,A - 6062 ,A - 6063 ,A - 6065 | 1 | #1 PUSH-PULL ALUM. | |
| 9 | 239614 | SCREW | X-8L-509 | 4 | 5/16-18X.81 QUANTITY DEPENDENT ON DESIGN | |
| 10 | 14506 | HAND HOLE COVER | | 1 | #2 PUSH | |
| 10 | 14507 | HAND HOLE COVER | | 1 | #2 PULL | |
| 10 | 4305230 | HAND HOLE COVER | 11453 | 1 | #1 PULL | |
| 10 | 4305231 | HAND HOLE COVER | 1565 | 1 | #1 PUSH | |
| 11 | 4306583 | STUD | 5966 | 6 | | |
| 12 | X-10-1005 | WASHER | X 3 1000 ,X10 1000 ,X10 1004 | 6 | 1.23 X 6.60 | |
| 13 | X-1-1012 | HEX NUT | X-1-1005 | 6 | .625-18 | |
| 14 | 14267 | FRONT BRG. COVER | | 1 | 1-3/4" PULL | |
| 14 | 15111 | FRONT BRG. COVER | | 1 | 2" PULL | |
| 14 | 18699 | FRONT BRG. COVER | | 1 | 1-3/4" & 2" PULL W/SEAL | |
| 14 | 20550 | FRONT BRG COVER | | 1 | 2" PULL | K-2468,K-3656,K-4125 |
| 14 | 20552 | FRONT BRG COVER | | 1 | 1-3/4" PULL | K-3655 |

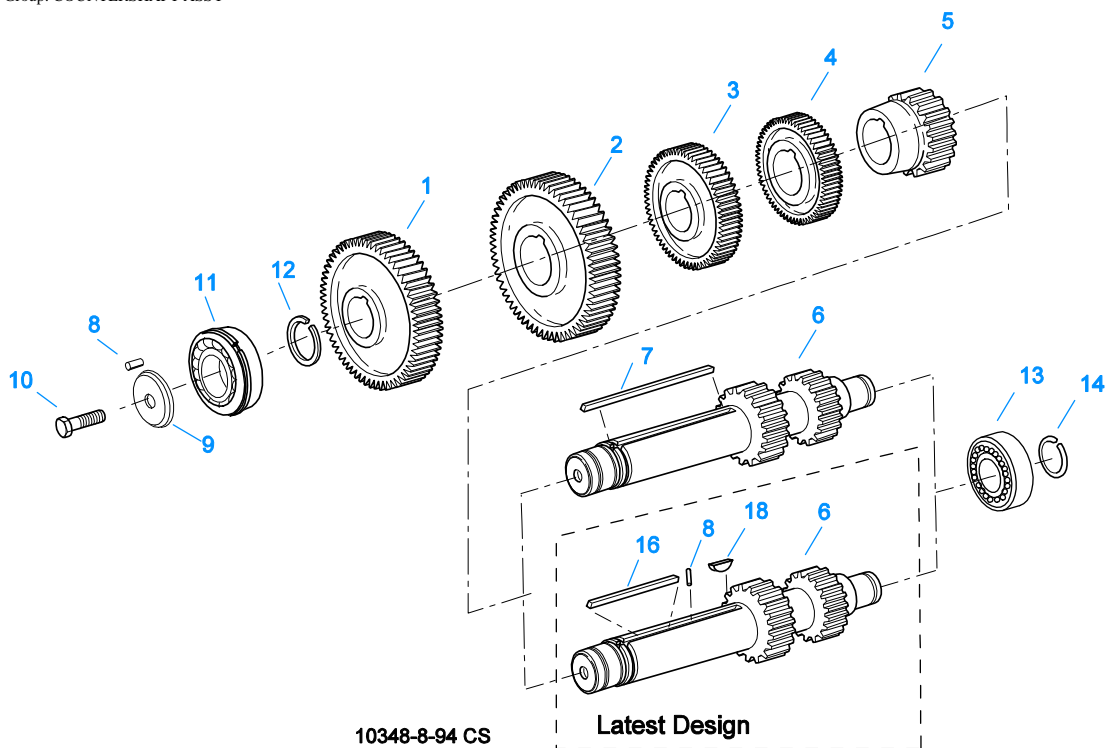
| Item | Current Part | Description | Replaced Part | Qty. | Notes | Kits/Assys Where Needed |
|------|--------------|----------------------------|------------------------------|------|--|------------------------------------|
| 15 | X-8L-604 | CAPSCREW | | 6 | 3/8"-16X1-1/4" USE 6 PCS WITH PULL TYPE COVER USE 4 PCS WITH PUSH TYPE COVER | |
| 15 | X-8L-619 | CAPSCREW | | 2 | 3/8"-16X1-1/4" - USE WITH PUSH TYPE COVER | |
| 16 | 14994 | FRONT BRG. COVER | | 1 | 2" PUSH | |
| 16 | 15113 | FRONT BRG. COVER | | 1 | 1-3/4" & 2" PUSH W/SEAL | |
| 16 | 20549 | FRONT BRG COVER | | 1 | 2" PUSH | |
| 16 | 20551 | FRONT BRG. COVER | | 1 | 1-3/4" PUSH | |
| 16 | S-1478 | NO LONGER AVAILABLE | | 1 | 1-3/4" PUSH | |
| 17 | 14311 | GASKET | | 1 | | K-2199 |
| 18 | 12815 | BUSHING | | 4 | FOR #1 HOUSING - UPPER | A-3713,A-3723,A-4772,A-6064,K-2468 |
| 18 | 12815 | BUSHING | | 2 | FOR #2 HOUSING - UPPER | A-3713,A-3723,A-4772,A-6064,K-2468 |
| 18 | 8677 | BUSHING | | 1 | FOR #2 HOUSING - UPPER | A-3713,A-3723,A-4772,A-6064 |
| 19 | 8677 | BUSHING | | 3 | FOR #1 AND #2 HOUSING - LOWER | A-3713,A-3723,A-4772,A-6064 |
| 20 | X-8C-830 | HEX HEAD SCREW/WASHER ASSY | X-8C-826 | 4 | .500-13 X 1.490, USE 2 PCS FOR IRON HOUSING, USE 4 PCS FOR ALUMINUM HOUSING | |
| 20 | X-8C-831 | HEX HEAD SCREW/WASHER ASSY | X-8C-822 | 2 | .500-13 X 3.460, FOR IRON HOUSING | |
| 22 | X-8-686 | CAPSCREW | | 6 | 3/8"-16X3/4" | |
| 23 | 14575 | PTO COVER | 4302254 | 1 | | |
| 24 | 4305309 | GASKET | 1684 | 1 | | K-2199 |
| 27 | 14373 | MAGNET | | 3 | | |
| 28 | 18128 | PIN | | 2 | | |
| 29 | X-1-1012 | HEX NUT | | 2 | .625-18 | |
| 30 | X-10-1005 | WASHER | X 3 1000 ,X10 1000 ,X10 1004 | 2 | 1.23 X 6.60 | |
| 31 | 14554 | STUD | 1632 ,6579 | 2 | 5/8" X 2-3/16" | |
| 36 | 23104 | PLUG | 1712 | 2 | | |
| 37 | X-8-1005 | CAPSCREW | | 2 | 5/8"-11X1-1/4" | |
| 38 | 20814 | SPACER | | 2 | | |
| 39 | X-12-802 | PIPE PLUG | X12 800 | 1 | 1/2" | |
| 40 | 12581 | OIL SEAL | | 1 | USE W/15113 COVER ONLY | |
| 41 | 16976 | SEAL | | 1 | 1-3/4" | |
| 41 | 16977 | SEAL | | 1 | 2" | |



10446-7-94 Aux CS

COUNTERSHAFT & BRGS(AUX)

| Item | Current Part | Description | Replaced Part | Qty. | Notes | Kits/Assys Where Needed |
|------|--------------|--------------------------|---------------|------|-----------------------|-----------------------------|
| 1 | 8879 | BEARING | | 2 | | K-3655,K-3656,K-3659 |
| 2 | A-4820 | WELDED COUNTERSHAFT ASSY | | 2 | D/G 19276 - C/S 20021 | |
| 3 | 81052 | BEARING | 81008 | 2 | | K-3655,K-3656,K-3659 |
| 4 | 16723 | SNAP RING | | 2 | | K-1799,K-3655,K-3656,K-3659 |



COUNTERSHAFT ASSY

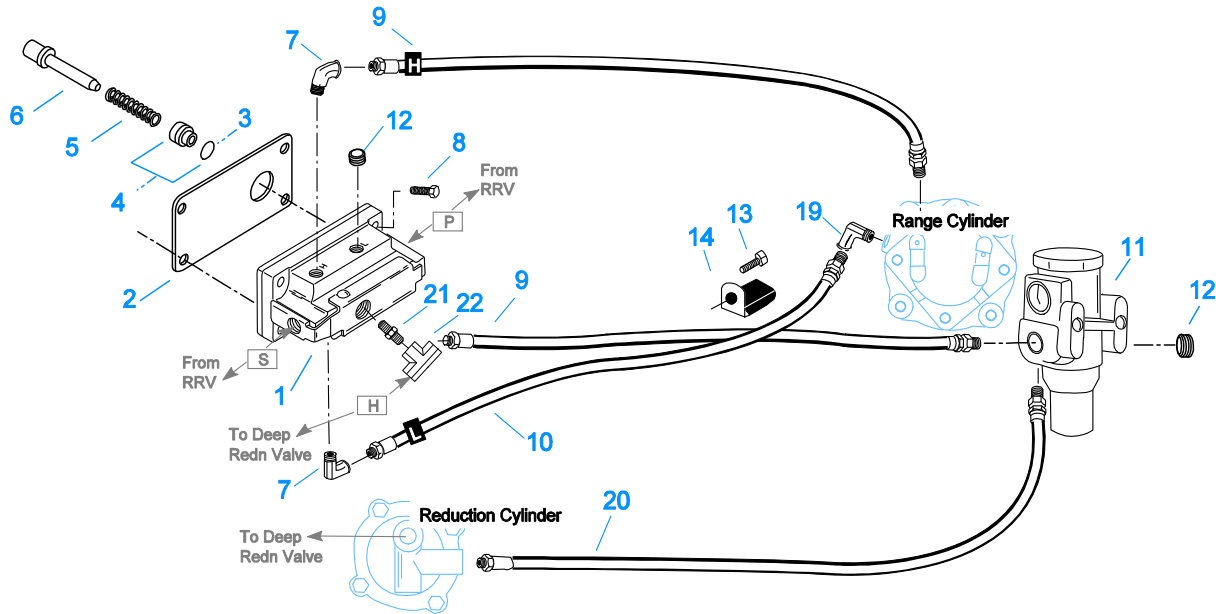
| Item | Current Part | Description | Replaced Part | Qty. | Notes | Kits/Assys Where Needed |
|------|--------------|-----------------------|------------------------------------|------|------------------------------------|-----------------------------|
| 1 | 4305661 | DRIVE GEAR-CNTRSHFT | 19631 ,19633 ,20481 ,4302233,20459 | 2 | | |
| 2 | 15953 | PTO GEAR - LOWER | | 1 | | |
| 2 | 16390 | NO LONGER AVAILABLE | | 2 | OPTIONAL IF PTO GEARS ARE NOT USED | |
| 2 | 20840 | PTO GEAR - UPPER | 15952 | 1 | | |
| 3 | 20461 | 4TH GEAR-CNTRSHFT | 19643 ,19645 ,20378 | 2 | | |
| 4 | 20380 | 3RD GEAR-CNTRSHFT | 19627 | 2 | | |
| 5 | 20382 | 2ND GEAR-CNTRSHFT | 19269 ,4302103 ,4303512 | 2 | | |
| 6 | K-1926 | COUNTERSHAFT REPL KIT | 20462 ,20463 | 2 | | |
| 7 | 19258 | KEY | | 2 | | |
| 8 | 62511 | ROLL PIN | | 4 | | |
| 9 | K-2966 | RETAINER KIT | 19668 ,A - 4729 | 2 | ROLL PIN NO LONGER REQUIRED | |
| 10 | X-7-1005 | CAPSCREW | | 2 | 5/8"-18X1-3/4" | |
| 11 | 81022 | BALL BEARING | 5566509 | 2 | | |
| 12 | 19198 | SNAP RING | | 2 | | |
| 13 | 14366 | BEARING | | 2 | | K-3655,K-3656,K-3659 |
| 14 | 14317 | SNAP RING | | 2 | | K-1799,K-3655,K-3656,K-3659 |
| 16 | 4304840 | KEY | 19673 | 2 | | K-1926 |
| 18 | X-6-E | KEY | | 2 | | |

Group: FILTER REGULATOR



FILTER REGULATOR

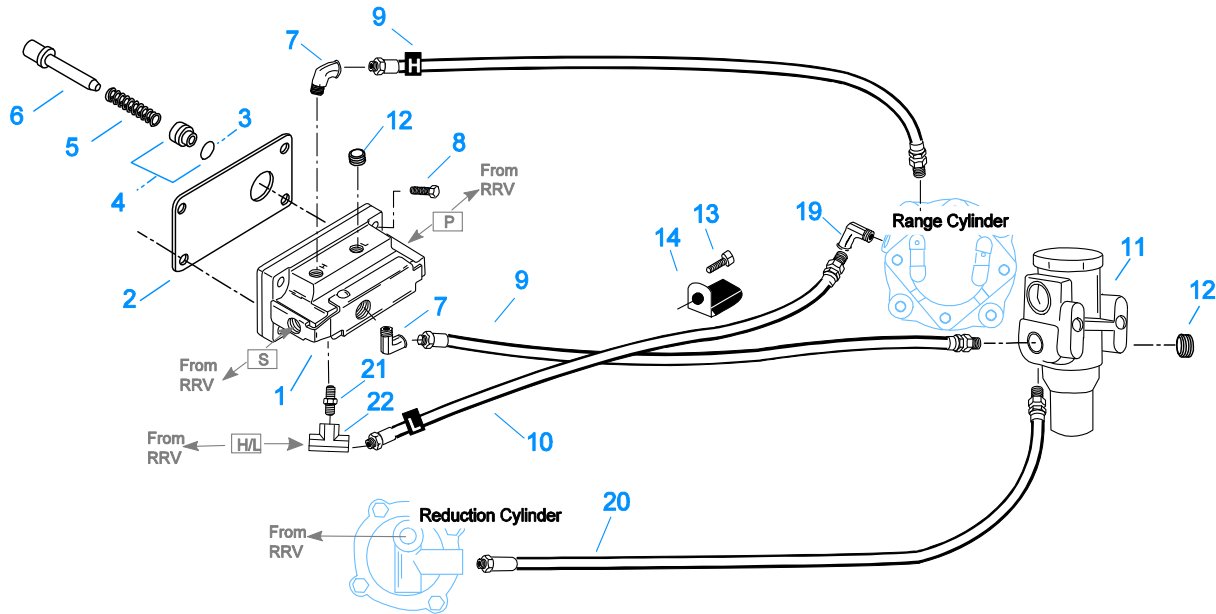
| Item | Current Part | Description | Replaced Part | Qty. | Notes | Kits/Assys Where Needed |
|------|--------------|----------------------|---------------|------|----------------------|-------------------------|
| 1 | A-4740 | FILTER/REGULATOR | 19600 | 1 | | |
| 2 | K-1698 | -O- RING/ELEMENT KIT | | 1 | FOR FILTER REGULATOR | |
| 3 | X-8C-412 | CAPSCREW | X 8S 412 | 2 | 1/4"-20X2-1/4" | |



10111J-7-94 19470 2A red cyl

H & C W/19470 VALVE

| Item | Current Part | Description | Replaced Part | Qty. | Notes | Kits/Assys Where Needed |
|------|--------------|-----------------------|--------------------|------|------------------|-------------------------|
| 1 | K-2424 | VALVE REPLACEMENT KIT | 19470 | 1 | | |
| 2 | 19481 | GASKET | | 1 | | K-1963,K-2199,K-2424 |
| 3 | 19462 | -O- RING | 14033 | 1 | | A-4688,K-1699,K-1969 |
| 4 | K-1969 | SLEEVE KIT | 14362 19460 ,21446 | 1 | FOR SLAVE VALVES | K-1963 |
| 5 | 21268 | SPRING | 19572 | 1 | | K-1963 |
| 6 | 20490 | PIN | 19459 | 1 | | K-1963 |
| 7 | 12845 | ELBOW | | 2 | 1/8" | K-1963 |
| 8 | X-8C-401 | CAPSCREW | | 4 | 1/4"-20X1-1/8" | |
| 9 | 55508 | HOSE ASSY | | 2 | 30" | |
| 10 | 55524 | HOSE ASSY | | 1 | 27" | |
| 11 | A-4740 | FILTER/REGULATOR | 19600 | 1 | | |
| 12 | X-12-208 | PIPE PLUG | | 2 | 1/8" NPT | |
| 13 | X-8L-601 | CAPSCREW | | 1 | 3/8"-16X3/4" | |
| 14 | 19779 | HOSE CLAMP | | 1 | | |
| 19 | 12880 | ELBOW | | 1 | 1/8" | |
| 20 | 55527 | HOSE ASSY | | 1 | 15" | |
| 21 | 12769 | NIPPLE | | 1 | 1/8" | K-1963 |
| 22 | 12881 | TEE | | 1 | 1/8" | K-1963 |
| 22 | 21086 | BRANCH TEE | | 1 | 1/8" | |

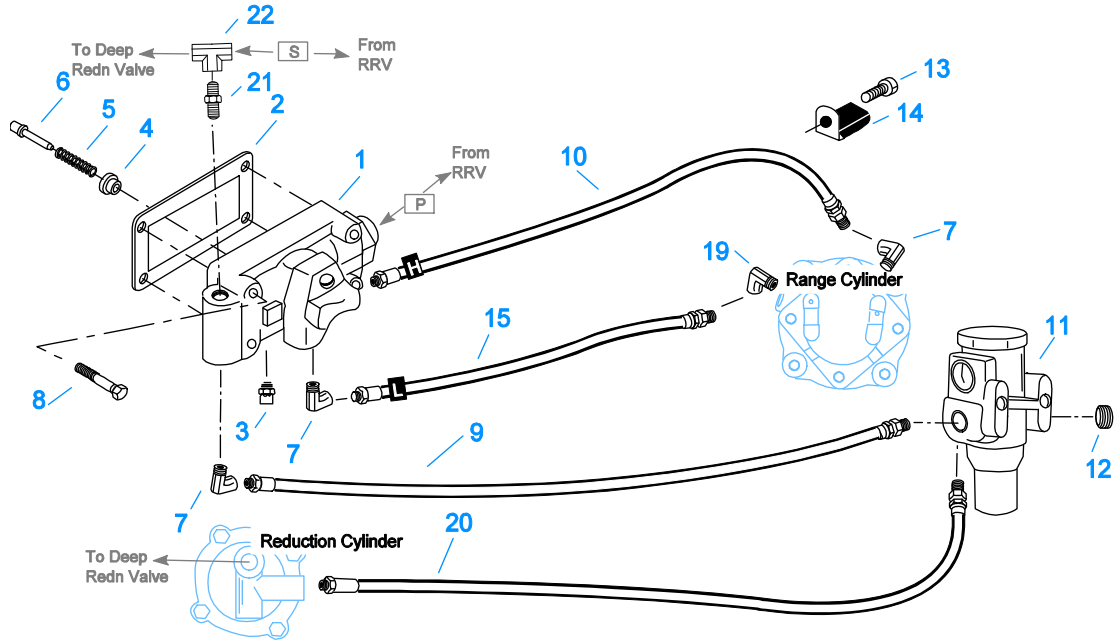


10111K-7-94 19470 4A red cyl

H & C W/19470 VALVE

| Item | Current Part | Description | Replaced Part | Qty. | Notes | Kits/Assys Where Needed |
|------|--------------|-----------------------|--------------------|------|------------------|-------------------------|
| 1 | K-2424 | VALVE REPLACEMENT KIT | 19470 | 1 | | |
| 2 | 19481 | GASKET | | 1 | | K-1963,K-2199,K-2424 |
| 3 | 19462 | -O- RING | 14033 | 1 | | A-4688,K-1699,K-1969 |
| 4 | K-1969 | SLEEVE KIT | 14362 19460 ,21446 | 1 | FOR SLAVE VALVES | K-1963 |
| 5 | 21268 | SPRING | 19572 | 1 | | K-1963 |
| 6 | 20490 | PIN | 19459 | 1 | | K-1963 |
| 7 | 12845 | ELBOW | | 2 | 1/8" | K-1963 |
| 8 | X-8C-401 | CAPSCREW | | 4 | 1/4"-20X1-1/8" | |
| 9 | 55508 | HOSE ASSY | | 2 | 30" | |
| 10 | 55524 | HOSE ASSY | | 1 | 27" | |
| 11 | A-4740 | FILTER/REGULATOR | 19600 | 1 | | |
| 12 | X-12-208 | PIPE PLUG | | 2 | 1/8" NPT | |
| 13 | X-8L-601 | CAPSCREW | | 1 | 3/8"-16X3/4" | |
| 14 | 19779 | HOSE CLAMP | | 1 | | |
| 19 | 12880 | ELBOW | | 1 | 1/8" | |
| 20 | 55527 | HOSE ASSY | | 1 | 15" | |
| 21 | 12769 | NIPPLE | | 1 | 1/8" | K-1963 |
| 22 | 12881 | TEE | | 1 | 1/8" | K-1963 |
| 22 | 21086 | BRANCH TEE | | 1 | 1/8" | |

Group: H & C W/A-4688 VALVE

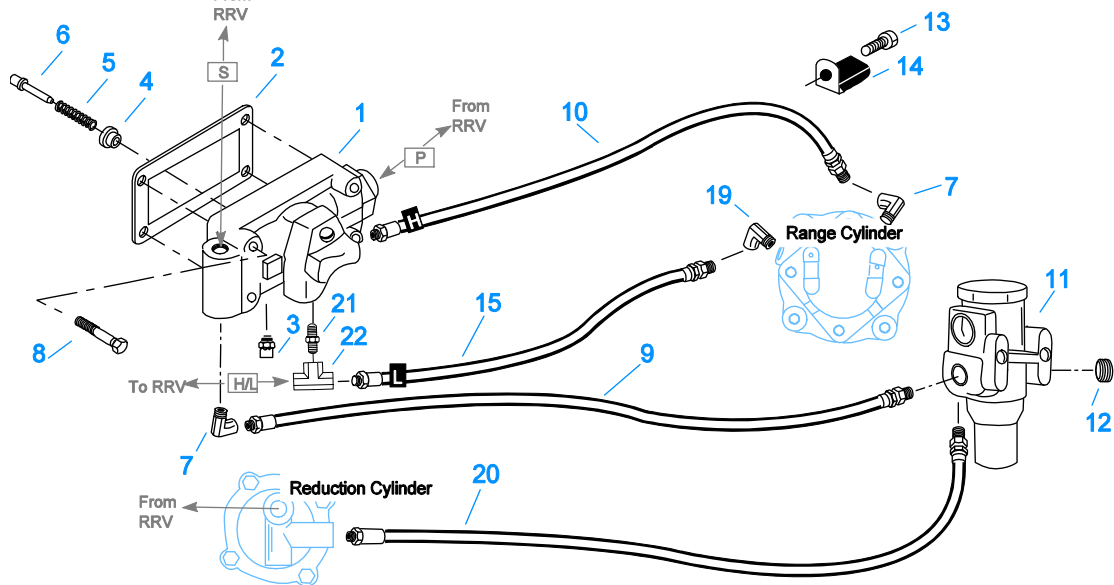


10112J-7-94 A-4688 2A red cyl

H & C W/A-4688 VALVE

| Item | Current Part | Description | Replaced Part | Qty. | Notes | Kits/Assys Where Needed |
|------|--------------|------------------|------------------------|------|------------------|------------------------------------|
| 1 | A-4688 | SLAVE VALVE ASSY | 15125 ,19464 ,A - 3991 | 1 | | |
| 2 | 15758 | GASKET | | 1 | | K-1699,K-2199 |
| 3 | X2014210 | BREATHER | 7935 | 1 | | |
| 4 | K-1969 | SLEEVE KIT | 14362 19460 ,21446 | 1 | FOR SLAVE VALVES | K-1963 |
| 5 | 6392 | SPRING | | 1 | | S-1219,S-1527,S-1528,S-1529,S-1531 |
| 6 | 14361 | PIN | | 1 | | |
| 7 | 12845 | ELBOW | | 3 | 1/8" | K-1963 |
| 8 | X-8L-411 | CAPSCREW | X 8 411 | 4 | 1/4"-20X1-3/4" | |
| 9 | 55509 | HOSE ASSY | | 1 | 34" | |
| 10 | 55508 | HOSE ASSY | | 1 | 30" | |
| 11 | A-4740 | FILTER/REGULATOR | 19600 | 1 | | |
| 12 | X-12-208 | PIPE PLUG | | 1 | 1/8" NPT | |
| 13 | X-8L-601 | CAPSCREW | | 1 | 3/8"-16X3/4" | |
| 14 | 19779 | HOSE CLAMP | | 1 | | |
| 15 | 55523 | HOSE ASSY | | 1 | 29" | |
| 19 | 12880 | ELBOW | | 1 | 1/8" | |
| 20 | 55527 | HOSE ASSY | | 1 | 15" | |
| 21 | 12769 | NIPPLE | | 1 | 1/8" | K-1963 |
| 22 | 12881 | TEE | | 1 | 1/8" | K-1963 |
| 22 | 21086 | BRANCH TEE | | 1 | 1/8" | |

Group: H & C W/A-4688 VALVE

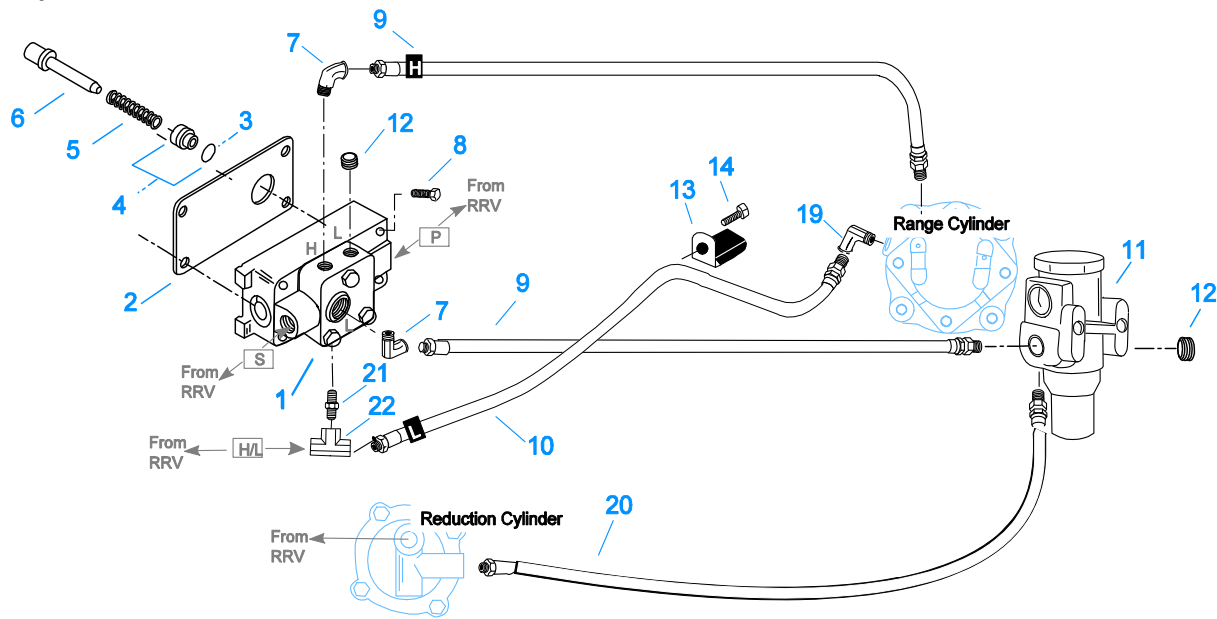


10112K-7-94 A-4688 4A red cyl

H & C W/A-4688 VALVE

| Item | Current Part | Description | Replaced Part | Qty. | Notes | Kits/Assys Where Needed |
|------|--------------|------------------|------------------------|------|------------------|------------------------------------|
| 1 | A-4688 | SLAVE VALVE ASSY | 15125 ,19464 ,A - 3991 | 1 | | |
| 2 | 15758 | GASKET | | 1 | | K-1699,K-2199 |
| 3 | X2014210 | BREATHER | 7935 | 1 | | |
| 4 | K-1969 | SLEEVE KIT | 14362 19460 ,21446 | 1 | FOR SLAVE VALVES | K-1963 |
| 5 | 6392 | SPRING | | 1 | | S-1219,S-1527,S-1528,S-1529,S-1531 |
| 6 | 14361 | PIN | | 1 | | |
| 7 | 12845 | ELBOW | | 2 | 1/8" | K-1963 |
| 8 | X-8L-411 | CAPSCREW | X 8 411 | 4 | 1/4"-20X1-3/4" | |
| 9 | 55509 | HOSE ASSY | | 1 | 34" | |
| 10 | 55508 | HOSE ASSY | | 1 | 30" | |
| 11 | A-4740 | FILTER/REGULATOR | 19600 | 1 | | |
| 12 | X-12-208 | PIPE PLUG | | 1 | 1/8" NPT | |
| 13 | X-8L-601 | CAPSCREW | | 1 | 3/8"-16X3/4" | |
| 14 | 19779 | HOSE CLAMP | | 1 | | |
| 15 | 55523 | HOSE ASSY | | 1 | 29" | |
| 19 | 12880 | ELBOW | | 1 | 1/8" | |
| 20 | 55527 | HOSE ASSY | | 1 | 15" | |
| 21 | 12769 | NIPPLE | | 1 | 1/8" | K-1963 |
| 22 | 12881 | TEE | | 1 | 1/8" | K-1963 |
| 22 | 21086 | BRANCH TEE | | 1 | 1/8" | |

Group: H & C W/A-5000 VALVE

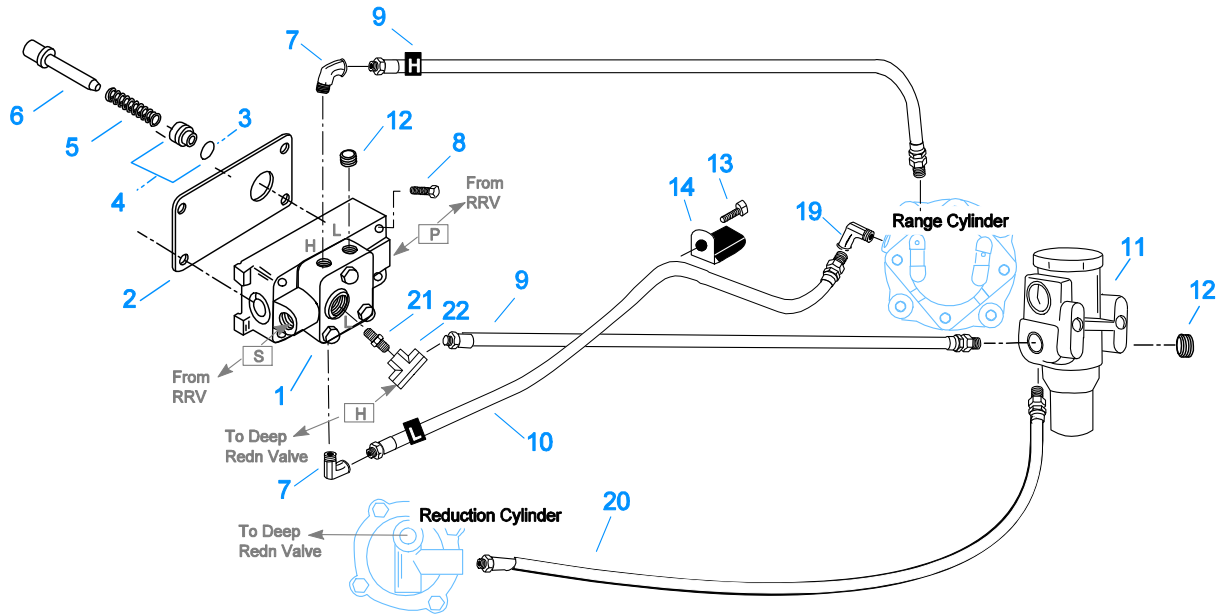


10110K-7-94 A-5000 4A red cyl

H & C W/A-5000 VALVE

| Item | Current Part | Description | Replaced Part | Qty. | Notes | Kits/Assys Where Needed |
|------|--------------|------------------|--------------------|------|------------------|-------------------------|
| 1 | A-5000 | SLAVE VALVE ASSY | 20850 | 1 | | K-1963,K-2424 |
| 2 | 19481 | GASKET | | 1 | | K-1963,K-2199,K-2424 |
| 3 | 19462 | -O- RING | 14033 | 1 | | A-4688,K-1699,K-1969 |
| 4 | K-1969 | SLEEVE KIT | 14362 19460 ,21446 | 1 | FOR SLAVE VALVES | K-1963 |
| 5 | 21268 | SPRING | 19572 | 1 | | K-1963 |
| 6 | 20490 | PIN | 19459 | 1 | | K-1963 |
| 7 | 12845 | ELBOW | | 2 | 1/8" | K-1963 |
| 8 | X-8C-411 | CAPSCREW | | 4 | 1/4"-20X1-3/4" | |
| 9 | 55508 | HOSE ASSY | | 2 | 30" | |
| 10 | 55524 | HOSE ASSY | | 1 | 27" | |
| 11 | A-4740 | FILTER/REGULATOR | 19600 | 1 | | |
| 12 | X-12-208 | PIPE PLUG | | 2 | 1/8" NPT | |
| 13 | X-8L-601 | CAPSCREW | | 1 | 3/8"-16X3/4" | |
| 14 | 19779 | HOSE CLAMP | | 1 | | |
| 19 | 12880 | ELBOW | | 1 | 1/8" | |
| 20 | 55527 | HOSE ASSY | | 1 | 15" | |
| 21 | 12769 | NIPPLE | | 1 | 1/8" | K-1963 |
| 22 | 12881 | TEE | | 1 | 1/8" | K-1963 |
| 22 | 21086 | BRANCH TEE | | 1 | 1/8" | |

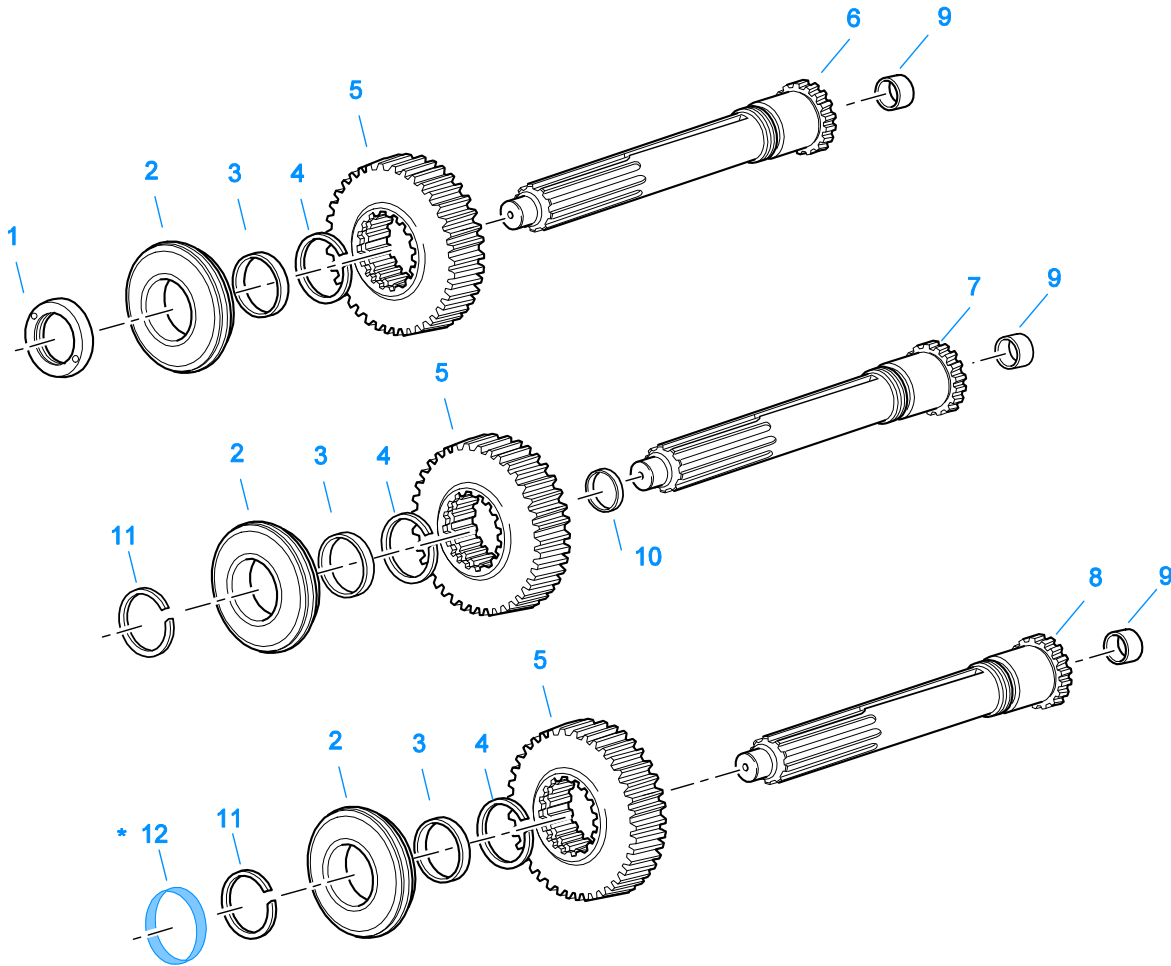
Group: H & C W/A-5000 VALVE



10110J-7-94 A-5000 2A red cyl

H & C W/A-5000 VALVE

| Item | Current Part | Description | Replaced Part | Qty. | Notes | Kits/Assys Where Needed |
|------|--------------|------------------|--------------------|------|------------------|-------------------------|
| 1 | A-5000 | SLAVE VALVE ASSY | 20850 | 1 | | K-1963,K-2424 |
| 2 | 19481 | GASKET | | 1 | | K-1963,K-2199,K-2424 |
| 3 | 19462 | -O- RING | 14033 | 1 | | A-4688,K-1699,K-1969 |
| 4 | K-1969 | SLEEVE KIT | 14362 19460 ,21446 | 1 | FOR SLAVE VALVES | K-1963 |
| 5 | 21268 | SPRING | 19572 | 1 | | K-1963 |
| 6 | 20490 | PIN | 19459 | 1 | | K-1963 |
| 7 | 12845 | ELBOW | | 2 | 1/8" | K-1963 |
| 8 | X-8C-411 | CAPSCREW | | 4 | 1/4"-20X1-3/4" | |
| 9 | 55508 | HOSE ASSY | | 2 | 30" | |
| 10 | 55524 | HOSE ASSY | | 1 | 27" | |
| 11 | A-4740 | FILTER/REGULATOR | 19600 | 1 | | |
| 12 | X-12-208 | PIPE PLUG | | 2 | 1/8" NPT | |
| 13 | X-8L-601 | CAPSCREW | | 1 | 3/8"-16X3/4" | |
| 14 | 19779 | HOSE CLAMP | | 1 | | |
| 19 | 12880 | ELBOW | | 1 | 1/8" | |
| 20 | 55527 | HOSE ASSY | | 1 | 15" | |
| 21 | 12769 | NIPPLE | | 1 | 1/8" | K-1963 |
| 22 | 12881 | TEE | | 1 | 1/8" | K-1963 |
| 22 | 21086 | BRANCH TEE | | 1 | 1/8" | |



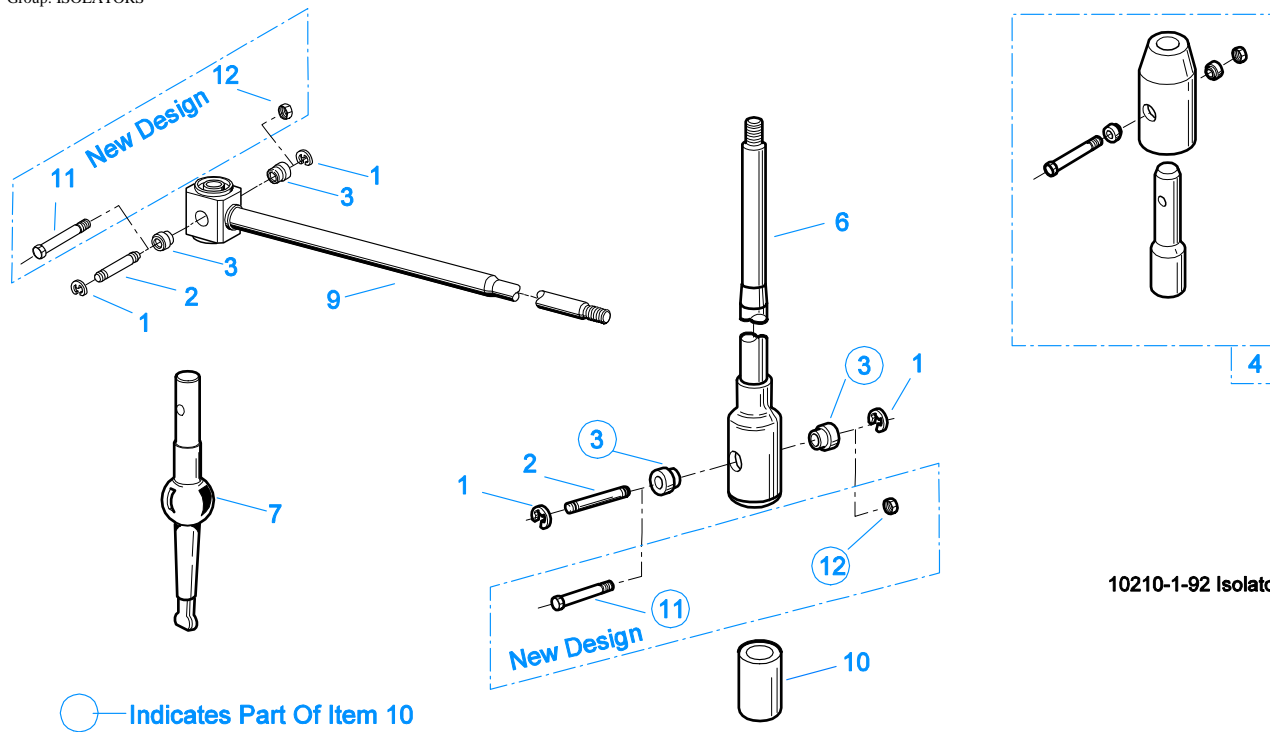
10372-5/93 IS (3)

* For Shipping Only -- Do Not Replace

INPUT SHAFT & DRIVE GEAR

| Item | Current Part | Description | Replaced Part | Qty. | Notes | Kits/Assys Where Needed |
|------|--------------|---------------------|---------------------|------|----------------------------------|--|
| 1 | 11466 | NUT | | 1 | PUSH - USE W/19716 SHAFT | |
| 1 | 8858 | NUT | | 1 | PUSH | |
| 1 | 8997 | NUT | | 1 | PULL | |
| 2 | 4301417 | BEARING | 81504 | 1 | | K-3655,K-3656,K-3659 |
| 3 | 16463 | SPACER | | 1 | | |
| 4 | 14750 | SNAP RING | | 1 | | K-1799,K-2468,K-3655,K-3656,K-3659,K-4125 |
| 5 | 20458 | MAIN DRIVE GEAR | 19630 | 1 | | |
| 6 | 19714 | NO LONGER AVAILABLE | | 1 | 1-3/4" PUSH - USE W/FBC 14370 | |
| 6 | S-1128 | INPUT SHAFT | 16465 | 1 | 2" PULL - USE W/FBC 15111 | |
| 6 | S-1129 | INPUT SHAFT | 16466 | 1 | 2" PUSH - USE W/FBC 14994 | |
| 6 | S-1406 | INPUT SHAFT | 19316 | 1 | 1-3/4" PULL - USE W/FBC 14267 | |
| 7 | S-1409 | INPUT SHAFT | 18837 | 1 | 2" PULL W/SEAL - USE W/FBC 18699 | |
| 8 | S-1498 | INPUT SHAFT | 20532 | 1 | 1-3/4" PUSH - USE W/FBC 20551 | |
| 8 | S-1504 | INPUT SHAFT | 20538 | 1 | 1-3/4" PULL - USE W/FBC 20552 | |
| 8 | S-1659 | INPUT SHAFT | 20535 23566 4302661 | 1 | 2" PULL - USE W/FBC 20550 | K-2468,K-3656,K-4125 |
| 8 | S-1660 | INPUT SHAFT | 20536 ,23567 | 1 | 2" PUSH - USE W/FBC 20549 | |
| 9 | 16566 | BUSHING | | 1 | | K-3659,S-1128,S-1129,S-1406,S-1409,S-1498,S-1504,S-1659,S-1660 |

| Item | Current Part | Description | Replaced Part | Qty. | Notes | Kits/Assys Where Needed |
|------|--------------|---------------|---------------|------|----------------------|-----------------------------|
| 10 | 16978 | SLEEVE | | 1 | 2" W/SEAL | S-1409 |
| 11 | 16980 | SNAP RING | | 1 | | K-2468,K-3655,K-3656,K-4125 |
| 12 | 23559 | SHIPPING SEAL | | 1 | NOT SOLD FOR SERVICE | |



10210-1-92 Isolator

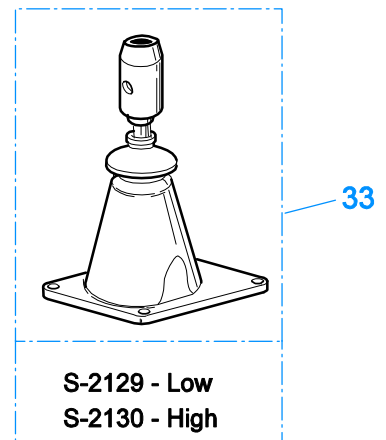
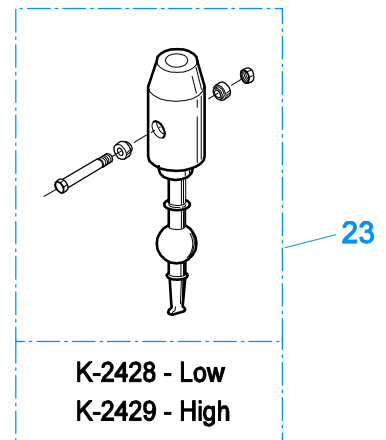
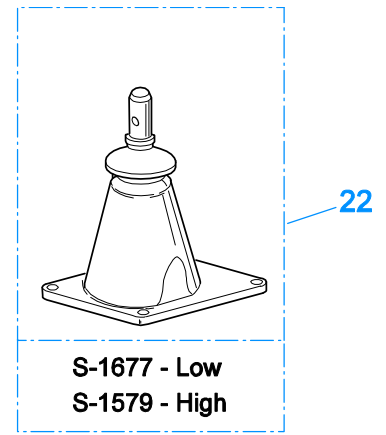
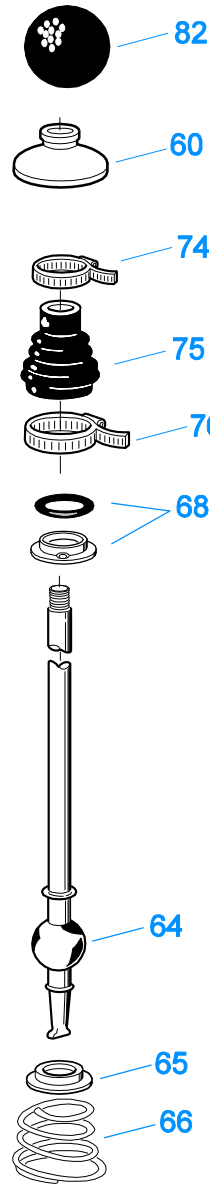
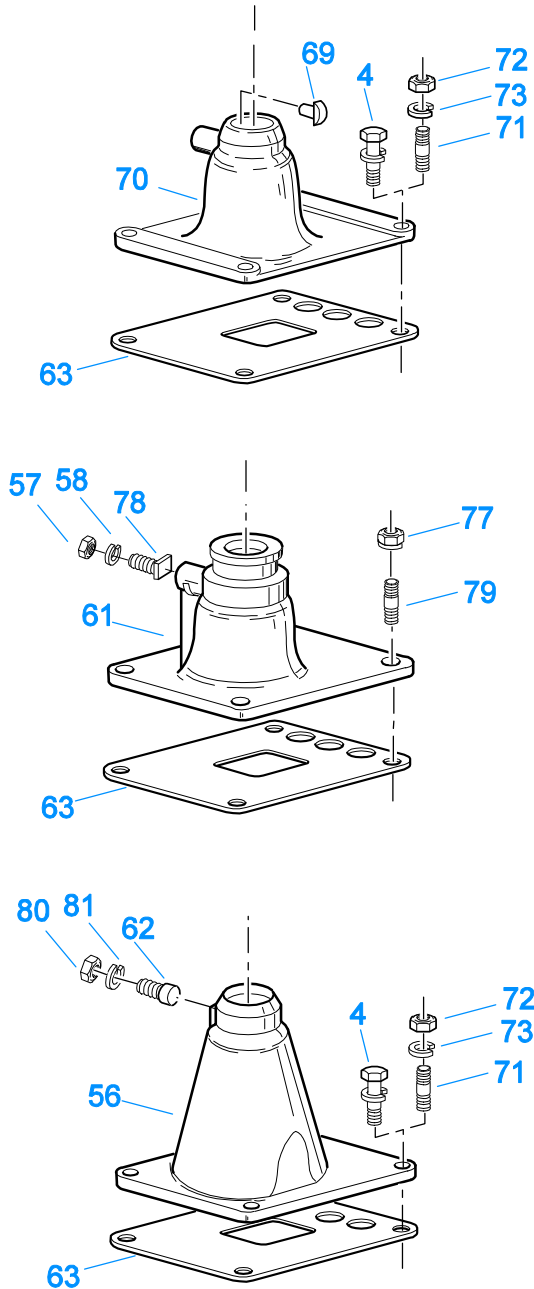
ISOLATORS

| Item | Current Part | Description | Replaced Part | Qty. | Notes | Kits/Assys Where Needed |
|------|--------------|----------------------|---------------|------|-----------------|---|
| 1 | 19124 | -E- RING | | 2 | | |
| 2 | K-3467 | PIN REPLACEMENT KIT | 21245 | 1 | | |
| 3 | 21246 | BUSHING | | 2 | | K-2003,K-2428,K-2429,K-3399,S-2129,S-2130 |
| 4 | S-1794 | ISOLATOR ASSY | | 1 | | |
| 6 | 21247 | LEVER | | 1 | STRAIGHT 18.67" | |
| 7 | 21235 | STUB LEVER | | 1 | LOW TOWER | K-2428,S-1677 |
| 7 | 21236 | STUB LEVER | | 1 | HIGH TOWER | K-2429,S-1579,S-2130 |
| 9 | 21767 | 90 DEG LEVER | | 1 | STRAIGHT 33" | |
| 10 | K-3399 | ISOLATOR BUSHING KIT | 21244 ,23311 | 1 | | |
| 11 | X-8-560 | SCREW | | 1 | | |
| 12 | X-9-503 | NUT | | 1 | | |

KITS & ASSEMBLIES

| Item | Current Part | Description | Replaced Part | Qty. | Notes | Kits/Assys Where Needed |
|--------|--------------|------------------------------|--|------|--|-------------------------|
| K-1011 | | CYLINDER KIT-REDN | | 1 | | |
| K-1432 | | CYL KIT-RANGE | | 1 | | |
| K-1447 | | -O- RING KIT | | 1 | | K-3655,K-3656,K-3659 |
| K-1450 | | -O- RING KIT-RANGE | | 1 | | |
| K-1451 | | -O- RING KIT | | 1 | | |
| K-1457 | | -O- RING KIT | | 1 | FOR INSERT VALVE | |
| K-1476 | | SHIFT LEVER HSG | 4530 ,17163 ,18298 ,4304905 ,A - 4437 | 1 | LOW TOWER | |
| K-1546 | | REPL KIT-MAINSHAFT | 15948 ,18134 | 1 | | |
| K-1566 | | VALVE REPAIR KIT | | 1 | FOR A-3546 VALVE | |
| K-1567 | | REAR HOUSING KIT | 18700 ,18785 | 1 | | |
| K-1603 | | GASKET KIT | | 1 | FOR AUXILIARY SECTION | |
| K-1613 | | CAP REPLACEMENT KIT | 16429 ,18707 | 1 | FOR A-4688 VALVE | |
| K-1631 | | SHIFT LEVER HSG | 14456 ,17168 ,4304327 | 1 | LOW | |
| K-1644 | | QUILL REPLACEMENT KIT | 16833 ,16834 | 1 | | |
| K-1698 | | -O- RING/ELEMENT KIT | | 1 | FILTER REGULATOR | |
| K-1699 | | REPAIR KIT-SLAVE VALVE | | 1 | FOR A-4688 VALVE | |
| K-1799 | | SMALL PARTS KIT | | 1 | | |
| K-1921 | | MASTER VALVE REPAIR KIT | | 1 | FOR A-6909 & A-5010 VALVES | |
| K-1922 | | MASTER VALVE REPAIR KIT | | 1 | FOR A-5015 VALVE | |
| K-1926 | | COUNTERSHAFT REPL KIT | 20462 ,20463 | 1 | | |
| K-1935 | | REPAIR KIT-SLAVE VALVE | | 1 | FOR A-5000 VALVE | |
| K-1963 | | VALVE CONVERSION KIT | | 1 | CONVERTS A-4688 TO A-5000 VALVE | |
| K-1969 | | SLEEVE KIT | 14362 19460 ,21446 | 1 | FOR SLAVE VALVES | K-1963 |
| K-2002 | | -O- RING KIT | | 1 | COMPLETE | |
| K-2003 | | PIN & BUSHING KIT | | 1 | | |
| K-2010 | | VALVE CONVERSION KIT | | 1 | FOR A-5010 VALVE | |
| K-2015 | | VALVE CONVERSION KIT | | 1 | FOR A-5015 VALVE | |
| K-2107 | | CYLINDER KIT - REDN | | 1 | | |
| K-2199 | | GASKET KIT | | 1 | | K-3655,K-3656,K-3659 |
| K-2256 | | OIL SEAL KIT | 14337 ,19109 ,21036 | 1 | | |
| K-2262 | | OIL SEAL W/SLINGER | 19109 ,20807 ,20808 | 1 | "FOR MECHANICAL COVER" | |
| K-2311 | | REPL KIT-DRIVE GEAR | 19275 ,4300466 | 1 | | |
| K-2394 | | AIR SYSTEMS TOOL KIT | | 1 | | |
| K-2424 | | VALVE REPLACEMENT KIT | 19470 | 1 | | |
| K-2428 | | LEVER REPLACEMENT KIT | | 1 | LOW TOWER | |
| K-2429 | | LEVER REPLACEMENT KIT | | 1 | HIGH TOWER | |
| K-2439 | | KEY & WASHER KIT | | 1 | CONTAINS 3-SIDED KEY | |
| K-2468 | | CLUTCH INSTALLATION KIT | | 1 | FOR USE WITH S-1659 INPUT SHAFT ASSY AND 81504 INPUT SHAFT BEARING | |
| K-2966 | | RETAINER KIT | 19668 ,A - 4729 | 1 | | |
| K-2973 | | SHIFT LEVER HSG KIT | 17166 ,17167 ,4303050 ,4304910 ,K - 1630 K - 1941 | 1 | HIGH TOWER | |
| K-3192 | | MASTER VALVE REPAIR KIT | | 1 | FOR A-6915 VALVE | |
| K-3194 | | MASTER VALVE REPAIR KIT | | 1 | FOR A-7315 VALVE | |
| K-3218 | | IDLER SHAFT REPL KIT | 4302981 | 1 | | |
| K-3399 | | ISOLATOR BUSHING KIT | 21244 ,23311 | 1 | | |
| K-3467 | | PIN REPLACEMENT KIT | 21245 | 1 | | |
| K-3491 | | SYNCHRONIZER KIT | K - 2445 | 1 | LO RANGE / SMALL PIN | |
| K-3492 | | SYNCHRONIZER KIT | K - 2446 | 1 | LO RANGE / LARGE PIN | |
| K-3494 | | SYNCHRONIZER REPLACEMENT KIT | K - 2448 | 1 | SLIDING CLUTCH INCLUDED IN KIT | |
| K-3651 | | OIL SEAL TOOL KIT | | 1 | | |
| K-3655 | | BASIC OVERHAUL KIT | | 1 | 1-3/4" PULL TYPE | |

| Item | Current Part | Description | Replaced Part | Qty. | Notes | Kits/Assys Where Needed |
|------|--------------|---|--|------|---|-------------------------|
| | K-3656 | BASIC OVERHAUL KIT | | 1 | 2" PULL TYPE | |
| | K-3659 | BASIC REBUILD KIT | | 1 | | |
| | K-4125 | CLUTCH INSTALLATION KIT (RT), HYDRAULIC RELEASE | | 1 | STANDARD RT INPUT SHAFT AND YOKE FOR HYDRAULIC CLUTCH RELEASE | |
| | S-1128 | INPUT SHAFT | 16465 | 1 | 2" PULL | |
| | S-1129 | INPUT SHAFT | 16466 | 1 | 2" PUSH | |
| | S-1219 | YOKE ASSY LOW-REV | | 1 | | |
| | S-1341 | MAINSHAFT ASSY | 16761 ,18729 | 1 | | |
| | S-1406 | INPUT SHAFT | 19316 | 1 | 1-3/4" PULL | |
| | S-1409 | INPUT SHAFT | 18837 | 1 | 2" PULL W/SEAL | |
| | S-1440 | SHIFT BAR HSG (STD) | 15890 ,15928 ,16913 ,17115 ,17180 17182 ,17428 ,18571 ,18640 ,18644 18840 ,18847 ,19448 ,19449 ,19453 19454 ,19455 ,19605 ,20074 ,20210 20211 ,21133 ,22955 ,S - 1360 ,S - 1364 S - 1376 ,S - 1377 | 1 | HOUSING ONLY | |
| | S-1441 | SHIFT BAR HSG (F) | 15891 ,16340 ,16564 ,17114 ,17128 17181 ,17218 ,17492 ,17577 ,17900 18203 ,18436 ,18642 ,18646 ,18886 19159 ,19450 ,19451 ,19456 ,19457 19458 ,19717 ,19956 ,20072 ,20212 20213 ,21134 ,22956 ,S - 1106 ,S - 1361 S - 1370 ,S - 1374 ,S - 1375 ,S - 1378 | 1 | HOUSING ONLY | |
| | S-1445 | SHIFT BAR HSG (X) | 18920 ,20135 ,20214 ,20215 ,20487 21135 | 1 | HOUSING ONLY (X) | |
| | S-1446 | SHIFT BAR HSG (XF) | 18925 ,20136 ,20216 ,20217 ,20488 21136 ,S - 1361 | 1 | HOUSING ONLY (XF) | |
| | S-1498 | INPUT SHAFT | 20532 | 1 | 1-3/4" PUSH | |
| | S-1504 | INPUT SHAFT | 20538 | 1 | 1-3/4" PULL | |
| | S-1516 | CAP ASSY | 20851 ,20853 | 1 | FOR A-5000 VALVE | |
| | S-1527 | SHIFT BAR HSG ASSY (X) | 20215 ,21135 | 1 | COMPLETE (X) | |
| | S-1528 | SHIFT BAR HSG ASSY (XF) | 20217 ,21136 | 1 | COMPLETE (XF) | |
| | S-1529 | SHIFT BAR HSG ASSY (F) | 20213 ,22956 | 1 | COMPLETE | |
| | S-1531 | SHIFT BAR HSG ASSY (STD) | 20211 ,22955 | 1 | COMPLETE | |
| | S-1659 | INPUT SHAFT | 20535 23566 4302661 | 1 | 2" PULL - USE W/FBC 20550 | K-2468,K-3656,K-4125 |
| | S-1660 | INPUT SHAFT | 20536 ,23567 | 1 | 2" PUSH - USE W/FBC 20549 | |
| | S-1794 | ISOLATOR ASSY | | 1 | | |
| | S-2129 | SHIFT LEVER HSG ASSY | | 1 | LOW TOWER | |
| | S-2130 | SHIFT LEVER HSG ASSY | S - 2053 | 1 | HIGH TOWER | |
| | S-2136 | REAR BRG COVER ASSY | 21950 ,22040 ,22041 ,22042 ,4302006 4302007 ,S - 1563 | 1 | EXTENDED | |
| | S-2149 | REAR BRG COVER ASSY | 20208 ,21062 | 1 | | |
| | S-2553 | ROADRANGER VALVE ASSY | A - 5044 | 1 | RT - W/SHIFT DIAGRAM MEDALLION | |
| | S-2554 | ROADRANGER VALVE ASSY | A - 5046 | 1 | RTO - W/SHIFT DIAGRAM MEDALLION | |

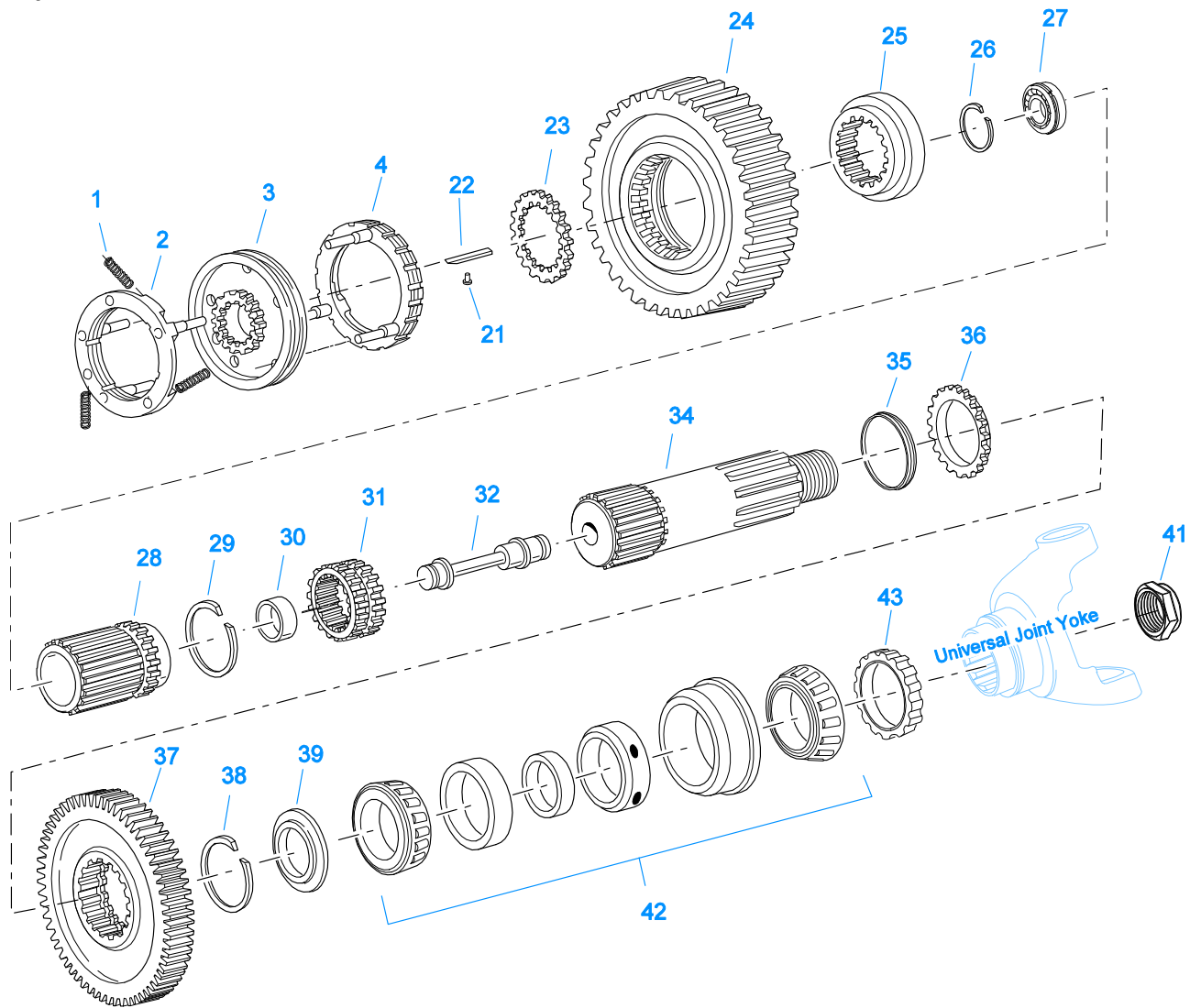


10203-6-94

LEVERS/HOUSINGS

| Item | Current Part | Description | Replaced Part | Qty. | Notes | Kits/Assys Where Needed |
|------|--------------|-----------------------|---------------|------|----------------|---|
| 4 | X-8C-604 | CAPSCREW | | 4 | 3/8"-16X1-1/4" | S-1445,S-1446,S-1527,S-1528,S-1529,S-1531 |
| 23 | K-2428 | LEVER REPLACEMENT KIT | | 1 | LOW TOWER | |
| 23 | K-2429 | LEVER REPLACEMENT KIT | | 1 | HIGH TOWER | |
| 24 | S-1579 | SHIFT TOWER ASSY | | 1 | HIGH TOWER | |
| 24 | S-1677 | SHIFT TOWER ASSY | | 1 | LOW TOWER | |
| 33 | S-2129 | SHIFT LEVER HSG ASSY | | 1 | LOW TOWER | |

| Item | Current Part | Description | Replaced Part | Qty. | Notes | Kits/Assys Where Needed |
|------|--------------|----------------------|---|------|------------------------|---|
| 33 | S-2130 | SHIFT LEVER HSG ASSY | S - 2053 | 1 | HIGH TOWER | |
| 56 | K-2973 | SHIFT LEVER HSG KIT | 17166 ,17167 ,4303050 ,4304910 ,K - 1630 K - 1941 | 1 | HIGH TOWER | |
| 57 | X-1-500 | NUT | | 1 | 5/16"-24 | |
| 58 | X-3-500 | LOCKWASHER | | 1 | 5/16" | |
| 60 | 10427 | BOOT | | 1 | | K-1476,K-2973,S- 1579,S-1677,S-2130 |
| 61 | K-1631 | SHIFT LEVER HSG | 14456 ,17168 ,4304327 | 1 | LOW, USE W/14795 BOOT | |
| 62 | 6541 | PIN | | 1 | 3/8" | |
| 63 | 4305294 | GASKET | 4303431 | 1 | | K-1476,K-1631,K- 2199,K-2428,K- 2429,K-2973,S-1527,S- 1528,S-1529,S-1531,S- 1579,S-1677,S-2129,S- 2130 |
| 64 | 17600 | GEAR SHIFT LEVER | | 1 | STRAIGHT - LOW 21-1/2" | |
| 64 | 18482 | GEAR SHIFT LEVER | | 1 | STRAIGHT - HIGH 35" | |
| 65 | 2538 | RETAINER | | 1 | | K-1476,K-2973,S- 1579,S-1677,S-2130 |
| 66 | 2536 | SPRING | | 1 | | K-1476,K-2973,S- 1579,S-1677,S-2130 |
| 68 | K-3376 | O-RING & WASHER KIT | 4301211 | 1 | | |
| 69 | 18299 | PIN | | 1 | | K-1476,S-1677 |
| 70 | K-1476 | SHIFT LEVER HSG | 4530 ,17163 ,18298 ,4304905 ,A - 4437 7467 | 1 | LOW TOWER | |
| 71 | 11934 | STUD | | 4 | | |
| 72 | X-1-600 | NUT | | 4 | 3/8"-24-N.F.PLAIN | |
| 73 | X-3-600 | LOCKWASHER | | 4 | 3/8" | |
| 74 | 14453 | CLAMP | | 1 | | |
| 75 | 14795 | BOOT | | 1 | | |
| 76 | 14454 | CLAMP | | 1 | | |
| 77 | X-1-604 | NUT | | 4 | 3/8"-24 | |
| 78 | 14461 | PIN | | 1 | | |
| 79 | 14236 | NO LONGER AVAILABLE | | 4 | | |
| 80 | X-1-600 | NUT | | 1 | 3/8"-24-N.F.PLAIN | |
| 81 | X-3-600 | LOCKWASHER | | 1 | 3/8" | |
| 82 | 17560 | LEVER GRIP | | 1 | 1/2"-13 | |

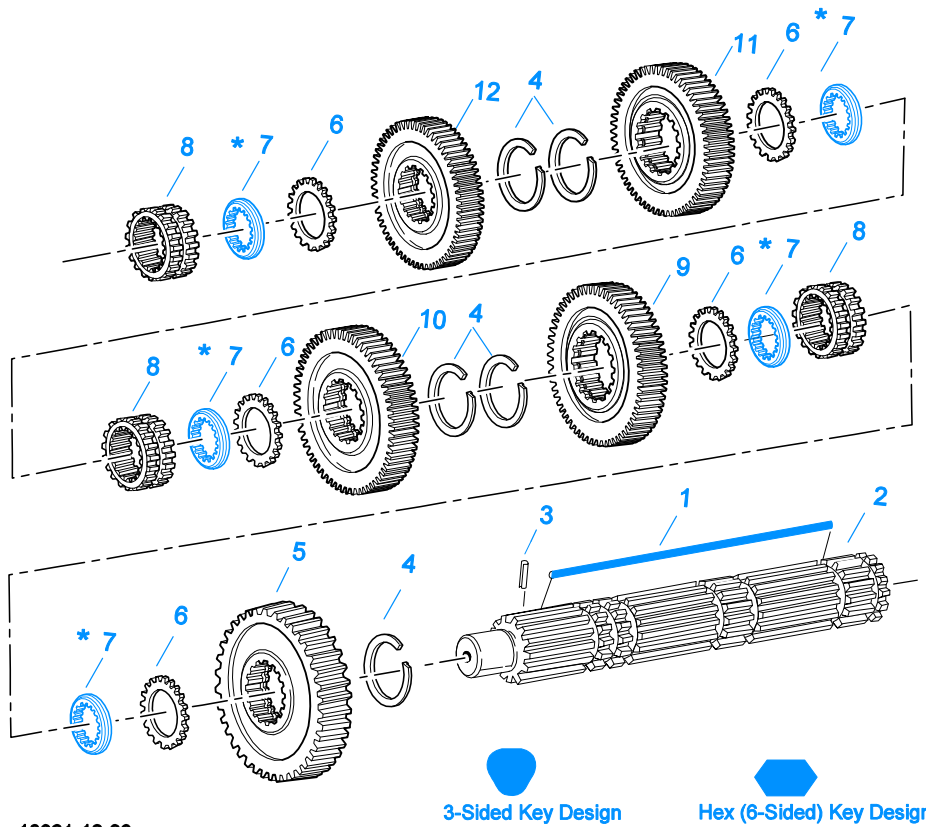


10430-7-94 Aux MS red

MAINSHAFT & SYNCHRO(AUX)

| Item | Current Part | Description | Replaced Part | Qty. | Notes | Kits/Assys Where Needed |
|------|--------------|-------------------------|--------------------------|------|----------------------|--|
| 1 | 14897 | SPRING | | 3 | | K-1799,K-3491,K-3492,K-3494,K-3655,K-3656,K-3659 |
| 2 | A-7331 | SYNCHRONIZER ASSY | 4304396 4304397 A - 5917 | 1 | HI RANGE | K-3491,K-3492,K-3494 |
| 3 | 20323 | SLIDING CLUTCH | | 1 | | K-3494 |
| 4 | A-6153 | SYNCHRONIZER ASSY | A - 4416 | 1 | LO RANGE - SMALL PIN | K-3491 |
| 4 | A-7254 | SYNCHRONIZER ASSEMBLY | A - 4937 A - 5876 | 1 | LO RANGE - LARGE PIN | K-3492,K-3494 |
| 21 | 14832 | PIN | | 1 | | A-3697 |
| 22 | A-3697 | KEY & PIN ASSY | 15516 | 1 | | K-1799 |
| 23 | 15932 | WASHER .202-.204 BLACK | | 1 | | |
| 23 | 17257 | WASHER .206-.208 PURPLE | | 1 | | |
| 23 | 17258 | WASHER .210-.212 YELLOW | | 1 | | |
| 24 | 19315 | LO GEAR-MAINSHAFT | | 1 | | |
| 25 | 18193 | MAINSHAFT COUPLER | 15938 | 1 | | |
| 26 | 14291 | SNAP RING | | 1 | | K-1799,K-3655,K-3656,K-3659 |

| Item | Current Part | Description | Replaced Part | Qty. | Notes | Kits/Assys Where Needed |
|------|--------------|-----------------------|---------------|------|-------|-------------------------|
| 27 | 81547-BOX | BEARING | 81547 | 1 | | K-3655,K-3656,K-3659 |
| 28 | K-1546 | REPL KIT-MAINSHAFT | 15948 ,18134 | 1 | | |
| 29 | 18135 | SNAP RING | | 1 | | K-1546 |
| 30 | 16516 | BUSHING | | 1 | | K-3655,K-3656,K-3659 |
| 31 | 15959 | SLIDING CLUTCH | | 1 | | |
| 32 | K-1644 | QUILL REPLACEMENT KIT | 16833 ,16834 | 1 | | |
| 34 | A-4738 | MAINSHAFT ASSY | 19213 | 1 | | |
| 35 | 14332 | WASHER | | 1 | | K-1799 |
| 36 | 18250 | SPACER | 16308 | 1 | | K-1799 |
| 37 | 20022 | REDUCTION GEAR | 19283 | 1 | | |
| 38 | 14327 | SNAP RING | | 1 | | K-1799 |
| 39 | 16310 | WASHER | | 1 | | K-1799 |
| 41 | 22254 | NUT | 11956 | 1 | | |
| 42 | 14367 | BEARING | | 1 | | K-3655,K-3656,K-3659 |
| 43 | 20192 | ROTOR | | 1 | | |



10321-12-93

*** Updating to 3-Sided Key is Recommended.**
When Updating to 3-Sided Key Replace all Washers to Match Key Design
Always Use Matching Key and Washer Sets (See Appendix - Mainshaft Washers)

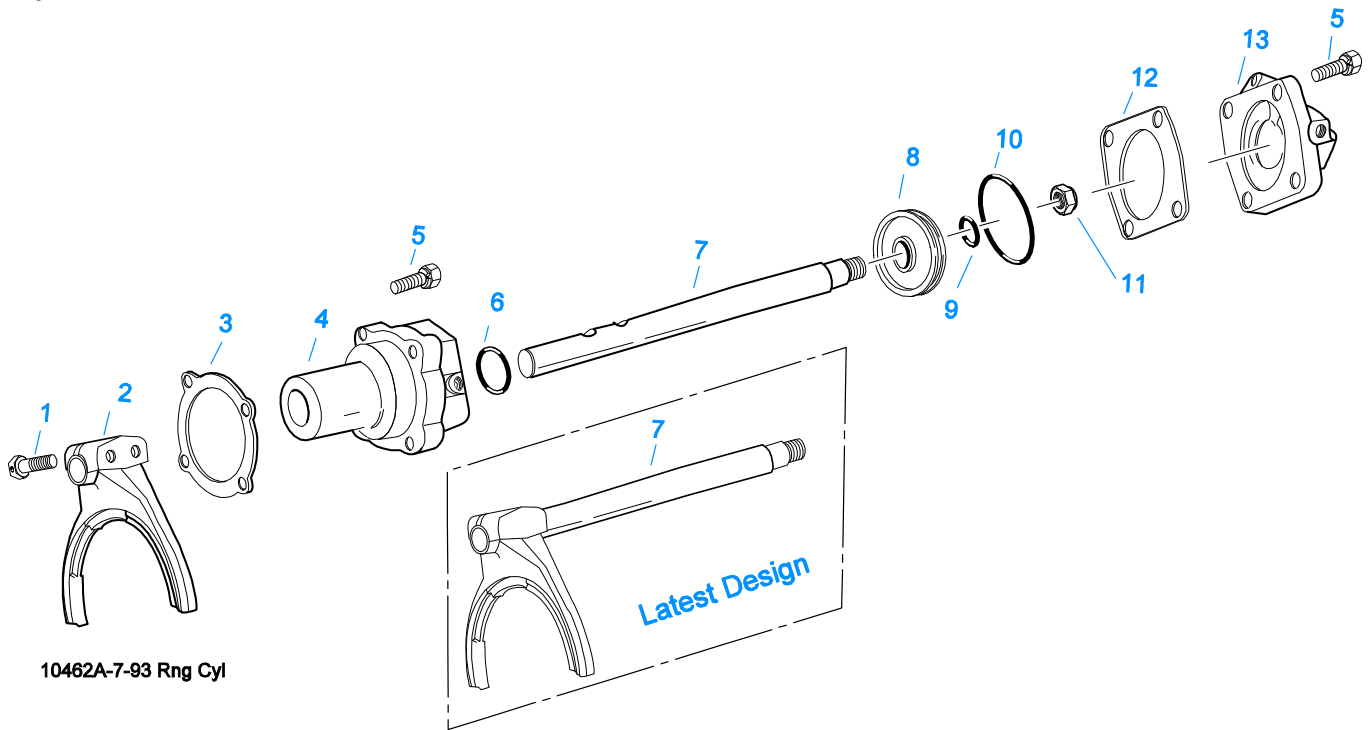
MAINSHAFT ASSY

| Item | Current Part | Description | Replaced Part | Qty. | Notes | Kits/Assys Where Needed |
|------|--------------|-------------------------|---------------|------|--|---|
| 1 | 17109 | HEX (6-SIDED) KEY | | 1 | MUST USE MATCHING WASHERS | |
| 1 | 4304615 | 3-SIDED KEY | 4300120 | 1 | | K-2439 |
| 1 | K-2439 | KEY & WASHER KIT | | 1 | CONTAINS 3-SIDED KEY | |
| 2 | S-1341 | MAINSHAFT ASSY | 16761 ,18729 | 1 | | |
| 3 | 62504 | ROLL PIN | | 1 | | S-1341 |
| 4 | 14750 | SNAP RING | | 5 | | K-1799,K-2468,K-3655,K-3656,K-3659,K-4125 |
| 5 | 16949 | REVERSE GEAR-MAINSHAFT | | 1 | | |
| 6 | 14749 | SPACER | | 5 | | K-1799 |
| 7 | 14711 | WASHER .248-.250 WHITE | 18701 | 5 | OPTIONAL 14711-14716 USE ANY 5 WASHERS USE WITH 17109 KEY | K-1799 |
| 7 | 14712 | WASHER .253-.255 GREEN | 18702 | 5 | OPTIONAL 14711-14716 USE ANY 5 WASHERS USE WITH 17109 KEY | K-1799 |
| 7 | 14713 | WASHER .258-.260 ORANGE | 18703 | 5 | OPTIONAL 14711-14716 USE ANY 5 WASHERS USE WITH 17109 KEY | K-1799 |
| 7 | 14714 | WASHER .263-.265 PURPLE | 18704 | 5 | OPTIONAL 14711-14716 USE ANY 5 WASHERS USE WITH 17109 KEY | |
| 7 | 14715 | WASHER .268-.270 YELLOW | 18705 | 5 | OPTIONAL 14711-14716 USE ANY 5 WASHERS USE WITH 17109 KEY | |
| 7 | 14716 | WASHER .273-.275 BLACK | 18706 | 5 | OPTIONAL 14711-14716 USE ANY 5 WASHERS USE WITH 17109 KEY | |
| 7 | 4300382 | WASHER .249-WHITE | | 5 | | K-2439 |
| 7 | 4300383 | WASHER .254-GREEN | | 5 | OPTIONAL 4300382-4300387 OR 4300830 USE ANY 5 WASHERS. USE | K-2439 |

| Item | Current Part | Description | Replaced Part | Qty. | Notes | Kits/Assys Where Needed |
|------|--------------|--------------------|----------------|------|---|-------------------------|
| 7 | 4300384 | WASHER .259-ORANGE | | 5 | WITH 3-SIDED KEY OPTIONAL 4300382-4300387 OR 4300830 USE ANY 5 WASHERS. USE WITH 3-SIDED KEY | K-2439 |
| 7 | 4300385 | WASHER .264-PURPLE | | 5 | OPTIONAL 4300382-4300387 OR 4300830 USE ANY 5 WASHERS. USE WITH 3-SIDED KEY | |
| 7 | 4300386 | WASHER .269-YELLOW | | 5 | OPTIONAL 4300382-4300387 OR 4300830 USE ANY 5 WASHERS. USE WITH 3-SIDED KEY | |
| 7 | 4300387 | WASHER .274-BLACK | | 5 | OPTIONAL 4300382-4300387 OR 4300830 USE ANY 5 WASHERS. USE WITH 3-SIDED KEY | |
| 7 | 4300830 | WASHER .244-BLUE | | 5 | | K-2439 |
| 8 | 16118 | SLIDING CLUTCH | | 3 | | K-3655,K-3656 |
| 9 | 20383 | 1ST GEAR-MAINSHAFT | 19616 | 1 | | |
| 10 | 20381 | 2ND GEAR-MAINSHAFT | 19268 ,4302104 | 1 | | |
| 11 | 20379 | 3RD GEAR-MAINSHAFT | 19626 | 1 | | |
| 12 | 20377 | 4TH GEAR-MAINSHAFT | 19644 | 1 | | |

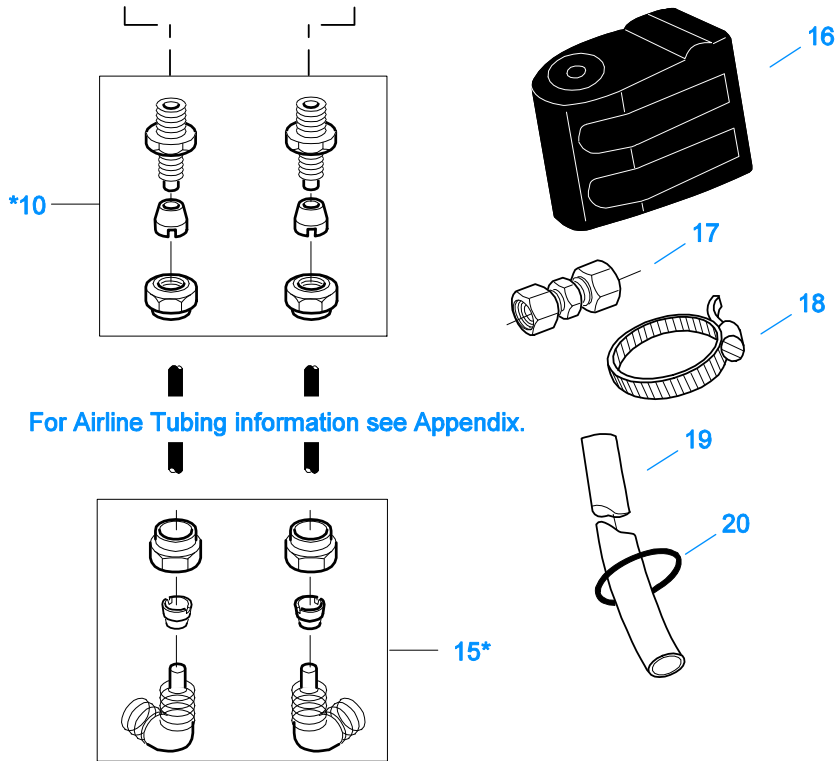
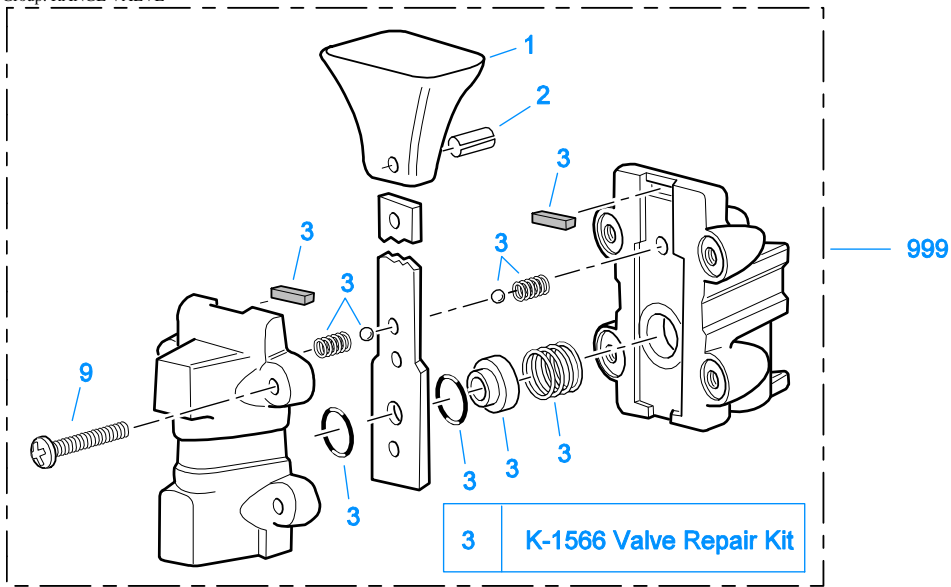
MISCELLANEOUS

| Item | Current Part | Description | Replaced Part | Qty. | Notes | Kits/Assys Where Needed |
|-------|--------------|---------------------|---------------|------|----------------------------------|--|
| 20467 | | SHIFT DIAGRAM LABEL | 19832 ,20404 | 1 | RTO | |
| 20468 | | SHIFT DIAGRAM LABEL | 19829 ,20403 | 1 | RT/RTX | |
| 21075 | | WARNING LABEL | | 1 | | |
| 71203 | | SILICONE LUBE | | 1 | 8 OZ (236.59 CC)-FLEET SIZE | |
| 71204 | | ADHESIVE SEALANT | | 1 | 0.5 CC (SINGLE APPLICATION SIZE) | |
| 71205 | | SEALANT | | 1 | 2 CC (SINGLE APPLICATION SIZE) | K-3655,K-3656 |
| 71206 | | SILICONE LUBE | | 1 | 4 CC (SINGLE APPLICATION SIZE) | K-1011,K-1432,K-1447,K-1450,K-1451,K-1566,K-1699,K-2002,K-2428,K-2429,K-3331 |



RANGE CYLINDER

| Item | Current Part | Description | Replaced Part | Qty. | Notes | Kits/Assys Where Needed |
|------|--------------|--------------------|------------------|------|----------------|---|
| 1 | X-7-809 | BOLT | X 7 810 ,X 7 811 | 2 | 1/2"-20X1-3/4" | |
| 2 | 22823 | SHIFT YOKE | 16775 | 1 | | |
| 3 | 14347 | GASKET | | 1 | | K-1432,K-1603,K-2199 |
| 4 | 16777 | AUXILIARY CYLINDER | | 1 | | K-1432 |
| 5 | X-8C-604 | CAPSCREW | | 8 | 3/8"-16X1-1/4" | S-1445,S-1446,S-1527,S-1528,S-1529,S-1531 |
| 6 | 14765 | -O- RING | | 1 | | K-1432,K-1447,K-1450,K-2002 |
| 7 | 16776 | YOKE BAR | | 1 | | |
| 7 | A-6159 | WELDED YOKE ASSY | 4301651 | 1 | | |
| 8 | 14341 | PISTON | 23353 | 1 | | K-1432 |
| 9 | 14345 | -O- RING | | 1 | | K-1432,K-1447,K-1450,K-2002 |
| 10 | 14344 | -O- RING | | 1 | | K-1432,K-1447,K-1450,K-2002 |
| 11 | X-1-1010 | NUT | | 1 | 5/8"-18 | |
| 12 | 14349 | GASKET | | 1 | | K-1432,K-1447,K-1450,K-1603,K-2002,K-2199 |
| 13 | 19690 | CYLINDER COVER | | 1 | | |



*For Connector and Elbow Assy component information see Appendix

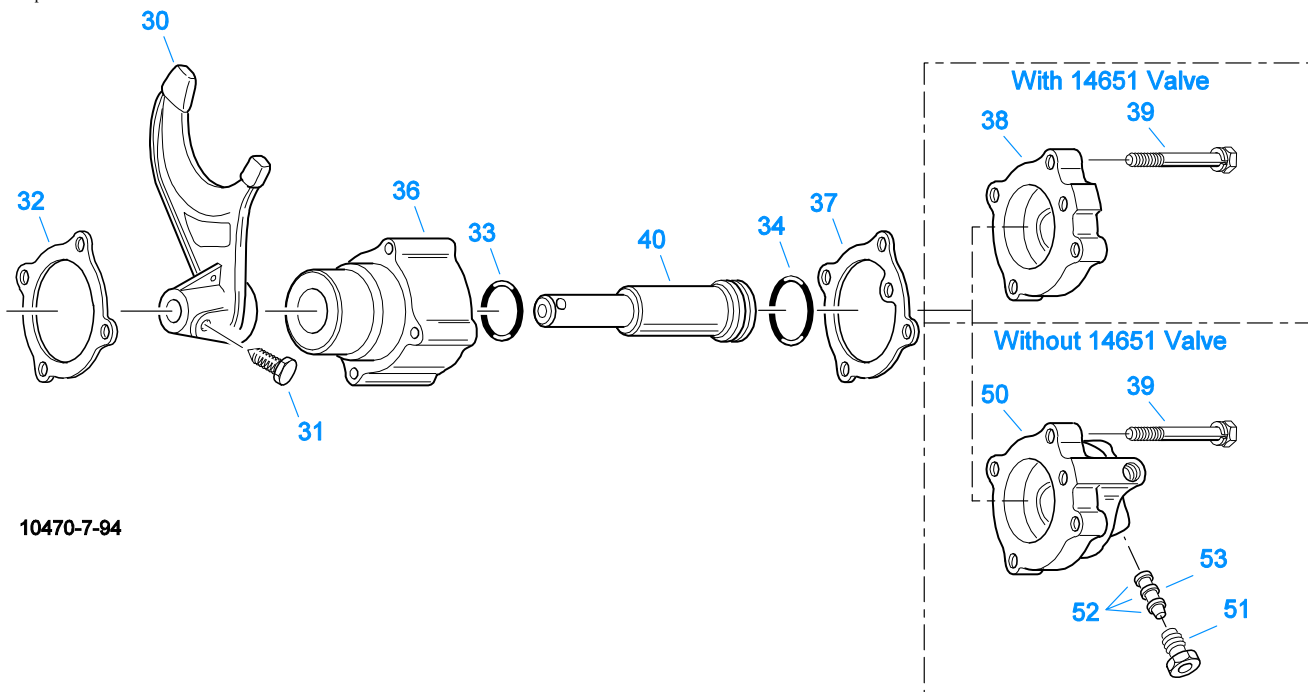
10099-5/93 AV

RANGE VALVE

| Item | Current Part | Description | Replaced Part | Qty. | Notes | Kits/Assys Where Needed |
|------|--------------|------------------|---------------|------|-------------------------------|-------------------------|
| 1 | 15120 | KNOB | | 1 | | A-3546 |
| 2 | 62512 | ROLL PIN | | 1 | | A-3546 |
| 3 | K-1566 | VALVE REPAIR KIT | | 1 | FOR A-3546 VALVE | |
| 9 | X-13-214 | SCREW | | 4 | 8-32X3/4" | |
| 10 | 84002 | CONNECTOR ASSY | 82502 | 2 | 1/8" TUBE-1/8" NPTF | K-1963, K-3655, K-3656 |
| 10 | 84004 | CONNECTOR ASSY | 82504 | 2 | 5/32" TUBE-1/8" NPTF | |
| 10 | 84006 | CONNECTOR ASSY | | 2 | "PUSH-TO-CONNECT" 5/32" TUBE- | K-2010, K-2015 |

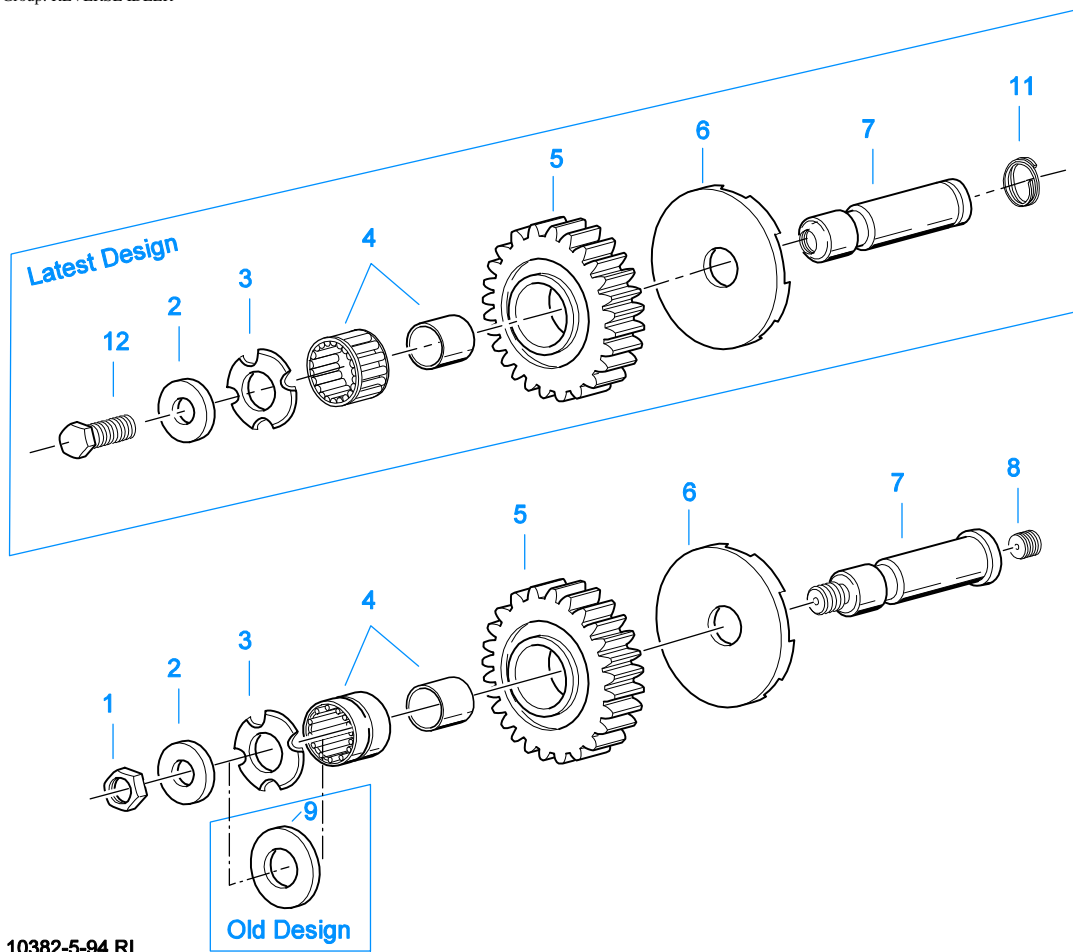
| Item | Current Part | Description | Replaced Part | Qty. | Notes | Kits/Assys Where Needed |
|------|--------------|------------------------|---------------------|------|--------------------------------------|-------------------------|
| 15 | 85001 | ELBOW ASSY | 84501 | 2 | 1/8"NPTF | |
| 15 | 85002 | ELBOW ASSY | 84502 | 2 | 5/32"TUBE-1/8"NPTF | K-1963,K-3655,K-3656 |
| 15 | 85003 | ELBOW ASSY | | 2 | 1/8"TUBE-1/8"NPTF | K-2010,K-2015,K-3331 |
| | | | | | "PUSH-TO-CONNECT" 5/32"TUBE-1/8"NPTF | |
| 16 | 18905 | NO LONGER AVAILABLE | | 1 | | |
| 17 | 84101 | UNION ASSY | | 1 | 1/8" TUBING | |
| 17 | 84102 | UNION ASSY | | 1 | 5/32" TUBING | |
| 17 | 84103 | UNION ASSY | | 1 | "PUSH-TO-CONNECT" 5/32" TUBING | K-2010,K-2015 |
| 18 | 14441 | CLAMP | 14465 | 1 | | |
| 19 | 80120 | SHEATHING (50 FT ROLL) | | 1 | 5/32" - BLACK 50' | |
| 20 | 13571 | -O- RING CLAMP | | 2 | | |
| 999 | A-3546 | RANGE VALVE ASSY | 18268 ,18269 ,18272 | 1 | | |

Group: REDUCTION CYLINDER



REDUCTION CYLINDER

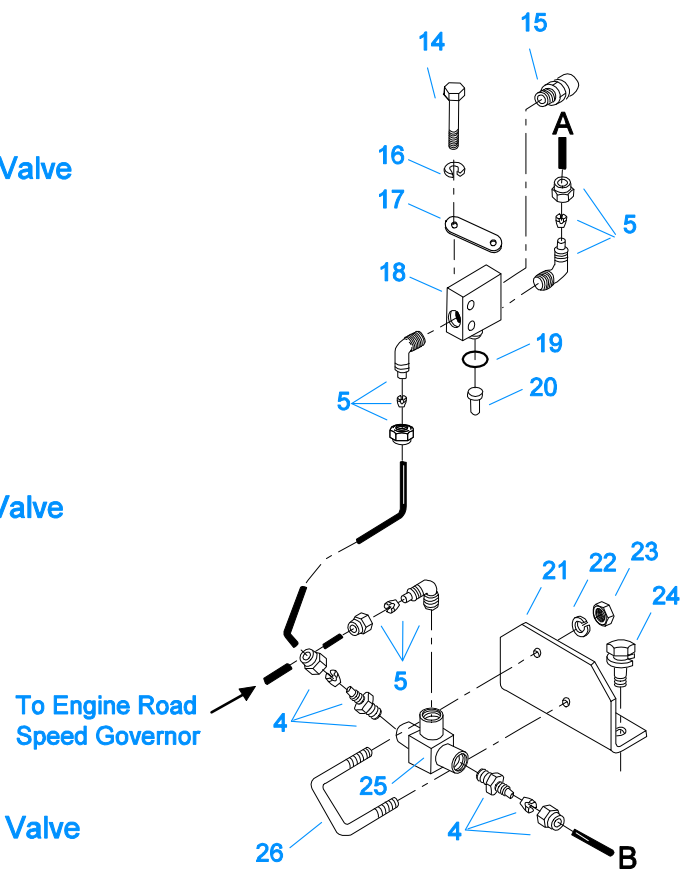
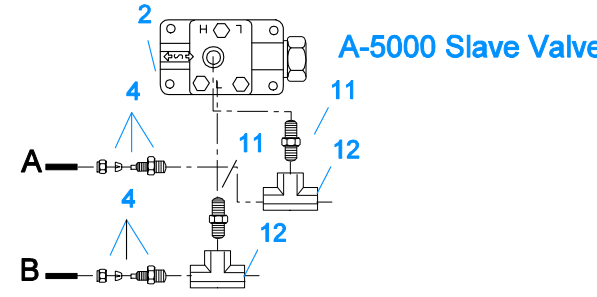
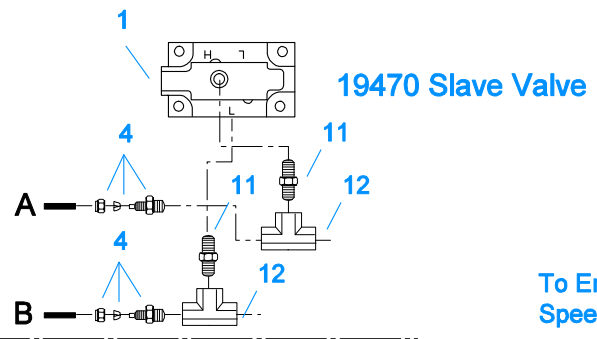
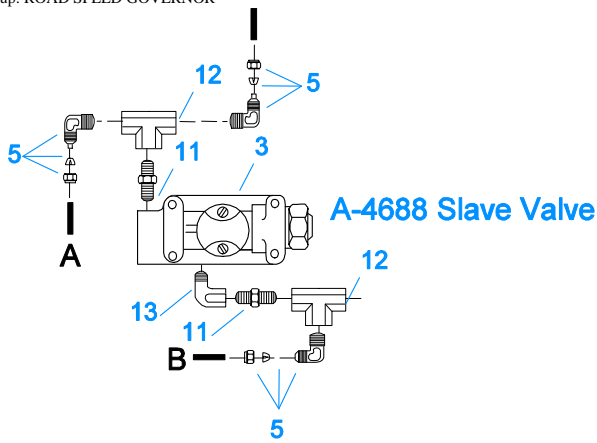
| Item | Current Part | Description | Replaced Part | Qty. | Notes | Kits/Assys Where Needed |
|------|--------------|-----------------------|--------------------------------------|------|-------------------------------|------------------------------------|
| 30 | 16517 | SHIFT YOKE | | 1 | | |
| 31 | 3220 | LOCKSCREW | | 1 | | S-1527,S-1528,S-1529,S-1531 |
| 32 | 14632 | GASKET | | 1 | | K-1011,K-1603,K-2107,K-2199 |
| 33 | 14644 | -O- RING | | 1 | USE W/16962 YOKE BAR & PISTON | K-1011,K-1447,K-1451 |
| 33 | 21208 | -O- RING | | 1 | USE W/21233 YOKE BAR & PISTON | K-2002,K-2107,K-3655,K-3656,K-3659 |
| 34 | 14621 | -O- RING | | 1 | USE W/16962 YOKE BAR & PISTON | K-1011,K-1447,K-1451 |
| 34 | 21209 | -O- RING | | 1 | USE W/21233 YOKE BAR & PISTON | K-2002,K-2107,K-3655,K-3656,K-3659 |
| 36 | 17070 | AUXILIARY CYLINDER | | 1 | USE W/16962 YOKE BAR & PISTON | K-1011 |
| 36 | 21210 | AUXILIARY CYLINDER | | 1 | USE W/21233 YOKE BAR & PISTON | K-2107 |
| 37 | 17073 | GASKET | | 1 | | K-1011,K-1603,K-2002,K-2199 |
| 38 | 17072 | CYLINDER COVER | | 1 | | K-1011 |
| 39 | X-8L-540 | CAPSCREW | | 4 | 5/16"-18X1-7/8" | |
| 40 | 16962 | YOKE BAR & PISTON | | 1 | USE W/17070 CYLINDER | K-1011 |
| 40 | 21233 | YOKE BAR & PISTON | | 1 | USE W/21210 CYLINDER | K-2107 |
| 50 | K-3331 | SPLITTER VLV REPL KIT | 4300927 4304031 4304032 ,A - 6862 | 1 | | K-2015,K-2107 |
| 51 | 15719 | PLUG | | 1 | | |
| 52 | 13653 | -O- RING | | 3 | | K-1457,K-3331 |
| 53 | 19974 | INSERT VALVE | 15512 4303616 | 1 | | K-3655,K-3656,K-3659 |



10382-5-94 RI

REVERSE IDLER

| Item | Current Part | Description | Replaced Part | Qty. | Notes | Kits/Assys Where Needed |
|------|--------------|----------------------|---------------|------|---------------|-------------------------|
| 1 | X-1-1008 | NUT | | 2 | 5/8"-18 | |
| 2 | 14283 | WASHER | | 2 | | K-3218 |
| 3 | 4302982 | WASHER | 14282 | 2 | | K-3218 |
| 4 | 14287 | BEARING | 4305020 | 2 | | K-3655,K-3656,K-3659 |
| 5 | 16953 | IDLER GEAR | | 2 | | |
| 6 | 19288 | WASHER | | 2 | | K-3218 |
| 7 | K-3218 | IDLER SHAFT REPL KIT | 4302981 | 2 | | |
| 8 | 5202 | PLUG | | 2 | | |
| 9 | 14282 | NO LONGER AVAILABLE | | 2 | | |
| 11 | 4303336 | RETAINING RING | | 2 | | K-3218 |
| 12 | X-7-1008 | CAPSCREW | | 2 | 5/8"-18X1-1/4 | |

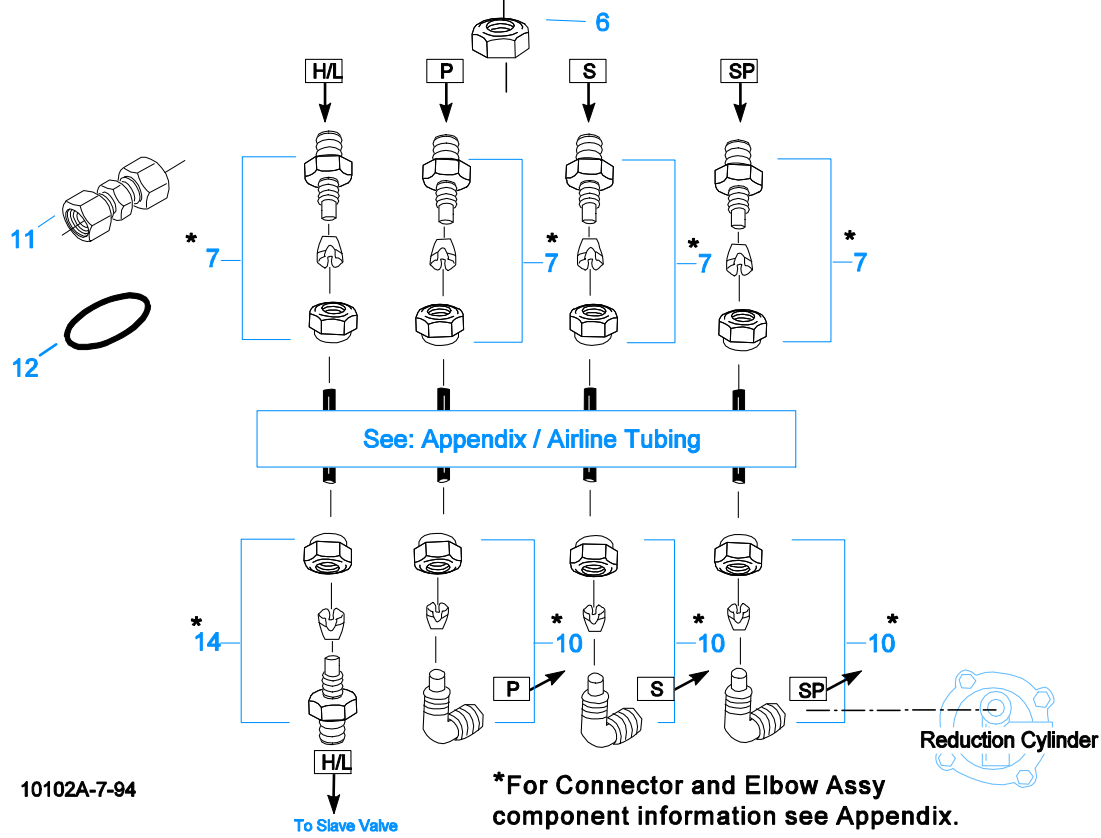
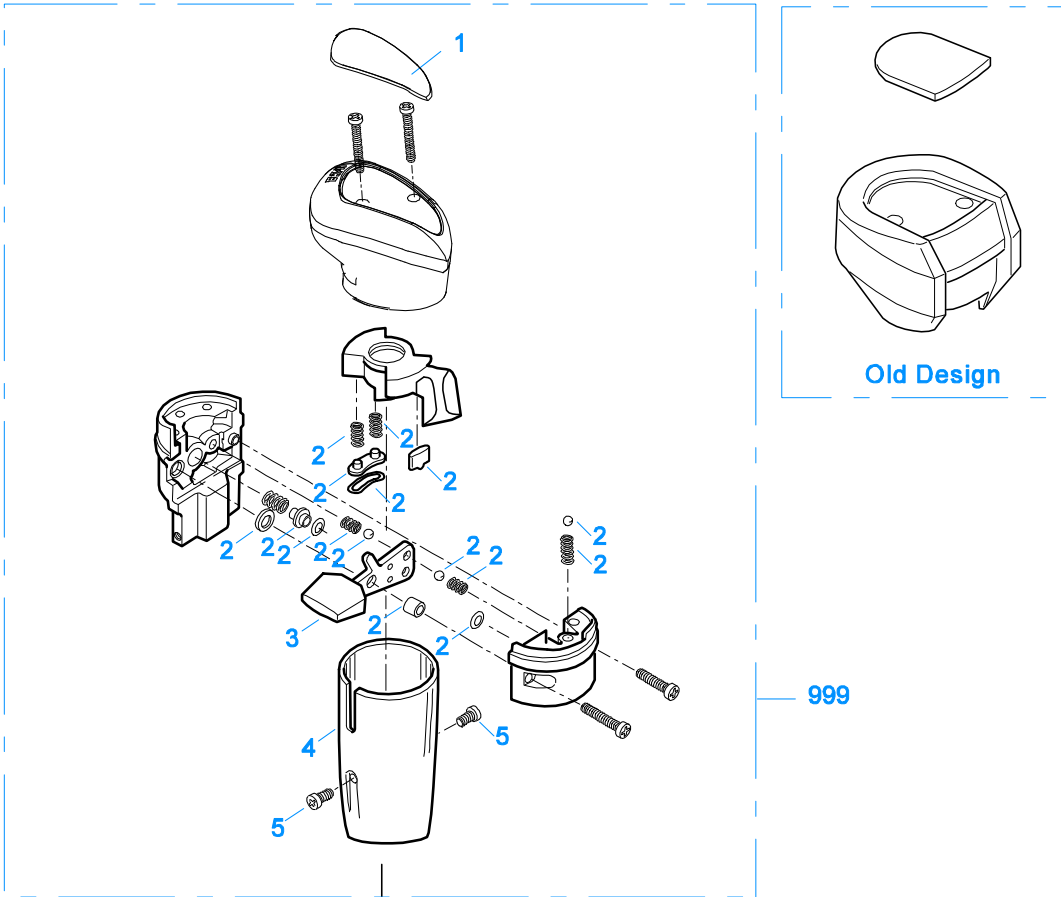


10501-6-94 HC/RSG

ROAD SPEED GOVERNOR

| Item | Current Part | Description | Replaced Part | Qty. | Notes | Kits/Assys Where Needed |
|------|--------------|-----------------------|------------------------|------|--|---|
| 1 | K-2424 | VALVE REPLACEMENT KIT | 19470 | 1 | | |
| 2 | A-5000 | SLAVE VALVE ASSY | 20850 | 1 | | K-1963,K-2424 |
| 3 | A-4688 | SLAVE VALVE ASSY | 15125 ,19464 ,A - 3991 | 1 | | |
| 4 | 84002 | CONNECTOR ASSY | 82502 | 4 | 1/8" TUBE-1/8" NPTF | K-1963,K-3655,K-3656 |
| 4 | 84004 | CONNECTOR ASSY | 82504 | 4 | 5/32" TUBE-1/8" NPTF | |
| 4 | 84006 | CONNECTOR ASSY | | 4 | "PUSH-TO-CONNECT" 5/32" TUBE-1/8" NPTF | K-2010,K-2015 |
| 5 | 85001 | ELBOW ASSY | 84501 | 6 | 5/32" TUBE-1/8" NPTF | |
| 5 | 85002 | ELBOW ASSY | 84502 | 6 | 1/8" TUBE-1/8" NPTF | K-1963,K-3655,K-3656 |
| 5 | 85003 | ELBOW ASSY | | 6 | "PUSH-TO-CONNECT" 5/32" TUBE-1/8" NPTF | K-2010,K-2015,K-3331 |
| 11 | 12769 | NIPPLE | | 2 | 1/8" | K-1963 |
| 12 | 12881 | TEE | | 2 | 1/8" | K-1963 |
| 13 | 12845 | ELBOW | | 1 | 1/8" | K-1963 |
| 14 | X-8-434 | CAPSCREW | | 2 | 1/4"-20X2" | |
| 15 | 7935 | BREATHER | | 1 | | |
| 16 | X-3-400 | LOCKWASHER | | 2 | 1/4" | |
| 17 | 20199 | PLATE | 18724 | 1 | | S-1440,S-1441,S-1445,S-1446,S-1527,S-1528,S-1529,S-1531 |

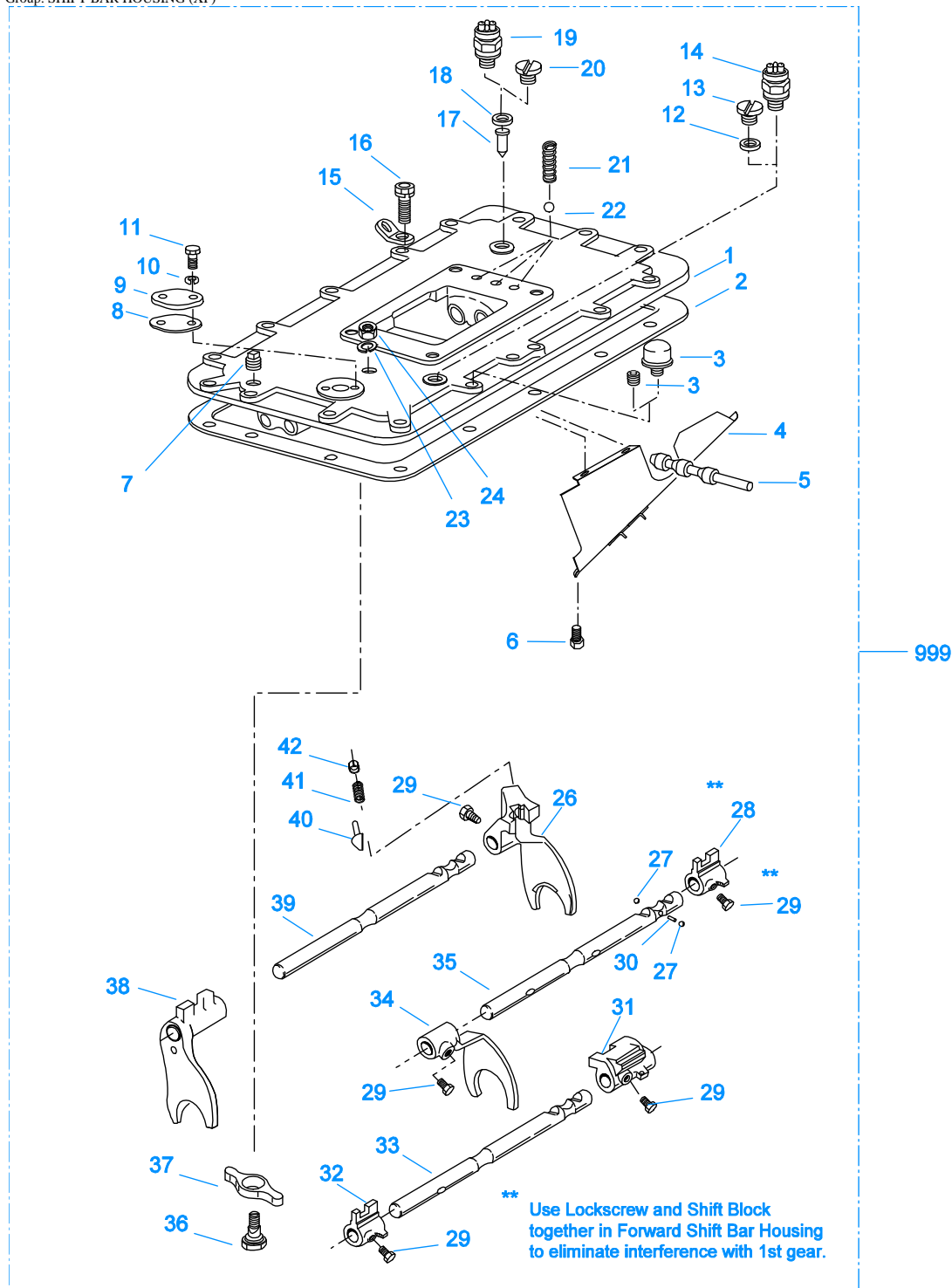
| Item | Current Part | Description | Replaced Part | Qty. | Notes | Kits/Assys Where Needed |
|------|--------------|---------------------|---------------|------|-----------------|---|
| 18 | 18734 | VALVE | | 1 | | |
| 19 | 18656 | NO LONGER AVAILABLE | | 1 | | |
| 20 | 15899 | PIN | | 1 | RT-RTF-RTO-RTOF | S-1440,S-1441,S-1445,S-1446,S-1527,S-1528,S-1529,S-1531 |
| 20 | 20119 | PIN | | 1 | RTX-RTXF | |
| 21 | 18685 | NO LONGER AVAILABLE | | 1 | | |
| 22 | X-3-305 | LOCKWASHER | | 2 | #10 | |
| 23 | X-1-250 | NO LONGER AVAILABLE | | 2 | #10-32 | |
| 24 | X-8L-602 | CAPSCREW | | 2 | 3/8"-16X1-1/2" | |
| 25 | 18675 | VALVE | | 1 | | |
| 26 | 18684 | NO LONGER AVAILABLE | | 1 | | |



10102A-7-94

ROADRANGER VALVE

| Item | Current Part | Description | Replaced Part | Qty. | Notes | Kits/Assys Where Needed |
|------|--------------|-------------------------|------------------|------|---|-------------------------|
| 1 | 20107 | MEDALLION, LOGO | | 1 | (OLD DESIGN) FULLER LOGO ONLY | |
| 1 | 21691 | LOGO MEDALLION | 4302349, 4300370 | 1 | (OLD DESGIN) FULLER LOGO (LEFT OF DRIVER) | |
| 1 | 5586100 | MEDALLION, LOGO | | 1 | (LATEST DESIGN) FULLER LOGO ONLY | A-6915,A-7315 |
| 1 | 5586106 | SHIFT DIAGRAM MEDALLION | | 1 | RT | S-2553 |
| 1 | 5586107 | SHIFT DIAGRAM MEDALLION | | 1 | RTO | S-2554 |
| 2 | K-1922 | MASTER VALVE REPAIR KIT | | 1 | FOR A-5015 VALVE | |
| 2 | K-2055 | MASTER VALVE REPAIR KIT | | 1 | FOR A-5315 VALVE | |
| 2 | K-3192 | MASTER VALVE REPAIR KIT | | 1 | FOR A-6915 VALVE | |
| 2 | K-3194 | MASTER VALVE REPAIR KIT | | 1 | FOR A-7315 VALVE | |
| 3 | 20496 | LEVER | | 1 | | A-6915,A-7315 |
| 4 | 20112 | COVER | | 1 | | A-6915,A-7315 |
| 5 | X-8-213 | SCREW | X 8 202 | 2 | 8-32X3/8" | |
| 6 | X-9-802 | NUT | | 1 | 1/2"-13 | |
| 7 | 84001 | CONNECTOR ASSY | 82501 | 4 | 1/8" TUBE-1/16" NPTF | |
| 7 | 84003 | CONNECTOR ASSY | 82503 | 4 | 5/32" TUBE-1/16" NPTF | |
| 7 | 84005 | CONNECTOR ASSY | | 4 | "PUSH-TO-CONNECT" 5/32" TUBE-1/16" NPTF | K-2010,K-2015 |
| 10 | 85001 | ELBOW ASSY | 84501 | 3 | 5/32" TUBE-1/8" NPTF | |
| 10 | 85002 | ELBOW ASSY | 84502 | 3 | 1/8" TUBE-1/8" NPTF | K-1963,K-3655,K-3656 |
| 10 | 85003 | ELBOW ASSY | | 3 | "PUSH-TO-CONNECT" 5/32" TUBE-1/8" NPTF | K-2010,K-2015,K-3331 |
| 11 | 84101 | UNION ASSY | | 1 | 1/8" TUBING | |
| 11 | 84102 | UNION ASSY | | 1 | 5/32" TUBING | |
| 11 | 84103 | UNION ASSY | | 1 | "PUSH-TO-CONNECT" 5/32" TUBING | K-2010,K-2015 |
| 12 | 13571 | -O- RING CLAMP | | 1 | | |
| 14 | 84002 | CONNECTOR ASSY | 82502 | 1 | 1/8" TUBE-1/8" NPTF | K-1963,K-3655,K-3656 |
| 14 | 84004 | CONNECTOR ASSY | 82504 | 1 | 5/32" TUBE-1/8" NPTF | |
| 14 | 84006 | CONNECTOR ASSY | | 1 | "PUSH-TO-CONNECT" 5/32" TUBE-1/8" NPTF | K-2010,K-2015 |
| 999 | A-6915 | ROADRANGER VALVE ASSY | A - 5015 | 1 | STANDARD-W/LOGO | K-2015 |
| 999 | A-7315 | ROADRANGER VALVE ASSY | A - 5315 | 1 | (LEFT OF DRIVER)-W/LOGO | |
| 999 | S-2553 | ROADRANGER VALVE ASSY | A - 5044 | 1 | RT - W/SHIFT DIAGRAM MEDALLION | |
| 999 | S-2554 | ROADRANGER VALVE ASSY | A - 5046 | 1 | RTO - W/SHIFT DIAGRAM MEDALLION | |



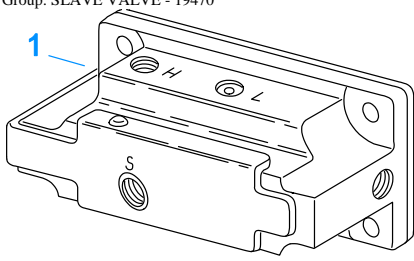
10250-1/92 X-Forward

SHIFT BAR HOUSING (XF)

| Item | Current Part | Description | Replaced Part | Qty. | Notes | Kits/Assys Where Needed |
|------|--------------|--------------------|---|------|--------------|--|
| 1 | S-1446 | SHIFT BAR HSG (XF) | 18925 ,20136 ,20216 ,20217 ,20488 21136 ,S - 1361 | 1 | HOUSING ONLY | |
| 2 | 4302676 | GASKET | 14918 | 1 | | K-2199,S-1527,S- 1528,S-1529,S-1531 |
| 3 | 4304602 | BREATHER | 23605 | 1 | 1/4" NPT | |
| 3 | X-12-404 | PIPE PLUG | | 1 | 1/4" NPT | |

| Item | Current Part | Description | Replaced Part | Qty. | Notes | Kits/Assys Where Needed |
|------|--------------|-------------------------|---------------|------|--|---|
| 4 | 20070 | OIL TROUGH | | 1 | | S-1527,S-1528,S-1529,S-1531 |
| 5 | 20332 | AIR VALVE SHAFT | 17177 | 1 | | S-1527,S-1528,S-1529,S-1531 |
| 6 | X-8-423 | CAPSCREW | | 2 | 1/4"-20X1/2" | |
| 7 | X-12-603 | PIPE PLUG | X12 602 | 1 | 3/8" NPT | |
| 8 | 20209 | GASKET | | 1 | | S-1440,S-1441,S-1445,S-1446,S-1527,S-1528,S-1529,S-1531 |
| 9 | 20199 | PLATE | 18724 | 1 | | S-1440,S-1441,S-1445,S-1446,S-1527,S-1528,S-1529,S-1531 |
| 10 | X-3-400 | LOCKWASHER | | 2 | 1/4" | |
| 11 | X-8-406 | CAPSCREW | | 2 | 1/4"-20X3/4" | |
| 12 | 17179 | GASKET | | 1 | | S-1440,S-1441,S-1445,S-1446,S-1527,S-1528,S-1529,S-1531 |
| 13 | 4303655 | PLUG | 17178 | 1 | | S-1440,S-1441,S-1445,S-1446,S-1527,S-1528,S-1529,S-1531 |
| 14 | 22941 | NEUTRAL LIGHT SWITCH | 12639 | 1 | SWITCH NORMALLY CLOSED | |
| 15 | 20815 | LIFTING EYE | 17105 | 2 | | |
| 16 | X-8L-602 | CAPSCREW | | 2 | 3/8"-16X1-1/2" USE W/20815 LIFTING EYES | |
| 16 | X-8L-604 | CAPSCREW | | 16 | 3/8"-16X1-1/4"- OR USE 14 PCS OF X-8L-604 WITH 2 PCS OF X-8L-602 | |
| 17 | 15899 | PIN | | 1 | | S-1440,S-1441,S-1445,S-1446,S-1527,S-1528,S-1529,S-1531 |
| 18 | 15900 | GASKET | | 1 | | S-1440,S-1441,S-1445,S-1446,S-1527,S-1528,S-1529,S-1531 |
| 19 | 22940 | REVERSE LIGHT SWITCH | 16830 | 1 | SWITCH NORMALLY OPEN | |
| 20 | 4303656 | PLUG | 15917 | 1 | | S-1440,S-1441,S-1445,S-1446,S-1527,S-1528,S-1529,S-1531 |
| 21 | 15918 | SPRING | | 3 | | K-1799,K-3655,K-3656,S-1527,S-1528,S-1529,S-1531 |
| 22 | X-14-800 | STEEL BALL | | 3 | 1/2" | |
| 23 | X-10-801 | WASHER | | 1 | 1/2" | |
| 24 | X-1-803 | NUT | | 1 | 1/2"-20 | |
| 26 | 16338 | SHIFT YOKE | | 1 | REVERSE/LO | S-1528,S-1529 |
| 27 | X-14-1200 | STEEL BALL | | 2 | 3/4" | |
| 28 | 15770 | SHIFT BLOCK | | 1 | 1ST/2ND | S-1528 |
| 29 | 22943 | LOCKSCREW | | 1 | USE W/15770 SHIFT BLOCK | S-1528,S-1529 |
| 29 | 3220 | LOCKSCREW | | 4 | | S-1527,S-1528,S-1529,S-1531 |
| 30 | 1634 | INTERLOCK PIN | | 1 | | K-1799,S-1527,S-1528,S-1529,S-1531 |
| 31 | 19062 | SHIFT BLOCK | | 1 | 3RD/OD | S-1528 |
| 32 | 20120 | SHIFT BLOCK | 18924 | 1 | 3RD/OD | S-1527,S-1528 |
| 33 | 18931 | YOKE BAR | 4302759 | 1 | 3RD/OD | S-1528 |
| 33 | 20118 | YOKE BAR | | 1 | 3RD/OD-W/ROAD SPEED GOVERNOR | |
| 34 | 18922 | SHIFT YOKE | | 1 | 1ST/2ND | S-1527,S-1528 |
| 35 | 18930 | YOKE BAR | | 1 | 1ST/2ND | S-1528 |
| 36 | 18919 | ACTUATOR PIVOT PIN | | 1 | | |
| 37 | 18918 | NO LONGER AVAILABLE | | 1 | | |
| 38 | 4305575 | SHIFT YOKE | 20450 | 1 | 3RD/OD | S-1527,S-1528 |
| 39 | 18929 | YOKE BAR | | 1 | REVERSE/LO | S-1528 |
| 40 | 10019 | PLUNGER | | 1 | | S-1219,S-1527,S-1528,S-1529,S-1531 |
| 41 | 6392 | SPRING | | 1 | | S-1219,S-1527,S-1528,S-1529,S-1531 |
| 42 | 8968 | PLUG | | 1 | | S-1219,S-1527,S-1528,S-1529,S-1531 |
| 999 | S-1528 | SHIFT BAR HSG ASSY (XF) | 20217 ,21136 | 1 | COMPLETE | |

Group: SLAVE VALVE - 19470

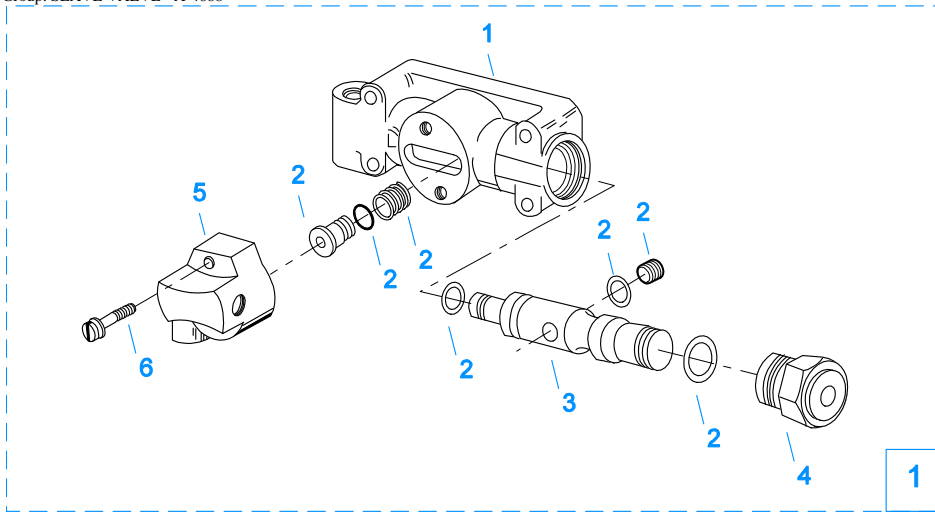


10121-1/92 19470 SV

SLAVE VALVE - 19470

| Item | Current Part | Description | Replaced Part | Qty. | Notes | Kits/Assys Where Needed |
|------|--------------|-----------------------|---------------|------|-------|-------------------------|
| 1 | K-2424 | VALVE REPLACEMENT KIT | 19470 | 1 | | |

Group: SLAVE VALVE - A-4688

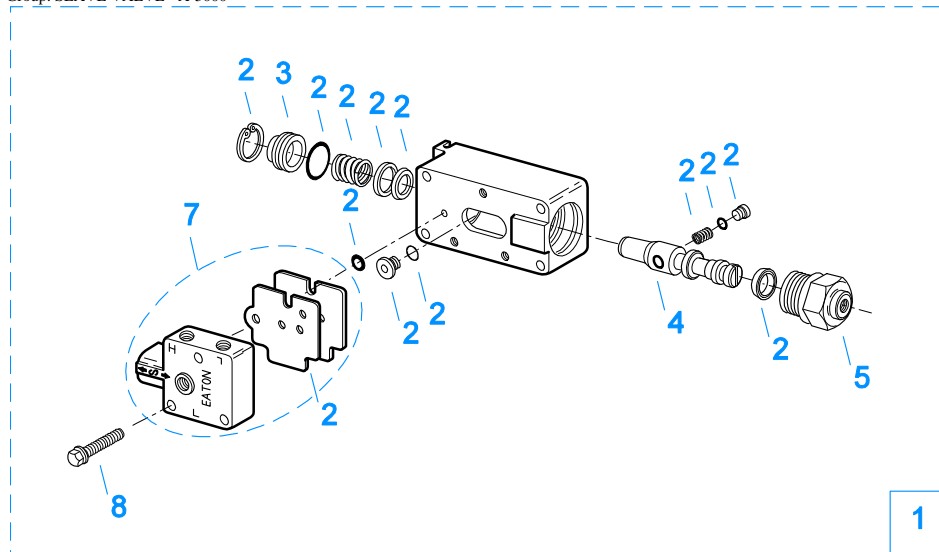


2 Repair Kit

10123-5/93 A-4688

SLAVE VALVE - A-4688

| Item | Current Part | Description | Replaced Part | Qty. | Notes | Kits/Assys Where Needed |
|------|--------------|------------------------|------------------------|------|------------------|-------------------------|
| 1 | A-4688 | SLAVE VALVE ASSY | 15125 ,19464 ,A - 3991 | 1 | | |
| 2 | K-1699 | REPAIR KIT-SLAVE VALVE | | 1 | FOR A-4688 VALVE | |
| 3 | 19463 | PISTON | 15126 | 1 | | A-4688 |
| 4 | 20849 | CAP | 15131 | 1 | | A-4688,A-5000 |
| 5 | K-1613 | CAP REPLACEMENT KIT | 16429 ,18707 | 1 | FOR A-4688 VALVE | |
| 6 | X-8S-401 | CAPSCREW | | 2 | 1/4"-20X1-1/8" | |



2 Repair Kit

10120-10-97 A-5000 SV

SLAVE VALVE - A-5000

| Item | Current Part | Description | Replaced Part | Qty. | Notes | Kits/Assys Where Needed |
|------|--------------|------------------------|---------------|------|------------------|-------------------------|
| 1 | A-5000 | SLAVE VALVE ASSY | 20850 | 1 | | K-1963,K-2424 |
| 2 | K-1935 | REPAIR KIT-SLAVE VALVE | | 1 | FOR A-5000 VALVE | |
| 3 | 20855 | PLUG | | 1 | | A-5000 |
| 4 | 20854 | PISTON | | 1 | | A-5000 |
| 5 | 20849 | CAP | 15131 | 1 | | A-4688,A-5000 |
| 7 | S-1516 | CAP ASSY | 20851 ,20853 | 1 | | |
| 8 | X-8C-413 | CAPSCREW | | 3 | 1/4"-20X1-1/2" | |

