



**Roadranger®**

More time on the road®

# Illustrated Parts List

---

**RTXF-16709B**  
**July 2011**

## Contents

|   |    |
|---|----|
| How To Use The Illustrated Parts List ..... | 3  |
| AUXILIARY DRIVE GEAR.....                   | 4  |
| CASE (AUX) .....                            | 5  |
| CASE (FRONT) .....                          | 7  |
| COUNTERSHAFT & BRGS(AUX).....               | 9  |
| COUNTERSHAFT ASSY .....                     | 10 |
| FILTER REGULATOR.....                       | 11 |
| H & C W/19470 VALVE .....                   | 12 |
| H & C W/A-5000 VALVE.....                   | 13 |
| INPUT SHAFT & DRIVE GEAR .....              | 14 |
| INTEGRAL OIL PUMP .....                     | 15 |
| ISOLATORS .....                             | 17 |
| KITS & ASSEMBLIES .....                     | 18 |
| LEVERS/HOUSINGS .....                       | 20 |
| MAINSHAFT & SYNCHRO(AUX).....               | 22 |
| MAINSHAFT ASSY .....                        | 23 |
| MISCELLANEOUS .....                         | 25 |
| NON-SELECTIVE M/S ASSY .....                | 26 |
| OIL COOLER.....                             | 27 |
| RANGE CYLINDER.....                         | 28 |
| REVERSE IDLER.....                          | 29 |
| ROADRANGER VALVE .....                      | 32 |
| SHIFT BAR HOUSING .....                     | 33 |
| SLAVE VALVE - 19470.....                    | 35 |
| SLAVE VALVE - A-5000.....                   | 36 |

## How To Use The Illustrated Parts List

The information contained in this document is subject to frequent updates. Therefore, for the latest information available, please visit the interactive Electronic Parts Catalog at [www.roadranger.com/epc](http://www.roadranger.com/epc).

### Model Designation or Nomenclature

- For information regarding Model Designation and Nomenclature, visit [www.roadranger.com](http://www.roadranger.com).

### Kits and Assemblies (K/A's)

- Kits and Assemblies contain groups of individual or assembled parts developed for optimal replacement or repair of a service problem.
- Kits and Assemblies are shown with applicable parts groupings in the parts listings.

### Identifying Kits and Assemblies

A- Part numbers beginning with the letter 'A' are pre-assembled Production Assemblies

K- Part numbers beginning with the letter 'K' are kits that are not assembled

S- Part numbers beginning with the letter 'S' are pre-assembled Service Assemblies

- Note: Some Production Assemblies do not begin with a letter prefix (Midrange only).

### Illustrations

- Illustrations show parts in assembly groups.
- Item numbers on illustrations correspond with parts listings on pages adjacent to the illustration.
- Notes are included on illustrations where additional information is needed.

### Parts Listing

Parts listings are defined by parts groupings and are broken down by service assemblies. Parts listings identify a part for servicing with the following categories

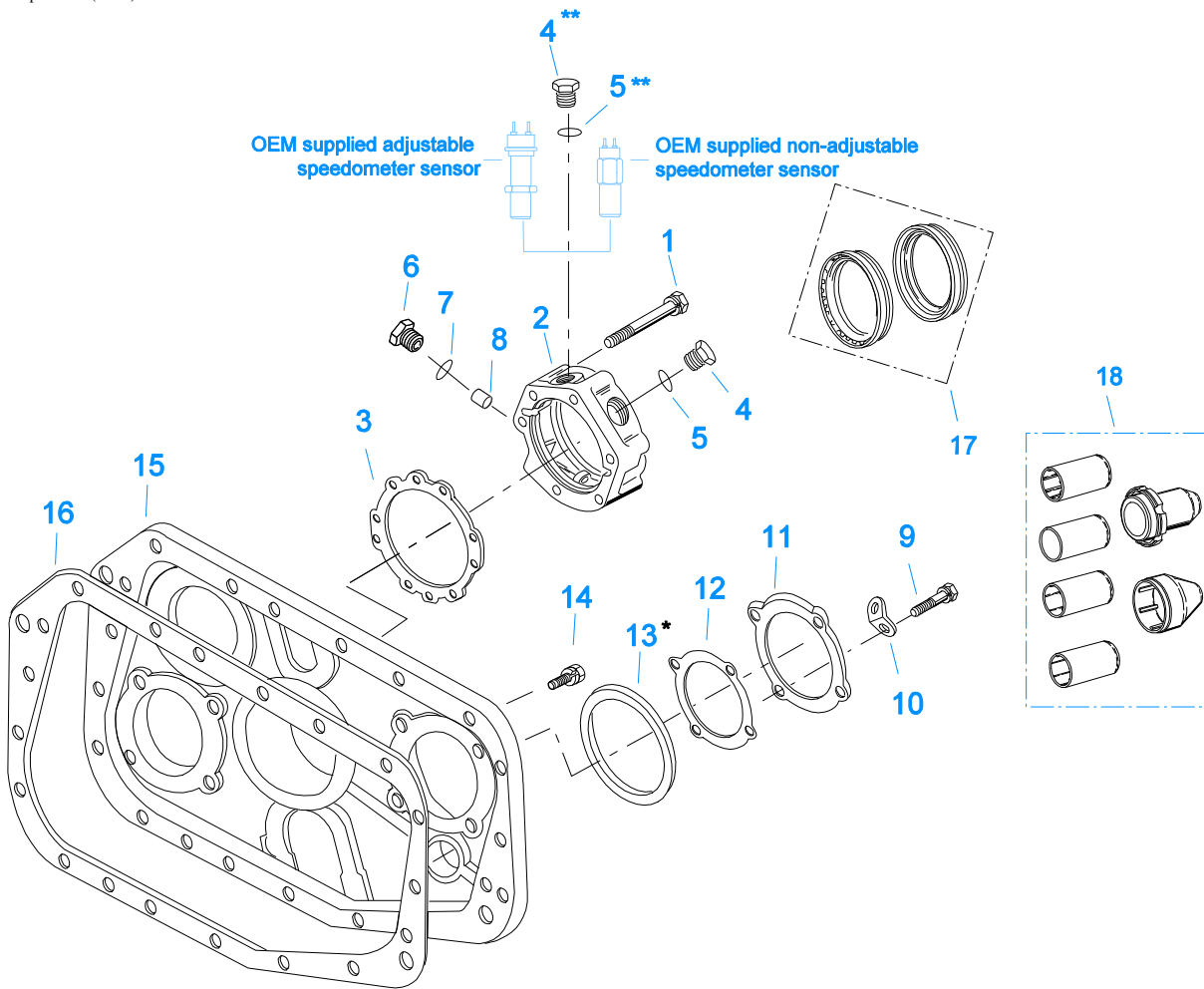
- **Item Number** - corresponding with numbers on illustrations for part identification.
- **Current Part** - identifies part as it is available for service.
- **Description** - specifies part name or description.
- **Replaced Part** - quantity quantity required for assembly.
- **Quantity** - defines unique characteristics or requirements.
- **Notes** - indicates Kits or Assemblies that contain a particular part.
- **Kits/Assy's Where Used**



10480-12/92 Aux DG

## AUXILIARY DRIVE GEAR

| Item | Current Part | Description          | Replaced Part   | Qty. | Notes      | Kits/Assys Where Needed            |
|------|--------------|----------------------|-----------------|------|------------|------------------------------------|
| 1    | 16763        | SNAP RING            |                 | 2    |            | K-1999,K-2275,K-2410,K-3157,K-3166 |
| 2    | 21320        | SNAP RING RETAINER   |                 | 1    |            | K-2410                             |
| 3    | 16628        | SNAP RING            |                 | 1    |            | K-2410                             |
| 4    | 5566507-BOX  | BEARING              | 5566504,5566507 | 1    |            | K-1999,K-2275                      |
| 5    | 16138        | BEARING RETAINER     |                 | 1    |            |                                    |
| 6    | X-8-645      | CAPSCREW             | X 8 612         | 6    | 3/8"-16X1" |                                    |
| 7    | 23159        | AUXILIARY DRIVE GEAR | 21321           | 1    |            |                                    |



**\*\* Note — Items 4 & 5 / Magnetic Speedometer Openings:**

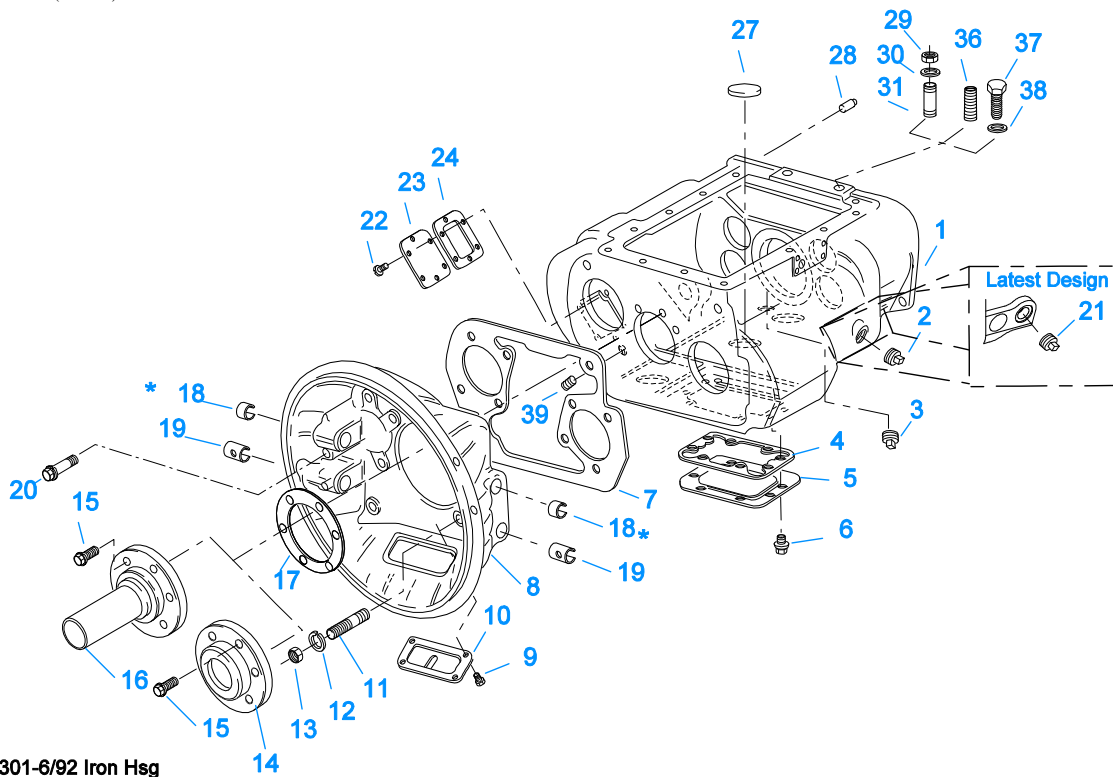
Use 13679 "O" ring w/ OEM supplied adjustable speedometer sensor and 20225 "O" ring w/ OEM supplied non-adjustable speedometer sensor or Eaton part #20224 Plug

\* See Service Manual for Proper Shimming Procedure  
10400-1/92 Aux Case

### CASE (AUX)

| Item | Current Part | Description         | Replaced Part  | Qty. | Notes  | Kits/Assys Where Needed |
|------|--------------|---------------------|----------------|------|--|-------------------------|
| 1    | X-8L-631     | CAPSCREW            | X 8 631        | 6    | 3/8"-16X3-1/2"   |                         |
| 2    | S-2159       | REAR BRG COVER ASSY | S - 1760       | 1    |  |                         |
| 3    | 21364        | GASKET              |                | 1    |  | K-2061,K-2262,S-2159    |
| 4    | 20224        | PLUG-MAGNETIC       |                | 2    |  | S-1901,S-2159           |
| 5    | 13679        | -O- RING            |                | 1    | USE W/ OEM SUPPLIED ADJUSTABLE SPEEDOMETER SENSOR                  |                         |
| 5    | 20225        | -O- RING            |                | 2    | USE W/20224 PLUG OR OEM SUPPLIED NON-ADJUSTABLE SPEEDOMETER SENSOR |                         |
| 6    | 20226        | PLUG-MECHANICAL     | 2237           | 1    |  | S-1901,S-2159           |
| 7    | 14142        | -O- RING            |                | 1    | USE W/20226 PLUG   | S-1901,S-2159           |
| 8    | 7992         | BUSHING             |                | 1    |  | S-2159                  |
| 9    | X-8L-600     | CAPSCREW            |                | 8    | 3/8"-16X1"   |                         |
| 10   | 20815        | LIFTING EYE         | 17105          | 2    |  | S-1901                  |
| 11   | 4302320      | COVER               | 21346          | 2    |  | S-1901                  |
| 12   | 4305978      | GASKET              | 4302246        | 2    |  | K-2061,S-1901           |
| 13   | K-2805       | SHIM KIT            | 21452 K - 2106 | 1    |  | K-1999,K-2275,S-1901    |
| 14   | X-8L-602     | CAPSCREW            |                | 16   | 3/8"-16X1-1/2"   |                         |
| 14   | X-8L-614     | CAPSCREW            |                | 2    | 3/8"-16X2"   |                         |
| 14   | X-8L-616     | CAPSCREW            | X 8 616        | 1    | 3/8"-16X2-3/4"   |                         |

| Item | Current Part | Description        | Replaced Part     | Qty. | Notes                  | Kits/Assys Where Needed |
|------|--------------|--------------------|-------------------|------|------------------------|-------------------------|
| 15   | 22900        | REAR HOUSING       |                   | 1    |                        |                         |
| 16   | 14335        | GASKET             |                   | 1    |                        | K-2061,S-1901           |
| 17   | K-2262       | OIL SEAL W/SLINGER | 19109 20807 20808 | 1    | "FOR MECHANICAL COVER" | K-1999,K-2275           |
| 18   | K-3651       | OIL SEAL TOOL KIT  |                   | 1    |                        |                         |



10301-6/92 Iron Hsg

\* Bushing quantity requirements: #1 Housing – Upper bore use 4 #12815 / Lower bore use 2 #8677.

#2 Housing – Upper bore use 2 #12815 and 1 #8677 / Lower bore use 2 #8677.

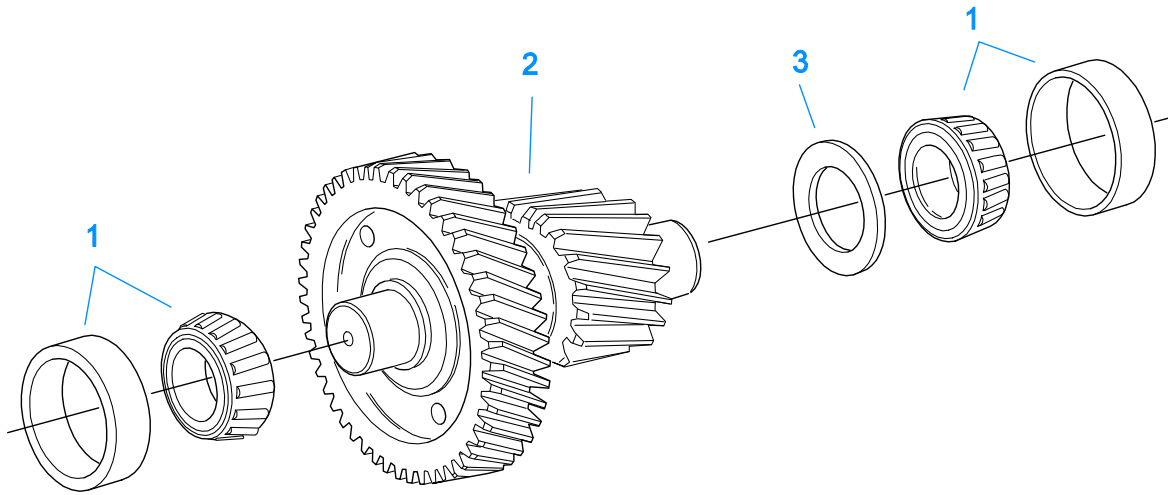
Note: Some part requirements are specific to #1 or #2 Clutch Housings and Push or Pull type Clutch.

### CASE (FRONT)

| Item | Current Part | Description                | Replaced Part                | Qty. | Notes                                    | Kits/Assys Where Needed |
|------|--------------|----------------------------|------------------------------|------|--|-------------------------|
| 1    | S-1545       | CASE ASSY                  | 21528                        | 1    | FOR USE W/INTEGRAL PUMP                  |                         |
| 2    | X-12-2007    | PIPE PLUG                  | X12 2006                     | 1    |  |                         |
| 3    | X-12-1207    | PIPE PLUG                  | X12 1202 ,X12 1206           | 1    | 3/4" MAGNETIC                            |                         |
| 4    | 4305310      | GASKET                     | 4302810                      | 1    |  | K-2061                  |
| 5    | 4302809      | PTO COVER                  | 16596 ,4300571               | 1    |  |                         |
| 6    | X-8-725      | CAPSCREW                   | X 8 724                      | 8    | 7/16"-14X7/8"                            |                         |
| 7    | 4306584      | CLUTCH HOUSING GASKET      | 4304815,4305668              | 1    |  | K-2061                  |
| 8    | A-3713       | CLUTCH HOUSING ASSY        | A - 3700                     | 1    | #1 PUSH-PULL IRON                        |                         |
| 8    | A-3723       | CLUTCH HOUSING ASSY        | A - 3721 ,A - 3722           | 1    | #2 PUSH-PULL IRON                        |                         |
| 9    | 239614       | SCREW                      | X-8L-509                     | 4    | 5/16-18X.81 QUANTITY DEPENDENT ON DESIGN |                         |
| 10   | 14506        | HAND HOLE COVER            |                              | 1    | #2 PUSH                                  |                         |
| 10   | 14507        | HAND HOLE COVER            |                              | 1    | #2 PULL                                  |                         |
| 10   | 4305230      | HAND HOLE COVER            | 11453                        | 1    | #1 PULL                                  |                         |
| 10   | 4305231      | HAND HOLE COVER            | 1565                         | 1    | #1 PUSH                                  |                         |
| 11   | 4306583      | STUD                       | 5966                         | 6    |  |                         |
| 12   | X-10-1005    | WASHER                     | X 3 1000 ,X10 1000 ,X10 1004 | 6    | 1.23 X 6.60                              |                         |
| 13   | X-1-1012     | HEX NUT                    |                              | 6    | .625-18                                  |                         |
| 14   | 20550        | FRONT BRG COVER            |                              | 1    | 2" PULL                                  | K-2468,K-4125           |
| 15   | X-8L-604     | CAPSCREW                   |                              | 6    | 3/8"-16X1-1/4"                           |                         |
| 16   | 20549        | FRONT BRG COVER            |                              | 1    | 2" PUSH                                  |                         |
| 17   | 14311        | GASKET                     |                              | 1    |  | K-2061                  |
| 18   | 12815        | BUSHING                    |                              | 4    | FOR #1 HOUSING UPPER                     | A-3713,A-3723,K-2468    |
| 18   | 12815        | BUSHING                    |                              | 2    | FOR #2 HOUSING UPPER                     | A-3713,A-3723,K-2468    |
| 18   | 8677         | BUSHING                    |                              | 1    | FOR #2 HOUSING UPPER                     | A-3713,A-3723           |
| 19   | 8677         | BUSHING                    |                              | 1    | FOR #1 AND #2 HOUSING LOWER              | A-3713,A-3723           |
| 20   | X-8C-830     | HEX HEAD SCREW/WASHER ASSY | X-8C-826                     | 2    | .500-13 X 1.490, FOR IRON HOUSING        |                         |
| 20   | X-8C-831     | HEX HEAD SCREW/WASHER ASSY | X-8C-822                     | 2    | .500-13 X 3.460, FOR IRON HOUSING        |                         |

| Item | Current Part | Description | Replaced Part                   | Qty. | Notes                             | Kits/Assys Where Needed |
|------|--------------|-------------|---------------------------------|------|-----------------------------------|-------------------------|
| 21   | 4304023      | PLUG        | 4303747                         | 1    | 1-1/16" MAGNETIC, O-RING INCLUDED | S-1545,S-1826           |
| 22   | X-8-686      | CAPSCREW    |                                 | 6    | 3/8"-16X3/4"                      |                         |
| 23   | 14575        | PTO COVER   | 4302254                         | 1    |                                   |                         |
| 24   | 4305309      | GASKET      | 1684                            | 1    |                                   | K-2061                  |
| 27   | 14373        | MAGNET      |                                 | 3    |                                   | S-1545,S-1826           |
| 28   | 18128        | PIN         |                                 | 2    |                                   |                         |
| 29   | X-1-1012     | HEX NUT     |                                 | 2    | .625-18                           |                         |
| 30   | X-10-1005    | WASHER      | X 3 1000 ,X10 1000<br>,X10 1004 | 2    | 1.23 X 6.60                       |                         |
| 31   | 14554        | STUD        | 1632 ,6579                      | 2    | 5/8" X 2-3/16"                    |                         |
| 36   | 23104        | PLUG        | 1712                            | 2    |                                   |                         |
| 37   | X-8-1005     | CAPSCREW    |                                 | 2    | 5/8"-11X1-1/4"                    |                         |
| 38   | 20814        | SPACER      |                                 | 2    |                                   |                         |
| 39   | X-12-802     | PIPE PLUG   | X12 800                         | 1    | 1/2"                              |                         |

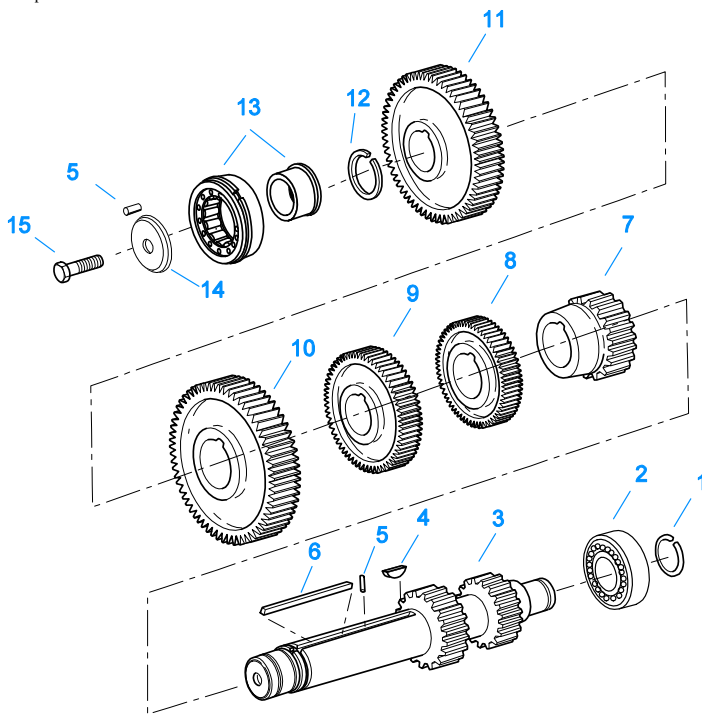




10440-1/92 Aux CS Helical

**COUNTERSHAFT & BRGS(AUX)**

| Item | Current Part | Description              | Replaced Part      | Qty. | Notes                   | Kits/Assys Where Needed |
|------|--------------|--------------------------|--------------------|------|-------------------------|-------------------------|
| 1    | 4302074-BOX  | BEARING                  | 21343,4302074      | 4    |                         | K-1999,K-2275           |
| 2    | A-5669       | WELDED COUNTERSHAFT ASSY | A - 5667 ,A - 5668 | 2    | C/S 4300037 - D/G 23160 |                         |
| 3    | 22903        | SPACER                   |                    | 2    |                         | K-2410                  |



10341-1/92 CS/RT

## COUNTERSHAFT ASSY

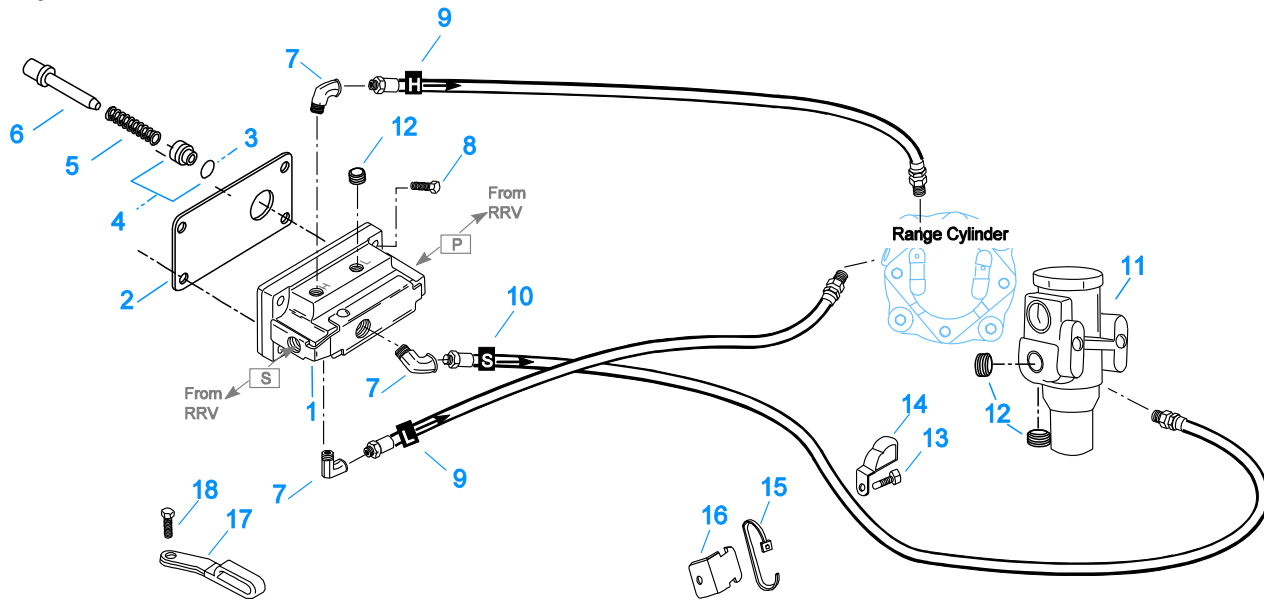
| Item | Current Part | Description              | Replaced Part   | Qty. | Notes                       | Kits/Assys Where Needed |
|------|--------------|--------------------------|-----------------|------|-----------------------------|-------------------------|
| 1    | 14317        | SNAP RING                |                 | 2    |                             | K-1999,K-2275,K-2410    |
| 2    | 14366        | BEARING                  |                 | 2    |                             | K-1999,K-2275           |
| 3    | K-2937       | COUNTERSHAFT-W/REV & LOW | 4300244         | 2    |                             |                         |
| 4    | X-6-E        | KEY                      |                 | 2    |                             |                         |
| 5    | 62511        | ROLL PIN                 |                 | 4    |                             |                         |
| 6    | 4304840      | KEY                      | 19673           | 2    |                             |                         |
| 7    | 4300241      | 1ST GEAR-CNTRSHFT        |                 | 2    |                             |                         |
| 8    | 4300247      | 2ND GEAR-CNTRSHFT        |                 | 2    |                             |                         |
| 9    | 4300191      | OD GEAR-CNTRSHFT         | 4305071         | 2    |                             |                         |
| 10   | 15953        | PTO GEAR - LOWER         |                 | 1    |                             |                         |
| 10   | 20840        | PTO GEAR - UPPER         |                 | 1    |                             |                         |
| 11   | 4305665      | DRIVE GEAR-CNTRSHFT      | 21018,4305069   | 2    |                             |                         |
| 12   | 19198        | SNAP RING                |                 | 2    |                             |                         |
| 13   | 4304599      | BEARING                  | 4302677 4304598 | 2    |                             | K-1999,K-2275           |
| 14   | 4304605      | RETAINER                 | 19548           | 2    | ROLL PIN NO LONGER REQUIRED |                         |
| 15   | X-7-1005     | CAPSCREW                 |                 | 2    | 5/8"-18X1-3/4"              |                         |

Group: FILTER REGULATOR



## FILTER REGULATOR

| Item | Current Part | Description          | Replaced Part | Qty. | Notes                | Kits/Assys Where Needed |
|------|--------------|----------------------|---------------|------|----------------------|-------------------------|
| 1    | A-4740       | FILTER/REGULATOR     | 19600         | 1    |                      |                         |
| 2    | K-1698       | -O- RING/ELEMENT KIT |               | 1    | FOR FILTER REGULATOR |                         |
| 3    | X-8C-412     | CAPSCREW             | X 8S 412      | 2    | 1/4"-20X2-1/4"       |                         |

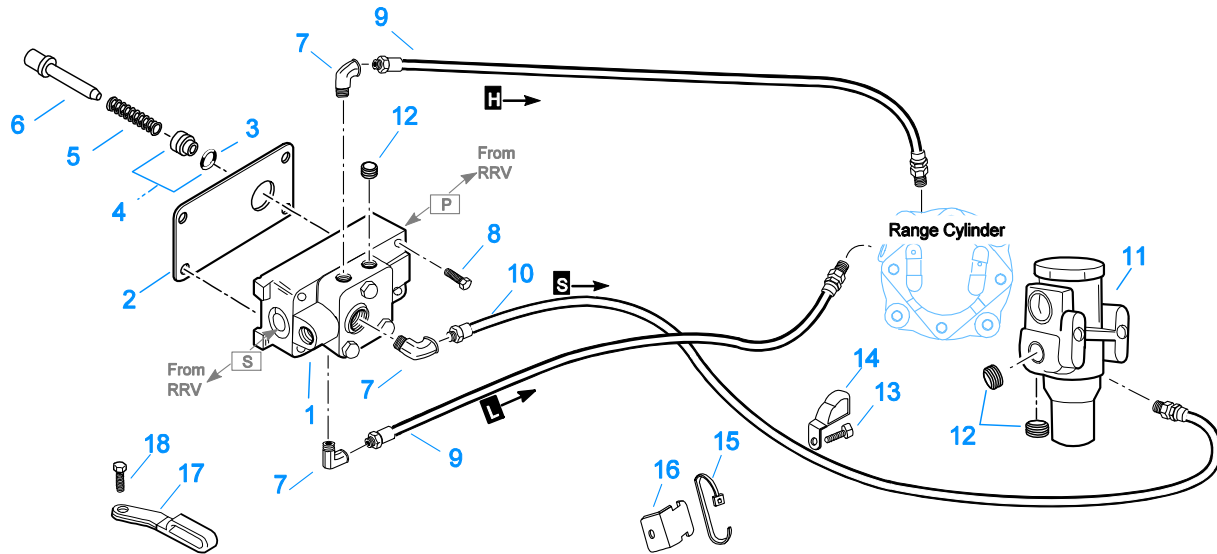


10111-1/92 19470 HC

### H & C W/19470 VALVE

| Item | Current Part | Description           | Replaced Part       | Qty. | Notes            | Kits/Assys Where Needed |
|------|--------------|-----------------------|---------------------|------|------------------|-------------------------|
| 1    | K-2424       | VALVE REPLACEMENT KIT | 19470               | 1    |                  |                         |
| 2    | 19481        | GASKET                |                     | 1    |                  | K-2061,K-2424           |
| 3    | 19462        | -O- RING              | 14033               | 1    |                  | K-1969                  |
| 4    | K-1969       | SLEEVE KIT            | 14362 ,19460 ,21446 | 1    | FOR SLAVE VALVES |                         |
| 5    | 21268        | SPRING                | 19572               | 1    |                  |                         |
| 6    | 20490        | PIN                   | 19459               | 1    |                  |                         |
| 7    | 12845        | ELBOW                 |                     | 3    | 1/8"             |                         |
| 8    | X-8C-401     | CAPSCREW              |                     | 4    | 1/4"-20X1-1/8"   |                         |
| 9    | 55508        | HOSE ASSY             |                     | 2    | 30"              |                         |
| 10   | 55518        | HOSE ASSY             |                     | 1    | 32"              |                         |
| 11   | A-4740       | FILTER/REGULATOR      | 19600               | 1    |                  |                         |
| 12   | X-12-208     | PIPE PLUG             |                     | 3    | 1/8" NPT         |                         |
| 13   | X-8L-600     | CAPSCREW              |                     | 1    | 3/8"-16X1"       |                         |
| 14   | 21427        | HOSE CLAMP            |                     | 1    |                  |                         |
| 15   | 21425        | STRAP                 |                     | 1    |                  |                         |
| 16   | 21426        | BRACKET               |                     | 1    |                  |                         |
| 17   | 21428        | HOSE CLAMP            |                     | 1    |                  |                         |
| 18   | X-8L-604     | CAPSCREW              |                     | 1    | 3/8"-16X1-1/4"   |                         |

Group: H & C W/A-5000 VALVE



10110-1/92 A-5000 HC

### H & C W/A-5000 VALVE

| Item | Current Part | Description      | Replaced Part       | Qty. | Notes            | Kits/Assys Where Needed |
|------|--------------|------------------|---------------------|------|------------------|-------------------------|
| 1    | A-5000       | SLAVE VALVE ASSY | 20850               | 1    |                  | K-2424                  |
| 2    | 19481        | GASKET           |                     | 1    |                  | K-2061,K-2424           |
| 3    | 19462        | -O- RING         | 14033               | 1    |                  | K-1969                  |
| 4    | K-1969       | SLEEVE KIT       | 14362 ,19460 ,21446 | 1    | FOR SLAVE VALVES |                         |
| 5    | 21268        | SPRING           | 19572               | 1    |                  |                         |
| 6    | 20490        | PIN              | 19459               | 1    |                  |                         |
| 7    | 12845        | ELBOW            |                     | 3    | 1/8"             |                         |
| 8    | X-8C-411     | CAPSCREW         |                     | 4    | 1/4"-20X1-3/4"   |                         |
| 9    | 55508        | HOSE ASSY        |                     | 2    | 30"              |                         |
| 10   | 55518        | HOSE ASSY        |                     | 1    | 32"              |                         |
| 11   | A-4740       | FILTER/REGULATOR | 19600               | 1    |                  |                         |
| 12   | X-12-208     | PIPE PLUG        |                     | 3    | 1/8" NPT         |                         |
| 13   | X-8L-600     | CAPSCREW         |                     | 1    | 3/8"-16X1"       |                         |
| 14   | 21427        | HOSE CLAMP       |                     | 1    |                  |                         |
| 15   | 21425        | STRAP            |                     | 1    |                  |                         |
| 16   | 21426        | BRACKET          |                     | 1    |                  |                         |
| 17   | 21428        | HOSE CLAMP       |                     | 1    |                  |                         |
| 18   | X-8L-604     | CAPSCREW         |                     | 1    | 3/8"-16X1-1/4"   |                         |



\* For Shipping Only -- Do Not Replace

\*

10370-1/92 IS

### INPUT SHAFT & DRIVE GEAR

| Item | Current Part | Description     | Replaced Part               | Qty. | Notes                     | Kits/Assys Where Needed            |
|------|--------------|-----------------|-----------------------------|------|---------------------------|------------------------------------|
| 1    | 23559        | SHIPPING SEAL   |                             | 1    | NOT SOLD FOR SERVICE      |                                    |
| 2    | 16980        | SNAP RING       |                             | 1    |                           | K-1999,K-2275,K-2410,K-2468,K-4125 |
| 3    | 81504        | BEARING         |                             | 1    |                           | K-1999,K-2275,K-2468,K-4125        |
| 4    | 16463        | SPACER          |                             | 1    |                           |                                    |
| 5    | 14750        | SNAP RING       |                             | 1    |                           | K-1999,K-2275,K-2410,K-2468,K-4125 |
| 6    | 22961        | MAIN DRIVE GEAR | 4300238,<br>4305068,4305910 | 1    |                           |                                    |
| 8    | S-1659       | INPUT SHAFT     | 20535 23566 4302661         | 1    | 2" PULL - USE W/FBC 20550 | K-1999,K-2468,K-4125               |
| 8    | S-1660       | INPUT SHAFT     | 20536 ,23567                | 1    | 2" PUSH - USE W/FBC 20549 |                                    |
| 9    | 16566        | BUSHING         |                             | 1    |                           | K-2275,S-1659,S-1660               |

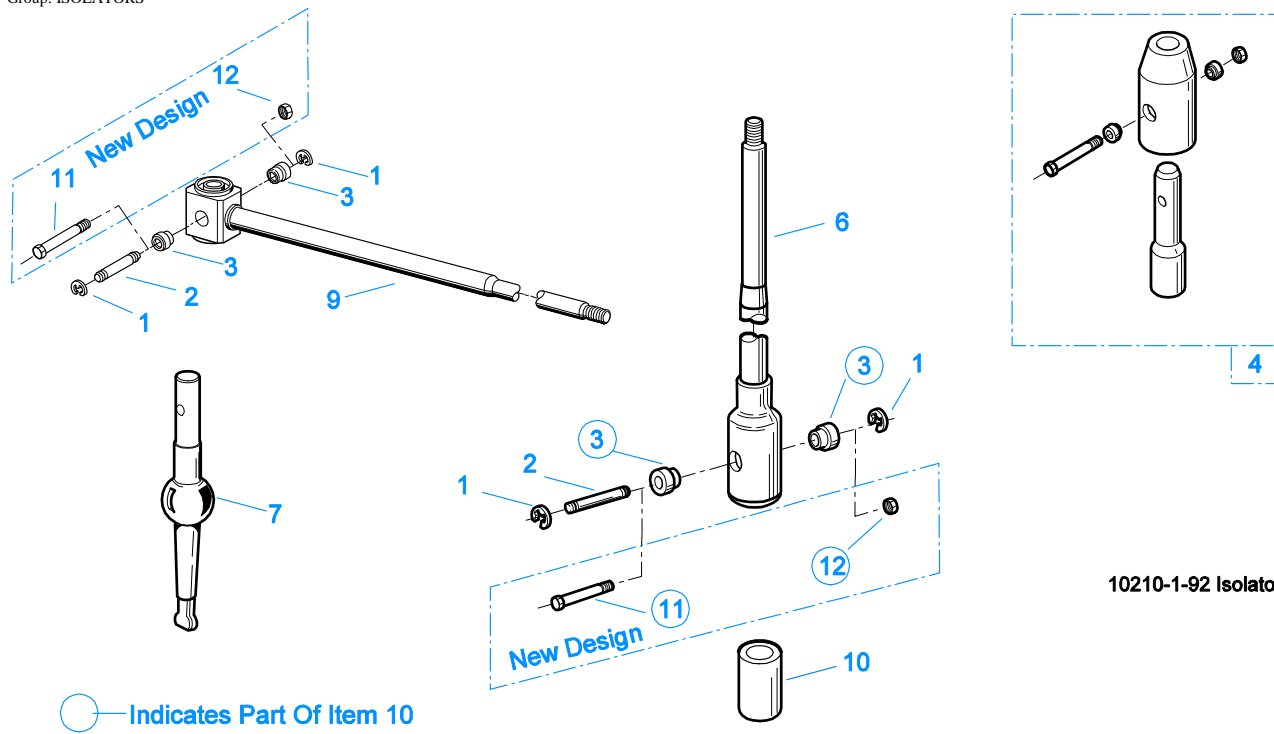


## INTEGRAL OIL PUMP

| Item | Current Part | Description           | Replaced Part  | Qty. | Notes                                 | Kits/Assys Where Needed |
|------|--------------|-----------------------|--|------|---------------------------------------|-------------------------|
| 1    | X-8C-409     | CAPSCREW              |  | 5    | 1/4"-20X5/8" - USE WITH 4300751 COVER |                         |
| 1    | X-8C-430     | CAPSCREW              |  | 5    | 1/4"-20X7/8" - USE WITH 20513 COVER   |                         |
| 2    | K-2402       | COVER & SCREW KIT     | 20513 ,4300751   | 1    |                                       | K-2061,K-2402           |
| 3    | 20514        | GASKET                |  | 1    |                                       |                         |
| 4    | 20823        | PLUG                  |  | 1    |                                       |                         |
| 5    | 14765        | -O- RING              |  | 1    |                                       | K-1431,K-1450           |
| 6    | X-8-448      | SCREW                 | X 8 445  | 3    | 1/4"-20X1-1/4"                        |                         |
| 7    | 20824        | WASHER                |  | 3    |                                       | K-3367                  |
| 8    | 20825        | DOWEL PIN             |  | 1    |                                       |                         |
| 9    | 4303107      | RETAINER              | 20510  | 1    |                                       | S-1545,S-1826           |
| 10   | K-3367       | OIL PUMP KIT          | 4301829 ,4301948 ,4303776 ,4304529 ,4304572 A - 6963 ,A - 7173 | 1    |                                       |                         |
| 11   | 20518        | CRESCENT RING         |  | 1    |                                       |                         |
| 12   | 62516        | ROLL PIN              | 62521  | 1    |                                       |                         |
| 13   | 62514        | ROLL PIN              |  | 1    |                                       |                         |
| 14   | K-3367       | OIL PUMP KIT          | 4301829 ,4301948 ,4303776 ,4304529 ,4304572 A - 6963 ,A - 7173 | 1    |                                       |                         |
| 15   | X-14-700     | STEEL BALL            |  | 1    | 7/16"                                 |                         |
| 17   | 20225        | -O- RING              |  | 1    |                                       |                         |
| 18   | 4305713      | SUCTION TUBE          | 4304628  | 1    | O-RING INCLUDED ON SUCTION TUBE       | K-3367                  |
| 19   | 20508        | DRIVE SHAFT           |  | 1    |                                       |                         |
| 20   | 20509        | KEY                   |  | 2    |                                       |                         |
| 21   | 14853        | SNAP RING             |  | 2    |                                       |                         |
| 22   | 20511        | DRIVE GEAR            |  | 1    |                                       |                         |
| 23   | 4306584      | CLUTCH HOUSING GASKET | 4304815,4305668  | 1    |                                       | K-2061                  |
| 24   | S-1545       | CASE ASSY             | 21528  | 1    | FOR USE W/INTEGRAL PUMP               |                         |
| 24   | S-1826       | CASE ASSY             | 23650  | 1    | FOR USE W/INTEGRAL PUMP               |                         |
| 25   | 14373        | MAGNET ELEMENT        |  | 3    |                                       | S-1545,S-1826           |
| 26   | 20507        | ELEMENT               |  | 1    |                                       |                         |
| 27   | K-3367       | OIL PUMP KIT          | 4301829 ,4301948 ,4303776 ,4304529                             | 1    |                                       |                         |

| Item | Current Part | Description  | Replaced Part   | Qty. | Notes | Kits/Assys Where Needed |
|------|--------------|--------------|---|------|-------|-------------------------|
| 999  | K-3367       | OIL PUMP KIT | ,4304572 A - 6963 ,A - 7173<br>4301829 ,4301948<br>,4303776 ,4304529<br>,4304572 A - 6963 ,A - 7173 | 1    |       |                         |





10210-1-92 Isolator

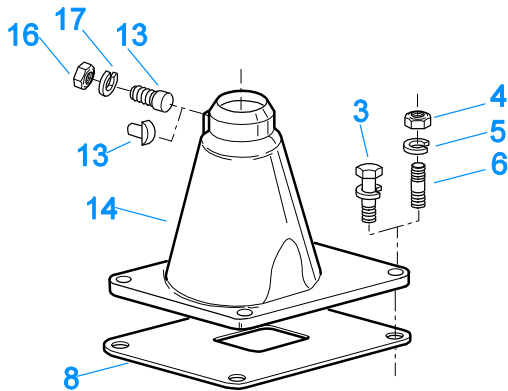
## ISOLATORS

| Item | Current Part | Description          | Replaced Part | Qty. | Notes           | Kits/Assys Where Needed                                 |
|------|--------------|----------------------|---------------|------|-----------------|---|
| 1    | 19124        | -E- RING             |               | 2    |                 |   |
| 2    | K-3467       | PIN REPLACEMENT KIT  | 21245         | 1    |                 |   |
| 3    | 21246        | BUSHING              |               | 2    |                 | K-2003,K-2428,K-2429,K-2978,K-3399,S-2129,S-2130,S-2519 |
| 4    | S-1794       | ISOLATOR ASSY        |               | 1    |                 |   |
| 6    | 21247        | LEVER                |               | 1    | STRAIGHT 18.67" |   |
| 7    | 21235        | STUB LEVER           |               | 1    | LOW TOWER       | K-2428,S-1677   |
| 7    | 21236        | STUB LEVER           |               | 1    | HIGH TOWER      | K-2429,S-1579,S-2130                                    |
| 7    | 4301168      | STUB LEVER           |               | 1    | MID TOWER       | K-2978  |
| 9    | 21767        | 90 DEG LEVER         |               | 1    | STRAIGHT 33"    |   |
| 10   | K-3399       | ISOLATOR BUSHING KIT | 21244 ,23311  | 1    |                 |   |
| 11   | X-8-560      | SCREW                |               | 1    |                 |   |
| 12   | X-9-503      | NUT                  |               | 1    |                 |   |

## KITS & ASSEMBLIES

| Item   | Current Part | Description                                     | Replaced Part  | Qty. | Notes  | Kits/Assys Where Needed |
|--------|--------------|---|--|------|--|-------------------------|
| K-1431 |              | RANGE CYL-KIT                                   |  | 1    |  |                         |
| K-1450 |              | -O- RING KIT-RANGE                              |  | 1    |  | K-1999,K-2275           |
| K-1698 |              | -O- RING/ELEMENT KIT                            |  | 1    | FOR FILTER REGULATOR   |                         |
| K-1921 |              | MASTER VALVE REPAIR KIT                         |  | 1    | FOR A-6909 & A-5010 VALVES   |                         |
| K-1935 |              | REPAIR KIT-SLAVE VALVE                          |  | 1    | FOR A-5000 VALVE   |                         |
| K-1956 |              | COOLER INSTLN KIT                               |  | 1    |  |                         |
| K-1969 |              | SLEEVE KIT                                      | 14362 ,19460 ,21446  | 1    | FOR SLAVE VALVES   |                         |
| K-1999 |              | OVERHAUL KIT                                    |  | 1    |  |                         |
| K-2003 |              | PIN & BUSHING KIT                               |  | 1    |  |                         |
| K-2061 |              | GASKET KIT                                      |  | 1    |  | K-1999,K-2275           |
| K-2262 |              | OIL SEAL W/SLINGER                              | 19109 20807 20808  | 1    | "FOR MECHANICAL COVER"   | K-1999,K-2275           |
| K-2275 |              | REBUILD KIT                                     |  | 1    |  |                         |
| K-2366 |              | KEY & WASHER KIT                                | 21326 ,4300763 ,4304614  | 1    | CONTAINS 3-SIDED KEY   |                         |
| K-2394 |              | AIR SYSTEMS TOOL KIT                            |  | 1    |  |                         |
| K-2410 |              | SMALL PARTS KIT                                 |  | 1    |  |                         |
| K-2468 |              | CLUTCH INSTALLATION KIT                         |  | 1    | FOR USE WITH S-1659 INPUT SHAFT ASSY AND 81504 INPUT SHAFT BEARING |                         |
| K-2805 |              | SHIM KIT  | 21452 K - 2106   | 1    |  | K-1999,K-2275,S-1901    |
| K-2937 |              | COUNTERSHAFT REPL KIT                           | 4300244  | 1    |  |                         |
| K-2958 |              | COUNTERSHAFT REPL KIT                           | 4300032 ,4300243   | 1    |  |                         |
| K-2977 |              | SHIFT LEVER HSG KIT                             | 4301167 ,4304907 ,A - 6040                                     | 1    | MID TOWER  |                         |
| K-2978 |              | LEVER REPLACEMENT KIT                           |  | 1    | MID TOWER  |                         |
| K-3157 |              | WASHER UPDATE KIT                               |  | 1    | RTX/F-16709B   |                         |
| K-3166 |              | WASHER UPDATE KIT                               |  | 1    | RTX/F-16709H   |                         |
| K-3209 |              | IDLER SHAFT REPL KIT                            | 16405 ,4302981 ,4305513  | 1    |  |                         |
| K-3367 |              | OIL PUMP KIT                                    | 4301829 ,4301948 ,4303776 ,4304529 ,4304572 A - 6963 ,A - 7173 | 1    |  |                         |
| K-3399 |              | ISOLATOR BUSHING KIT                            | 21244 ,23311   | 1    |  |                         |
| K-3467 |              | PIN REPLACEMENT KIT                             | 21245  | 1    |  |                         |
| K-3492 |              | SYNCHRONIZER KIT                                | K - 2446   | 1    |  |                         |
| K-3494 |              | SYNCHRONIZER REPLACEMENT KIT                    | K - 2448   | 1    | SLIDING CLUTCH INCLUDED IN KIT                                     |                         |
| K-4125 |              | CLUTCH INSTALLATION KIT (RT), HYDRAULIC RELEASE |  | 1    | STANDARD RT INPUT SHAFT AND YOKE FOR HYDRAULIC CLUTCH RELEASE      |                         |
| S-1219 |              | YOKE ASSY LOW-REV                               |  | 1    |  |                         |
| S-1404 |              | OIL FILTER                                      | 17238  | 1    |  |                         |
| S-1445 |              | SHIFT BAR HSG (X)                               | 18920 ,20135 ,20214 ,20215 ,20487 21135 ,4302452               | 1    | HOUSING ONLY (X)   |                         |
| S-1446 |              | SHIFT BAR HSG (XF)                              | 20217 ,21136   | 1    | (XF)   |                         |
| S-1516 |              | CAP ASSY  | 20851 ,20853   | 1    |  |                         |
| S-1527 |              | SHIFT BAR HSG ASSY (X)                          | 20215 ,21135 ,4302452  | 1    | COMPLETE (X)   |                         |
| S-1528 |              | SHIFT BAR HSG ASSY (XF)                         | 20217 ,21136   | 1    | COMPLETE (XF)  |                         |
| S-1545 |              | CASE ASSY                                       | 21528  | 1    | FOR USE W/INTEGRAL PUMP - RTX-16709B                               |                         |
| S-1659 |              | INPUT SHAFT                                     | 20535 23566 4302661  | 1    | 2" PULL - USE W/FBC 20550  | K-1999,K-2468,K-4125    |
| S-1660 |              | INPUT SHAFT                                     | 20536 ,23567   | 1    | 2" PUSH  |                         |
| S-1826 |              | CASE ASSY                                       | 23650  | 1    | FOR USE W/INTEGRAL PUMP - RTX-16709H                               |                         |
| S-1901 |              | RANGE SECTION ASSY                              |  | 1    |  |                         |
| S-2129 |              | SHIFT LEVER HSG ASSY                            |  | 1    | LOW TOWER  |                         |
| S-2130 |              | SHIFT LEVER HSG ASSY                            | S - 2053   | 1    | HIGH TOWER   |                         |
| S-2159 |              | REAR BRG COVER ASSY                             | S - 1760   | 1    |  |                         |
| S-2519 |              | SHIFT LEVER HSG ASSY                            | S - 2919   | 1    | MID TOWER  |                         |
| S-2540 |              | ROADRANGER VALVE                                | A - 5037   | 1    | RT - W/SHIFT DIAGRAM   |                         |

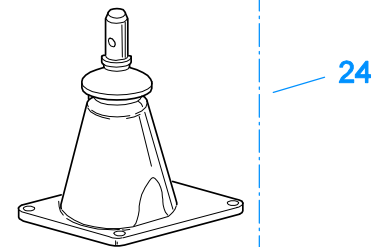
| Item | Current Part | Description    | Replaced Part   | Qty. | Notes     | Kits/Assys Where Needed |
|------|--------------|----------------|-----------------|------|-----------|-------------------------|
|      |              | ASSY           |                 |      | MEDALLION |                         |
|      | S-2688       | MAINSHAFT ASSY | 4303404 4303913 | 1    |           | K-3157,K-3166           |



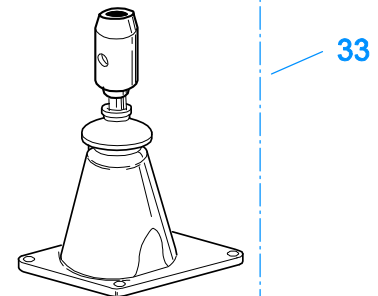
10207-9-95



K-2428 - Low  
K-2978 - Mid  
K-2429 - High



S-1677 - Low  
S-1967 - Mid  
S-1579 - High

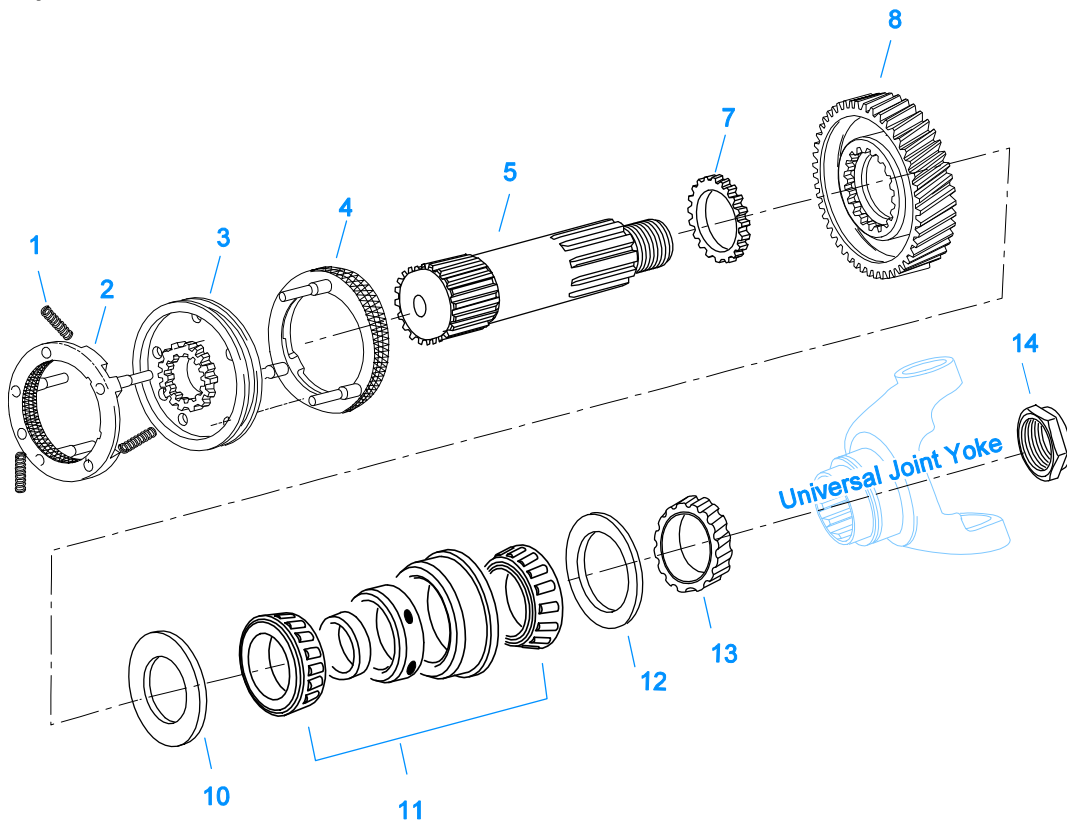


S-2129 - Low  
S-2519 - Mid  
S-2130 - High

## LEVERS/HOUSINGS

| Item | Current Part | Description         | Replaced Part                            | Qty. | Notes             | Kits/Assys Where Needed        |
|------|--------------|---------------------|--|------|-------------------|--------------------------------|
| 1    | K-3376       | O-RING & WASHER KIT | 4301211                                  | 1    |                   |                                |
| 2    | 18299        | PIN                 |  | 1    |                   | K-1476,K-2977,S-1677           |
| 3    | X-8C-604     | CAPSCREW            |  | 4    | 3/8"-16X1-1/4"    | S-1445,S-1446,S-1527,S-1528    |
| 4    | X-1-600      | NUT                 |  | 4    | 3/8"-24-N.F.PLAIN |                                |
| 5    | X-3-600      | LOCKWASHER          |  | 4    | 3/8"              |                                |
| 6    | 11934        | STUD                | 7467                                     | 4    |                   |                                |
| 7    | K-1476       | SHIFT LEVER HSG     | 4530 ,17163 ,18298<br>,4304905 ,A - 4437 | 1    | LOW TOWER         |                                |
| 8    | 4305294      | GASKET              | 4303431                                  | 1    |                   | K-1476,K-2061,K-2428,K-2429,K- |

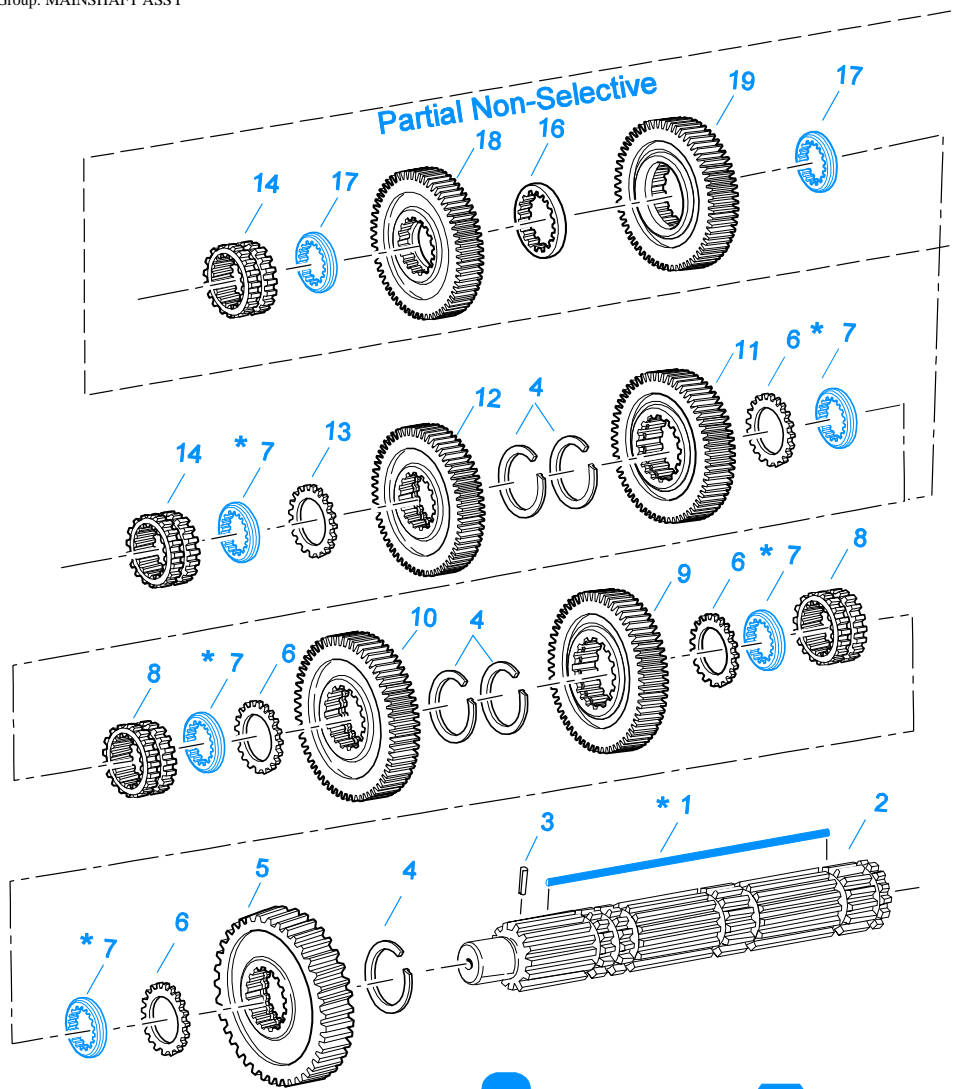
| Item | Current Part | Description           | Replaced Part                                     | Qty. | Notes                    | Kits/Assys Where Needed  |
|------|--------------|-----------------------|---|------|--------------------------|--|
|      |              |                       |   |      |                          | 2973,K-2977,K-2978,S-1527,S-1528,S-1579,S-1677,S-1967,S-2129,S-2130,S-2519 |
| 9    | K-2977       | SHIFT LEVER HSG KIT   | 4301167 ,4304907 ,A - 6040                        | 1    | MID TOWER                |  |
| 13   | 4303030      | PIN                   |   | 1    |                          | K-2973,S-1579,S-2130   |
| 13   | 6541         | PIN                   |   | 1    | 3/8" - USED W/17167 ONLY |  |
| 14   | K-2973       | SHIFT LEVER HSG KIT   | 17166 ,17167 ,4303050 ,4304910 ,K - 1630 K - 1941 | 1    | HIGH TOWER               |  |
| 15   | 10427        | BOOT                  |   | 1    |                          | K-1476,K-2973,K-2977,S-1579,S-1677,S-2130                                  |
| 16   | X-1-600      | NUT                   |   | 1    | 3/8"-24-N.F.PLAIN        |  |
| 17   | X-3-600      | LOCKWASHER            |   | 1    | 3/8"                     |  |
| 20   | 17600        | GEAR SHIFT LEVER      |   | 1    | STRAIGHT - LOW 21-1/2"   |  |
| 20   | 18482        | GEAR SHIFT LEVER      |   | 1    | STRAIGHT - HIGH 35"      |  |
| 21   | 2538         | RETAINER              |   | 1    |                          | K-1476,K-2973,K-2977,S-1579,S-1677,S-2130                                  |
| 22   | 2536         | SPRING                |   | 1    |                          | K-1476,K-2973,K-2977,S-1579,S-1677,S-2130                                  |
| 23   | K-2428       | LEVER REPLACEMENT KIT |   | 1    | LOW TOWER                |  |
| 23   | K-2429       | LEVER REPLACEMENT KIT |   | 1    | HIGH TOWER               |  |
| 23   | K-2978       | LEVER REPLACEMENT KIT |   | 1    | MID TOWER                |  |
| 24   | S-1579       | SHIFT TOWER ASSY      |   | 1    | HIGH TOWER               |  |
| 24   | S-1677       | SHIFT TOWER ASSY      |   | 1    | LOW TOWER                |  |
| 24   | S-1967       | SHIFT TOWER ASSY      |   | 1    | MID TOWER                |  |
| 33   | S-2129       | SHIFT LEVER HSG ASSY  |   | 1    | LOW TOWER                |  |
| 33   | S-2130       | SHIFT LEVER HSG ASSY  | S - 2053  | 1    | HIGH TOWER               |  |
| 33   | S-2519       | SHIFT LEVER HSG ASSY  | S - 2919  | 1    | MID TOWER                |  |



10421-12-93

### MAINSHAFT & SYNCHRO(AUX)

| Item | Current Part | Description           | Replaced Part            | Qty. | Notes    | Kits/Assys Where Needed            |
|------|--------------|-----------------------|--------------------------|------|----------|------------------------------------|
| 1    | 14897        | SPRING                |                          | 3    |          | K-1999,K-2275,K-2410,K-3492,K-3494 |
| 2    | A-7331       | SYNCHRONIZER ASSY     | 4304396 4304397 A - 5917 | 1    | HI RANGE | K-3492,K-3494                      |
| 3    | 20323        | SLIDING CLUTCH        |                          | 1    |          | K-3494                             |
| 4    | A-7254       | SYNCHRONIZER ASSEMBLY | A - 4937 A - 5876        | 1    | LO RANGE | K-3492,K-3494                      |
| 5    | 4300312      | AUXILIARY MAINSHAFT   | 22970                    | 1    |          |                                    |
| 7    | 22899        | WASHER                |                          | 1    |          | K-2410                             |
| 8    | 4300035      | GEAR-MAINSHAFT        | 4300034                  | 1    |          |                                    |
| 10   | 22898        | SPACER                |                          | 1    |          | K-2410                             |
| 11   | 21356-BOX    | BEARING               | 21356                    | 1    |          | K-1999,K-2275                      |
| 12   | 22969        | SPACER                |                          | 1    |          |                                    |
| 13   | 20191        | ROTOR                 |                          | 1    |          |                                    |
| 14   | 22254        | NUT                   | 11956                    | 1    |          | S-1901                             |



10320A-3-94 MS w/ OD

 3-Sided Key Design

 Hex (6-Sided) Key Design

**\* Updating to 3-Sided Key is Recommended.**  
**When Updating to 3-Sided Key Replace all Washers to Match Key Design**  
**Always Use Matching Key and Washer Sets (See Appendix - Mainshaft Washers)**

**MAINSHAFT ASSY**

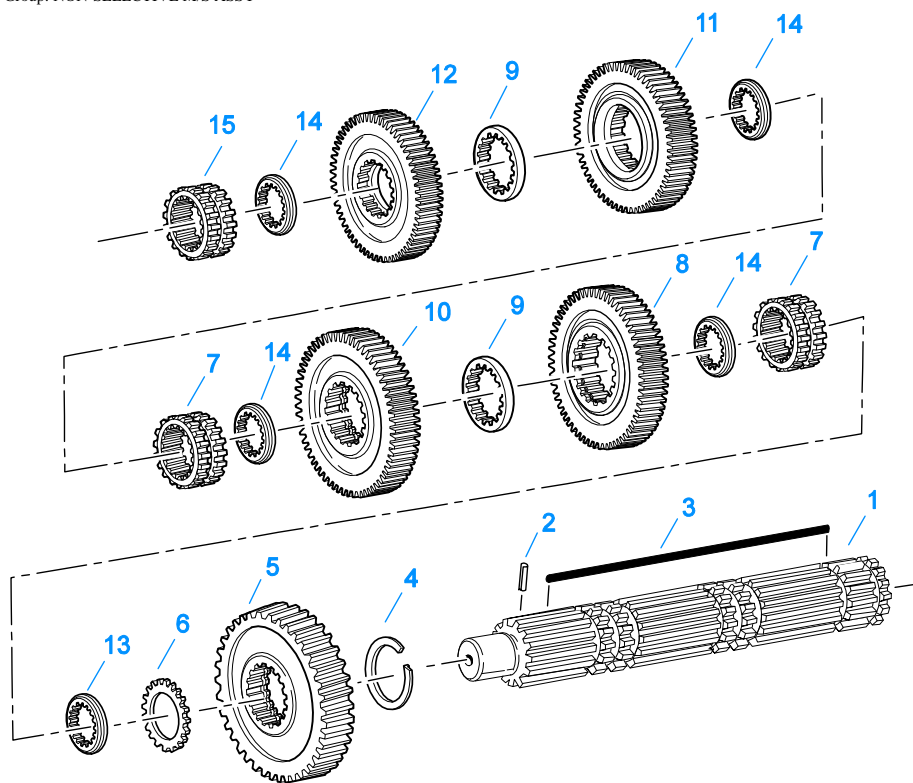
| Item | Current Part | Description            | Replaced Part           | Qty. | Notes   | Kits/Assys Where Needed            |
|------|--------------|------------------------|-------------------------|------|---|------------------------------------|
| 1    | 4304614      | 3-SIDED KEY            | 4300890                 | 1    |   | K-2366,K-2410,K-3157,K-3166        |
| 1    | K-2366       | KEY & WASHER KIT       | 21326 ,4300763 ,4304614 | 1    | CONTAINS 3-SIDED KEY                                      |                                    |
| 2    | S-2688       | MAINSHAFT ASSY         | 4303404 4303913         | 1    |   | K-3157,K-3166                      |
| 3    | 62504        | ROLL PIN               |                         | 1    |   | S-2688                             |
| 4    | 14750        | SNAP RING              |                         | 5    |   | K-1999,K-2275,K-2410,K-2468,K-4125 |
| 5    | 16756        | REVERSE GEAR-MAINSHAFT | 22408                   | 1    |   |                                    |
| 6    | 14749        | SPACER                 |                         | 4    |   | K-2410                             |
| 7    | 14711        | WASHER .248-.250 WHITE | 18701                   | 5    | OPTIONAL 14711-14716 USE ANY 5 WASHERS USE WITH 21326 KEY |                                    |

| Item | Current Part | Description             | Replaced Part  | Qty. | Notes   | Kits/Assys Where Needed |
|------|--------------|-------------------------|----------------|------|---|-------------------------|
| 7    | 14712        | WASHER .253-.255 GREEN  | 18702          | 5    | OPTIONAL 14711-14716 USE ANY 5 WASHERS USE WITH 21326 KEY                   |                         |
| 7    | 14713        | WASHER .258-.260 ORANGE | 18703          | 5    | OPTIONAL 14711-14716 USE ANY 5 WASHERS USE WITH 21326 KEY                   |                         |
| 7    | 14714        | WASHER .263-.265 PURPLE | 18704          | 5    | OPTIONAL 14711-14716 USE ANY 5 WASHERS USE WITH 21326 KEY                   |                         |
| 7    | 14715        | WASHER .268-.270 YELLOW | 18705          | 5    | OPTIONAL 14711-14716 USE ANY 5 WASHERS USE WITH 21326 KEY                   |                         |
| 7    | 14716        | WASHER .273-.275 BLACK  | 18706          | 5    | OPTIONAL 14711-14716 USE ANY 5 WASHERS USE WITH 21326 KEY                   |                         |
| 7    | 4300382      | WASHER .249-WHITE       |                | 5    |   | K-2366,K-2410           |
| 7    | 4300383      | WASHER .254-GREEN       |                | 5    | OPTIONAL 4300382-4300387 OR 4300830 USE ANY 5 WASHERS. USE WITH 3-SIDED KEY | K-2366,K-2410           |
| 7    | 4300384      | WASHER .259-ORANGE      |                | 5    | OPTIONAL 4300382-4300387 OR 4300830 USE ANY 5 WASHERS. USE WITH 3-SIDED KEY | K-2366,K-2410           |
| 7    | 4300385      | WASHER .264-PURPLE      |                | 5    | OPTIONAL 4300382-4300387 OR 4300830 USE ANY 5 WASHERS. USE WITH 3-SIDED KEY |                         |
| 7    | 4300386      | WASHER .269-YELLOW      |                | 5    | OPTIONAL 4300382-4300387 OR 4300830 USE ANY 5 WASHERS. USE WITH 3-SIDED KEY |                         |
| 7    | 4300387      | WASHER .274-BLACK       |                | 5    | OPTIONAL 4300382-4300387 OR 4300830 USE ANY 5 WASHERS. USE WITH 3-SIDED KEY |                         |
| 7    | 4300830      | WASHER .244-BLUE        |                | 5    |   | K-2366,K-2410           |
| 8    | 16118        | SLIDING CLUTCH          |                | 2    |   |                         |
| 9    | 21502        | LOW GEAR-MAINSHAFT      |                | 1    |   |                         |
| 10   | 21024        | 1ST GEAR-MAINSHAFT      | 19628 ,4300240 | 1    |   |                         |
| 11   | 19622        | 2ND GEAR-MAINSHAFT      | 21263 ,4300246 | 1    |   |                         |
| 12   | 23102        | OD GEAR-MAINSHAFT       | 22960 ,4300190 | 1    |   |                         |
| 13   | 22032        | SPACER                  |                | 1    | BACK TAPERED CLUTCHING TEETH  | K-2410                  |
| 14   | 4304317      | SLIDING CLUTCH          | 22026          | 1    | BACK TAPERED CLUTCHING TEETH  | K-1999                  |
| 16   | 4303603      | WASHER                  | 4302397        | 1    |   | K-3157,K-3166           |
| 17   | 4302398      | WASHER                  |                | 2    | USE 3-SIDED KEY ONLY  | K-3157,K-3166           |
| 18   | 4302393      | OD GEAR-MAINSHAFT       | 4305070        | 1    | USE 3-SIDED KEY ONLY  | K-3157,K-3166           |
| 19   | 4302396      | 2ND GEAR-MAINSHAFT      |                | 1    | USE 3-SIDED KEY ONLY  | K-3157,K-3166           |



## MISCELLANEOUS

| Item  | Current Part | Description         | Replaced Part | Qty. | Notes                                 | Kits/Assys Where Needed            |
|-------|--------------|---------------------|---------------|------|---------------------------------------|------------------------------------|
| 20398 |              | SHIFT DIAGRAM LABEL | 19675         | 1    | WITH A-5010 VALVE RTX/RTXF-16709B & H |                                    |
| 71203 |              | SILICONE LUBE       |               | 1    | 8 OZ (236.59 CC)-FLEET SIZE           |                                    |
| 71204 |              | ADHESIVE SEALANT    |               | 1    | 0.5 CC (SINGLE APPLICATION SIZE)      |                                    |
| 71205 |              | SEALANT             |               | 1    | 2 CC (SINGLE APPLICATION SIZE)        | K-1999                             |
| 71206 |              | SILICONE LUBE       |               | 1    | 4 CC (SINGLE APPLICATION SIZE)        | K-1431,K-1450,K-2428,K-2429,K-2978 |

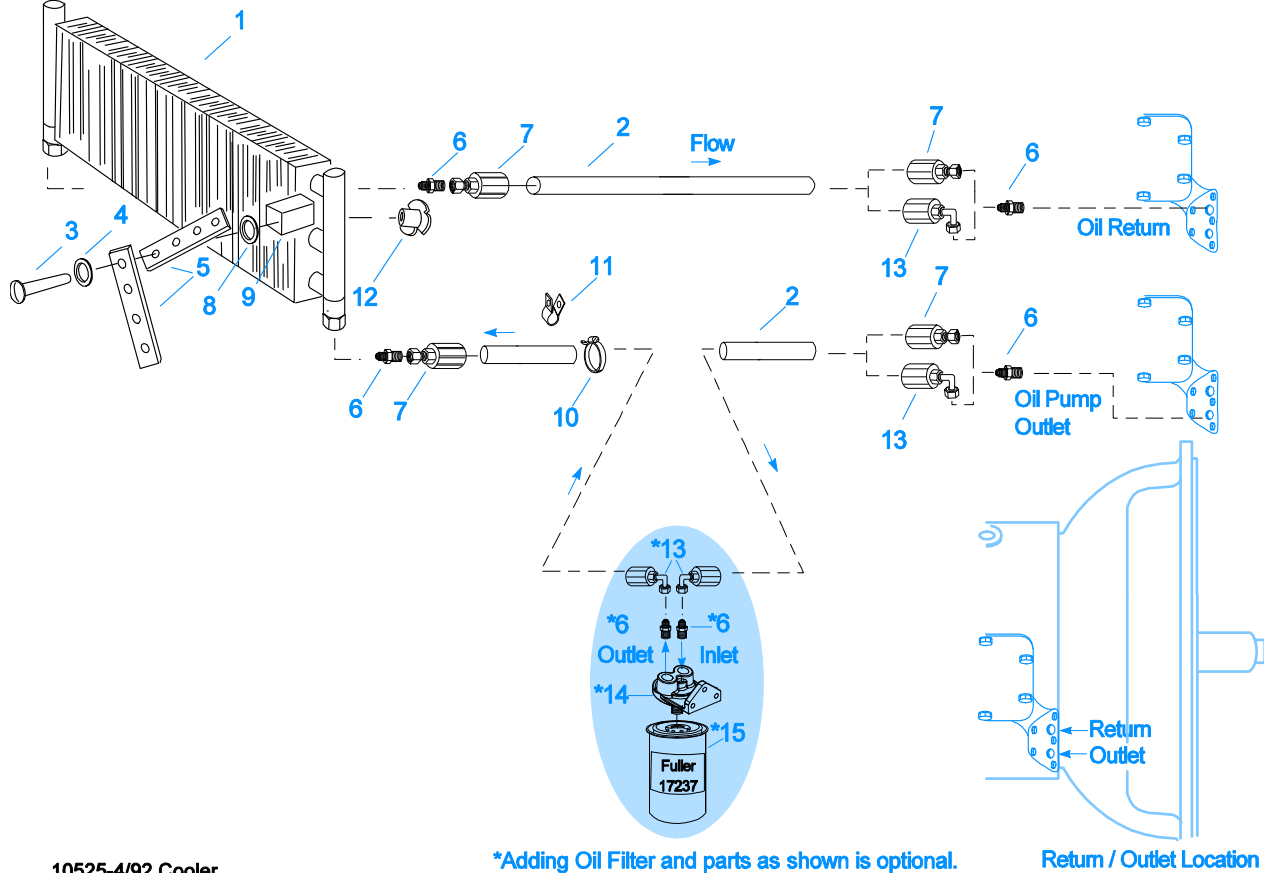


10337B-10-96

### NON-SELECTIVE M/S ASSY

| Item | Current Part | Description            | Replaced Part   | Qty. | Notes | Kits/Assys Where Needed            |
|------|--------------|------------------------|-----------------|------|-------|------------------------------------|
| 1    | S-2688       | MAINSHAFT ASSY         | 4303404 4303913 | 1    |       | K-3157,K-3166                      |
| 2    | 62504        | ROLL PIN               |                 | 1    |       | S-2688                             |
| 3    | 4304614      | 3-SIDED KEY            | 4300890         | 1    |       | K-2366,K-2410,K-3157,K-3166        |
| 4    | 14750        | SNAP RING              |                 | 1    |       | K-1999,K-2275,K-2410,K-2468,K-4125 |
| 5    | 16756        | REVERSE GEAR-MAINSHAFT | 22408           | 1    |       |                                    |
| 6    | 14749        | SPACER                 |                 | 1    |       | K-2410                             |
| 7    | 16118        | SLIDING CLUTCH         |                 | 2    |       |                                    |
| 8    | 4303409      | LO GEAR-MAINSHAFT      | 4303407         | 1    |       | K-3157                             |
| 9    | 4303603      | WASHER                 | 4302397         | 2    |       | K-3157,K-3166                      |
| 10   | 4303406      | 1ST GEAR-MAINSHAFT     |                 | 1    |       | K-3157,K-3166                      |
| 11   | 4302396      | 2ND GEAR-MAINSHAFT     |                 | 1    |       | K-3157,K-3166                      |
| 12   | 4302393      | OD GEAR-MAINSHAFT      | 4305070         | 1    |       | K-3157,K-3166                      |
| 13   | 4300830      | WASHER .244-BLUE       |                 | 1    |       | K-2366,K-2410                      |
| 14   | 4302398      | WASHER                 |                 | 4    |       | K-3157,K-3166                      |
| 15   | 4304317      | SLIDING CLUTCH         | 22026           | 1    |       | K-1999                             |

Group: OIL COOLER



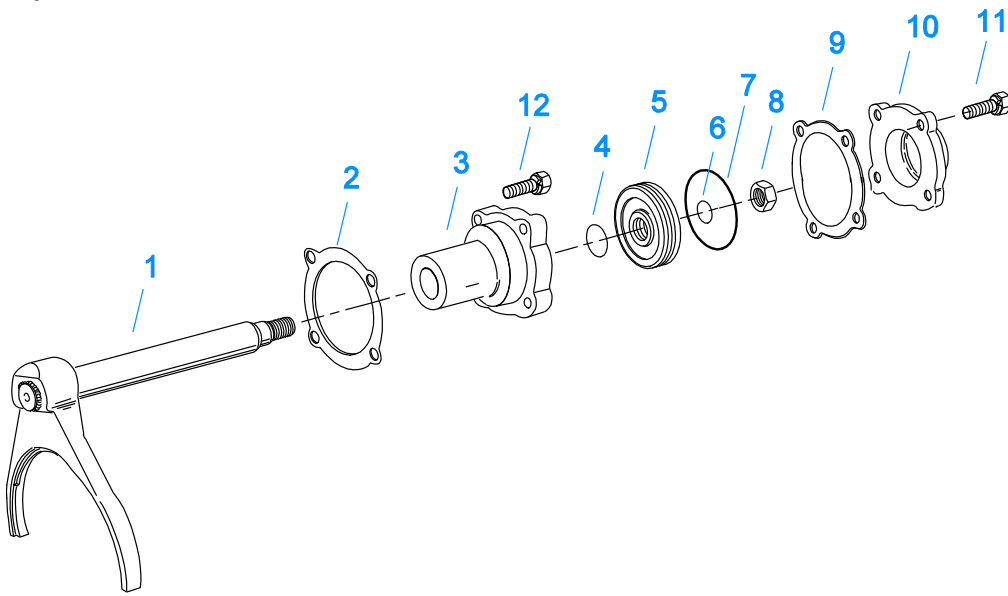
10525-4/92 Cooler

\*Adding Oil Filter and parts as shown is optional.

Return / Outlet Location

## OIL COOLER

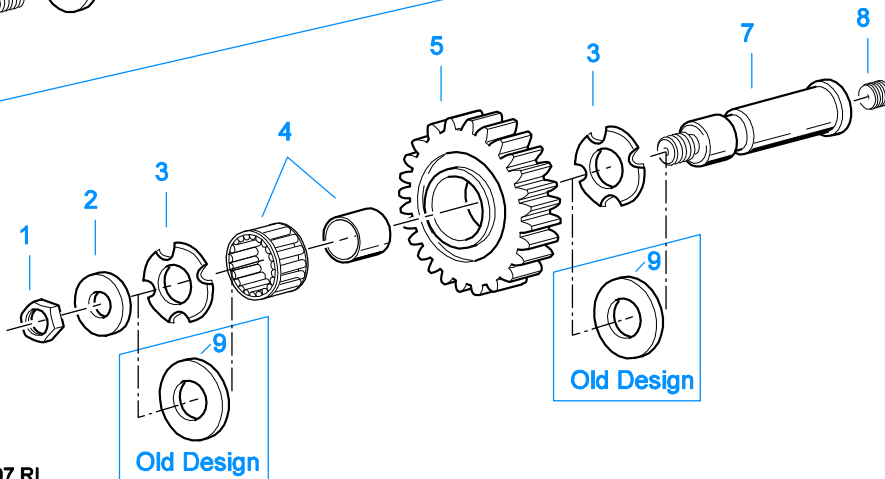
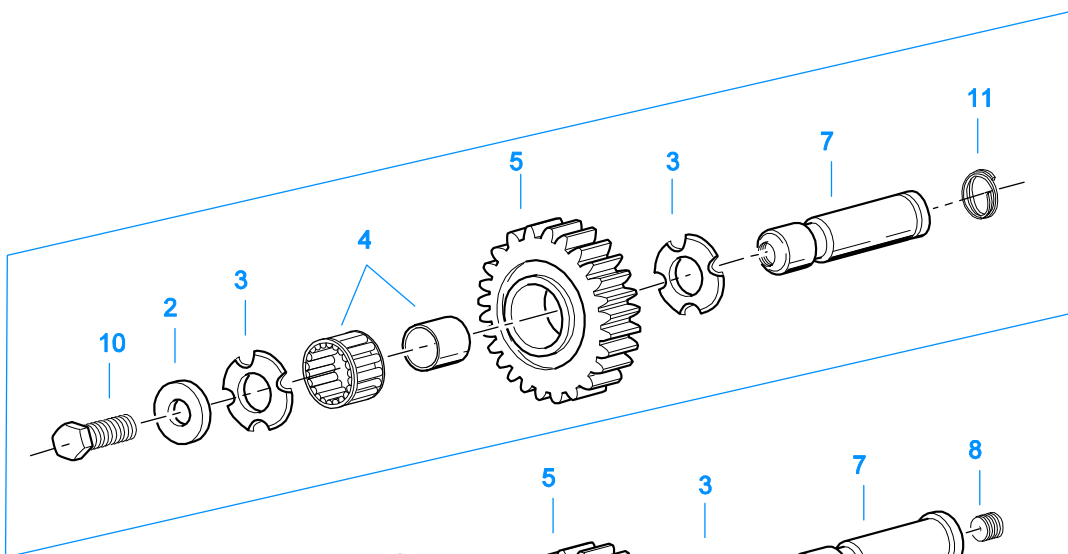
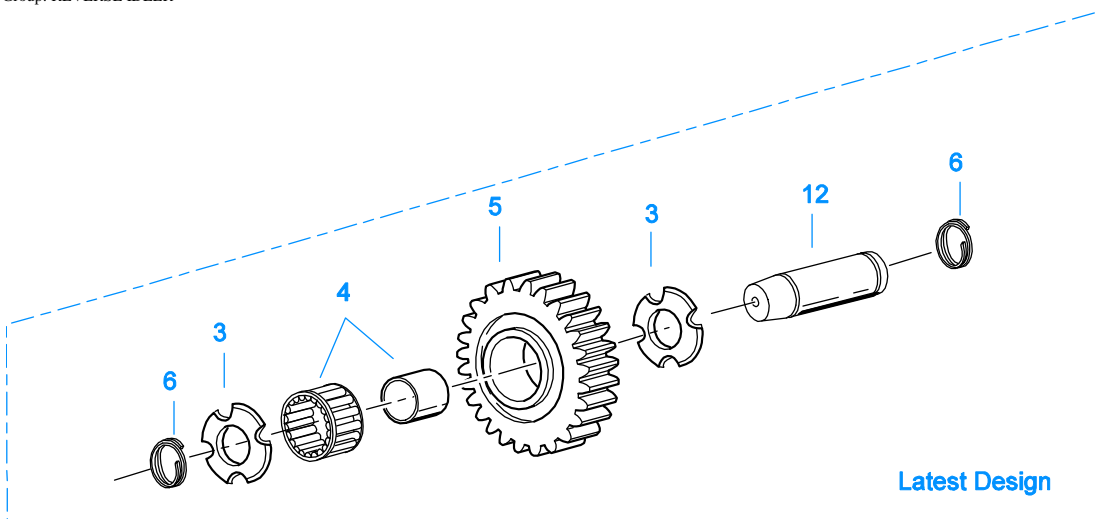
| Item | Current Part | Description       | Replaced Part | Qty. | Notes           | Kits/Assys Where Needed |
|------|--------------|-------------------|---------------|------|-----------------|-------------------------|
| 1    | 18025        | OIL COOLER        |               | 1    |                 | K-1956                  |
| 2    | 19424        | HOSE              |               | 1    | 25 FEET         | K-1956                  |
| 3    | X-8-535      | CAPSCREW          |               | 2    | 5/16"-16X2-1/2" |                         |
| 4    | X-3-506      | LOCKWASHER        |               | 2    | 5/16"           |                         |
| 5    | 18211        | BRACKET           |               | 4    |                 | K-1956                  |
| 6    | 19419        | CONNECTOR         |               | 6    |                 | K-1956,S-1404           |
| 7    | 19415        | SWIVEL            |               | 4    |                 | K-1956                  |
| 8    | X-10-501     | WASHER            |               | 2    | 5/16"           |                         |
| 9    | 18209        | PLUG-RUBBER MOUNT |               | 2    |                 | K-1956                  |
| 10   | 17190        | STRAP             |               | 8    |                 | K-1956                  |
| 11   | 19423        | CLAMP             |               | 5    |                 | K-1956                  |
| 12   | 18210        | NUT               |               | 2    |                 | K-1956                  |
| 13   | 19422        | ELBOW             |               | 4    |                 | K-1956                  |
| 14   | S-1404       | OIL FILTER        | 17238         | 1    |                 |                         |
| 15   | 17237        | FILTER ELEMENT    |               | 1    |                 | S-1404                  |



10461-2/92 Rng Cyl

## RANGE CYLINDER

| Item | Current Part | Description        | Replaced Part | Qty. | Notes            | Kits/Assys Where Needed |
|------|--------------|--------------------|---------------|------|------------------|-------------------------|
| 1    | A-5474       | SHIFT YOKE ASSY    |               | 1    |                  |                         |
| 2    | 14347        | GASKET             |               | 1    |                  | K-1431,K-2061           |
| 3    | 16778        | AUXILIARY CYLINDER |               | 1    |                  | K-1431                  |
| 4    | 14765        | -O- RING           |               | 1    |                  | K-1431,K-1450           |
| 5    | 14341        | PISTON             | 23353         | 1    |                  | K-1431                  |
| 6    | 14345        | -O- RING           |               | 1    |                  | K-1431,K-1450           |
| 7    | 14344        | -O- RING           |               | 1    |                  | K-1431,K-1450           |
| 8    | X-1-1010     | NUT                |               | 1    | 5/8"-18          |                         |
| 9    | 14349        | GASKET             |               | 1    |                  | K-1431,K-1450,K-2061    |
| 10   | 19690        | CYLINDER COVER     |               | 1    |                  |                         |
| 11   | X-8L-604     | CAPSCREW           |               | 4    | 3/8" - 16X1-1/4" |                         |
| 12   | X-8L-600     | CAPSCREW           |               | 4    | 3/8"-16X1"       |                         |

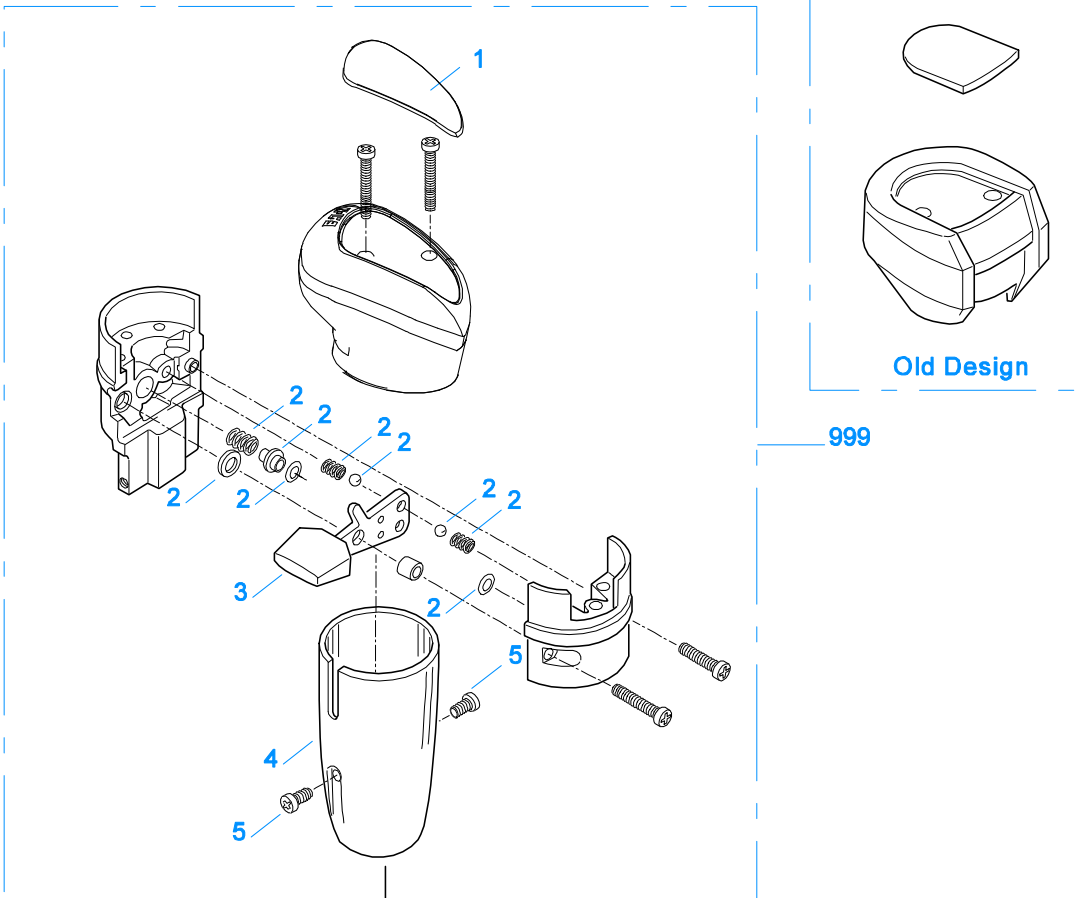


11383-5-97 RI

## REVERSE IDLER

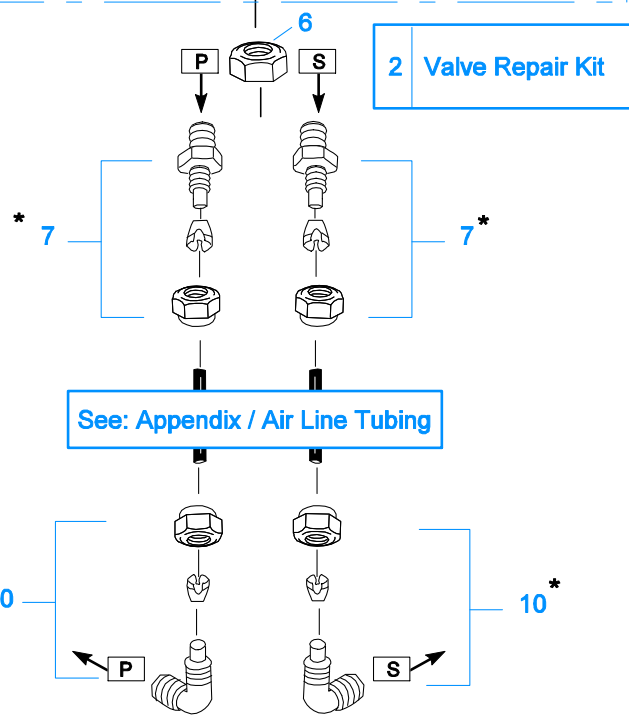
| Item | Current Part | Description          | Replaced Part              | Qty. | Notes   | Kits/Assys Where Needed |
|------|--------------|----------------------|----------------------------|------|---------|-------------------------|
| 1    | X-1-1008     | NUT                  |                            | 2    | 5/8"-18 |                         |
| 2    | 14283        | WASHER               |                            | 2    |         |                         |
| 3    | 4302982      | WASHER               | 14282                      | 4    |         | K-3209,S-1545,S-1826    |
| 4    | 14287        | BEARING              | 4305020                    | 2    |         | K-1999,K-2275           |
| 5    | 16757        | REVERSE IDLER GEAR   | 22409                      | 2    |         |                         |
| 6    | 4303336      | RETAINING RING       |                            | 4    |         | K-3209                  |
| 7    | K-3209       | IDLER SHAFT REPL KIT | 16405 ,4302981<br>,4305513 | 2    |         |                         |
| 8    | 5202         | PLUG                 |                            | 2    |         |                         |

| Item | Current Part | Description         | Replaced Part | Qty. | Notes         | Kits/Assys Where Needed |
|------|--------------|---------------------|---------------|------|---------------|-------------------------|
| 9    | 14282        | NO LONGER AVAILABLE |               | 4    |               |                         |
| 10   | X-7-1008     | CAPSCREW            |               | 2    | 5/8"-18X1-1/4 |                         |
| 11   | 4303336      | RETAINING RING      |               | 2    |               | K-3209                  |
| 12   | 4305513      | IDLER SHAFT         |               | 2    |               | K-3209                  |



999

Old Design

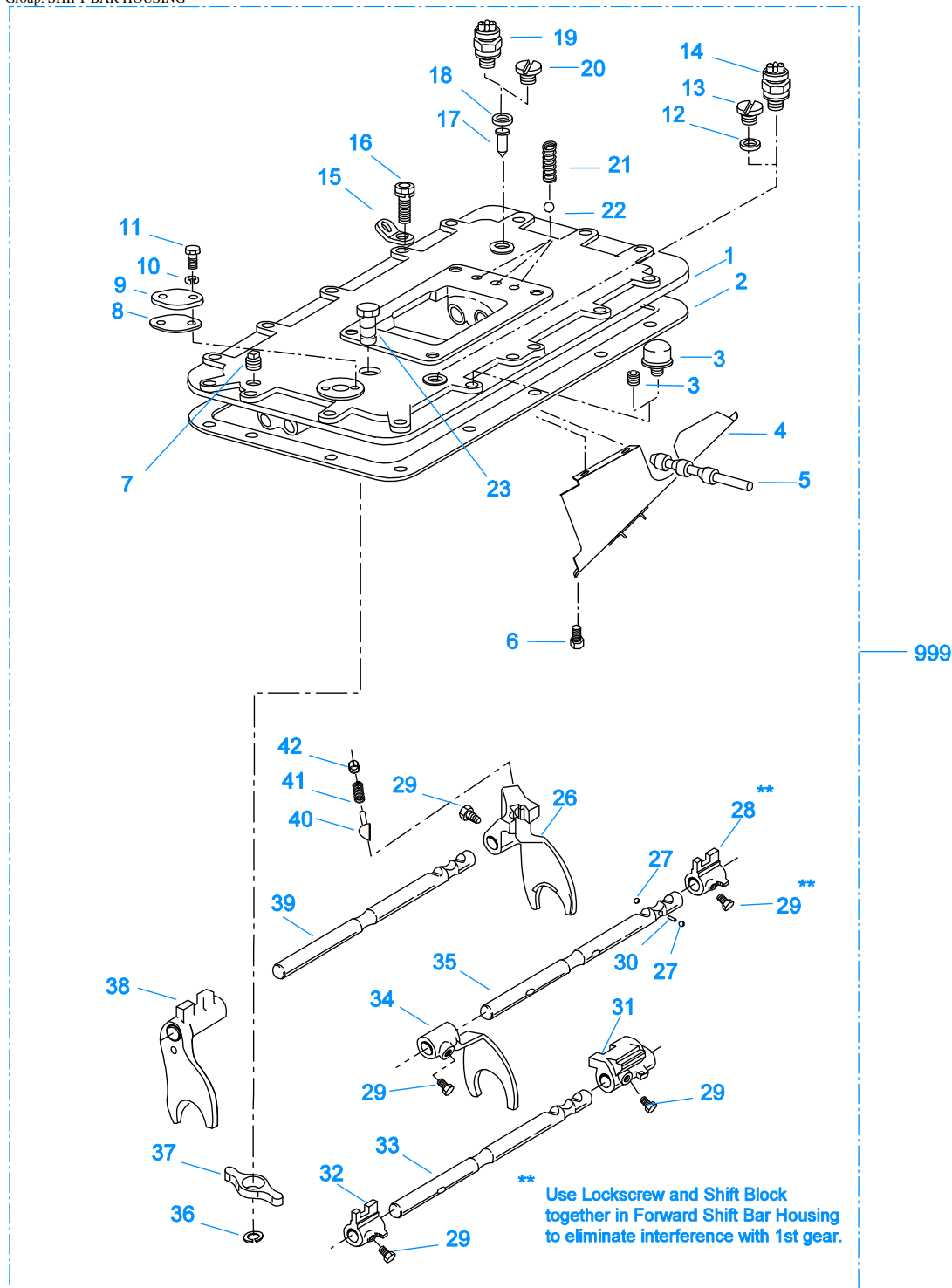


\*For Connector and Elbow Assy component information see Appendix.

## ROADRANGER VALVE

| Item | Current Part | Description                | Replaced Part      | Qty. | Notes                                   | Kits/Assys Where Needed |
|------|--------------|----------------------------|--------------------|------|---|-------------------------|
| 1    | 20107        | MEDALLION, LOGO            |                    | 1    | (OLD DESIGN) FULLER LOGO ONLY           |                         |
| 1    | 5586100      | MEDALLION, LOGO            |                    | 1    | (LATEST DESIGN) FULLER LOGO ONLY        | A-6909                  |
| 1    | 5586104      | SHIFT DIAGRAM<br>MEDALLION |                    | 1    | RT                                      | S-2540                  |
| 2    | K-1921       | MASTER VALVE REPAIR<br>KIT |                    | 1    | FOR A-6909 & A-5010 VALVES              |                         |
| 3    | 20495        | LEVER                      |                    | 1    |   | A-6909                  |
| 4    | 20112        | COVER                      |                    | 1    |   | A-6909                  |
| 5    | X-8-213      | SCREW                      | X 8 202            | 2    | 8-32X3/8"                               |                         |
| 6    | X-9-802      | NUT                        |                    | 1    | 1/2"-13                                 |                         |
| 7    | 84001        | CONNECTOR ASSY             | 82501              | 2    | 1/8" TUBE-1/16" NPTF                    |                         |
| 7    | 84003        | CONNECTOR ASSY             | 82503              | 2    | 5/32" TUBE-1/16" NPTF                   |                         |
| 7    | 84005        | CONNECTOR ASSY             |                    | 2    | "PUSH-TO-CONNECT" 5/32" TUBE-1/16" NPTF |                         |
| 10   | 85001        | ELBOW ASSY                 | 84501              | 2    | 5/32" TUBE-1/8" NPTF                    |                         |
| 10   | 85002        | ELBOW ASSY                 | 84502              | 2    | 1/8" TUBE-1/8" NPTF                     | K-1999                  |
| 10   | 85003        | ELBOW ASSY                 |                    | 2    | "PUSH-TO-CONNECT" 5/32" TUBE-1/8" NPTF  |                         |
| 11   | 84101        | UNION ASSY                 |                    | 1    | 1/8" TUBING                             |                         |
| 11   | 84102        | UNION ASSY                 |                    | 1    | 5/32" TUBING                            |                         |
| 11   | 84103        | UNION ASSY                 |                    | 1    | "PUSH-TO-CONNECT" 5/32" TUBING          |                         |
| 12   | 80120        | SHEATHING (50 FT ROLL)     |                    | 1    | 5/32" - BLACK 50'                       |                         |
| 13   | 13571        | -O- RING CLAMP             |                    | 1    |   |                         |
| 999  | A-6909       | ROADRANGER VALVE<br>ASSY   | A - 5010 ,A - 5310 | 1    | STANDARD-W/LOGO                         |                         |
| 999  | S-2540       | ROADRANGER VALVE<br>ASSY   | A - 5037           | 1    | RT - W/SHIFT DIAGRAM<br>MEDALLION       |                         |





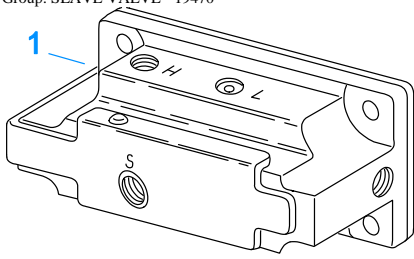
10253-11-96 X-Forward

### SHIFT BAR HOUSING

| Item | Current Part | Description   | Replaced Part   | Qty. | Notes             | Kits/Assys Where Needed |
|------|--------------|---------------|---|------|-------------------|-------------------------|
| 1    | S-1446       | SHIFT BAR HSG | 18925 ,20136 ,20216<br>,20217 ,20488 21136 ,S -<br>1361 | 1    | HOUSING ONLY (XF) |                         |
| 2    | 4302676      | GASKET        | 14918   | 1    |                   | K-2061,S-1527,S-1528    |
| 3    | 4304602      | BREATHER      | 23605   | 1    | 1/4" NPT          |                         |
| 3    | X-12-404     | PIPE PLUG     |   | 1    | 1/4" NPT          |                         |
| 4    | 20070        | OIL TROUGH    |   | 1    |                   | S-1527,S-1528           |

| Item | Current Part | Description          | Replaced Part | Qty. | Notes  | Kits/Assys Where Needed            |
|------|--------------|----------------------|---------------|------|--|------------------------------------|
| 5    | 20332        | AIR VALVE SHAFT      | 17177         | 1    |  | S-1527,S-1528                      |
| 6    | X-8-423      | CAPSCREW             |               | 2    | 1/4"-20X1/2"   |                                    |
| 7    | X-12-603     | PIPE PLUG            | X12 602       | 1    | 3/8" NPT   |                                    |
| 8    | 20209        | GASKET               |               | 1    |  | K-2061,S-1445,S-1446,S-1527,S-1528 |
| 9    | 20199        | PLATE                | 18724         | 1    |  | S-1445,S-1446,S-1527,S-1528        |
| 10   | X-3-400      | LOCKWASHER           |               | 2    | 1/4"   |                                    |
| 11   | X-8-406      | CAPSCREW             |               | 2    | 1/4"-20X3/4"   |                                    |
| 12   | 17179        | GASKET               |               | 1    |  | S-1445,S-1446,S-1527,S-1528        |
| 13   | 4303655      | PLUG                 | 17178         | 1    |  | S-1445,S-1446,S-1527,S-1528        |
| 14   | 22941        | NEUTRAL LIGHT SWITCH | 12639         | 1    | SWITCH NORMALLY CLOSED   |                                    |
| 15   | 20815        | LIFTING EYE          | 17105         | 2    |  | S-1901                             |
| 16   | X-8L-602     | CAPSCREW             |               | 2    | 3/8"-16X1-1/2"   |                                    |
| 16   | X-8L-604     | CAPSCREW             |               | 16   | 3/8"-16X1-1/4"- OR USE 14 PCS OF X-8L-604 WITH 2 PCS OF X-8L-602 |                                    |
| 17   | 15899        | PIN                  |               | 1    |  | S-1445,S-1446,S-1527,S-1528        |
| 18   | 15900        | GASKET               |               | 1    |  | S-1445,S-1446,S-1527,S-1528        |
| 19   | 22940        | REVERSE LIGHT SWITCH | 16830         | 1    | SWITCH NORMALLY OPEN   |                                    |
| 20   | 4303656      | PLUG                 | 15917         | 1    |  | S-1445,S-1446,S-1527,S-1528        |
| 21   | 15918        | SPRING               |               | 3    |  | K-1999,K-2410,S-1527,S-1528        |
| 22   | X-14-800     | STEEL BALL           |               | 3    | 1/2"   |                                    |
| 23   | K-3104       | ACTUATOR PIN KIT     | 4303287       | 1    |  |                                    |
| 26   | 16338        | SHIFT YOKE           |               | 1    | REVERSE/LO   | S-1528                             |
| 27   | X-14-1200    | STEEL BALL           |               | 2    | 3/4"   |                                    |
| 28   | 15770        | SHIFT BLOCK          |               | 1    | 1ST/2ND  | S-1528                             |
| 29   | 22943        | LOCKSCREW            |               | 1    | USE W/15770 SHIFT BLOCK  | S-1528                             |
| 29   | 3220         | LOCKSCREW            |               | 4    |  | S-1527,S-1528                      |
| 30   | 1634         | INTERLOCK PIN        |               | 1    |  | K-2410,S-1527,S-1528               |
| 31   | 19062        | SHIFT BLOCK          |               | 1    | 3RD/OD   | S-1528                             |
| 32   | 20120        | SHIFT BLOCK          | 18924         | 1    | 3RD/OD   | S-1527,S-1528                      |
| 33   | 18931        | YOKE BAR             | 4302759       | 1    | 3RD/OD   | S-1528                             |
| 34   | 18922        | SHIFT YOKE           |               | 1    | 1ST/2ND  | S-1527,S-1528                      |
| 35   | 18930        | YOKE BAR             |               | 1    | 1ST/2ND  | S-1528                             |
| 36   | 4302070      | SNAP RING            |               | 1    |  | K-3104,S-1527,S-1528               |
| 37   | 4303225      | ACTUATOR             |               | 1    |  | S-1527,S-1528                      |
| 38   | 4305575      | SHIFT YOKE           | 20450         | 1    | 3RD/OD   | S-1527,S-1528                      |
| 39   | 18929        | YOKE BAR             |               | 1    | REVERSE/LO   | S-1528                             |
| 40   | 10019        | PLUNGER              |               | 1    |  | S-1219,S-1527,S-1528               |
| 41   | 6392         | SPRING               |               | 1    |  | K-2410,S-1219,S-1527,S-1528        |
| 42   | 8968         | PLUG                 |               | 1    |  | S-1219,S-1527,S-1528               |
| 999  | S-1528       | SHIFT BAR HSG ASSY   | 20217 ,21136  | 1    | COMPLETE (XF)  |                                    |

Group: SLAVE VALVE - 19470



10121-1/92 19470 SV

## SLAVE VALVE - 19470

| Item | Current Part | Description           | Replaced Part | Qty. | Notes | Kits/Assys Where Needed |
|------|--------------|-----------------------|---------------|------|-------|-------------------------|
| 1    | K-2424       | VALVE REPLACEMENT KIT | 19470         | 1    |       |                         |



2 Repair Kit

10120-10-97 A-5000 SV

### SLAVE VALVE - A-5000

| Item | Current Part | Description            | Replaced Part | Qty. | Notes            | Kits/Assys Where Needed |
|------|--------------|------------------------|---------------|------|------------------|-------------------------|
| 1    | A-5000       | SLAVE VALVE ASSY       | 20850         | 1    |                  | K-2424                  |
| 2    | K-1935       | REPAIR KIT-SLAVE VALVE |               | 1    | FOR A-5000 VALVE |                         |
| 3    | 20855        | PLUG                   |               | 1    |                  | A-5000                  |
| 4    | 20854        | PISTON                 |               | 1    |                  | A-5000                  |
| 5    | 20849        | CAP                    | 15131         | 1    |                  | A-5000                  |
| 7    | S-1516       | CAP ASSY               | 20851 ,20853  | 1    |                  |                         |
| 8    | X-8C-413     | CAPSCREW               |               | 3    | 1/4"-20X1-1/2"   |                         |



