



FW8, FW35, FW2500 & FW2535 Series

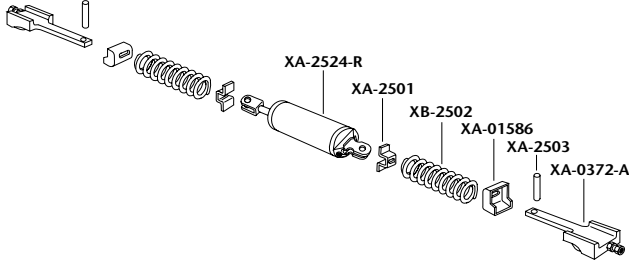
Slide Bracket Parts

Manual Release Installation Instructions

Manufactured **AFTER** May 1, 1982

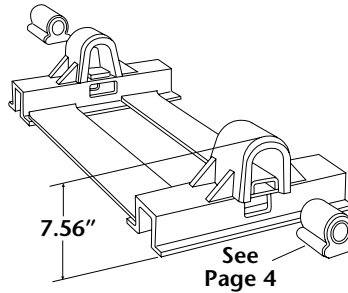
AIR RELEASE

8.62" and 7.62" Fifth Wheel Heights
8.12" and 6.62" Fifth Wheel Heights for FW8



AIR & MANUAL RELEASE

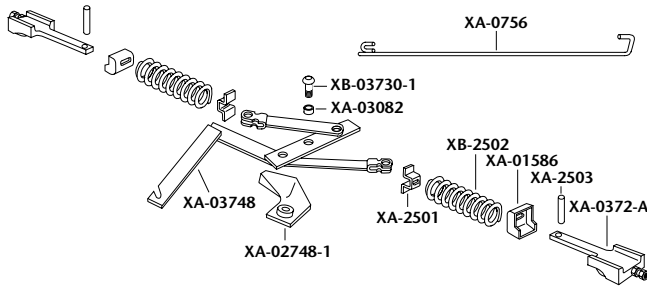
8.62" Fifth Wheel Heights



Brackets are available only as part of complete bracket assemblies – XA-7001 (air) or XA-7011 (manual). Rubber bushings included.

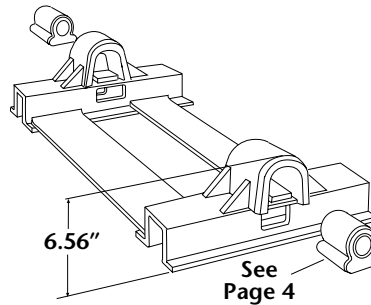
MANUAL RELEASE

All Fifth Wheel Heights



AIR & MANUAL RELEASE

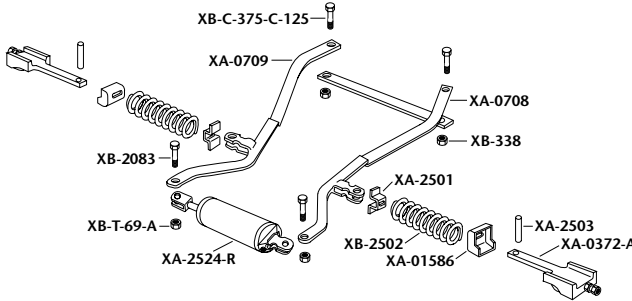
7.62" Fifth Wheel Heights



Brackets are available only as part of complete bracket assemblies – XA-7002 (air) or XA-7012 (manual). Rubber bushings included.

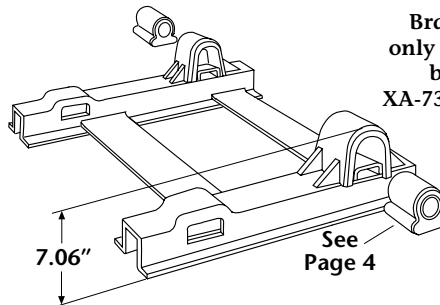
AIR RELEASE

8.12" and 6.62" Fifth Wheel Heights for FW35



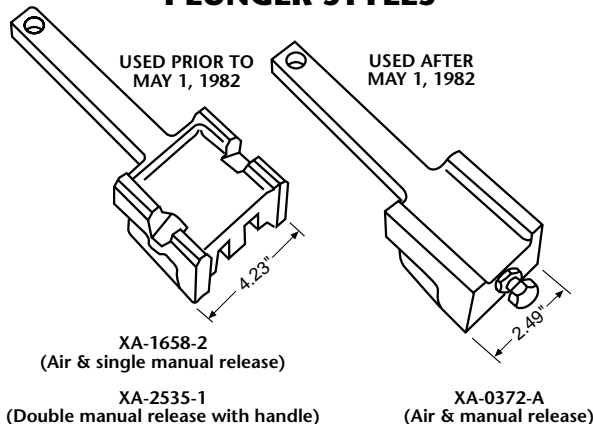
AIR & MANUAL RELEASE

8.12" Fifth Wheel Heights



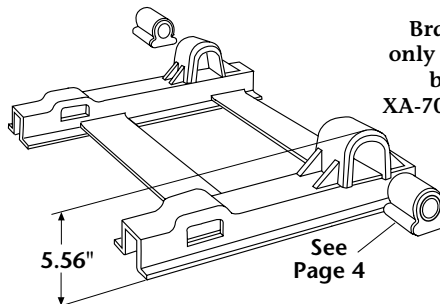
Brackets are available only as part of complete bracket assemblies – XA-7301 (air) or XA-7311 (manual). Rubber bushings included.

PLUNGER STYLES



AIR & MANUAL RELEASE

6.62" Fifth Wheel Heights



Brackets are available only as part of complete bracket assemblies – XA-7003 (air) or XA-7013 (manual). Rubber bushings included.

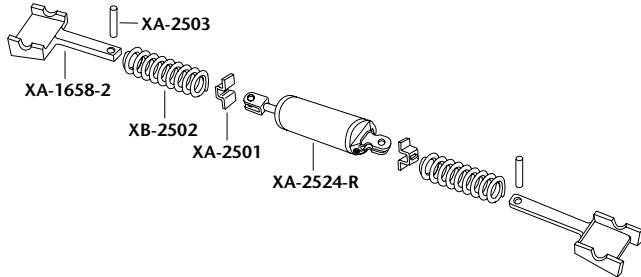
Slide Bracket Parts

FW2500-H, FW2535-H & FW2536-H Series

Manufactured PRIOR May 1, 1982

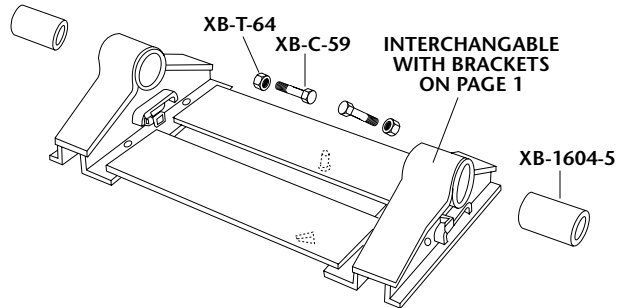
AIR RELEASE

8.69" and 7.69" Fifth Wheel Heights



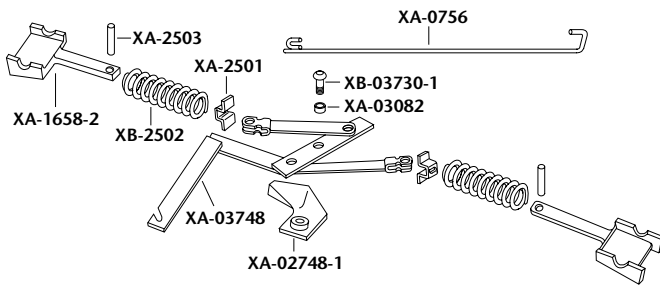
AIR & SINGLE MANUAL RELEASE

8.69" & 7.69" Fifth Wheel Heights



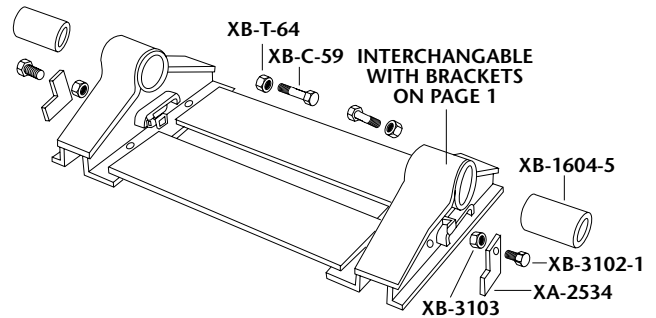
SINGLE MANUAL RELEASE

All Fifth Wheel Heights



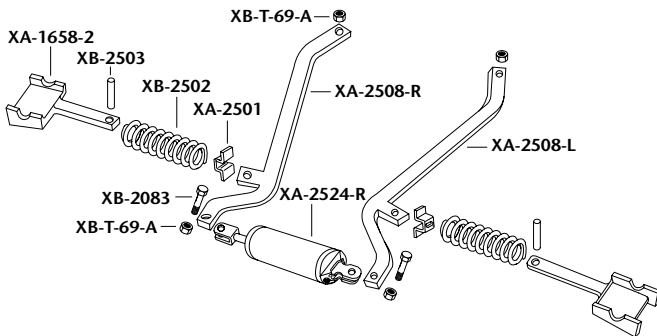
DOUBLE MANUAL RELEASE

8.69" & 7.69" Fifth Wheel Heights



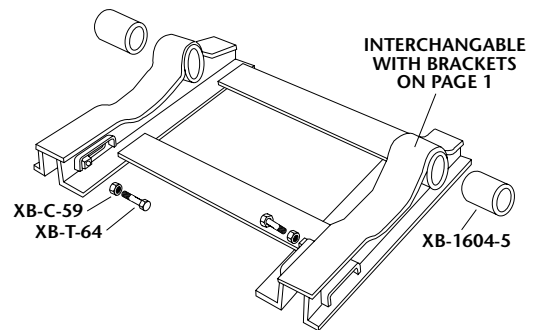
AIR RELEASE

6.75" Fifth Wheel Heights



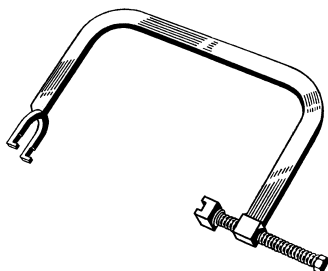
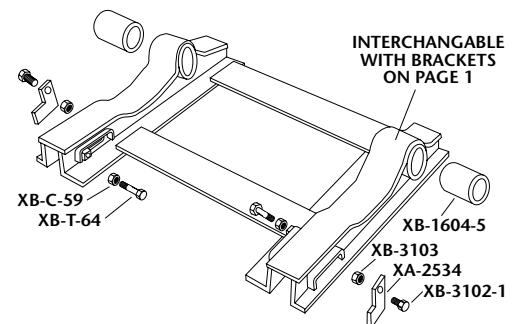
AIR & SINGLE MANUAL RELEASE

6.75" Fifth Wheel Heights



DOUBLE MANUAL RELEASE

6.75" Fifth Wheel Heights



TF-TLN-2500
Slider Spring Compressor
Slider Bracket
Maintenance Tool

Installation Procedure for RK-03156 Single Pull, Manual Release Kit

Disassembly:

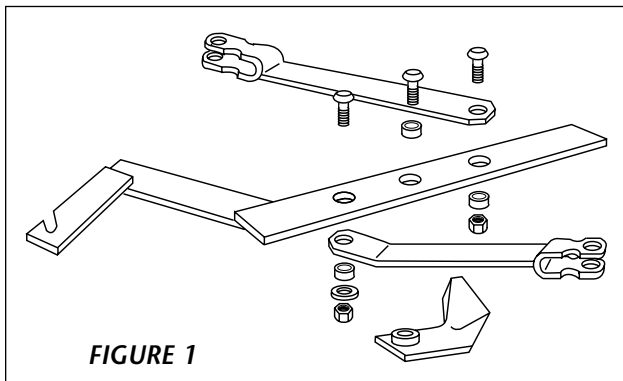
1. Disassemble the existing bracket release hardware (air cylinder or existing manual release hardware) using a **Holland TF-TLN-2500 Spring Compressor** to compress the plunger engagement springs (part no. XB-2502).



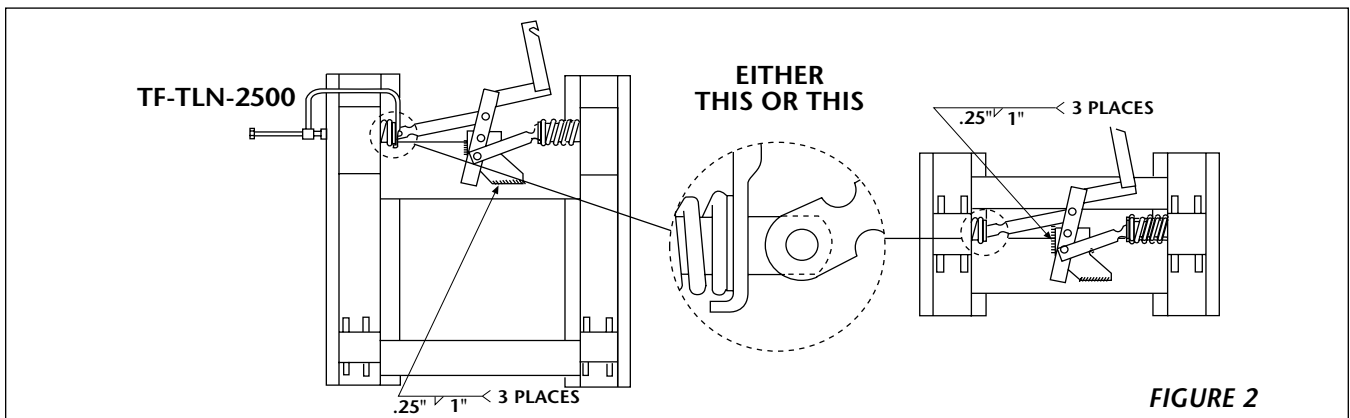
2. Remove the plunger retaining pin (part no. XA-2503) and any remaining hardware.

Assembly:

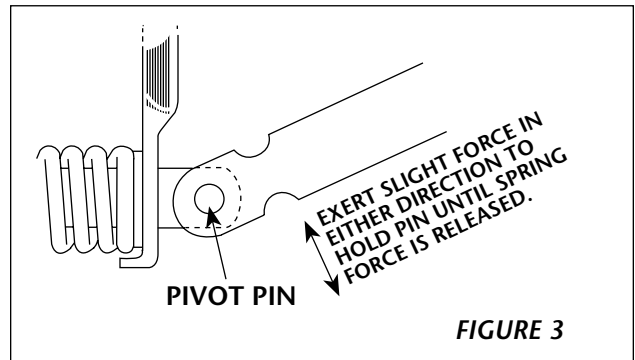
1. Assemble the components of the RK-03156, as shown in **Figure 1**.



2. Install the assembled hardware onto the bracket by locating the components, as shown in **Figure 2**, while sliding the clevis ends over the plunger tails.



3. Install one of the locking pins (part no. XA-2503) that was removed earlier. To hold the pin in place in the clevis, exert slight pressure against the clevis arm. (**See Figure 3**). Slowly release pressure on the spring with the TF-TLN-2500 until the retainer encloses the pin. Repeat for the other side.



4. Remove the spring compressor and check for free movement of the clevis arms.
5. Check for full engagement of both locking plungers by tapping in with a mallet.
6. Position the pivot bracket flush against the edge of the slide plate tie plate. (Shown in **Figure 2**).
7. Tack weld the pivot bracket in three places, as shown in **Figure 2**, using a minimum of a 1/4" weld, 1/4" long.
8. Check for proper operation of the release mechanism and full engagement of both plungers. If the mechanism doesn't function properly, check for an obvious obstruction or binding pivots. If one of the plungers doesn't fully engage, break the tack welds and reposition the pivot, repeating **Steps 6 and 7**.
9. If the mechanism functions properly, finish welding the pivot bracket with three 1/4" welds, 1" long. (**See Figure 2**).

Procedure for Converting to Current Upshock Rubber Cushions on Holland Sliding Fifth Wheels

Manufactured **AFTER** May 1, 1982

HOLLAND offers improved rubber upshock cushions for fifth wheel brackets (part no. XB-0011-2) used in its standard capacity over-the-road fifth wheels. This improved cushion incorporates an integrally molded nylon sleeve to assist in cushion support and pivot pin removal, if necessary for maintenance. (See Figure 1).

The cushion can be retrofitted into any bracket assembly utilizing the XB-0011-1 cushion. (See Figure 2).

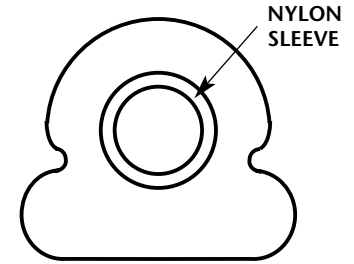
The retrofit procedure is as follows:

For units equipped with cushion supports, the top, moon-shaped piece (part no. XA-03025) must be removed. (See Figure 2).

For units *without* cushion supports, the appropriate cushion support riser must first be added, as shown in Figure 3. In the case of a 3 1/4" high bracket cap, no cushion support riser is required. After properly positioning the riser, weld in place, as described in Figure 3.

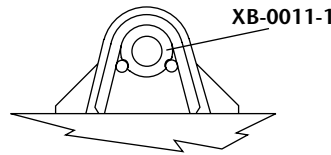
Install the new cushions by first lubricating them with a liquid detergent or soapy water solution. Then, tap in place, using a rubber mallet.

FIGURE 1

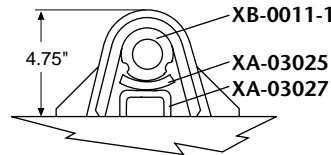


XB-0011-2

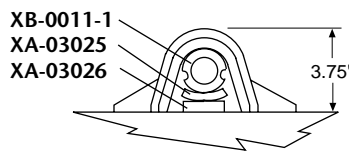
FIGURE 2



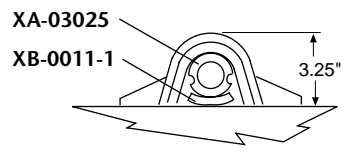
TYPICAL BRACKET
w/o CUSHION SUPPORTS



BRACKET
WITH CUSHION SUPPORTS

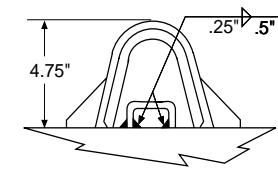


BRACKET
WITH CUSHION SUPPORTS

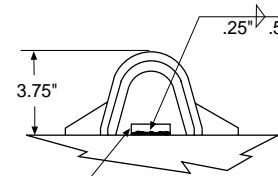


BRACKET
WITH CUSHION SUPPORTS

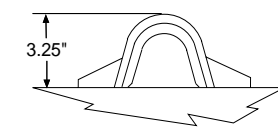
FIGURE 3



XA-03027 RISER



XA-03026 RISER



NO RISER REQUIRED

Copyright © October 1999 Holland Hitch Company



★ Holland Hitch Co.
Holland, MI 49423
(616) 396-6501
(888) 396-6501
FAX (800) 769-3299

★ Holland Hitch of New Jersey
Whitehouse Station, NJ 08889
(908) 534-4162
(888) 396-6501
FAX (800) 769-3299

★ Holland Atlantic Hitch Co.
Denmark, SC 29042
(803) 793-3313
(888) 396-6501
FAX (800) 769-3299

★ Holland Hitch of Texas, Inc.
Wylie, TX 75098
(972) 442-3556
(888) 396-6501
FAX (800) 769-3299

★ Holland Pacific Hitch Co.
Milpitas, CA 95035
(408) 262-2550
(888) 396-6501
FAX (800) 769-3299

▲ Holland Binkley Co.
Warrenton, MO 63383
(314) 456-3455
FAX (314) 456-6790

▲ Holland Binkley Co.
Holland Axle Division
Delphos, OH 45833
(419) 692-6015
FAX (419) 692-5815

★ Holland Hitch of Canada, Ltd.
Woodstock, Ontario N4S 7Z5
(519) 537-3494
FAX (800) 565-7753

▲ Holland Equipment, Ltd.
Norwich, Ontario N0J 1P0
(519) 863-3414
FAX (519) 863-2398

★ Holland Hitch Western, Ltd.
Surrey, BC V3S 5K1
(604) 574-7491
FAX (604) 574-0244

✚ Eurohitch, GmbH.
Schloss Holte
Germany
(05207) 89560
FAX (05207) 895656

✚ Eurohitch (U.K.), Ltd.
Tipton, West Midlands
United Kingdom
(021) 520-6116
FAX (021) 520-6070

Holland Transtrade
Far East Sdn. Bhd.
Kuala Lumpur, Malaysia
(03) 734-2888
FAX (03) 736-5588

Nippon Holland, Ltd.
Tokyo, Japan
(03) 3461-9130
FAX (03) 3463-1407

✚ Holland Hitch (Aust.), Ltd.
Melton, Victoria, Australia
(03) 9743-6799
FAX (03) 9747-9617