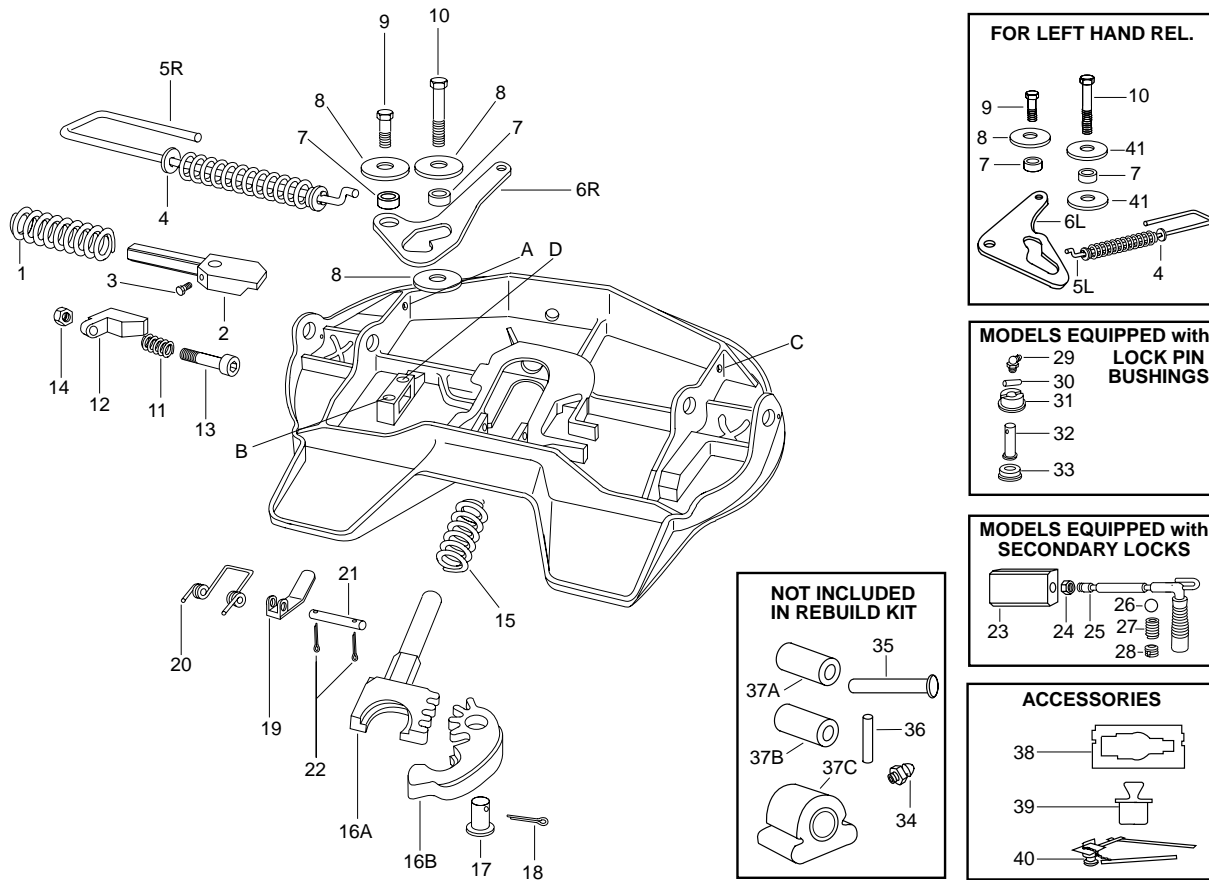




Exploded View

XA-2009 Series Fifth Wheel Top Plates



ITEM	PART NO.	NO. REQ'D.	PART NAME	ITEM	PART NO.	NO. REQ'D.	PART NAME
1	XB-1007 (Red)	1	Comp. Spring 1 ⁵ / ₈ " O.D. x 5"	21	XA-1055	1	Pin
2	XA-1119	1	Plunger	22	XB-16	2	Cotter pin 1/8" x 1"
3	XB-15	1	Set Screw	*23	XA-1668	1	Safety lock block
4	XB-T-49	1	Plain washer 1/2"	*24	XB-NRJ-34-F	1	Jam nut
5L	RK-1117-1L	1	Left hand release handle (Item No. (4) must be installed on handle for complete assy.)	*25	XA-1674	1	Safety release arm
5R	RK-1117-1	1	Right hand release handle (Item No. (4) must be installed on handle for complete assy.)	*26	XB-V-919	1	1/2" diameter steel ball
6L	XA-1118-2-L	1	Left hand cam plate	*27	XB-V-932	1	Compression spring
6R	XA-1118-1	1	Right hand cam plate	*28	XB-V-1025	1	Set screw 5/8" - 18
7	XA-1029	2	Roller	**29	XB-767-C	1	Grease fitting
8	XB-1030	3	(For right hand) washer - 1/2" I.D. x 2 ¹ / ₄ " O.D. (For left hand) washer	**30	XB-21-S-250-1875	1	Roll pin
9	XB-2083	1	Hex hd. screw 1/2"-20 x 1 ³ / ₄ " with locking patch	**31	XA-279	1	Lock pin bushing
10	XB-1031	1	1/2"-20 x 2" Hex hd. cap screw	**32	XA-1016-C	1	Hinged lock pin
11	XB-403	1	Spring	**33	XA-278	1	Lock pin bushing
12	XD-3123-1	1	Lock adjusting wedge	*34	XB-H-38	2	Grease fitting
13	XB-2001	1	5/8"-11 x 3 ³ / ₄ " Soc. hd. screw	*35	XA-2016	2	Bracket pin
14	XB-HNH-58-C	1	5/8"-11 Locknut	*36	XB-21-S-375-1750	2	Roll pin
15	XB-1006 (Green)	1	Comp. spring 1 ¹ / ₄ " O.D. x 5"	*37A	XB-1604-5	2	Rubber bushing (for fifth wheels mfd. prior to 5/82)
16A	XA-1102	1	Lock set	*37B	XB-0011-1	2	Rubber bushing (no longer available - order RK-03809 bushing & riser kit or refer to Ser. Bulletin no. 16 for instructions)
16B				*37C	XB-0011-2	2	Rubber bushing (for fifth wheels mfd. after 6/87)
17	XA-1016	1	Hinged lock pin	38	TF-0110	1	Kingpin gage
18	XB-5	1	Cotter pin 1/4" x 2"	39	TF-0237	1	2" Lock gage
19	XA-1621	1	Lock guard	40	TF-TLN-1000	1	Kingpin lock tester
20	XB-1044	1	Torsion spring	41	XB-02846	2	Washer (left hand only) 1/2" I.D. x 2 ⁵ / ₈ " O.D.

* Not included in Rebuild Kit

** Additional parts included in RK-62011 & RK 62012 Rebuild Kits
(Kits contain Item No. 32 in place of Item No. 17)