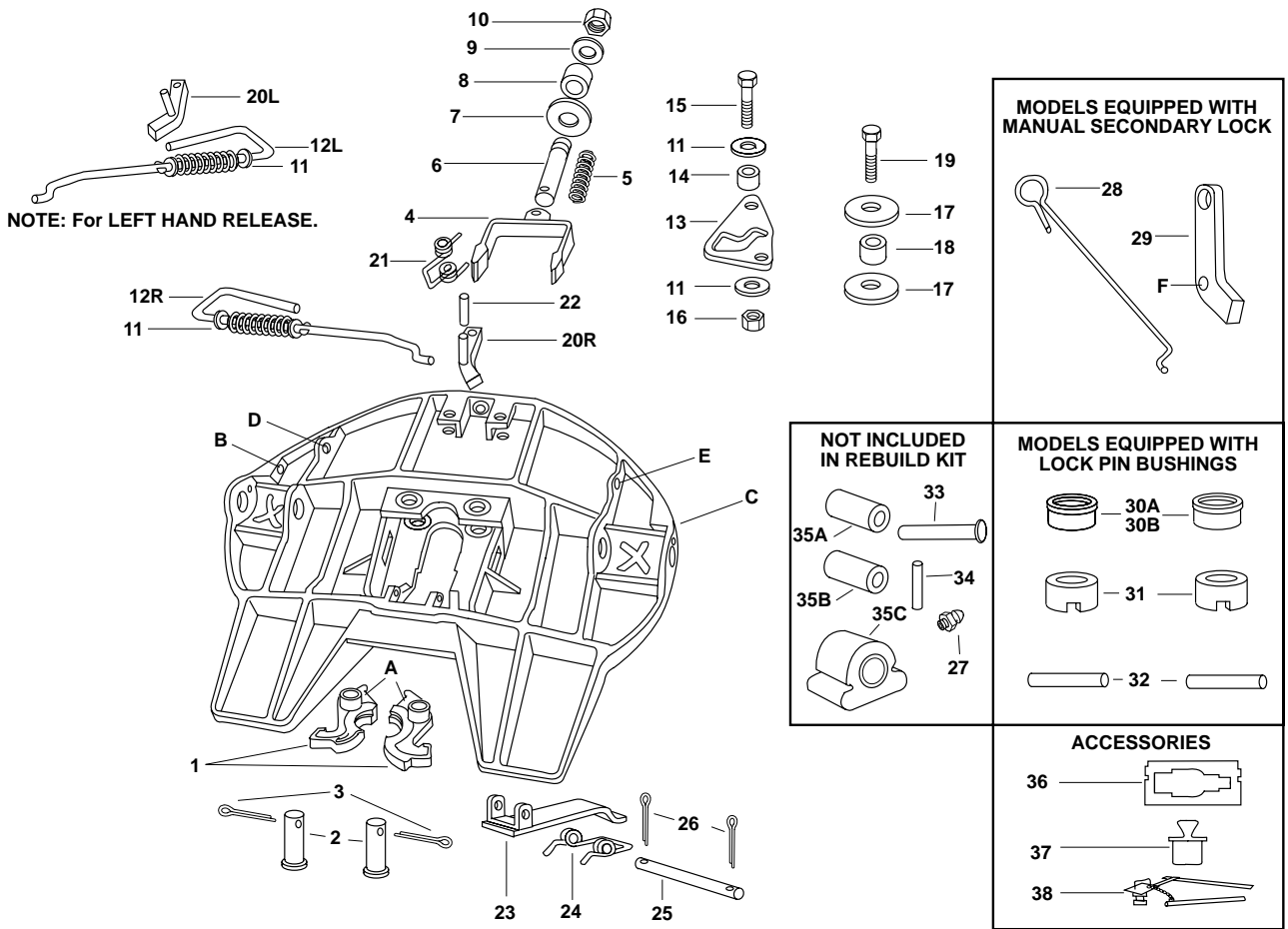




# Exploded View

# XA-3501 Series Fifth Wheel Top Plates



ITEM	PART NO.	NO. REQ'D	PART NAME	ITEM	PART NO.	NO. REQ'S.	PART NAME
1	XA-1704	1	Lock jaws	21	XB-2149	1	Torsion spring
2	XA-1313	2	Lock pin	22	XB-21-S-500-2750	1	Roll pin
3	XB-5	2	Cotter pin 1/4" x 2"	23	XA-3514	1	Lock guard
4	XA-1703-F	1	Yoke sub-assy.	24	XB-1044	1	Torsion spring
5	XB-1505	1	Spring	25	XA-1055	1	Pin
6	XA-1706	1	Yoke shaft	26	XB-16	2	Cotter pin 1/8" x 1"
7	XB-02312	1	Lock adjustment tag	27	XB-H-38	2	Grease fitting
8	XB-1127	1	Rubber washer	*28	XA-3542-M	1	Manual secondary lock handle
9	XB-PW-1316-112	1	Washer 1/2" O.D. x 13/16" I.D.	*29	XA-3528	1	Manual secondary lock
10	XB-HNH-34-F	1	Locknut 3/4"-16	**30	XA-01241	2	Lock pin bushing
11	XB-T-49	3	Washer 1 3/4" O.D. x 9/16" I.D.	**31	XA-01242	2	Lock pin bushing
12L	RK-1707-M	1	Left hand release handle sub-assy. (Part no. (11) must be installed on handle for complete assembly.)	**32	XB-21-S-250-1875	2	Roll pin - MUST be used with part nos. (2) when wheel is equipped with lock pin bushings
12R	RK-1707-6	1	Right hand release handle sub-assy. (Part no. (11) must be installed on handle for complete assembly.)	†33	XA-2016	2	Bracket pin
13	XA-1705	1	Cam plate	†34	XB-21-S-375-1750	2	Roll pin
14	XA-1029	1	Roller	†35A	XB-1604-5	2	Rubber bushing (for fifth wheels mfd. prior to 5/82)
15	XB-2083	1	Bolt 1/2"-10 x 1 3/4"	†35B	XB-0011-1	2	Rub. bush. (no longer available - order XA-0011-2 and see service bull. no. 16 for instructions)
16	XB-T-69-A	1	Locknut 1/2"-20	†35C	XB-0011-2	2	Rubber bushing (for fifth wheels mfd. after 6/87)
17	XB-1030-1	2	Washer	†36	TF-0110	1	Kingpin gage
18	XA-1507	1	Roller	†37	TF-0237	1	2" Lock gage
19	XB-CX-58-F-134	1	Bolt 5/8"-18 x 1 3/4"	†38	TF-TLN-1000	1	Kingpin lock tester
20L	XA-3542-L	1	Secondary lock, left hand				
20R	XA-3542-R	1	Secondary lock, right hand				

\* Additional parts included in RK-63505, RK-63506, RK-63510 or RK-63511 rebuild kits.

\*\* Additional parts included in RK-63508, RK-63509, RK-63510, RK-63511 rebuild kits.

† Not included in rebuild kits.