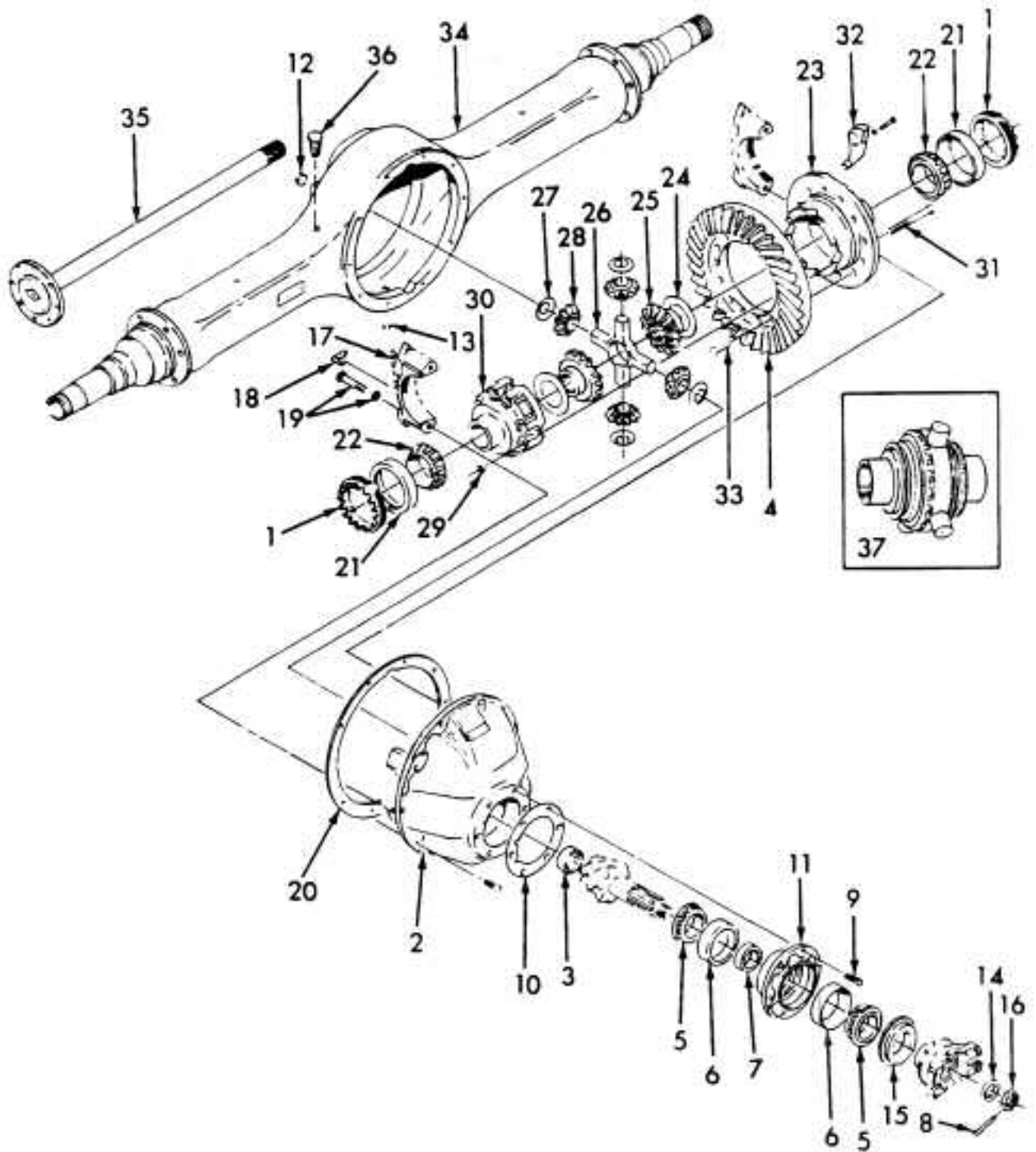


# INTERNATIONAL<sup>®</sup>

## RA39 - REAR AXLE



PARTS LISTED IN THIS CATALOG ARE NOT NECESSARILY MANUFACTURED BY THE ORIGINAL EQUIPMENT MANUFACTURER AND ANY REFERENCE TO THE TRADEMARKS OR PART NUMBERS OF OTHERS ARE FOR CROSS REFERENCE INFORMATIONAL PURPOSES ONLY. THE TRADEMARKS OF OTHERS REFERRED TO HEREIN ARE OWNED BY THEIR RESPECTIVE COMPANIES AND ARE NOT AFFILIATED IN ANY WAY WITH MIDWEST TRUCK & AUTO PARTS, INC.<sup>®</sup> MOTIVE GEAR<sup>®</sup> AND WORLD AMERICAN<sup>®</sup> ARE THE REGISTERED TRADEMARKS OF MIDWEST TRUCK & AUTO PARTS, INC.<sup>®</sup> USE OF THE <sup>®</sup> IN CONNECTION WITH A MARK OF MIDWEST TRUCK & AUTO PARTS, INC.<sup>®</sup> INDICATES THAT THE MARK IS REGISTERED IN AT LEAST THE UNITED STATES. NO REPRESENTATION IS MADE WITH RESPECT TO THE SOURCE OF MANUFACTURE OF ANY PARTICULAR PART. © 2005, MIDWEST TRUCK & AUTO PARTS, INC.<sup>®</sup> ALL RIGHTS RESERVED.

# INTERNATIONAL<sup>®</sup>

## RA39 - REAR AXLE

ITEM NO.	PART NO.	DESCRIPTION	QTY
		AXLE, REAR INTL/DANA <sup>®</sup> F170S 17000 LB SGL-RED	
1	52528HA	ADJUSTER, DIFF. BRG	2
2	115373R92	CARRIER, DIFF. W/CAPS BOLT, 1/2 - 13UNC X 1-3/8 IN.	1
	1691148C1	2-1/4 IN.	6
	1691149C1		8
3	MUB5206UM	& BEARING, PILOT PINION REAR	1
4		// GEAR SET, RING AND PINION W/O INVOLUTE SPLINES	
	586151C91	4.44-1 RATIO	1
	586152C91	4.78-1 RATIO	1
	586153C91	5.38-1 RATIO	1
	68906R94	5.57-1 RATIO	1
	68907R94	6.50-1 RATIO	1
	68908R94	7.17-1 RATIO	1
		W/INVOLUTE SPLINES	
	1658852C91	4.33-1 RATIO	1
	1669331C91	4.56-1 RATIO	1
	1654871C91	4.78-1 RATIO	1
	1654872C91	5.57-1 RATIO	1
	1654873C91	6.50-1 RATIO	1
	1654874C91	7.17-1 RATIO	1
5	55175C	& BEARING, CONE PINION	2
6	55437	& BEARING, CUP PINION	2
7		SPACER, PINION BRG	
	68914R2	.625 IN. THK	AR
	68916R2	.631 IN. THK	AR
	68918R2	.636 IN. THK	AR
	68920R2	.643 IN. THK	AR
	68923R2	.652 IN. THK	AR
8	1/8X 1-3 / 4P	PIN, COTTER 1/8 X 1-3/4	1
9	1691152C1	BOLT, PINION BRG CAGE	8
10		SHIM, PINION BRG CAGE	
	890091R1	.005 IN. THK	AR
	68929R2	.010 IN. THK	AR
	68930R2	.032 IN. THK	AR
11	454713C91	CAGE, PINION BRG W/CUPS	1
12	586045C1	PLUG, FILLER	1
13	586049C1	PLUG, MAGNETIC DRAIN	1
14	54557H	WASHER, COMPANION FLG NUT	1
15	710006	& SEAL, OIL PINION PRIOR TO 7/15/91 7/15/91 AND LATER	1 1
16	117804H	NUT, COMPANION FLG	1
17	3/16 X1 P	PIN, COTTER 3/16 X 1	2
18	ETN0090186	LOCK, DIFF. BRG ADJ	2
19	68924R1	BOLT, DIFF. BRG CAP	4
	25879R1	WASHER, DIFF. BRG CAP	AR
20		& GASKET, CARRIER TO HSG	1
21	3925	& BEARING, CUP DIFF. CASE	2
22	3984	& BEARING, CONE DIFF. CASE	2
23		▶ CASE, DIFF. FLG HALF	
	581550C1	4.33 THRU 5.38-1 RATIO	1
	241282R1	5.57 THRU 7.17-1 RATIO	1
24	86233H	# WASHER, SIDE GEAR THRUST	2
25	571352C1	# GEAR, SIDE DIFF.	2
26	241280R1	# SPIDER, DIFF.	1
27	241278R1	# WASHER, PINION GEAR THRUST	4

ITEM NO.	PART NO.	DESCRIPTION	QTY
28	241279R2	# GEAR, PINION DIFF.	4
29	414087C1	▶ NUT, DIFF. CASE	8
30	241281R1	▶ CASE, DIFF. PL HALF	1
31		▶ BOLT, DIFF. CASE	
	1691243C1	4.33 THRU 5.38-1 RATIO	8
	1691244C1	5.57 THRU 7.17-1 RATIO	8
32	113272R1	SCOOPE, OIL DIFF. CASE	1
	25485R1	BOLT, HEX-HD 1/4 - 20UNC X 1-1/4 IN. 1/4 R	1
		WASHER, LK 1/4 REGULAR	1
33	113271R1	● RIVET, RING GEAR TO DIFF. CASE	12
34		HOUSING AXLE	
		INTERNATIONAL <sup>®</sup> SUSP	
	589026C92	STL SPG	1
	1665468C1	AIR	1
35	455461C2	SHAFT, AXLE 1-7/8 IN X 16 SPLINES PRE-AUTOMATED AXLE SHAFT	2
	2502178C1	X 36 SPLINES AUTOMATED AXLE SHAFT	2
	500016C1	GASKET, AXLE SHAFT FLG	2
36		BREATHER, AXLE HSG	
	968936R91	1/8 IN.	1
	9196R91	3/8 IN.	1
37		DIFFERENTIAL, NO-SPIN <sup>™</sup> UNIT 1-7/8 IN. X 36 SPLINES AUTOMATED AXLE SHAFT <b>NOTE: ITEM 37 REPLACES ITEMS 24 THRU 28 WHEN NO-SPIN<sup>™</sup> DIFF. IS USED.</b>	1
		DIFFERENTIAL, STD 1-7/8 IN. X 16 SPLINES PRE-AUTOMATED AXLE SHAFT	
	113335R96	5.57-1 RATIO	
	113336R96	6.60-1 RATIO	
	113337R96	7.17-1 RATIO X 36 SPLINES AUTOMATED AXLE SHAFT W/O INVOLUTE SPLINES	
	584308C91	4.44-1 RATIO	
	584309C91	4.78-1 RATIO	
	584310C91	5.38-1 RATIO	
	572172C91	5.57-1 RATIO	
	572173C91	6.50-1 RATIO	
	572174C91	7.17-1 RATIO W/INVOLUTE SPLINES	
	1658822C92	4.33-1 RATIO	
	1668481C92	4.56-1 RATIO	
	1654863C92	4.78-1 RATIO	
	1654864C92	5.57-1 RATIO	
	1654865C92	6.50-1 RATIO	
	1654866C92	7.17-1 RATIO	
	592224C91	▶ CASE, DIFF W/BOLTS 4.33 THRU 5.38-1 RATIO	
	493203C91	5.57 THRU 7.17-1 RATIO	
	1651268C91	# GEAR SET, DIFF. SIDE AND PINION 1-7/8 IN. X 16 SPLINES PRE-AUTOMATED AXLE SHAFT	
	585703C91	X 36 SPLINES AUTOMATED AXLE SHAFT	
	RA191RR	& BRG AND SEAL KIT	
	1696994C91	● BOLT KIT // SEE DIFF. CASE LISTING WHEN CHANGING RATIOS	

PARTS LISTED IN THIS CATALOG ARE NOT NECESSARILY MANUFACTURED BY THE ORIGINAL EQUIPMENT MANUFACTURER AND ANY REFERENCE TO THE TRADEMARKS OR PART NUMBERS OF OTHERS ARE FOR CROSS REFERENCE INFORMATIONAL PURPOSES ONLY. THE TRADEMARKS OF OTHERS REFERRED TO HEREIN ARE OWNED BY THEIR RESPECTIVE COMPANIES AND ARE NOT AFFILIATED IN ANY WAY WITH MIDWEST TRUCK & AUTO PARTS, INC.<sup>®</sup> MOTIVE GEAR<sup>®</sup> AND WORLD AMERICAN<sup>®</sup> ARE THE REGISTERED TRADEMARKS OF MIDWEST TRUCK & AUTO PARTS, INC.<sup>®</sup> USE OF THE <sup>®</sup> IN CONNECTION WITH A MARK OF MIDWEST TRUCK & AUTO PARTS, INC.<sup>®</sup> INDICATES THAT THE MARK IS REGISTERED IN AT LEAST THE UNITED STATES. NO REPRESENTATION IS MADE WITH RESPECT TO THE SOURCE OF MANUFACTURE OF ANY PARTICULAR PART. © 2005, MIDWEST TRUCK & AUTO PARTS, INC.<sup>®</sup> ALL RIGHTS RESERVED.