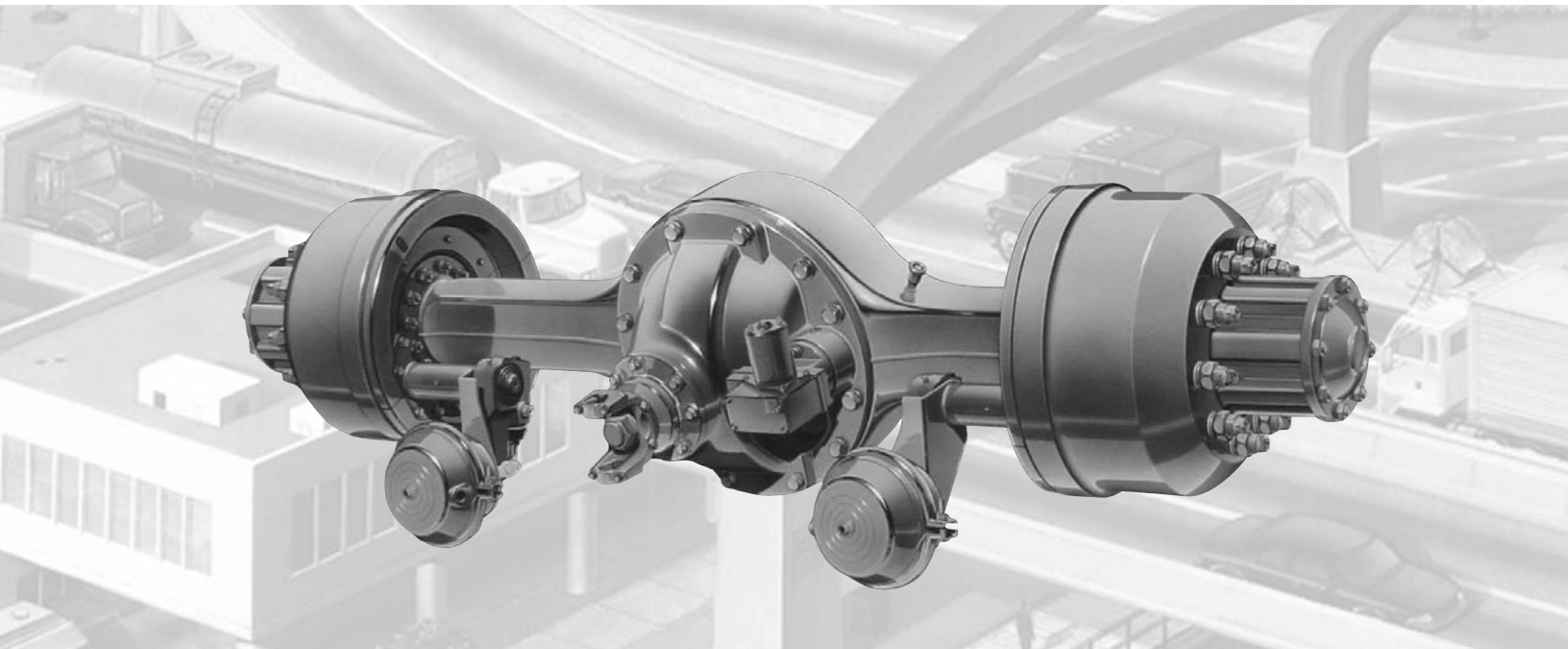


210, 220, 230 and 240 Series 2 Speed Single Axles

Catalog PB-92126



Strength • Power • Speed • Agility

HOW TO USE THIS CATALOG

- There are four basic carriers covered in this catalog:
3200-D-1564 3200-H-1568
3200-F-1566 3200-D-1616

The Model Numbers and Designations Chart on the inside front cover explains the variations of the carriers covered in this book.

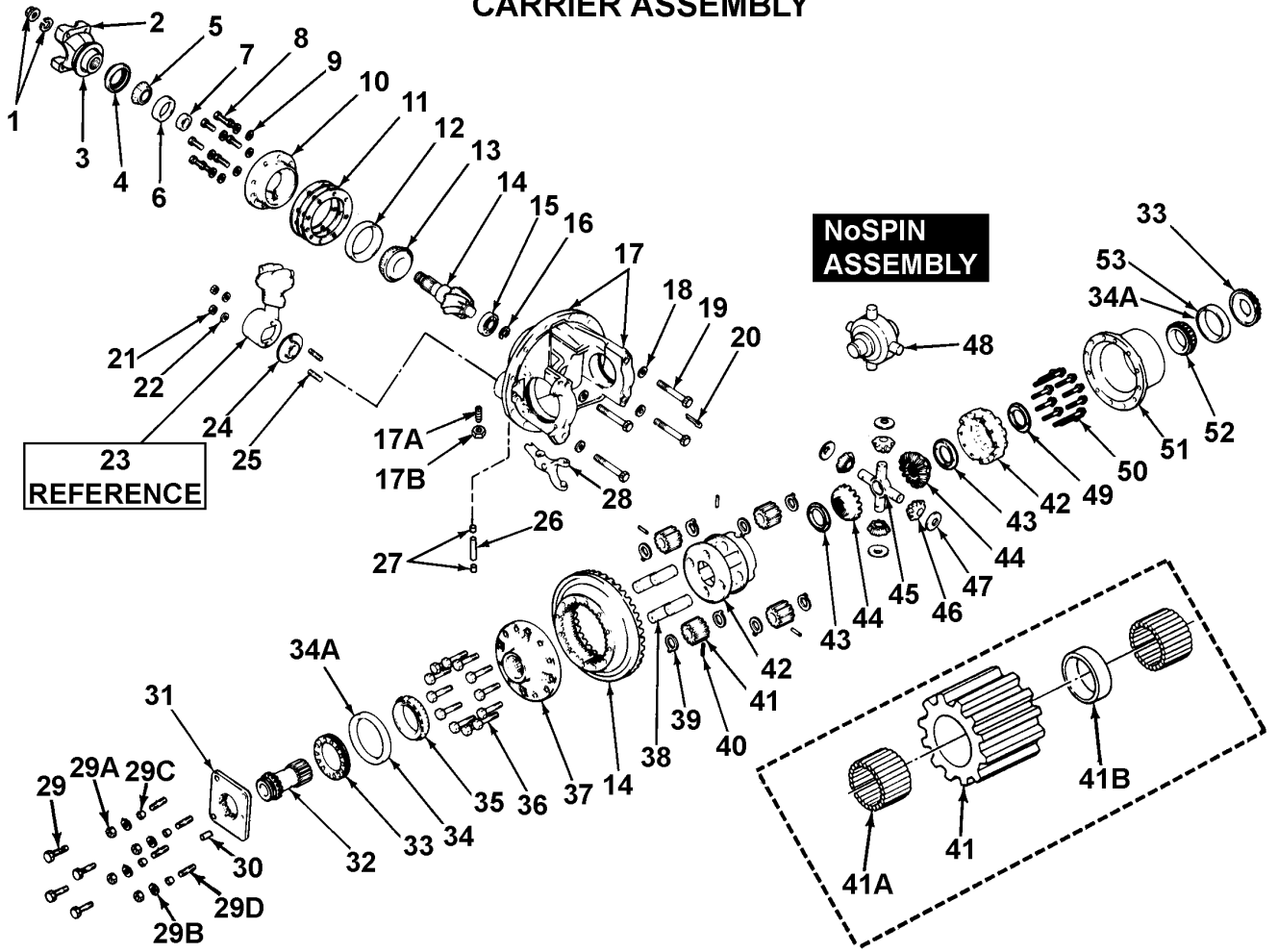
NOTE: The carriers listed in the catalog do NOT include yokes. A yoke is a major assembly difference, so a carrier sold with a yoke has a different assembly level number than the same carrier without the yoke.

- The charts for carriers and housings include the following information:
 - An exploded view keyed to a parts list.
 - A description of each part.
 - Parts that are sold as assemblies that include other parts.
 - Which axle models the part is used on.
 - The quantity of the part used on the axle.
 - The part number for each part.
 - Whether the part is available in a kit.
- **CARRIER PARTS:** Determine which parts apply to your carrier by using the following sources of information:
 - Identification tag installed on the carrier.
 - Model Numbers and Designations Chart on the inside front cover.
 - Carrier Chart on page 4.
 - Parts description chart beginning on page 5.
- **HOUSING ASSEMBLIES:** Items 54 thru 61 on the exploded view cover the housing assemblies for all axles.
- **AXLE SHAFTS:** The axle shafts are grouped in sets (L.H. and R.H. or Standard Hub and Short Hub) according to the axle models they are used on. The axle shafts are also listed by part number with dimensions.
- **YOKES:** There are two charts that cover full round yokes and Easy Service yokes. Each chart lists the yokes used on each model. The yokes are listed by dimensions.
- **KITS:** The Two Speed Repair Kit Reference Chart lists all the kits available for each axle model. Following that chart, the kits are organized according to the kit number and the contents of each kit are listed.
- **NUMERICAL PARTS LISTING:** This section lists every part number along with the page(s) on which the part is listed.

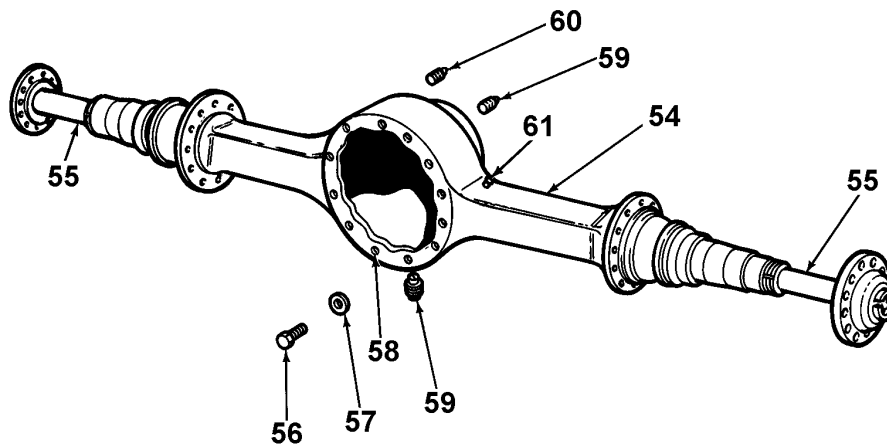
TABLE OF CONTENTS

	PAGE
EXPLODED VIEW.....	2
MODEL NUMBERS AND DESIGNATIONS.....	3
CARRIER CHART.....	4
TWO SPEED AXLES.....	5
TWO SPEED YOKES.....	10
SHAFT CHART.....	11
TWO SPEED AXLE SHAFTS.....	11
TWO SPEED REPAIR KIT REFERENCES.....	12
REPAIR KITS.....	13
NUMERICAL PARTS LIST.....	23

CARRIER ASSEMBLY

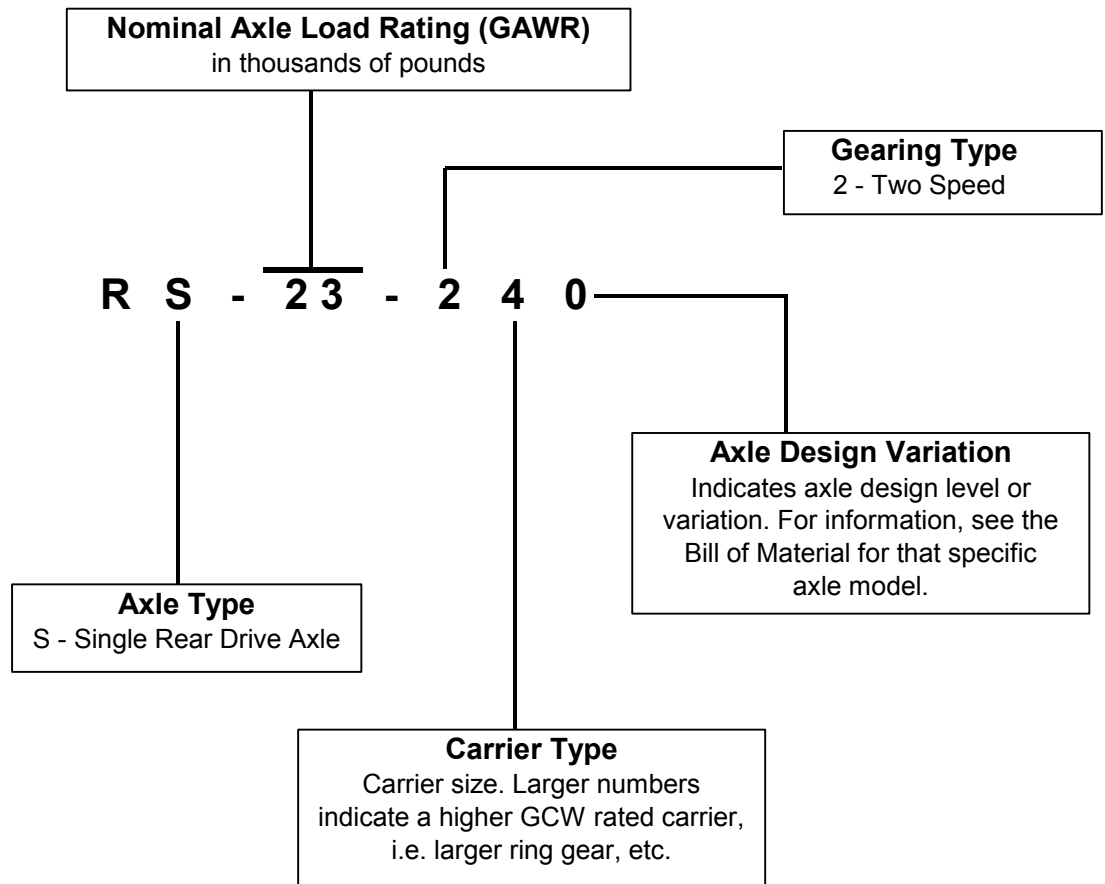


AXLE HOUSING ASSEMBLY



2-SPEED DRIVE AXLES

Model Numbers and Designations



CARRIER CHART

Axle Model	Carrier Number	Ratios
RS-15-210	A44-3200-H-1568 (Std. Diff.)	4.10/5.72
		4.56/6.36
		4.88/6.80
	A45-3200-H-1568 (No-Spin)	5.38/7.50
		5.86/8.17
		6.14/8.57
		6.83/9.53
RS-15-220 RS-17-220 RS-19-220 RS-17-224 RS-19-224	A64-3200-D-1616 (Std. Diff.)	3.91/5.45
		4.10/5.72
		4.30/6.00
		4.56/6.36
		4.88/6.80
	A65-3200-D-1616 (No-Spin)	5.38/7.50
		5.86/8.17
		6.14/8.57
		6.50/9.07
		6.83/9.53
		7.17/10.00
RS-21-230	A78-3200-D-1564 (Std. Diff.)	3.91/5.45
		4.10/5.72
		4.30/6.00
		4.56/6.36
		4.88/6.80
	A68-3200-D-1564 (No-Spin)	5.38/7.50
		5.86/8.17
		6.50/9.07
		6.83/9.53
		7.17/10.00
RS-23-240	A65-3200-F-1566 (Std. Diff.)	4.10/5.59
		4.30/5.86
		4.56/6.21
	A66-3200-F-1566 (No-Spin)	4.88/6.65
		5.38/7.33
		5.57/7.60
		6.14/8.38
		6.50/8.86
		7.17/9.77

TWO SPEED AXLES

Item	Description	Remarks	Model	Qty.	Part Number
1	Nut-drive pinion		All except 240's	1	KIT 2636
			RS-23-240	1	KIT 2637
2, 3	Input yoke assy.			1	See yoke section
3	Deflector-input yoke		All except 240's	1	DEFR40-4
			RS-23-240	1	DEFR50-7
4	Oil seal-pinion cage assy.		All except 240's	1	A-1205-D-1928
			RS-23-240	1	A-1205-N-2588
5	Cone-drive pinion outer bearing		210's, 220's, 224's	1	M804049
			RS-21-230	1	HM804846
			RS-23-240	1	55206C
6	Cup-drive pinion outer bearing		210's, 220's, 224's	1	M804010
			RS-21-230	1	HM804810
			RS-23-240	1	55437
7	Spacers-pinion bearing	Available in KIT 2343	All except 240's	Use 2 as req.	2203-D-9156
					2203-E-9157
					2203-F-9158
					2203-G-9159
					2203-H-9160
					2203-J-9162
					2203-K-9163
					2203-L-9164
					2203-M-9165
					2203-N-9166
		2203-P-9168			
		Available in KIT 2336	RS-23-240 Only	Use 2 as req.	2203-C-9103
					2203-D-9104
					2203-E-9105
					2203-F-9106
					2203-G-9107
					2203-H-9108
					2203-J-9110
					2203-K-9111
					2203-L-9112
2203-M-9113					
2203-N-9114					
8	Capscrew-pinion bearing cage		All	8	MS-212040-1
9	Washer-pinion bearing cage		All	8	MWA-512
6, 10, 12	Pinion bearing cage assy.		210's, 220's, 224's	1	A-3226-R-1058
			RS-21-230	1	A-3226-S-1059
			RS-23-240	1	A-3226-U-1061
11	Shims-pinion bearing cage	Available in KIT 2365	All except 240's	Use as req.	2203-S-9171
					2203-Q-9169
					2203-R-9170
		Available in KIT 2332	RS-23-240	Use as req.	2203-D-9052
					2203-E-9053
2203-F-9054					
12	Cup-drive pinion inner bearing		All except 240's	1	55437
			RS-23-240	1	78551
13	Cone-drive pinion bearing		All except 240's	1	55200C
			RS-23-240	1	78225C

TWO SPEED AXLES (Continued)

Item	Description	Remarks	Model	Qty.	Part Number
14, 1	Drive gear pinion and nut assy.	4.10 Ratio	RS-15-210	Use 1 as req.	A-39696-1
		4.56 Ratio			A-39698-1
		4.88 Ratio			A-39700-1
		5.38 Ratio			A-39702-1
		5.86 Ratio			A-40016-1
		6.14 Ratio			A-39704-1
		6.83 Ratio			A-39706-1
		3.91 Ratio	RS-15-220 RS-17-220 RS-19-220 RS-17-224 RS-19-224	Use 1 as req.	A-39726-1
		4.10 Ratio			A-39728-1
		4.30 Ratio			A-40012-1
		4.56 Ratio			A-39730-1
		4.88 Ratio			A-39732-1
		5.38 Ratio			A-39734-1
		5.86 Ratio			A-39738-1
		6.14 Ratio			A-39740-1
		6.50 Ratio			A-39742-1
		6.83 Ratio			A-39744-1
		7.17 Ratio	A-39746-1		
		3.91 Ratio	RS-21-230	Use 1 as req.	A-39766-1
		4.10 Ratio			A-39768-1
		4.30 Ratio			A-40014-1
		4.56 Ratio			A-39770-1
		4.88 Ratio			A-39772-1
		5.38 Ratio			A-39776-1
		5.86 Ratio			A-39780-1
		6.50 Ratio			A-39926-1
		6.83 Ratio			A-39928-1
		7.17 Ratio			A-39930-1
		4.10 Ratio	RS-23-240	Use 1 as req.	A-39952-1
		4.30 Ratio			A-39954-1
		4.56 Ratio			A-39956-1
		4.88 Ratio			A-39958-1
		5.38 Ratio			A-39962-1
5.57 Ratio	A-39964-1				
6.14 Ratio	A-39968-1				
6.50 Ratio	A-39970-1				
7.17 Ratio	A-39974-1				
15	Bearing-drive pinion spigot		RS-15-210	1	1228-H-580
			220's & 224's	1	1228-F-552
			230's & 240's	1	1228-E-1045
16	Snap ring-spigot bearing retainer		RS-15-210	1	1229-W-1167
			All except 210's	1	1229-A-1301
17, 18, 19	Differential carrier and cap assy.		RS-15-210	1	A2-3200-H-1568
			220's & 224's	1	A2-3200-D-1616
			RS-21-230	1	A2-3200-D-1564
			RS-23-240	1	A2-3200-F-1566
17A	Screw-thrust	4.10/4.30/4.56/4.88 ratios only	RS-23-240	1	41-X-1155
		All other ratios		1	41-X-1150
17B	Nut-jam		RS-23-240	1	40-X-1093
18	Washer-differential bearing cap		All except 240's	4	MWA-516
			RS-23-240	4	42-X-1021
19	Capscrew-differential bearing cap		210's, 220's, 224's	4	MS-216110-1
			RS-21-230	4	MS-216130-1
			RS-23-240	4	MS-220130-1
20	Cotter pin-adjusting ring (R.H.)		All	1	1199-R-2176
21	Nut-shift assy. to carrier		All	2	1227-D-1278
22	Washer-shift assy. stud		All	2	WALM7-2

TWO SPEED AXLES (Continued)

Item	Description	Remarks	Model	Qty.	Part Number
23	Shift Assy-air, vacuum or electric	Supplied by vehicle manufacturer	All	1	Reference only
24	Diaphragm-shift unit (boot assy.)		All	1	A-3280-M-8307
25	Stud-shift assembly to carrier		All	2	SN-714-1
26	Pin-shift fork		All	1	1246-L-1026
27	Plugs-shift fork pin hole		All	2	1250-J-1024
28	Shift fork assy.		RS-15-210	1	A-3296-J-1024
			220's & 224's	1	A-3296-L-1026
			RS-21-230	1	A-3296-N-1028
			RS-23-240	1	A-3296-Q-1031
29	Capscrew-clutch plate to carrier		RS-15-210	4	41-X-1158
			220's & 224's	4	41-X-1157
29A	Nut-clutch plate stud		230's & 240's	4	40-X-1091
29B	Washer-clutch plate to carrier		230's & 240's	4	42-X-1078
29C	Dowel-clutch plate to carrier		230's & 240's	4	42-X-1076
29D	Stud-clutch plate to carrier		230's & 240's	4	44-X-1066
30	Lock pin (L.H.) (clutch plate)		210's & 220's	1	1246-J-1024
			230's & 240's	1	1246-H-1022
31	Clutch plate	Avail. in KIT 2455	RS-15-210	1	3280-T-8314
		Avail. in KIT 2456	220's & 224's	1	3280-A-8321
		Avail. in KIT 2457	RS-21-230	1	3280-H-8328
		Avail. in KIT 2458	RS-23-240	1	3280-L-8306
32	Sun gear	Avail. in KIT 2455	RS-15-210	1	3892-H-4844
		Avail. in KIT 2456	220's & 224's	1	3892-J-4846
		Avail. in KIT 2457	RS-21-230	1	3892-K-4847
		Avail. in KIT 2458	RS-23-240	1	3892-L-4848
33	Adjusting rings	L.H.	RS-15-210	1	2214-D-1044
			220's & 224's	1	2214-H-1048
			RS-21-230	1	2214-M-1053
			RS-23-240	1	2214-B-1042
		R.H.	210's, 220's, 224's	1	2214-F-1046
			230's & 240's	1	2214-K-1051
34	Cup-differential bearing (L.H.)		RS-15-210	1	1228-L-1130
			220's & 224's	1	42584
			RS-21-230	1	52618
			RS-23-240	1	JP12010
34A	Adhesive-bearing cup		All	1	2297-T-4180
35	Cone-differential bearing (L.H.)		RS-15-210	1	A-1228-L-1130
			220's & 224's	1	42381
			RS-21-230	1	52400
			RS-23-240	1	JP12049
36	Capscrew-support case to gear		RS-15-210	8	41-X-1154
			220's & 224's	8	41-X-1152
			RS-21-230	8	41-X-1151
			RS-23-240	8	41-X-1153
37	Support case-planetary half (L.H.)	Avail. in KIT 2455	RS-15-210	1	3280-R-8312
		Avail. in KIT 2456	220's & 224's	1	3280-W-8317
		Avail. in KIT 2457	RS-21-230	1	3280-Y-8319
		Avail. in KIT 2458	RS-23-240	1	3280-U-8315
38	Shaft-planetary pinion	Old style non-needle Bronze replacement (Before Aug. 1991)	RS-15-210	4	3198-C-1017
			220's & 224's	4	3198-U-1009
			RS-21-230	4	3198-V-1010
			RS-23-240	4	3198-W-1011
		New style needle brg. (After Aug. 1991)	RS-15-210	4	3198-A-1015
			220's & 224's	4	3198-Z-1014
	RS-21-230	4	3198-X-1012		
	RS-23-240	4	3198-Y-1013		

TWO SPEED AXLES (Continued)

Item	Description	Remarks	Model	Qty.	Part Number
39	Thrust washer-planetary pinion	Old style non-needle (Before Aug. 1991)	All except 240's	8	1229-K-3183
			RS-23-240	8	1229-H-3180
		New style needle brg. (After Aug. 1991)	All except 240's	8	1229-W-3195
			RS-23-240	8	1229-V-3194
40	Roll pin-planetary pinion		RS-15-210	4	1246-K-1025
			All except 210's	4	1246-H-1022
41	Gear-planetary pinion	Old style non-needle (Before Aug. 1991)	RS-15-210	4	3892-G-4843
			220's & 224's	4	3892-M-4849
			RS-21-230	4	3892-N-4850
			RS-23-240	4	3892-U-2803
		New style needle brg. (After Aug. 1991)	RS-15-210	4	3892-T-4856
			220's & 224's	4	3892-S-4855
			RS-21-230	4	3892-Q-4853
			RS-23-240	4	3892-R-4854
41A	Needle bearing-planetary pinion shaft		RS-15-210	200	2297-E-5179
			220's & 230's	200	2297-C-5177
			RS-23-240	224	2297-D-5178
41B	Spacer-needle bearing		210's, 220's, 224's	4	2203-E-9599
			RS-21-230	4	2203-C-9597
			RS-23-240	4	2203-D-9598
42, 50	Differential case assy.	Used to replace old style non-needle (Before Aug. 1991) Contains new style bearing parts.	RS-15-210	1	A3-3235-Q-1889 (1)
			220's & 224's	1	A3-3235-H-1906 (1)
			RS-21-230	1	A3-3235-G-1905 (1)
			RS-23-240	1	A4-3235-S-1865 (1)
		New style needle brg. (After Aug. 1991)	RS-15-210	1	A-3235-Q-1889
			220's & 224's	1	A-3235-H-1906
			RS-21-230	1	A-3235-G-1905
			RS-23-240	1	A4-3235-S-1865 (1)
42, 43, 44, 45, 46, 47, 50	Differential case and nest assy.	Used to replace old style non-needle (Before Aug. 1991) Contains new style bearing parts.	RS-15-210	1	A4-3235-Q-1889 (2)
			220's & 224's	1	A4-3235-H-1906 (2)
			RS-21-230	1	A4-3235-G-1905 (2)
			RS-23-240	1	A5-3235-S-1865 (2)
		New style needle brg. (After Aug. 1991)	RS-15-210	1	A1-3235-Q-1889
			220's & 224's	1	A1-3235-H-1906
			RS-21-230	1	A1-3235-G-1905
			RS-23-240	1	A5-3235-S-1865 (2)
43	Thrust washer-side gear		210's, 220's, 224's	2	1229-Z-3172
			RS-21-230	2	1229-G-4661
			RS-23-240	2	1229-B-3174
44	Side gears	L.H. short hub	RS-15-210	1	2234-L-1130
		R.H. long hub	RS-15-210	1	2234-M-1131
		L.H. short hub	220's & 224's	1	2234-T-1086
		R.H. long hub	220's & 224's	1	2234-S-1085
		L.H. short hub	RS-21-230	1	2234-K-1077
		R.H. long hub	RS-21-230	1	2234-M-1079
		L.H. short hub	RS-23-240	1	2234-X-1090
R.H. long hub	RS-23-240	1	2234-W-1089		
45	Spider-differential cross		RS-15-210	1	3278-Z-104
			220's & 224's	1	3278-D-82
			RS-21-230	1	3278-S-305
			RS-23-240	1	3278-Q-1031

(1) Includes Item numbers 38, 39, 40, 41, 41A, 41B, 42 & 50.

(2) Includes Item numbers 38, 39, 40, 41, 41A, 41B, 42, 43, 44, 45, 46, 47, & 50.

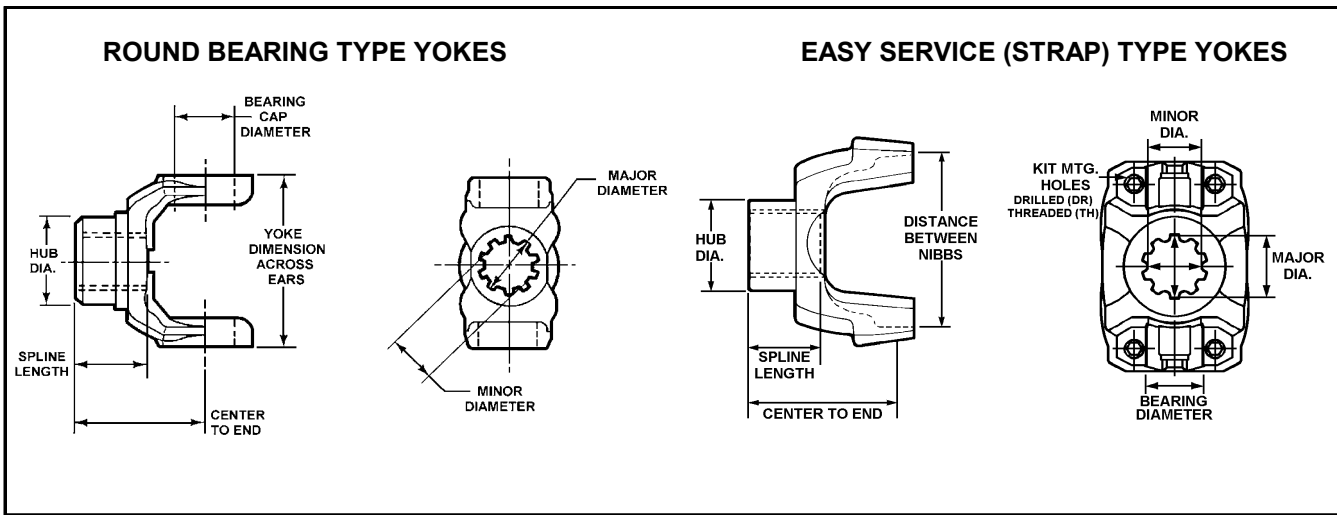
TWO SPEED AXLES (Continued)

Item	Description	Remarks	Model	Qty.	Part Number
46	Gear-differential pinion		RS-15-210	4	2233-Q-1031
			220's & 224's	4	2233-M-1027
			RS-21-230	4	2233-J-1024
			RS-23-240	4	2233-P-1030
47	Thrust washer-differential pinion		RS-15-210	4	1229-Q-2877
			220's & 224's	4	1229-L-1026
			RS-21-230	4	1229-R-1032
			RS-23-240	4	1229-A-3173
48	No-Spin diff. assy. (Serviced as assembly only. Replaces Items 43-47.)	1.75"-34 spline	RS-15-210	1	A-3230-R-1032
		1.85"-36 spline	RS-17-220	1	A-3230-S-1033
		2.00"-39 spline	RS-21-230	1	A-3230-X-1038
		2.10"-41 spline	RS-23-240	1	A-3230-W-1037
49	Thrust washer-differential case		210's, 220's, 224's	1	1229-Z-3172
			RS-21-230	1	1229-G-4661
			RS-23-240	1	1229-B-3174
50	Capscrew-differential case		All	12	41-X-1149
51	Support case-plain half (R.H.)		RS-15-210	1	3280-P-8310
			220's & 224's	1	3280-G-8301
			RS-21-230	1	3280-H-8302
			RS-23-240	1	3280-J-8304
52	Cone-differential bearing (R.H.)		210's, 220's, 224's	1	JLM714149
			230'S & 240'S	1	JM716649
53	Cup-differential bearing (R.H.)		210's, 220's, 224's	1	JLM714110
			230'S & 240'S	1	JM716610

HOUSING ASSEMBLY PARTS

Item	Description	Remarks	Model	Qty.	Part Number
54	Axle-housing assy.		All	1	As specified
55	Axle shafts			2	See axle shaft section
56	Capscrew-carrier to housing		RS-15-210	12	S-2814-2
		Short	All except 210's	8	10-X-1594
		Long	All except 210's	4	S-21020A-2
57	Washer-carrier to housing		RS-15-210	12	1229-C-1511
			All except 210's	12	1229-U-1503
58	Gasket-carrier to housing (Silastic)		All	as req.	2297-A-7021
59	Plugs-magnetic		All	2	1250-E-473
60	Plug-heat indicator		All	1	P-28
61	Breather assembly-housing		All	1	A-1199-P-1394

TWO SPEED YOKES



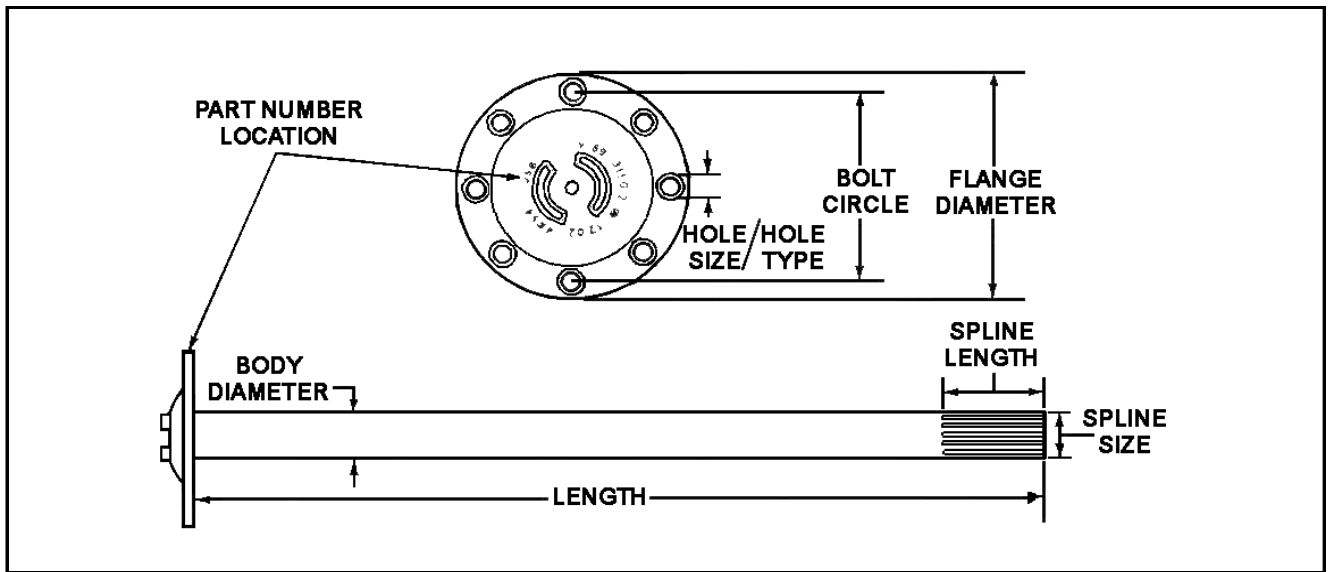
1.75" (44.45) - 34 Spline Size, Hub Size 2.50"

Axle Models	Type	Series	Dimensions-Inches (mm)					Part Number	Production Number
			Across Ears	Brg. Dia.	Kit Mtg. Hole	Spline Length	Ctr. To End		
All except RS-23-240	Round bearing with strap	148D	4.184 (106.3)	1.375 (34.9)	.392 dia. (9.96) DR	2.25 (57.2)	4.47 (113.4)	148DYS28A	A-3280-H-8068
		155D	4.965 (126.1)	1.375 (34.9)	.392 dia. (9.96) DR	2.25 (57.2)	4.66 (118.3)	155DYS28-1A	A-3260-N-248
16T		5.311 (134.9)	1.875 (47.64)	3/8-24 TH	2.25 (57.2)	4.88 (124)	16TYS28-13A	A-3260-J-1232	
17T		6.185 (157.1)	1.94 (49.2)	1/2-20 TH	2.25 (57.2)	4.88 (124)	17TYS28-57A	A-3260-N-1236	

2.00" (50.80) - 39 Spline Size, Hub Size 3.00"

Axle Models	Type	Series	Dimensions-Inches (mm)					Part Number	Production Number
			Across Ears	Brg. Dia.	Kit Mtg. Hole	Spline Length	Ctr. To End		
RS-23-240 only	Round bearing with strap	148T	4.184 (106.3)	1.375 (34.9)	3/8-24 TH	2.25 (57.2)	4.75 (120.7)	148TYS32-4A1	A1-3260-S-1241
		16T	5.31 (134.9)	1.875 (47.64)	3/8-24 TH	2.25 (57.2)	4.88 (124)	16TYS32-86A	A-3260-K-1233
		17T	6.185 (157.1)	1.94 (49.2)	1/2-20 TH	2.25 (57.2)	4.88 (124)	17TYS32-55A	A-3260-F-1228
			6.185 (157.1)	1.94 (49.2)	1/2-20 TH	2.25 (57.2)	5.16 (131.1)	17N-4-7631-1X	A-3260-R-1292
		18T	7.625 (193.68)	1.94 (49.2)	1/2-20 TH	2.25 (57.2)	5.19 (131.83)	18TYS32-12A1	A1-3260-N-1262
	Full round bearing	16N	5.31 (134.9)	1.875 (47.64)	N/A	2.25 (57.2)	5.54 (140.72)	16N-4-6281X	A-3260-G-111
		17N	6.185 (157.1)	1.94 (49.2)	N/A	2.25 (57.2)	5.16 (131.1)	17NYS32-100A	A1-3260-Q-121

AXLE SHAFTS



SHAFT CHART

Model	Remarks	Part Number
RS-15-210	L.H.	3202-E-9001
	R.H.	3202-F-9002
RS-15-220, RS-17-220, RS-19-220	L.H.	3202-L-8904
	R.H.	3202-J-8902
RS-17-224, RS-19-224	L.H.	3206-P-1602
	R.H.	3206-Q-1603
RS-17-224, RS-19-224	L.H.	3206-K-1623
	R.H.	3206-L-1624
RS-21-230	Std. Hub	3202-W-8915
	Short Hub	3202-Q-8935
RS-23-240	Std. Hub	3202-Y-8917
	Short Hub	3202-S-8937

TWO SPEED AXLE SHAFTS

Meritor Part Number	Meritor Forging Number	Body Dia. (in.)	Length (in.)	Spline Size (in.)	Spline Length (in.)	Flange Dia. (in.)	Number of Holes	Hole Size (in.)	Bolt Circle (in.)
3202-J-8902	3202-H-8900	1.80	41.54	1.85-36	2.00	6.25	12	.50	5.25
3202-L-8904	3202-K-8903	1.80	40.28	1.85-36	2.00	6.25	12	.50	5.25
3202-W-8915	3202-V-8914	1.94	40.91	2.00-39	2.48	8.38	8	.73	7.00
3202-Y-8917	3202-X-8916	2.04	41.29	2.10-41	2.36	8.38	8	.73	7.00
3202-Q-8935	3202-P-8934	1.94	40.15	2.00-39	2.36	8.38	8	.73	7.00
3202-S-8937	3202-R-8936	2.04	40.45	2.10-41	2.36	8.38	8	.73	7.00
3202-E-9001	3202-C-8999	1.62	38.60	1.75-34	2.25	6.25	8	.50	5.31
3202-F-9002	3202-D-9000	1.62	37.26	1.75-34	2.25	6.25	8	.50	5.31
3206-P-1602	3206-N-1600	1.88	39.78	1.85-36	2.13	8.38	8	.73	7.00
3206-Q-1603	3206-N-1600	1.88	41.02	1.85-36	2.13	8.38	8	.73	7.00
3206-K-1623	3206-J-1622	1.88	40.63	1.85-36	2.13	8.38	8	.73	7.00
3206-L-1624	3206-J-1622	1.88	41.87	1.85-36	2.13	8.38	8	.73	7.00

NOTE: All shafts listed above have: Hole Type - Taper
No - Puller Holes,
No - Lube Holes.

TWO SPEED REPAIR KIT REFERENCES

Axle Models		Carriers	Kit Number	Descriptions
RS-15-210	Single Axle	3200-H-1568	KIT 2323	Main differential nest with spider
			KIT 2324	Main differential nest without spider
			KIT 2343	Pinion bearing spacers
			KIT 2344	Two speed repair kit
			KIT 2345	Shift fork and boot repair kit
			KIT 2346	Planetary pinion gear repair kit (non-needle bearing)
			KIT 2361	Shift fork pin & plugs
			KIT 2365	Pinion bearing cage shims
			KIT 2455	Two speed repair kit
			KIT 2636	Drive pinion nut & washer
			KIT 2653	Planetary pinion repair kit (needle bearing style)
			KIT 4360	Bearing and seal kit
			RS-15-220 RS-17-220 RS-19-220 RS-17-224 RS-19-224	Single Axle
KIT 2326	Main differential nest without spider			
KIT 2343	Pinion bearing spacers			
KIT 2347	Two speed repair kit			
KIT 2348	Planetary pinion gear repair kit (non-needle bearing)			
KIT 2349	Shift fork and boot repair kit			
KIT 2361	Shift fork pin & plugs			
KIT 2365	Pinion bearing cage shims			
KIT 2456	Two speed repair kit			
KIT 2636	Drive pinion nut & washer			
KIT 2650	Planetary pinion repair kit (needle bearing style)			
KIT 2682	Needle bearing repair kit			
KIT 4365	Bearing and seal kit			
KIT RS17220	Overhaul kit			
RS-21-230	Single Axle	3200-D-1564		
			KIT 2328	Main differential nest without spider
			KIT 2343	Pinion bearing spacers
			KIT 2350	Two speed repair kit
			KIT 2351	Shift fork and boot repair kit
			KIT 2352	Planetary pinion gear repair kit (non-needle bearing)
			KIT 2361	Shift fork pin & plugs
			KIT 2365	Pinion bearing cage shims
			KIT 2457	Two speed repair kit
			KIT 2636	Drive pinion nut & washer
			KIT 2651	Planetary pinion repair kit (needle bearing style)
			KIT 2683	Needle bearing repair kit
			KIT 4370	Bearing and seal kit
			KIT RS20230	Overhaul kit
			RS-23-240	Single Axle
KIT 2330	Main differential nest without spider			
KIT 2332	Pinion bearing cage shims			
KIT 2336	Pinion bearing spacers			
KIT 2353	Two speed repair kit			
KIT 2354	Shift fork and boot repair kit			
KIT 2355	Planetary pinion gear repair kit (non-needle bearing)			
KIT 2361	Shift fork pin & plugs			
KIT 2458	Two speed repair kit			
KIT 2637	Drive pinion nut & washer			
KIT 2652	Planetary pinion repair kit (needle bearing style)			
KIT 2684	Needle bearing repair kit			
KIT 4375	Bearing and seal kit			
KIT RS23240	Overhaul kit			

TWO SPEED KITS

KIT 2323

Part Number	Qty.	Description	Remarks
1229-Q-2877	4	Washer-pinion thrust	Main differential kit for RS-15-210 with spider.
2233-Q-1031	4	Gear-differential pinion	
3278-Z-104	1	Spider-differential cross	
2234-L-1130	1	Gear side-L.H. short hub	
2234-M-1131	1	Gear side-R.H. long hub	
1229-Z-3172	2	Washer-side gear thrust	

KIT 2324

Part Number	Qty.	Description	Remarks
1229-Q-2877	4	Washer-pinion thrust	Main differential kit for RS-15-210 less spider.
2233-Q-1031	4	Gear-differential pinion	
2234-L-1130	1	Gear side-L.H. short hub	
2234-M-1131	1	Gear side-R.H. long hub	
1229-Z-3172	2	Washer-side gear thrust	

KIT 2325

Part Number	Qty.	Description	Remarks
1229-L-1026	4	Washer-pinion thrust	Main differential kit for 220's & 224's with spider.
2233-M-1027	4	Gear-differential pinion	
3278-D-82	1	Spider-differential cross	
2234-T-1086	1	Gear side-L.H. short hub	
2234-S-1085	1	Gear side-R.H. long hub	
1229-Z-3172	2	Washer-side gear thrust	

KIT 2326

Part Number	Qty.	Description	Remarks
1229-L-1026	4	Washer-pinion thrust	Main differential kit for 220's & 224's less spider.
2233-M-1027	4	Gear-differential pinion	
2234-T-1086	1	Gear side-L.H. short hub	
2234-S-1085	1	Gear side-R.H. long hub	
1229-Z-3172	2	Washer-side gear thrust	

KIT 2327

Part Number	Qty.	Description	Remarks
1229-R-1032	4	Washer-pinion thrust	Main differential kit for RS-21-230 with spider.
2233-J-1024	4	Gear-differential pinion	
3278-S-305	1	Spider-differential cross	
2234-K-1077	1	Gear side-L.H. short hub	
2234-M-1079	1	Gear side-R.H. long hub	
1229-G-4661	2	Washer-side gear thrust	

KIT 2328

Part Number	Qty.	Description	Remarks
1229-R-1032	4	Washer-pinion thrust	Main differential kit for RS-21-230 less spider.
2233-J-1024	4	Gear-differential pinion	
2234-K-1077	1	Gear side-L.H. short hub	
2234-M-1079	1	Gear side-R.H. long hub	
1229-G-4661	2	Washer-side gear thrust	

TWO SPEED KITS

KIT 2329

Part Number	Qty.	Description	Remarks
1229-A-3173	4	Washer-pinion thrust	Main differential kit for RS-23-240 with spider.
2233-P-1030	4	Gear-differential pinion	
3278-Q-1031	1	Spider-differential cross	
2234-X-1090	1	Gear side-L.H. short hub	
2234-W-1089	1	Gear side-R.H. long hub	
1229-B-3174	2	Washer-side gear thrust	

KIT 2330

Part Number	Qty.	Description	Remarks
1229-A-3173	4	Washer-pinion thrust	Main differential kit for RS-23-240 with spider.
2233-P-1030	4	Gear-differential pinion	
2234-X-1090	1	Gear side-L.H. short hub	
2234-W-1089	1	Gear side-R.H. long hub	
1229-B-3174	2	Washer-side gear thrust	

KIT 2332

Part Number	Qty.	Description	Remarks
2203-D-9052	3	Shim-pinion cage .003 thick	Shim kit for RS-23-240.
2203-E-9053	2	Shim-pinion cage .005 thick	
2203-F-9054	1	Shim-pinion cage .010 thick	

KIT 2336

Part Number	Qty.	Description	Remarks
2203-C-9103	2	Shim-pinion bearing .360 thick	Spacer kit for RS-23-240.
2203-D-9104	2	Shim-pinion bearing .361 thick	
2203-E-9105	2	Shim-pinion bearing .362 thick	
2203-F-9106	2	Shim-pinion bearing .363 thick	
2203-G-9107	2	Shim-pinion bearing .364 thick	
2203-H-9108	2	Shim-pinion bearing .365 thick	
2203-J-9110	2	Shim-pinion bearing .372 thick	
2203-K-9111	2	Shim-pinion bearing .378 thick	
2203-L-9112	2	Shim-pinion bearing .385 thick	
2203-M-9113	2	Shim-pinion bearing .391 thick	
2203-N-9114	2	Shim-pinion bearing .398 thick	

KIT 2343

Part Number	Qty.	Description	Remarks
2203-D-9156	2	Shim-pinion bearing .234 thick	Spacer kit for RS-15-210, RS-15-220, RS-17-220, RS-17-224, RS-19-224, RS-21-230.
2203-E-9157	2	Shim-pinion bearing .235 thick	
2203-F-9158	2	Shim-pinion bearing .236 thick	
2203-G-9159	2	Shim-pinion bearing .237 thick	
2203-H-9160	2	Shim-pinion bearing .238 thick	
2203-J-9162	2	Shim-pinion bearing .239 thick	
2203-K-9163	2	Shim-pinion bearing .244 thick	
2203-L-9164	2	Shim-pinion bearing .250 thick	
2203-M-9165	2	Shim-pinion bearing .256 thick	
2203-N-9166	2	Shim-pinion bearing .262 thick	
2203-P-9168	2	Shim-pinion bearing .268 thick	

TWO SPEED KITS

KIT 2344 (with hardware)

Part Number	Qty.	Description	Remarks
1246-J-1024	1	Roll pin	Two speed repair kit for RS-15-210.
41-X-1158	4	Capscrew	
3280-T-8314	1	Plate-clutch	
3892-H-4844	1	Gear-sun	
3280-R-8312	1	Case-support L.H.	

KIT 2345

Part Number	Qty.	Description	Remarks
A-3296-J-1024	1	Shift fork assy.	Shift fork and boot repair kit for RS-15-210.
1246-L-1026	1	Pin	
A-3280-M-8307	1	Boot assy.	

KIT 2346

Part Number	Qty.	Description	Remarks
3198-C-1017	4	Shaft-pinion	Planetary pinion gear repair kit for RS-15-210.
1229-K-3183	8	Washer-planetary pinion	
1246-K-1025	4	Pin-roll	
3892-G-4843	4	Gear-planetary pinion	

KIT 2347 (with hardware)

Part Number	Qty.	Description	Remarks
1246-J-1024	1	Roll pin	Two speed repair kit for RS-15-220, RS-17-220, RS-19-220, RS-17-224, RS-19-224.
41-X-1157	4	Capscrew	
3280-A-8321	1	Plate-clutch	
3892-J-4846	1	Gear-sun	
3280-W-8317	1	Case-support L.H.	

KIT 2348

Part Number	Qty.	Description	Remarks
3198-U-1009	4	Shaft-pinion	Planetary pinion gear repair kit for RS-15-220, RS-17-220, RS-19-220, RS-17-224, RS-19-224.
1229-K-3183	8	Washer-planetary pinion	
1246-H-1022	4	Pin-roll	
3892-M-4849	4	Gear-planetary pinion	

KIT 2349

Part Number	Qty.	Description	Remarks
A-3296-L-1026	1	Shift fork assy.	Shift fork and boot repair kit for 220's & 224's.
1246-L-1026	1	Pin	
A-3280-M-8307	1	Boot assy.	

KIT 2350 (with hardware)

Part Number	Qty.	Description	Remarks
1246-H-1022	1	Roll pin	Two speed repair kit for RS-21-230.
44-X-1066	4	Stud-clutch plate	
42-X-1076	4	Dowel-clutch plate	
40-X-1091	4	Nut-clutch plate	
42-X-1078	4	Washer-clutch plate	
3280-H-8328	1	Plate-clutch	
3892-K-4847	1	Gear-sun	
3280-Y-8319	1	Case-support L.H.	

TWO SPEED KITS

KIT 2351

Part Number	Qty.	Description	Remarks
A-3296-N-1028	1	Shift fork assy.	Shift fork and boot repair kit for RS-21-230.
1246-L-1026	1	Pin	
A-3280-M-8307	1	Boot assy.	

KIT 2352

Part Number	Qty.	Description	Remarks
3198-V-1010	4	Shaft-pinion	Planetary pinion gear repair kit for RS-21-230.
1229-K-3183	8	Washer-planetary pinion	
1246-H-1022	4	Pin-roll	
3892-N-4850	4	Gear-planetary pinion	

KIT 2353 (with hardware)

Part Number	Qty.	Description	Remarks
1246-H-1022	1	Roll pin	Two speed repair kit for RS-23-240.
44-X-1066	4	Stud-clutch plate	
42-X-1076	4	Dowel-clutch plate	
40-X-1091	4	Nut-clutch plate	
42-X-1078	4	Washer-clutch plate	
3280-L-8306	1	Plate-clutch	
3892-L-4848	1	Gear-sun	
3280-U-8315	1	Case-support L.H.	

KIT 2354

Part Number	Qty.	Description	Remarks
A-3296-Q-1031	1	Shift fork assy.	Shift fork and boot repair kit for RS-23-240.
1246-L-1026	1	Pin	
A-3280-M-8307	1	Boot assy.	

KIT 2355

Part Number	Qty.	Description	Remarks
3198-W-1011	4	Shaft-pinion	Planetary pinion gear repair kit for RS-23-240.
1229-H-3180	8	Washer-planetary pinion	
1246-H-1022	4	Pin-roll	
3892-U-2803	4	Gear-planetary pinion	

KIT 2361

Part Number	Qty.	Description	Remarks
1246-L-1026	1	Pin-shift fork	Shift fork pin and plugs kit for all models.
1250-J-1024	2	Plug-shift fork pin	

KIT 2365

Part Number	Qty.	Description	Remarks
2203-S-9171	1	Shim-pinion bearing cage .003 thick	Shim kit for all except RS-23-240.
2203-Q-9169	3	Shim-pinion bearing cage .005 thick	
2203-R-9170	2	Shim-pinion bearing cage .010 thick	

KIT 2455 (without hardware)

Part Number	Qty.	Description	Remarks
3280-T-8314	1	Plate-clutch	Two speed repair kit for RS-15-210. Neutral stroke length has been modified. Do not mix parts.
3892-H-4844	1	Gear-sun	
3280-R-8312	1	Case-support L.H.	

TWO SPEED KITS

KIT 2456 (without hardware)

Part Number	Qty.	Description	Remarks
3280-A-8321	1	Plate-clutch	Two speed repair kit for RS-17-220 & RS-19-220. Neutral stroke length has been modified. Do not mix parts.
3892-J-4846	1	Gear-sun	
3280-W-8317	1	Case-support L.H.	

KIT 2457 (without hardware)

Part Number	Qty.	Description	Remarks
3280-H-8328	1	Plate-clutch	Two speed repair kit for RS-21-230. Neutral stroke length has been modified. Do not mix parts.
3892-K-4847	1	Gear-sun	
3280-Y-8319	1	Case-support L.H.	

KIT 2458 (without hardware)

Part Number	Qty.	Description	Remarks
3280-L-8306	1	Plate-clutch	Two speed repair kit for RS-23-240. Neutral stroke length has been modified. Do not mix parts.
3892-L-4848	1	Gear-sun	
3280-U-8315	1	Case-support L.H.	

KIT 2636

Part Number	Qty.	Description	Remarks
40-X-1236	1	Locknut	Hardware kit for drive pinion. For all models except RS-23-240.
1229-A-2653	1	Washer	

KIT 2637

Part Number	Qty.	Description	Remarks
40-X-1237	1	Locknut	Hardware kit for drive pinion. For RS-23-240.
1229-T-1736	1	Washer	

KIT 2650

Part Number	Qty.	Description	Remarks
3892-S-4855	4	Gear-planetary pinion	Planetary pinion repair kit for RS-15-220, RS-17-220, RS-19-220, RS-17-224, RS-19-224.
3198-Z-1014	4	Shaft-planetary pinion	
1229-W-3195	8	Washer-thrust planetary pinion	
1246-H-1022	4	Pin-roll	
2203-E-9599	4	Spacer-needle bearing	
2297-C-5177	200	Bearing-needle	

KIT 2651

Part Number	Qty.	Description	Remarks
3892-Q-4853	4	Gear-planetary pinion	Planetary pinion repair kit for RS-21-230.
3198-X-1012	4	Shaft-planetary pinion	
1229-W-3195	8	Washer-thrust planetary pinion	
1246-H-1022	4	Pin-roll	
2203-C-9597	4	Spacer-needle bearing	
2297-C-5177	200	Bearing-needle	

TWO SPEED KITS

KIT 2652

Part Number	Qty.	Description	Remarks
3892-R-4854	4	Gear-planetary pinion	Planetary pinion repair kit for RS-23-240.
3198-Y-1013	4	Shaft-planetary pinion	
1229-V-3194	8	Washer-thrust planetary pinion	
1246-H-1022	4	Pin-roll	
2203-D-9598	4	Spacer-needle bearing	
2297-D-5178	224	Bearing-needle	

KIT 2653

Part Number	Qty.	Description	Remarks
3892-T-4856	4	Gear-planetary pinion	Planetary pinion repair kit for RS-15-210.
3198-A-1015	4	Shaft-planetary pinion	
1229-W-3195	8	Washer-thrust planetary pinion	
1246-K-1025	4	Pin-roll	
2203-E-9599	4	Spacer-needle bearing	
2297-E-5179	200	Bearing-needle	

KIT 2682

Part Number	Qty.	Description	Remarks
2203-E-9599	4	Spacer-needle bearing	Needle bearing repair kit for 220's and 224's.
2297-C-5177	200	Bearing-needle	

KIT 2683

Part Number	Qty.	Description	Remarks
2203-C-9597	4	Spacer-needle bearing	Needle bearing repair kit for RS-21-230.
2297-C-5177	200	Bearing-needle	

KIT 2684

Part Number	Qty.	Description	Remarks
2203-D-9598	4	Spacer-needle bearing	Needle bearing repair kit for RS-23-240.
2297-D-5178	224	Bearing-needle	

KIT 4360

Part Number	Qty.	Description	Remarks
M804010	1	Cup-pinion bearing outer	Bearing and seal kit for RS-15-210.
M804049	1	Cone-pinion bearing outer	
55437	1	Cup-pinion bearing inner	
55200C	1	Cone-pinion bearing inner	
1228-H-580	1	Bearing-spigot	
1228-L-1130	1	Cup-main differential bearing L.H.	
A-1228-L-1130	1	Cone-main differential bearing L.H.	
JLM714110	1	Cup-main differential bearing R.H.	
JLM714149	1	Cone-main differential bearing R.H.	
A-1205-D-1928	1	Seal-pinion oil	

TWO SPEED KITS

KIT 4365

Part Number	Qty.	Description	Remarks
M804010	1	Cup-pinion bearing outer	Bearing and seal kit for 220's and 224's.
M804049	1	Cone-pinion bearing outer	
55437	1	Cup-pinion bearing inner	
55200C	1	Cone-pinion bearing inner	
1228-F-552	1	Bearing-spigot	
42584	1	Cup-main differential bearing L.H.	
42381	1	Cone-main differential bearing L.H.	
JLM714110	1	Cup-main differential bearing R.H.	
JLM714149	1	Cone-main differential bearing R.H.	
A-1205-D-1928	1	Seal-pinion oil	

KIT 4370

Part Number	Qty.	Description	Remarks
HM804810	1	Cup-pinion bearing outer	Bearing and seal kit for RS-21-230.
HM804846	1	Cone-pinion bearing outer	
55437	1	Cup-pinion bearing inner	
55200C	1	Cone-pinion bearing inner	
1228-E-1045	1	Bearing-spigot	
52618	1	Cup-main differential bearing L.H.	
52400	1	Cone-main differential bearing L.H.	
JM716610	1	Cup-main differential bearing R.H.	
JM716649	1	Cone-main differential bearing R.H.	
A-1205-D-1928	1	Seal-pinion oil	

KIT 4375

Part Number	Qty.	Description	Remarks
55437	1	Cup-pinion bearing outer	Bearing and seal kit for RS-23-240.
55206C	1	Cone-pinion bearing outer	
78551	1	Cup-pinion bearing inner	
78225C	1	Cone-pinion bearing inner	
1228-E-1045	1	Bearing-spigot	
JP12010	1	Cup-main differential bearing L.H.	
JP12049	1	Cone-main differential bearing L.H.	
JM716610	1	Cup-main differential bearing R.H.	
JM716649	1	Cone-main differential bearing R.H.	
A-1205-N-2588	1	Assy.-oil seal	

TWO SPEED KITS

KIT RS17220

Part Number	Qty.	Description	Remarks
1229-L-1026	4	Washer-pinion thrust	Overhaul kit for 220's and 224's.
2233-M-1027	4	Gear-differential pinion	
3278-D-82	1	Spider-differential cross	
2234-T-1086	1	Gear side-L.H. short hub	
2234-S-1085	1	Gear side-R.H. long hub	
1229-Z-3172	2	Washer-side gear thrust	
2203-D-9156	2	Spacer-pinion bearing .234 thick	
2203-E-9157	2	Spacer-pinion bearing .235 thick	
2203-F-9158	2	Spacer-pinion bearing .236 thick	
2203-G-9159	2	Spacer-pinion bearing .237 thick	
2203-H-9160	2	Spacer-pinion bearing .238 thick	
2203-J-9162	2	Spacer-pinion bearing .239 thick	
2203-K-9163	2	Spacer-pinion bearing .244 thick	
2203-L-9164	2	Spacer-pinion bearing .250 thick	
2203-M-9165	2	Spacer-pinion bearing .256 thick	
2203-N-9166	2	Spacer-pinion bearing .262 thick	
2203-P-9168	2	Spacer-pinion bearing .268 thick	
2203-Q-9169	3	Shim-pinion bearing cage .005 thick	
2203-R-9170	2	Shim-pinion bearing cage .010 thick	
2203-S-9171	1	Shim-pinion bearing cage .003 thick	
M804010	1	Cup-pinion bearing outer	
M804049	1	Cone-pinion bearing outer	
55437	1	Cup-pinion bearing inner	
55200C	1	Cone-pinion bearing inner	
1228-F-552	1	Bearing-spigot	
42584	1	Cup-main differential bearing L.H.	
42381	1	Cone-main differential bearing L.H.	
JLM714110	1	Cup-main differential bearing R.H.	
JLM714149	1	Cone-main differential bearing R.H.	
A-1205-D-1928	1	Seal-pinion oil	

TWO SPEED KITS

KIT RS20230

Part Number	Qty.	Description	Remarks
1229-R-1032	4	Washer-pinion thrust	Overhaul kit for RS-20-230.
2233-J-1024	4	Gear-differential pinion	
3278-S-305	1	Spider-differential cross	
2234-K-1077	1	Gear side-L.H. short hub	
2234-M-1079	1	Gear side-R.H. long hub	
1229-G-4661	2	Washer-side gear thrust	
2203-D-9156	2	Spacer-pinion bearing .234 thick	
2203-E-9157	2	Spacer-pinion bearing .235 thick	
2203-F-9158	2	Spacer-pinion bearing .236 thick	
2203-G-9159	2	Spacer-pinion bearing .237 thick	
2203-H-9160	2	Spacer-pinion bearing .238 thick	
2203-J-9162	2	Spacer-pinion bearing .239 thick	
2203-K-9163	2	Spacer-pinion bearing .244 thick	
2203-L-9164	2	Spacer-pinion bearing .250 thick	
2203-M-9165	2	Spacer-pinion bearing .256 thick	
2203-N-9166	2	Spacer-pinion bearing .262 thick	
2203-P-9168	2	Spacer-pinion bearing .268 thick	
2203-Q-9169	3	Shim-pinion bearing cage .005 thick	
2203-R-9170	2	Shim-pinion bearing cage .010 thick	
2203-S-9171	1	Shim-pinion bearing cage .003 thick	
HM804810	1	Cup-pinion bearing outer	
HM804846	1	Cone-pinion bearing outer	
55437	1	Cup-pinion bearing inner	
55200C	1	Cone-pinion bearing inner	
1228-E-1045	1	Bearing-spigot	
52618	1	Cup-main differential bearing L.H.	
52400	1	Cone-main differential bearing L.H.	
JM716610	1	Cup-main differential bearing R.H.	
JM716649	1	Cone-main differential bearing R.H.	
A-1205-D-1928	1	Seal-pinion oil	

TWO SPEED KITS

KIT RS23240

Part Number	Qty.	Description	Remarks
1229-A-3173	4	Washer-pinion thrust	Overhaul kit for RS-23-240.
2233-P-1030	4	Gear-differential pinion	
3278-Q-1031	1	Spider-differential cross	
2234-X-1090	1	Gear side-L.H. short hub	
2234-W-1089	1	Gear side-R.H. long hub	
1229-B-3174	2	Washer-side gear thrust	
2203-D-9052	3	Shim-pinion cage .003 thick	
2203-E-9053	2	Shim-pinion cage .005 thick	
2203-F-9054	1	Shim-pinion cage .010 thick	
2203-C-9103	2	Spacer-pinion bearing .360 thick	
2203-D-9104	2	Spacer-pinion bearing .361 thick	
2203-E-9105	2	Spacer-pinion bearing .362 thick	
2203-F-9106	2	Spacer-pinion bearing .363 thick	
2203-G-9107	2	Spacer-pinion bearing .364 thick	
2203-H-9108	2	Spacer-pinion bearing .365 thick	
2203-J-9110	2	Spacer-pinion bearing .372 thick	
2203-K-9111	2	Spacer-pinion bearing .378 thick	
2203-L-9112	2	Spacer-pinion bearing .385 thick	
2203-M-9113	2	Spacer-pinion bearing .391 thick	
2203-N-9114	2	Spacer-pinion bearing .398 thick	
55437	1	Cup-pinion bearing outer	
55206C	1	Cone-pinion bearing outer	
78551	1	Cup-pinion bearing inner	
78225C	1	Cone-pinion bearing inner	
1228-E-1045	1	Bearing-spigot	
JP12010	1	Cup-main differential bearing L.H.	
JP12049	1	Cone-main differential bearing L.H.	
JM716610	1	Cup-main differential bearing R.H.	
JM716649	1	Cone-main differential bearing R.H.	
A-1205-J-2558	1	Assy.-oil seal	

NUMERICAL PARTS LIST

Part Number	Page	Part Number	Page	Part Number	Page
10-X-1594	9	2203-F-9106	5	3198-Z-1014	8
40-X-1091	7	2203-G-9107	5	3198-A-1015	8
40-X-1093	6	2203-H-9108	5	3198-C-1017	8
41-X-1149	9	2203-J-9110	5	A2-3200-D-1564	6
41-X-1150	6	2203-K-9111	5	A2-3200-F-1566	6
41-X-1151	7	2203-L-9112	5	A2-3200-H-1568	6
41-X-1152	7	2203-M-9113	5	A2-3200-D-1616	6
41-X-1153	7	2203-N-9114	5	3202-J-8902	11
41-X-1154	7	2203-D-9156	5	3202-L-8904	11
41-X-1155	6	2203-E-9157	5	3202-W-8915	11
41-X-1157	7	2203-F-9158	5	3202-Y-8917	11
41-X-1158	7	2203-G-9159	5	3202-Q-8935	11
42-X-1021	6	2203-H-9160	5	3202-S-8937	11
42-X-1076	7	2203-J-9162	5	3202-E-9001	11
42-X-1078	7	2203-K-9163	5	3202-F-9002	11
44-X-1066	7	2203-L-9164	5	3206-P-1602	11
A-1199-P-1394	9	2203-M-9165	5	3206-Q-1603	11
1199-R-2176	6	2203-N-9166	5	3206-K-1623	11
A-1205-D-1928	5	2203-P-9168	5	3206-L-1624	11
A-1205-N-2588	5	2203-Q-9169	5	A-3226-R-1058	5
1227-D-1278	6	2203-R-9170	5	A-3226-S-1059	5
1228-F-552	6	2203-S-9171	5	A-3226-U-1061	5
1228-H-580	6	2203-C-9597	8	A-3230-R-1032	9
1228-E-1045	6	2203-D-9598	8	A-3230-S-1033	9
1228-L-1130	7	2203-E-9599	8	A-3230-W-1037	9
A-1228-L-1130	7	2214-B-1042	7	A-3230-X-1038	9
1229-L-1026	9	2214-D-1044	7	A4-3235-S-1865	8
1229-R-1032	9	2214-F-1046	7	A5-3235-S-1865	8
1229-W-1167	6	2214-H-1048	7	A1-3235-Q-1889	8
1229-A-1301	6	2214-K-1051	7	A-3235-Q-1889	8
1229-U-1503	9	2214-M-1053	7	A3-3235-Q-1889	8
1229-C-1511	9	2233-J-1024	9	A4-3235-Q-1889	8
1229-Q-2877	9	2233-M-1027	9	A1-3235-G-1905	8
1229-Z-3172	8, 9	2233-P-1030	9	A-3235-G-1905	8
1229-A-3173	9	2233-Q-1031	9	A3-3235-G-1905	8
1229-B-3174	8, 9	2234-K-1077	9	A4-3235-G-1905	8
1229-H-3180	8	2234-M-1079	9	A1-3235-H-1906	8
1229-K-3183	8	2234-S-1085	9	A-3235-H-1906	8
1229-V-3194	8	2234-T-1086	9	A3-3235-H-1906	8
1229-W-3195	8	2234-W-1089	9	A4-3235-H-1906	8
1229-G-4661	8, 9	2234-X-1090	9	A-3260-G-111	10
1246-H-1022	7, 8	2234-L-1130	9	A1-3260-Q-121	10
1246-J-1024	7	2234-M-1131	9	A-3260-N-248	10
1246-K-1025	8	2297-T-4180	7	A-3260-F-1228	10
1246-L-1026	7	2297-C-5177	8	A-3260-J-1232	10
1250-E-473	9	2297-D-5178	8	A-3260-K-1233	10
1250-J-1024	7	2297-E-5179	8	A-3260-N-1236	10
2203-D-9052	5	2297-A-7021	9	A1-3260-S-1241	10
2203-E-9053	5	3198-U-1009	8	A1-3260-N-1262	10
2203-F-9054	5	3198-V-1010	8	A-3260-R-1292	10
2203-C-9103	5	3198-W-1011	8	3278-D-82	9
2203-D-9104	5	3198-X-1012	8	3278-Z-104	9
2203-E-9105	5	3198-Y-1013	8	3278-S-305	9

NUMERICAL PARTS LIST

Part Number	Page	Part Number	Page	Part Number	Page
3278-Q-1031	9	A-39698-1	6	KIT 2329	12, 14
A-3280-H-8068	10	A-39700-1	6	KIT 2330	12, 14
3280-G-8301	9	A-39702-1	6	KIT 2332	5, 12, 14
3280-H-8302	9	A-39704-1	6	KIT 2336	5, 12, 14
3280-J-8304	9	A-39706-1	6	KIT 2343	5, 12, 14
3280-L-8306	7	A-39726-1	6	KIT 2344	12, 15
A-3280-M-8307	7	A-39728-1	6	KIT 2345	12, 15
3280-P-8310	9	A-39730-1	6	KIT 2346	12, 15
3280-R-8312	7	A-39732-1	6	KIT 2347	12, 15
3280-T-8314	7	A-39734-1	6	KIT 2348	12, 15
3280-U-8315	7	A-39738-1	6	KIT 2349	12, 15
3280-W-8317	7	A-39740-1	6	KIT 2350	12, 15
3280-Y-8319	7	A-39742-1	6	KIT 2351	12, 16
3280-A-8321	7	A-39744-1	6	KIT 2352	12, 16
3280-H-8328	7	A-39746-1	6	KIT 2353	12, 16
A-3296-J-1024	7	A-39766-1	6	KIT 2354	12, 16
A-3296-L-1026	7	A-39768-1	6	KIT 2355	12, 16
A-3296-N-1028	7	A-39770-1	6	KIT 2361	12, 16
A-3296-Q-1031	7	A-39772-1	6	KIT 2365	5, 12, 16
3892-U-2803	8	A-39776-1	6	KIT 2455	7, 12, 16
3892-G-4843	8	A-39780-1	6	KIT 2456	7, 12, 17
3892-H-4844	7	A-39926-1	6	KIT 2457	7, 12, 17
3892-J-4846	7	A-39928-1	6	KIT 2458	7, 12, 17
3892-K-4847	7	A-39930-1	6	KIT 2636	5, 12, 17
3892-L-4848	7	A-39952-1	6	KIT 2637	5, 12, 17
3892-M-4849	8	A-39954-1	6	KIT 2650	12, 17
3892-N-4850	8	A-39956-1	6	KIT 2651	12, 17
3892-Q-4853	8	A-39958-1	6	KIT 2652	12, 18
3892-R-4854	8	A-39962-1	6	KIT 2653	12, 18
3892-S-4855	8	A-39964-1	6	KIT 2682	12, 18
3892-T-4856	8	A-39968-1	6	KIT 2683	12, 18
148DYS28A	10	A-39970-1	6	KIT 2684	12, 18
148TYS32-4A1	10	A-39974-1	6	KIT 4360	12, 18
155DYS28-1A	10	A-40012-1	6	KIT 4365	12, 19
16N-4-6281X	10	A-40014-1	6	KIT 4370	12, 19
16TYS28-13A	10	A-40016-1	6	KIT 4375	12, 19
16TYS32-86A	10	DEFR40-4	5	KIT RS17220	12, 20
17N-4-7631-1X	10	DEFR50-7	5	KIT RS20230	12, 21
17NYS32-100A	10	HM804810	5	KIT RS23240	12, 22
17TYS28-57A	10	HM804846	5	M804010	5
17TYS32-55A	10	JLM714110	9	M804049	5
18TYS32-12A1	10	JLM714149	9	MS-212040-1	5
42381	7	JM716610	9	MS-216110-1	6
42584	7	JM716649	9	MS-216130-1	6
52400	7	JP12010	7	MS-220130-1	6
52618	7	JP12049	7	MWA-512	5
55200C	5	KIT 2323	12, 13	MWA-516	6
55206C	5	KIT 2324	12, 13	P-28	9
55437	5	KIT 2325	12, 13	S-2814-2	9
78225C	5	KIT 2326	12, 13	S-21020A-2	9
78551	5	KIT 2327	12, 13	SN-714-1	7
A-39696-1	6	KIT 2328	12, 13	WALM7-2	6

ARVINMERITOR AFTERMARKET PARTS WARRANTY

We warrant all new parts for one year from date of shipment to the buyer against defective material or workmanship (but not against damage caused by accident, abuse or improper installation, maintenance or repair) when such parts are used on vehicles the specifications of which have been approved by our Engineering Department.

As the exclusive remedy under this warranty, we will, at our option, repair or replace such parts free of charge, or take back the nonconforming parts and refund the monies paid by buyer for such parts, if found on examination by us to be nonconforming and if any necessary return charges are prepaid.

If it is necessary to return any parts under this warranty, buyer agrees not to make any deduction on account thereof from remittances on current accounts while claims are in the process of disposition. Any expense incurred without our consent for repairs or replacement will not be allowed.

THIS WARRANTY IS EXPRESSLY IN LIEU OF ALL OTHER WARRANTIES OR CONDITIONS, EXPRESS, IMPLIED OR STATUTORY, INCLUDING ANY IMPLIED WARRANTY OF MERCHANTABILITY OR FITNESS FOR PARTICULAR PURPOSE. IN NO EVENT SHALL SELLER BE LIABLE FOR INCIDENTAL OR CONSEQUENTIAL DAMAGES OF ANY NATURE.

Only genuine ArvinMeritor replacement parts are covered by this aftermarket parts warranty.

Information contained in this publication was in effect at the time the publication was approved for printing and is subject to change without notice or liability. ArvinMeritor, Inc. reserves the right to revise the information presented or discontinue the production of parts at any time.

ArvinMeritor[™]

Commercial Vehicle Aftermarket

Meritor Heavy Vehicle Systems, LLC

7975 Dixie Highway
Florence, KY 41042 USA
888-725-9355

<http://www.arvinmeritor.com>

© 2002
ArvinMeritor, Inc.
All Rights Reserved

Printed in the U.S.A.

Revised 11-02 (07503)
PB-92126