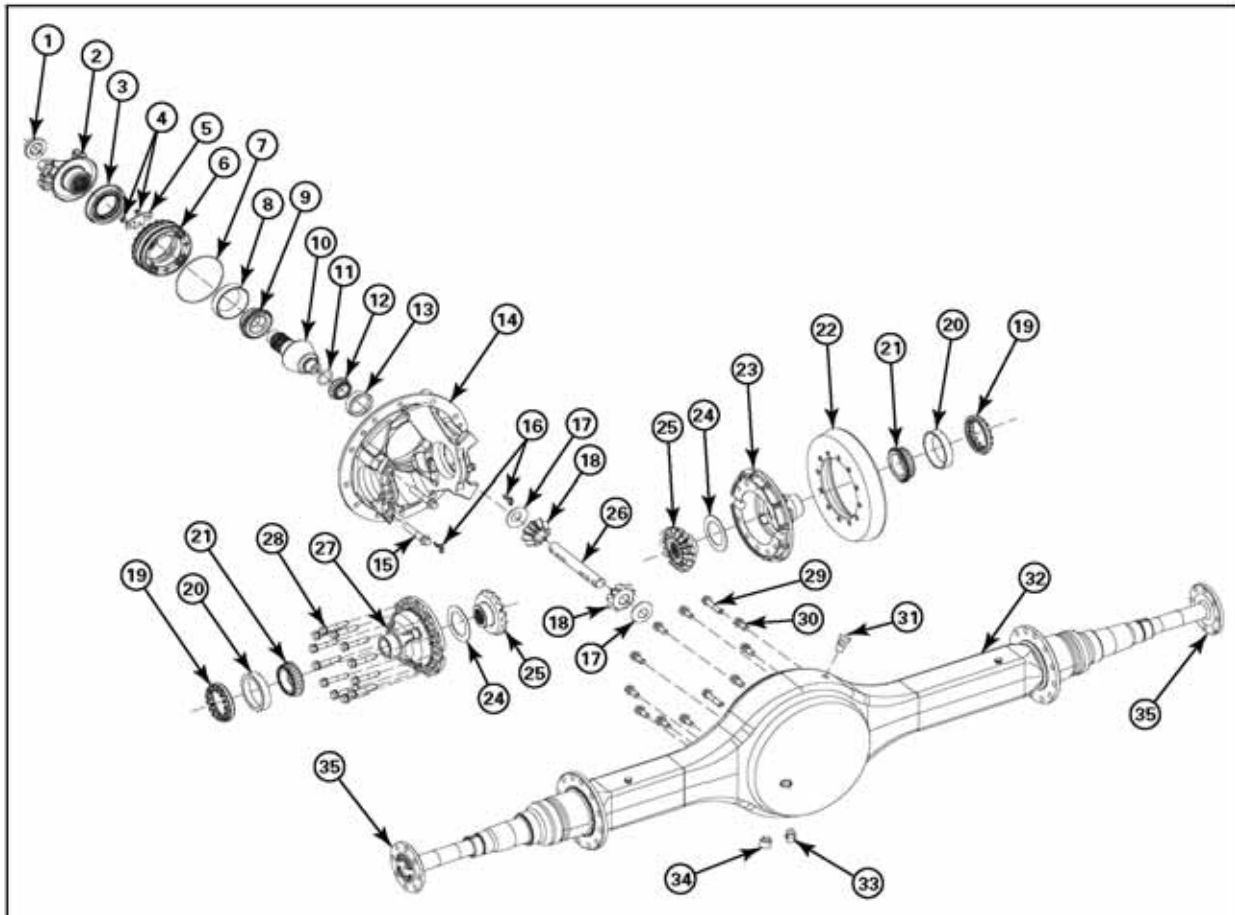




MS-113 Medium Duty Single Reduction Axle 10,000/11,000/12,000 lb. GAWR



Item	Part No.	Description	Comments	Qty.
1	1227-Q-1291	Nut - Lock Pinion		1
2	155TYS28-49A	Yoke & Deflector Assy.	155 Series	1
	A-3260-Z-1872	Yoke & Deflector Assy.	148 Series	1
NA	2297-R-6934	Deflector		1
NA	2297-S-6935	Adhesive		---
3	A-1205-D-1928	Seal Assy - Oil		1
4	41-X-1464	Screw		2
5	1220-Y-1039	Lock		1
6	A-3226-G-1073	Cage Assy - Pinion		1
7	5-X-1304	O-Ring		1
8	HM803110	Cup - Bearing		1
9	HM803149	Cone - Bearing, Outer		1

Item	Part No.	Description	Comments	Qty.
10, 22	A-40484-1 3.07	Gear and Pinion Assy (Includes 1227-Q-1291 nut)	1.79"-34 teeth	1 as reqd.
	A-40486-1 3.15			
	A-40488-1 3.31			
	A-40490-1 3.42			
	A-40492-1 3.58			
	A-40494-1 3.73			
	A-40496-1 3.91			
	A-41896-1 4.10			
	A-41898-1 4.30			
	A-41900-1 4.56			
	A-41902-1 4.78			
	A-40482-1 5.13			
	A-41904-1 5.38			
	A-41906-1 5.86			
A-41908-1 6.14				
11	2803-A-3225	Shim (1.000 mm thick)	Available in KIT 2578	as reqd.
	2803-B-3226	Shim (1.040 mm thick)		
	2803-C-3227	Shim (1.080 mm thick)		
	2803-D-3228	Shim (1.120 mm thick)		
	2803-E-3229	Shim (1.160 mm thick)		
	2803-F-3230	Shim (1.200 mm thick)		
	2803-G-3231	Shim (1.240 mm thick)		
	2803-H-3232	Shim (1.280 mm thick)		
	2803-J-3234	Shim (1.320 mm thick)		
	2803-K-3235	Shim (1.360 mm thick)		
	2803-L-3236	Shim (1.400 mm thick)		
	2803-M-3237	Shim (1.440 mm thick)		
	2803-N-3238	Shim (1.480 mm thick)		
	2803-P-3240	Shim (1.520 mm thick)		
12	M86649	Cone - Bearing, Inner		1
13	M86610	Cup - Bearing, Inner		1
14	A2-3200-B-1588 (1)	Carrier - Diff & Cap Assy		1
	A2-3200-M-2067 (2)	Carrier - Diff & Cap Assy	Parking Brake Ready	1
15	41-X-1466	Bolt / Capscrew		2
16	2297-Q-6933	Cotter		2
17	1229-L-1026	Washer - Thrust, Fin		2
18	2233-U-1191	Pinion - Diff, Fin		2
19	2214-S-1059	Ring - Bearing Adj, Fin		2
20	28622	Cup - Bearing		2
21	28682	Cone - Bearing		2
23	3235-L-2222	Case - Flange Half (RH)	Use A-3235-L-2222 (all ratios)	1
24	1229-M-4875	Washer - Thrust, Semi-Fin		2
25	2234-Z-1170	Gear - Diff Side, Fin	1.6"-37 teeth	2
26	3198-F-1020	Shaft - Pinion, Fin		1
27	3235-J-2220	Case - Plain Half (LH)	Use A-3235-L-2222 (all ratios)	1
28	41-X-1465	Capscrew		12
29	41-X-1703	Capscrew - Carrier to Housing (Long)		2
30	41-X-1704	Capscrew - Carrier to Housing (Short)		10
31	A-1199-P-1394	Breather		1
32	As specified	Housing Assy (See Page 4)		1
33	1250-E-473	Plug - Magnetic (Fill & Level)		1
34	1250-E-473	Plug - Magnetic (Drain)		1
35	As specified	Axle Shafts (See Page 4)		2

(1) Complete new carrier assembly (less yoke, std. nest) is A1-3200-B-1588 plus ratio.

(2) Complete new carrier assembly (less yoke, std. nest) for Parking Brake ready is A1-3200-M-2067 plus ratio.

A-3235-L-2222**Diff. Case Assy. (Less Nest)**

Item No.	Part No.	Qty.	Description
23	3235-L-2222	1	Case-Flange Half (RH)
27	3235-J-2220	1	Case-Plain Half (LH)
28	41-X-1465	12	Capscrew

A1-3235-L-2222**Diff. Case Assy. (With Nest)**

Item No.	Part No.	Qty.	Description
17	1229-L-1026	2	Pinion Thrust Washer
18	2233-U-1191	2	Pinion
23	3235-L-2222	1	Case-Flange Half (RH)
24	1229-M-4875	2	Side Gear Thrust Washer
25	2234-Z-1170	2	Side Gear
26	3198-F-1020	1	Pinion Shaft
27	3235-J-2220	1	Case-Plain Half (LH)
28	41-X-1465	12	Capscrew

KIT 2578**Shim Kit**

Item No.	Part No.	Qty.	Description
11	2803-A-3225	1	Shim (1.000 mm thick)
	2803-B-3226	1	Shim (1.040 mm thick)
	2803-C-3227	1	Shim (1.080 mm thick)
	2803-D-3228	1	Shim (1.120 mm thick)
	2803-E-3229	1	Shim (1.160 mm thick)
	2803-F-3230	1	Shim (1.200 mm thick)
	2803-G-3231	1	Shim (1.240 mm thick)
	2803-H-3232	1	Shim (1.280 mm thick)
	2803-J-3234	1	Shim (1.320 mm thick)
	2803-K-3235	1	Shim (1.360 mm thick)
	2803-L-3236	1	Shim (1.400 mm thick)
	2803-M-3237	1	Shim (1.440 mm thick)
	2803-N-3238	1	Shim (1.480 mm thick)
2803-P-3240	1	Shim (1.520 mm thick)	

KIT 2579**Diff. Nest Kit**

Item No.	Part No.	Qty.	Description
17	1229-L-1026	2	Pinion Thrust Washer
18	2233-U-1191	2	Pinion
24	1229-M-4875	2	Side Gear Thrust Washer
25	2234-Z-1170	2	Side Gear
26	3198-F-1020	1	Pinion Shaft

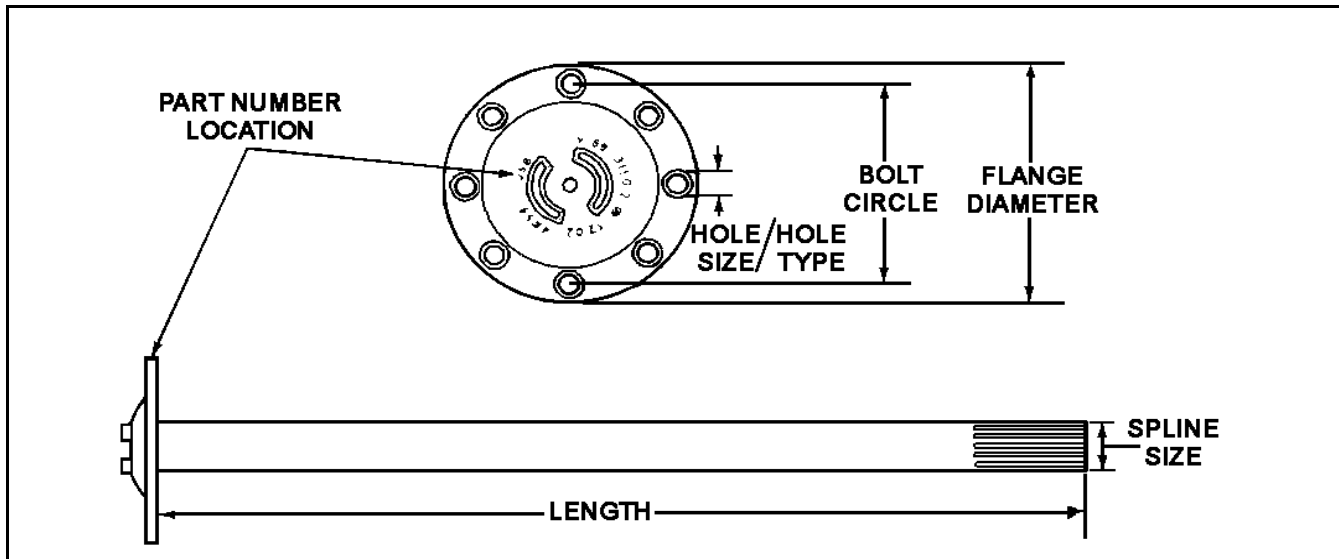
KIT 4753**Bearing and Seal Kit**

Item No.	Part No.	Qty.	Description
3	A-1205-D-1928	1	Input Pinion Seal
8	HM803110	1	Outer Pinion Bearing Cup
9	HM803149	1	Outer Pinion Bearing Cone
12	M86649	1	Inner Pinion Bearing Cone
13	M86610	1	Inner Pinion Bearing Cup
20	28622	2	Differential Bearing Cup
21	28682	2	Differential Bearing Cone

HOUSINGS (3)

Item	Application	Track	Part Number
32	Dual Tire	Narrow	C3121-D-2578S
		Standard	C3121-C-2577S
	Single Tire	Narrow	C3121-Q-2851S
		Standard	C3121-R-2852S

AXLE SHAFTS

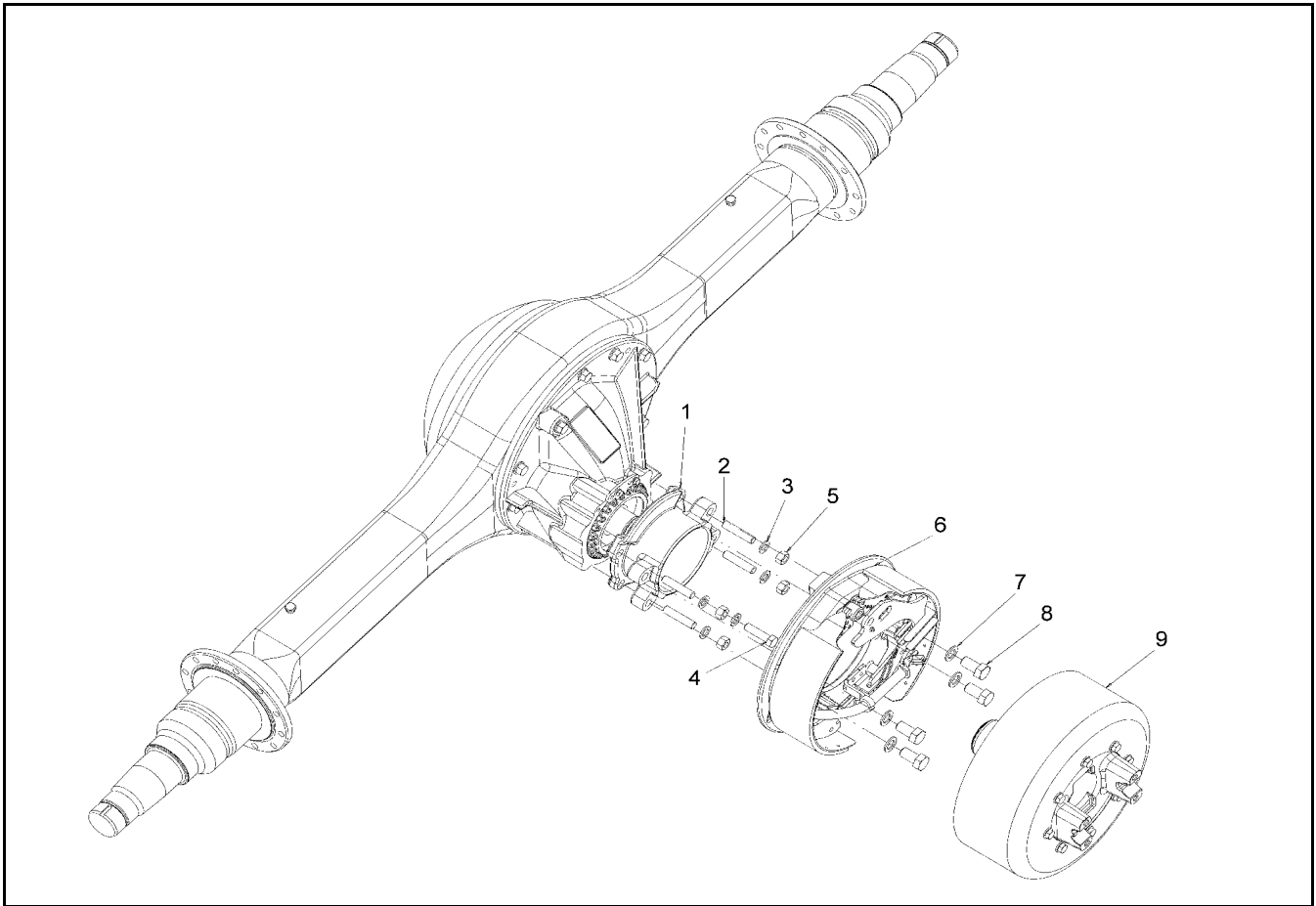


Item	Application	Track	Size	Part Number	Length	Spline Size	Flange Dia.	Hole Size			Bolt Circle
								No.	Dia.	Type	
35	Dual Tire	Narrow	Short	3206-M-1859	33.96	1.6"-37	5.16"	8	.51"	Straight	4.33"
			Long	3206-N-1860	39.07	1.6"-37	5.16"	8	.51"	Straight	4.33"
		Standard	Short	3206-P-1862	35.61	1.6"-37	5.16"	8	.51"	Straight	4.33"
			Long	3206-Q-1863	40.73	1.6"-37	5.16"	8	.51"	Straight	4.33"
	Single Tire	Narrow	Short	3206-P-1940	39.52	1.6"-37	5.16"	8	.51"	Straight	4.33"
			Long	3206-R-1942	44.64	1.6"-37	5.16"	8	.51"	Straight	4.33"
Standard	Short	Short	3206-T-1944	40.83	1.6"-37	5.16"	8	.51"	Straight	4.33"	
		Long	3206-V-1946	45.96	1.6"-37	5.16"	8	.51"	Straight	4.33"	

(3) See individual axle assembly bills of material for additional housing options.

For additional information regarding the MS-113 Axle, see Maintenance Manual MM-0230 and Product Profile SP-02156.

PARKING BRAKE ASSEMBLY



Item	Part No.	Description	Qty.
1	3268-E-1877	Adapter - Brake, Finish	1
2	44-X-1234	Stud - Metric	4
3	1229-C-1511	Washer	5
4	MS-212045-1	Capscrew	1
5	MN-312-1	Nut	4
6	3236-M-2691	Brake Assy.	1
7	1229-U-1503	Washer - Flat	4
8	MS-216030-2	Capscrew	4
9	155TYSB28-50A	Yoke & Drum Assy.	1
9A	155TYSB28-50	Yoke Assy.	1
9B	3219-Y-5901	Drum	1



Meritor Heavy Vehicle Systems, LLC
7975 Dixie Highway
Florence, KY 41042 USA
888-725-9355
www.arvinmeritor.com
XpresswayPlus.arvinmeritor.com

Information contained in this publication was in effect at the time the publication was approved for printing and is subject to change without notice or liability. ArvinMeritor reserves the right to revise the information presented or discontinue the production of parts described at any time.

Copyright 2010
ArvinMeritor, Inc.

Printed in U.S.A.

Revised 4/2010
PB-0341