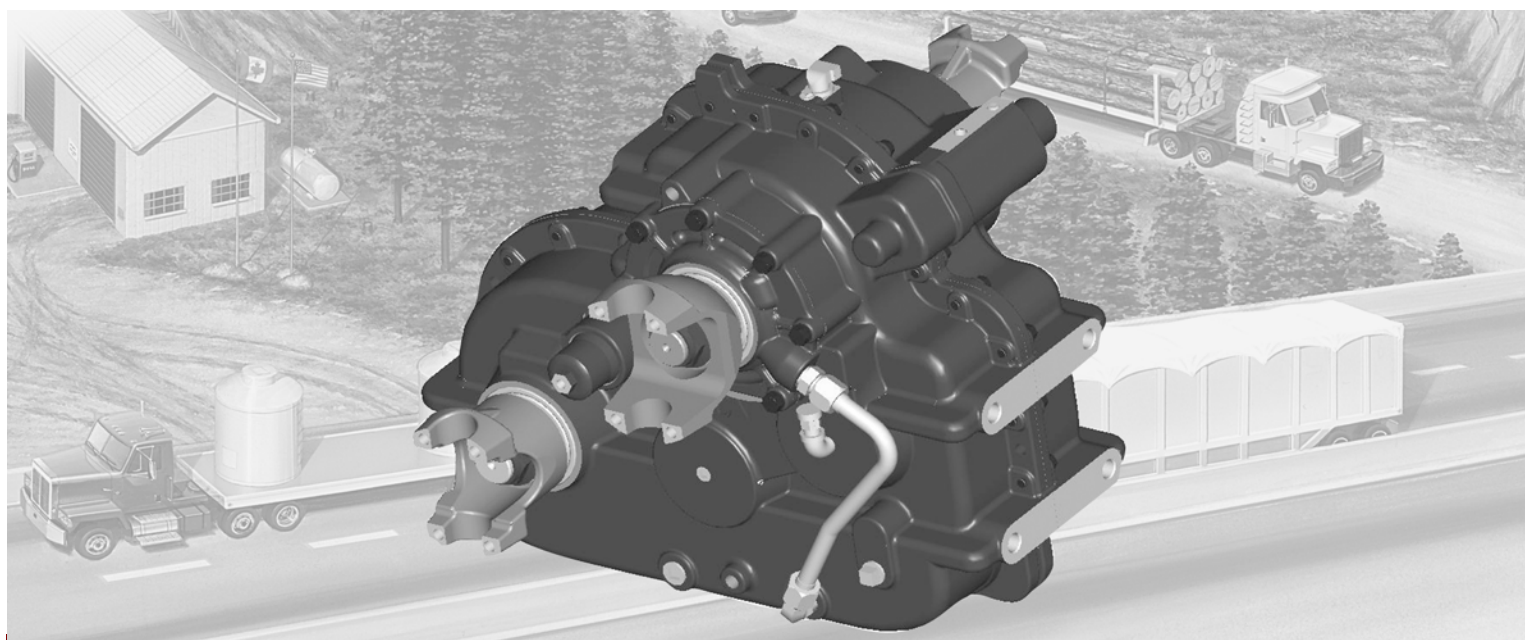


MTC-4213

Transfer Case

Catalog PB-0229



Strength • Power • Speed • Agility

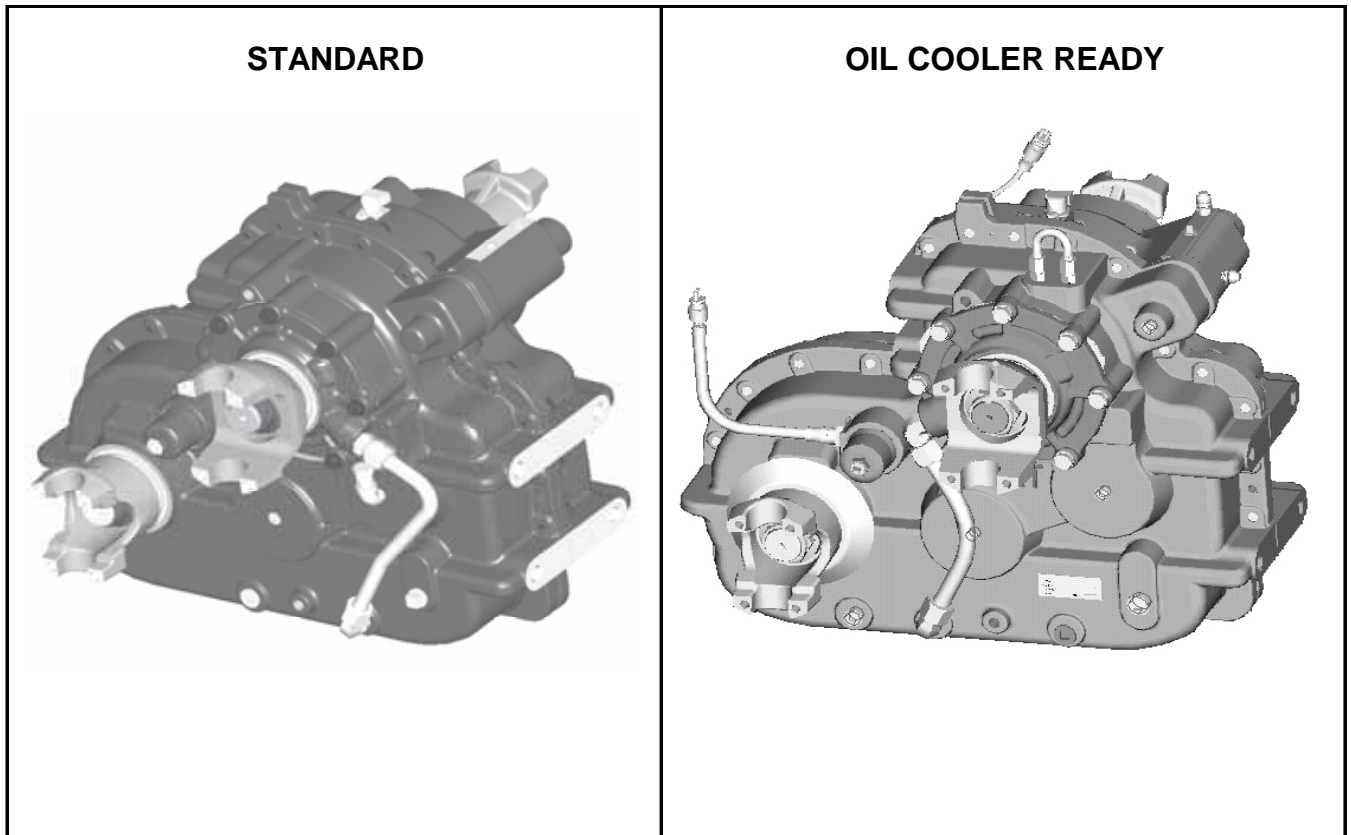
M E R I T O R P A R T S . R I G H T F R O M T H E S T A R T .

Introduction

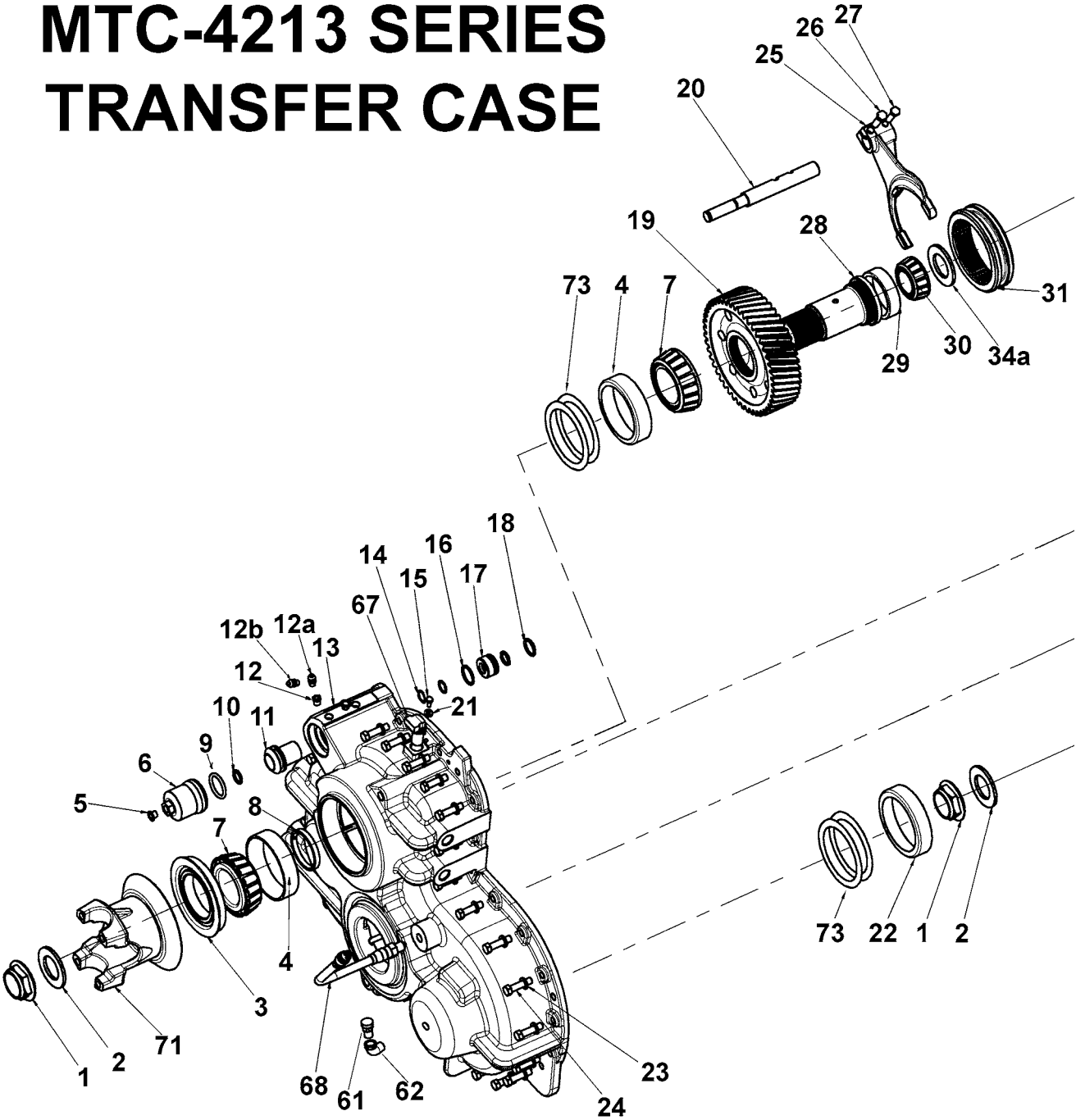
- To find the part you need to order, match the item number on the exploded view with the item number in the parts list.
- For service parts, contact ArvinMeritor Commercial Vehicle Aftermarket, 888-725-9355. In Canada, 800-668-3508/option 7.
- All Meritor gears and shafts are marked with the check letter and final digits of the part number; for example , F-5024 or X-2442.
- When you service gears, Meritor recommends that you replace all mating gears.
- Service kits include parts to service different models covered by this publication. Kits may include extra parts you do not need. In addition to kits, individual parts are also available. Kits and parts can be ordered through Meritor's Florence, KY or Brampton, Ontario distribution centers.
- You must use the correct tools and maintenance procedures. For MTC-4208 thru 4213 transfer cases, use general service instructions from Meritor Maintenance Manual MM0146, *Transfer Cases*. To order these publications, call Meritor's Customer Service Center at 800-535-5560.

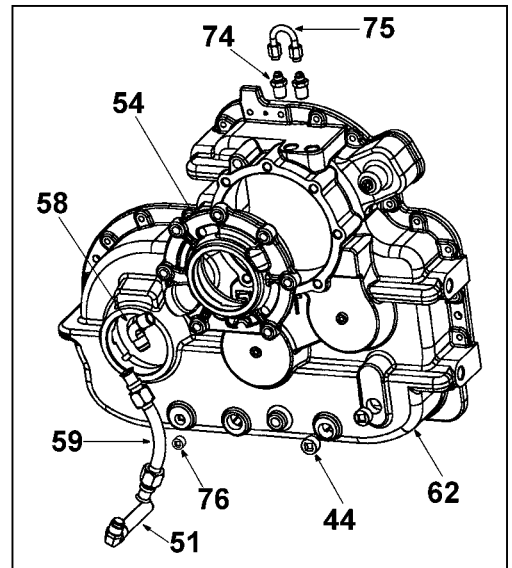
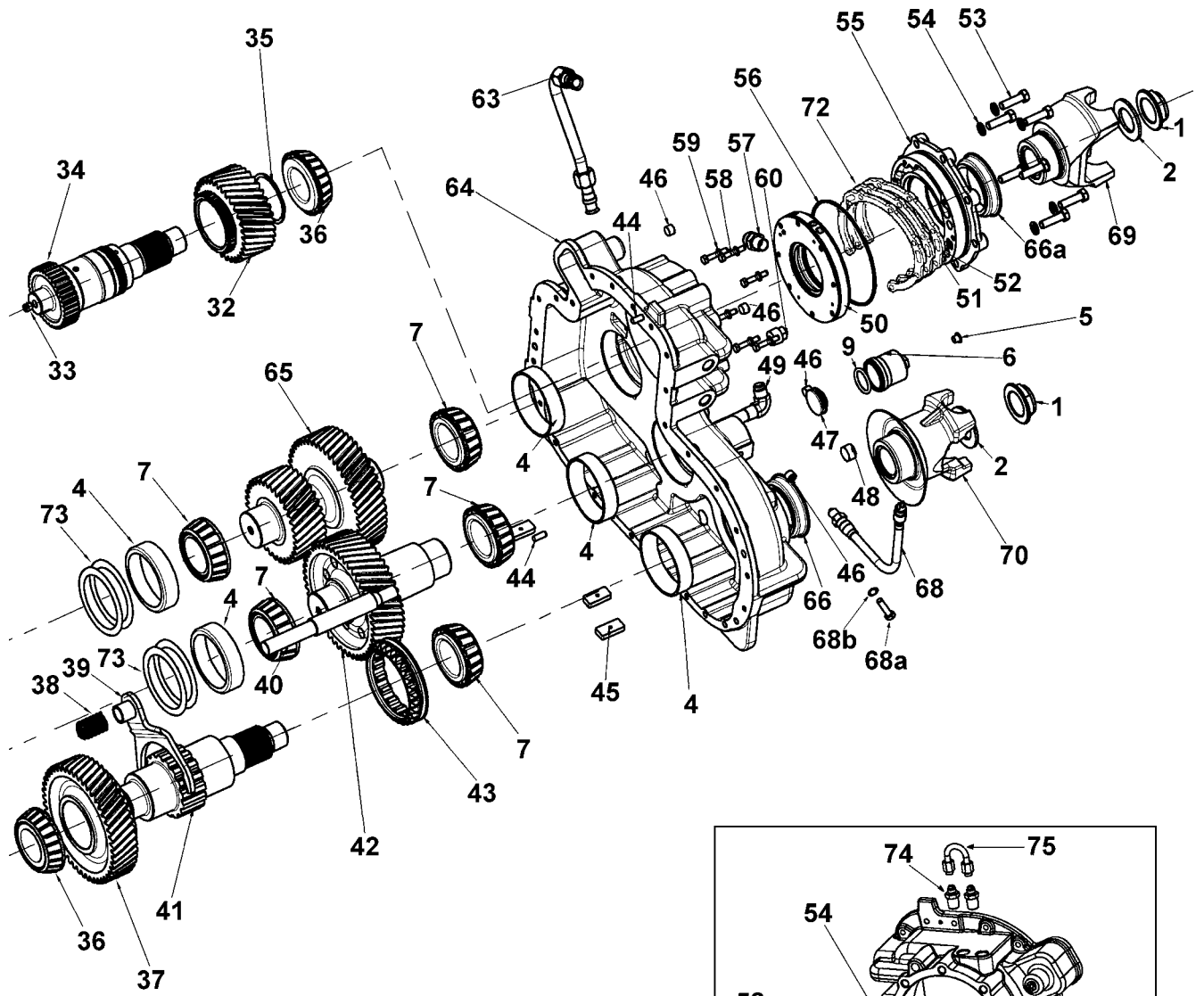
Table of Contents

MTC-4213 Transfer Case Exploded View.....	2
Parts List.....	4
Service Kits.....	6
Seal Replacement Chart.....	8
Yokes.....	8



MTC-4213 SERIES TRANSFER CASE





**Oil Cooler Ready
Components View**

MTC-4213 SERIES TRANSFER CASE

Item	Part Name	Qty.	Part Number	Description
1	Lock Nut	4	40-X-1233	M45 x 1.5 thd.
2	Washer	4	1229-N-1730	1.79" ID x 3.00" OD x .19" wide
3	Unitized Seal - Rear Output	1	R945010	3.25" ID x 5.51" OD x .86" long
4	Bearing Cup	7	HM212011	4.8125" OD cup
5	Plug (Shipping)	3	1779-F-344	
6	Shift Cylinder	2	3261-A-1067	
7	Bearing Cone	7	HM212049	2.625" ID cone
8	Spacer	1	2803-D-3124	.362" Thick
9	O-Ring	2	5-X-1326	1.459" ID x .208" thick
10	O-Ring	2	5-X-1290	.734" ID x .139" thick
11	Piston (Outer)	1	2230-Q-1369	
12	Reducer Bushing	1	2206-Q-1447	
12a	Neutral Breather	1	A-1199-C-1043	
12b	Blow-by Breather	1	A-1199-C-1043	Use with 3289-E-1097 cover only
13	Cover - Transfer	1	3289-K-1077	Replaced by 3289-E-1097
		1	3289-E-1097	Thicker wall
14	Snap Ring	2	1229-A-4857	.689" ID
15	Capscrew (Speed Sensor Retainer)	1	S244-2	
16	O-Ring (Outer)	1	5-X-1292	1.17" ID x .139" thick
17	Piston (Inner)	1	2230-T-1346	
18	O-Ring (Housing)	2	5-X-1291	.984" ID x .139" thick
19	High Input Gear	1	3892-F-5674	
20	Shift Shaft	1	2244-T-1190	
21	Washer (Speed Sensor Retainer)	1	1229-X-5094	
22	Bearing Cup	1	HM813810	5.00" OD cup
23	Washer	26	1229-E-1513	.47" ID x .81" OD x .09" wide
24	Capscrew	26	S2714A-2	7/16"-14 thd x 1.75"
25	Shift Fork	1	3296-Q-1317	
26	Bolt/Capscrew	1	S1712A-2	
27	Bolt/Capscrew	1	S1612A-2	
28	Shaft - Rear Output	1	3297-V-1452	
29	Bearing Cup	1	NP682041	Pocket bearing
30	Bearing Cone	1	NP674708	Pocket bearing
31	Collar - Clutch	1	3107-K-1181	
32	Gear - Input (Low)	1	3892-T-5662	
33	Plug - Oil Restriction	1	1250-M-1313	.090" orifice
34	Shaft - Input	1	3297-T-1450	Requires Spacer 2803-J-3312. Replaced by 3297-J-1544.
		1	3297-J-1544	Replaces Input Shaft 3297-T1450 and Spacer 2803-J-3312. Service with KIT 2591
34a	Spacer	1	2803-J-3312	For use with 3297-T-1450 Input Shaft only.
35	Snap Ring	1	1229-J-4950	Use with shafts 3297-T-1450 or 3297-T-1528 only.
		1	1229-P-4800	Use with shaft 3297-J-1544 only.
36	Bearing Cone	2	HM813843	2.4375" ID cone
37	Gear - Front Output	1	3892-Z-5668	
38	Spring	1	2258-U-411	
39	Fork-Shift	1	3296-Z-1326	Replaces A-3296-A-1093
40	Push Rod	1	2244-S-1189	
41	Gear - Transfer	1	3297-N-1444	
42	Shaft - Front Output	1	3892-H-5672	
43	Collar - Clutch	1	3107-J-1284	Replaces 3107-M-1183

MTC-4213 SERIES TRANSFER CASE

Item	Part Name	Qty.	Part Number	Description
44	Dowel	2	1246-T-1190	.375" dia x 1.00" long
45	Magnet	3	2297-K-6771	
46	Plug	4	P-26	3/8"-18 NPT
47	Piston	1	2230-T-1190	
48	Drain Plug - Magnetic	1	1250-E-473	3/4"-14 NPT square socket
49	Fitting Assy (Screen / Elbow)	1	A-2206-U-1347	3/4"-14 NPT
50	Pump Assy.	1	A-3303-G-1047	Replaces A-3303-P-1030. Must use A-3226-Z-1482 Input Cage.
51	Valve - Pressure Relief	1	2297-U-5273	
52	Spring - Relief Valve	1	2258-Z-1118	
53	Capscrew	7	S2814A-2	1/2"-13 thd x 1.75"
54	Washer	7	1229-C-1511	.53" ID x .88" OD x .09" wide
55	Cage - Input Bearing	1	A-3226-Z-1482	Non-Oil Cooler version
		1	A-3226-W-1479	Oil Cooler ready
56	O-Ring	1	5-X-1327	7.483" x .139" thick
57	Male Connector	1	2206-V-1348	Non-Oil Cooler version
		1	2206-C-1485	Oil Cooler ready
58	Capscrew	6	MS208045-1	M8 x 1.25
59	Washer	6	1229-E-1669	.34" ID x .62" OD x .06" wide
60	Fill Plug	1	P-212	3/4"-14 NPT
61	Breather Assy.	1	A-1199-P-1394	3/8"-18 NPT
62	Elbow	1	2206-F-1254	3/8"-18 NPT / 3/8"-18 NPT
63	Tube Assy.	1	A-2206-R-1344	Non-Oil Cooler version
		1	A-2206-A-1483	Oil Cooler ready
64	Case - Transfer	1	3290-X-1142	Non-Oil Cooler version
		1	3290-D-1200	Oil Cooler ready
65	Gear - Idler	1	3892-V-5664	
66	Unitized Seal - Forward Output	1	R945007	3.25" ID x 4.25" OD x .86" long
66a	Multiple-Lip Seal - Input Shaft	1	A1-1205-X-2728	
67	Speed Sensor	1	A-3280-U-9849	Optional
68	Engagement Sensor	2	3237-W-1167	Optional. Do not use with Special Screw (41-X-1022) and Washer (1229-U-1503)
68a	Screw - Special (Sensor Plug)	2	41-X-1022	Optional M16 x 1-6g. Special Screw and Washer used in vehicles not equipped with Engagement Sensor (3237-W-1167)
68b	Washer	2	1229-U-1503	
69	Yoke - Input	1	RAP or RCE spline code ***	2-3/8"-46T spline (No Slinger)
70	Yoke - Front Output	1		2-3/8"-46T spline (Slinger opt.)
71	Yoke - Rear Output	1		2-3/8"-46T spline (Slinger opt.)
72	Shim - .003"	Use	2203-K-9241	Input bearing cage
	Shim - .005"	As	2203-L-9242	
	Shim - .010"	Reqd.	2203-M-9243	
73	Shim - .010"	Use	2803-P-3110	Housing bearing cups
	Shim - .005"	As	2803-Q-3111	
	Shim - .003"	Reqd.	2803-R-3112	
74	Male Connector	2	2206-E-1513	1/2" NPT x 9/16" 37° Flare Oil Cooler ready
75	Loop Tube	1	A-2296-Q-1161	Oil Cooler ready - for use when cooler not connected
76	Plug	1	P-28	

*** See yokes, page 8.

MTC-4213 SERIES TRANSFER CASE

Item	Part Name	Qty.	Part Number	Description
Not Shown	Spacer - .003"	Use	2803-E-3125	2TS Rear cover bearing spacer Located next to spacer (Item 8)
	Spacer - .009"	As	2803-F-3126	
	Spacer - .015"	Reqd.	2803-G-3127	
	Spacer - .021"		2803-H-3128	

MTC-4213 SERVICE KITS

Part Name	Part Number	Quantity	Description
-----------	-------------	----------	-------------

KIT 2564

Fastener Kit

Lock Nut	40-X-1233	4	M45 x 1.5 thd.
Washer	1229-N-1730	4	1.79" ID x 3.00" OD x .19" wide
Lock Nut	40-X-1341	1	2.25"-12 thd.
Washer	1229-E-4113	1	2.28" ID x 3.25" OD x .32" wide
Capscrew (Speed Sensor Retainer)	S244-2	1	
Washer (Speed Sensor Retainer)	1229-X-5094	1	
Capscrew	S2714A-2	34	7/16"-14 thd x 1.75"
Washer - Hardened	1229-E-1513	34	
Bolt/Capscrew	S1712A-2	1	
Bolt/Capscrew	S1612A-2	1	
Plug - Oil Restriction	1250-M-1313	1	.090" orifice
Dowel	1246-T-1190	2	.375" dia x 1.00" long
Drain Plug - Magnetic	1250-E-473	1	3/4"-14 NPT square socket
Plug	P-26	4	3/8"-18 NPT
Fill Plug	P-212	1	3/4"-14 NPT
Capscrew	MS208045-1	6	M8 x 1.25
Washer - Flat	1229-E-1669	6	.34" ID x .62" OD x .06" wide
Capscrew	S-2814A-2	7	1/2"-13 thd x 1.75"
Washer - Hardened	1229-C-1511	7	.53" ID x .88" OD x .09" wide
Male Connector	2206-C-1485	1	3/4"-14 NPT / 1 1/16"-12 Flare
Screw - Special (Sensor Plug)	41-X-1022	2	Optional M16 x 1-6g
Washer	1229-U-1503	2	

KIT 2566

Shim Kit

Shim - .003"	2203-K-9241	5	Input bearing cage
Shim - .005"	2203-L-9242	5	
Shim - .010"	2203-M-9243	5	
Shim - .010"	2803-P-3110	5	Housing bearing cups
Shim - .005"	2803-Q-3111	5	
Shim - .003"	2803-R-3112	5	
Spacer - .003"	2803-E-3125	5	2TS Rear cover bearing spacer
Spacer - .009"	2803-F-3126	5	
Spacer - .015"	2803-G-3127	5	
Spacer - .021"	2803-H-3128	5	

KIT 2591

Input Shaft Kit

Shaft - Input	3297-J-1544	1	
Snap Ring	1229-P-4800	1	
Plug - Oil Restriction	1250-M-1313	1	

MTC-4213 SERVICE KITS (cont)

Part Name	Part Number	Quantity	Description
-----------	-------------	----------	-------------

KIT 2596

Shift Fork/Collar Kit

Collar - Clutch	3107-J-1284	1	
Shift Fork	3296-Z-1326	1	

KIT 2597

Seal/Snap Ring Kit

Unitized Seal - Forward Output	R945007	1	3.25" ID x 4.25" OD x .86" long
Unitized Seal - Rear Output	R945010	1	3.25" ID x 5.51" OD x .86" long
Multiple-Lip Seal - Input Shaft	A1-1205-X-2728	1	3.25" ID x 4.25" OD x .58" long
O-Ring	5-X-1326	2	1.459" ID x .208" thick
O-Ring (Inner)	5-X-1290	2	.734" ID x .139" thick
Snap Ring	1229-U-4857	2	.689" ID
O-Ring	5-X-1292	1	1.71" ID x .139" thick
O-Ring (Housing)	5-X-1291	2	.984" ID x .139" thick
O-Ring	5-X-1327	1	7.483" x .139" thick

KIT 2598

Shift Cylinder Kit

Shift Cylinder	3261-A-1067	1	
O-Ring	5-X-1326	1	
O-Ring (Inner)	5-X-1290	1	
Piston (Outer)	2230-Q-1369	1	

KIT 2599

Oil-Cooler Retrofit Kit

Case - Fin.	3290-D-1200	1	
Input Bearing Cage Assy.	A-3226-W-1479	1	
Tube Assy.	A-2296-Q-1161	1	
Tube Assy.	A-2206-A-1483	1	
Male Connector	2206-C-1485	1	3/4"-14 NPT / 1 1/16"-12 Flare
Fitting	2206-E-1513	2	1/2" NPT x 9/16" 37° Flare
Unitized Seal - Forward Output	R945007	1	3.25" ID x 4.25" OD x .86" long
Unitized Seal - Rear Output	R945010	1	3.25" ID x 5.51" OD x .86" long
Multiple-Lip Seal - Input Shaft	A1-1205-X-2728	1	3.25" ID x 4.25" OD x .58" long
O-Ring	5-X-1326	1	1.459" ID x .208" thick
O-Ring	5-X-1327	2	7.483" x .139" thick
O-Ring (Inner)	5-X-1290	1	.734" ID x .139" thick
O-Ring (Housing)	5-X-1291	2	.984" ID x .139" thick
O-Ring	5-X-1292	1	1.71" ID x .139" thick
Plug	P-28	1	

SEAL REPLACEMENT

Meritor has released the Multiple-Lip Seal (MLS) for use in the INPUT POSITION ONLY on the MTC-4208, -4210 and -4213 transfer cases. The multiple-lip seal is compatible with the current input shaft seal and can be used in service.

Transfer Case Model	Seal Position	Seal Service Part Number	Previous Seal Part Number	Seal Driver	Sleeve Driver
MTC-4208, -4210 and -4213	Input Shaft	A1-1205X2728	R945007	2728T1	2728T2
MTC-4208 and -4210	Forward and Rear Output	R945007	A-1205R2592	KIT 4454	NA
MTC-4213	Forward Output	R945007	A-1205R2592	KIT 4454	NA
MTC-4213	Rear Output	R945010	A-1205Q2591	KIT 4454	NA
MTC-4208 and -4210	PTO Seal	R945008	A-1205P2590	KIT 4454	NA

MTC-4213 YOKES

Yoke Location	ArvinMeritor Part Number	Yoke Description	Spline Size
Front Input	3260-S-1813	Easy Service	2-3/8"-46T
	see note (1)	Other styles	2-3/8"-46T
Front Output	140TYS38A	SPL140	2-3/8"-46T
	see note (1)	Other styles	2-3/8"-46T
Rear Output	140TYS38A	SPL140	2-3/8"-46T
	170TYS38-4A	SPL170	2-3/8"-46T
	see note (1)	Other styles	2-3/8"-46T

(1) Note: Other yokes under RAP and RCE spline code will fit. However, the yoke must be compatible with unitized seals. Please look up other yoke part numbers at:

www.arvinmeritor.com/products/truckandtrailer/drivelines.asp

ARVINMERITOR AFTERMARKET PARTS WARRANTY

We warrant all new parts for one year from date of shipment to the buyer against defective material or workmanship (but not against damage caused by accident, abuse or improper installation, maintenance or repair) when such parts are used on vehicles the specifications of which have been approved by our Engineering Department.

As the exclusive remedy under this warranty, we will, at our option, repair or replace such parts free of charge, or take back the nonconforming parts and refund the monies paid by buyer for such parts, if found on examination by us to be nonconforming and if any necessary return charges are prepaid.

If it is necessary to return any parts under this warranty, buyer agrees not to make any deduction on account thereof from remittances on current accounts while claims are in the process of disposition. Any expense incurred without our consent for repairs or replacement will not be allowed.

THIS WARRANTY IS EXPRESSLY IN LIEU OF ALL OTHER WARRANTIES OR CONDITIONS, EXPRESS, IMPLIED OR STATUTORY, INCLUDING ANY IMPLIED WARRANTY OF MERCHANTABILITY OR FITNESS FOR PARTICULAR PURPOSE. IN NO EVENT SHALL SELLER BE LIABLE FOR INCIDENTAL OR CONSEQUENTIAL DAMAGES OF ANY NATURE.

Only genuine ArvinMeritor replacement parts are covered by this aftermarket parts warranty.

Information contained in this publication was in effect at the time the publication was approved for printing and is subject to change without notice or liability. ArvinMeritor reserves the right to revise the information presented or discontinue the production of parts at any time.

ArvinMeritor[™]

Commercial Vehicle Aftermarket

Meritor Heavy Vehicle Systems, LLC

7975 Dixie Highway
Florence, KY 41042 USA
888-725-9355

www.arvinmeritor.com
XpresswayPlus.arvinmeritor.com

© 2008
ArvinMeritor, Inc.

Printed in U.S.A.

Revised 7/2008
PB-0229