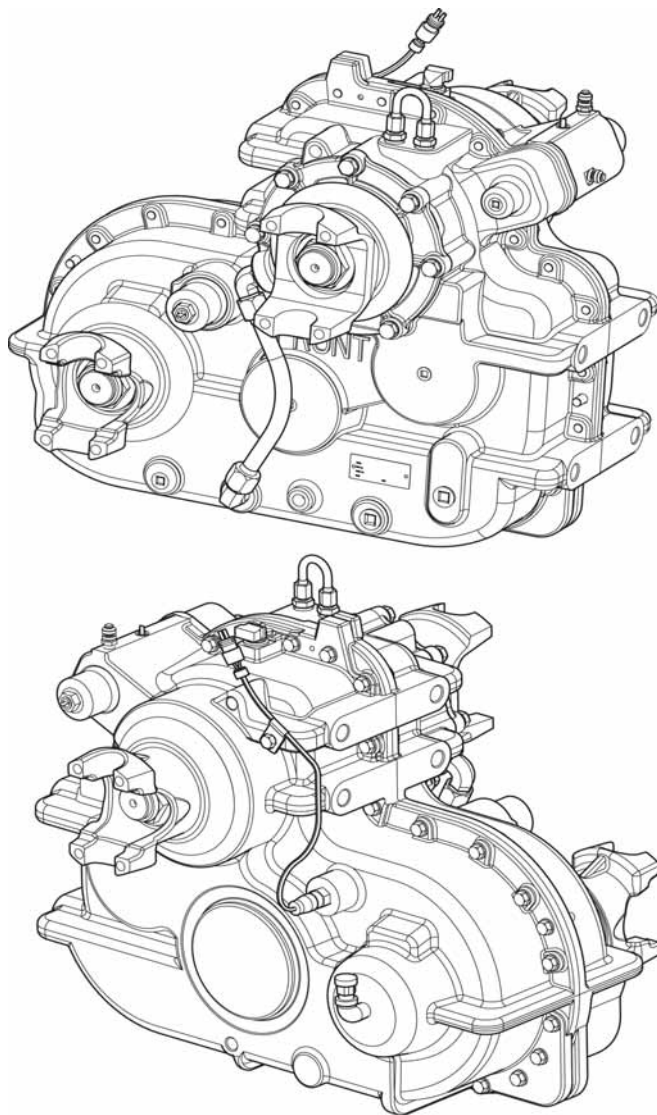


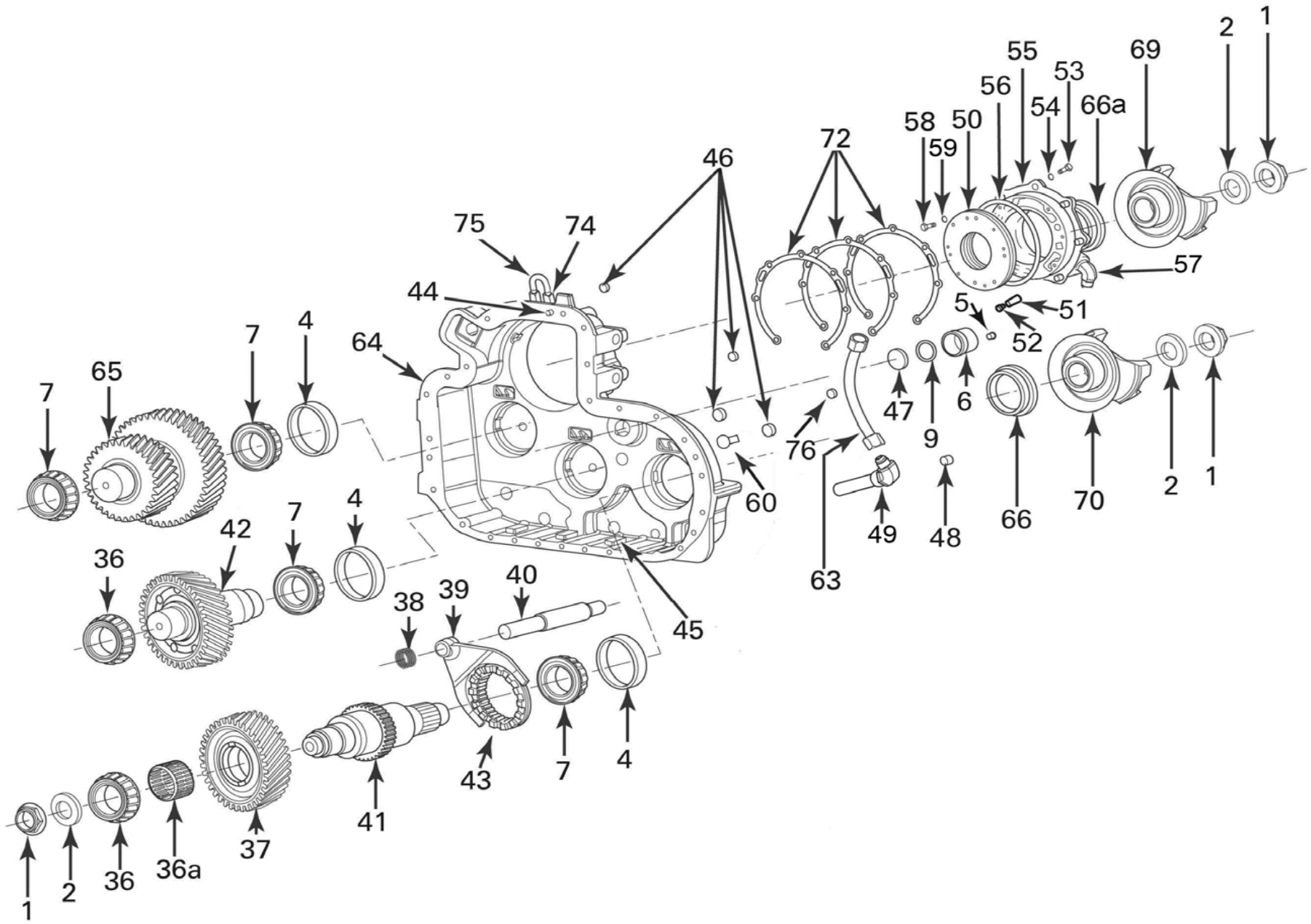
MTC4213X

Transfer Case

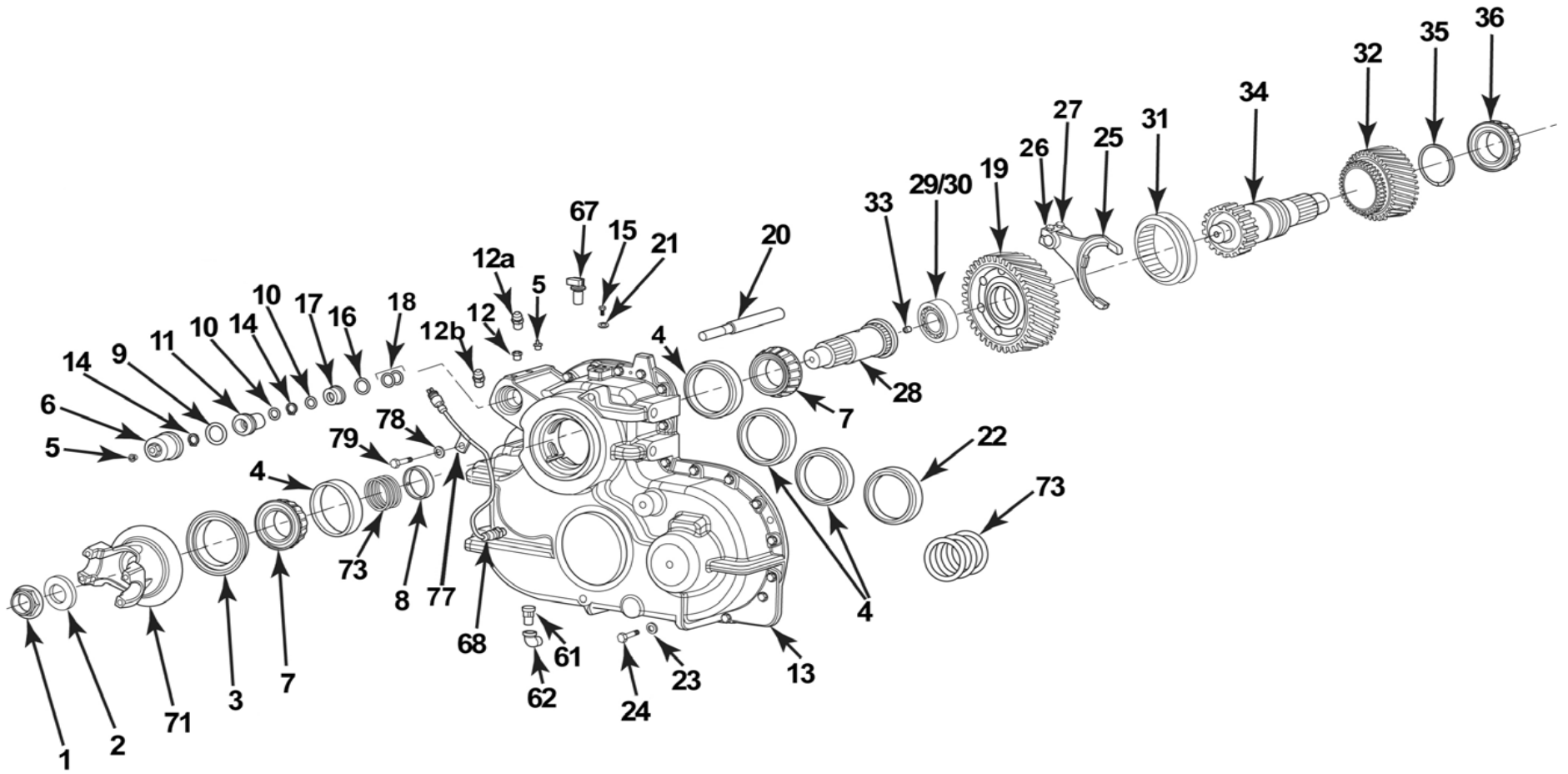


NOTE: The MTC-4213X transfer case models are backward-compatible with MTC-4213 transfer case specifications. There are no changes to the oil cooler interface points with these models. However, the exterior geometry of the housing has changed, which potentially impacts clearances to surrounding components. In addition, the previous models cannot be used in place of the new models in applications with “engage-on-the fly” systems or mid-ship pumps. Refer to Maintenance Manual MM-0146, Transfer Cases, for more information.

MTC4213X - Front



MTC4213X - Rear



MTC-4213X SERIES TRANSFER CASE

Item	Part Name	Qty.	Part Number	Description
1	Lock Nut	4	40-X-1233	M45 x 1.5 thd.
2	Washer	4	1229-N-1730	1.79" ID x 3.00" OD x .19" wide
3	Unitized Seal - Rear Output	1	R945010	3.25" ID x 5.51" OD x .86" long
4	Bearing Cup	7	HM212011	4.8125" OD cup
5	Plug (Shipping)	15	1779-F-344	
6	Shift Cylinder	2	3261-A-1067	
7	Bearing Cone	7	HM212049	2.625" ID cone
8	Spacer - .362"	1	2803-D-3124	.362" Thick
	Spacer - .003"	Use As Reqd.	2803-E-3125	2TS Rear cover bearing spacer
	Spacer - .009"		2803-F-3126	Located next to spacer (Item 8)
	Spacer - .015"		2803-G-3127	
	Spacer - .021"		2803-H-3128	
9	O-Ring - Shift Piston	2	5-X-1326	1.459" ID x .208" thick
10	O-Ring	2	5-X-1290	.734" ID x .139" thick
11	Piston (Outer)	1	2230-Q-1369	
12	Reducer Bushing	1	2206-Q-1447	
12a	Neutral Breather	1	A-1199-K-4048	
12b	Blow-by Breather	1	A-1199-C-1043	
13	Cover - Transfer	1	3289-L-1104	
14	Snap Ring	2	1229-U-4857	.689" ID
15	Capscrew (Speed Sensor Retainer)	1	S244-2	
16	O-Ring (Outer)	1	5-X-1292	1.17" ID x .139" thick
17	Piston (Inner)	1	2230-T-1346	
18	O-Ring (Housing)	2	5-X-1291	.984" ID x .139" thick
19	High Input Gear	1	3892-F-5674	
20	Shift Shaft	1	2244-T-1190	
21	Washer (Speed Sensor Retainer)	1	WA-34	
22	Bearing Cup	1	HM813810	5.00" OD cup
23	Washer	29	1229-E-1513	.47" ID x .81" OD x .09" wide
24	Capscrew	29	S2714A-2	7/16"-14 thd x 1.75"
25	Shift Fork	1	3296-Q-1317	
26	Bolt/Capscrew	1	S1712A-2	7/16" - 1.5"
27	Bolt/Capscrew	1	S1612A-2	3/8" - 1.5"
28	Shaft - Rear Output	1	3297-V-1452	
29	Bearing Cup	1	NP682041	Pocket bearing. OD 3.4843"
30	Bearing Cone	1	NP674708	Pocket bearing. ID 1.625"
31	Collar - Clutch	1	3107-K-1181	
32	Gear - Input (Low)	1	3892-T-5662	
33	Plug - Oil Restriction	1	1250-M-1313	.090" orifice
34	Shaft - Input	1	3297-J-1544	
35	Snap Ring	1	1229-P-4800	Use with shaft 3297-J-1544 only.
36	Bearing Cone	2	HM813843	2.4375" ID cone
36a	Needle Bearing	1	1228-P-1654	
37	Gear - Front Output	1	3892-L-5862	
38	Spring	1	2258-U-411	
39	Fork-Shift	1	3296-T-1346	
40	Push Rod	1	2244-S-1189	
41	Shaft - Front Output	1	3297-G-1567	
42	Gear - Idler	1	3892-D-5672	
43	Collar - Clutch	1	3107-U-1269	
44	Dowel	2	1246-T-1190	.375" dia x 1.00" long
45	Magnet	3	2297-K-6771	

MTC-4213X SERIES TRANSFER CASE

Item	Part Name	Qty.	Part Number	Description
46	Plug	4	P-26	3/8"-18 NPT
47	Piston - Shift	1	2230-T-1190	
48	Drain Plug - Magnetic	1	1250-E-473	3/4"-14 NPT square socket
49	Fitting Assy (Screen / Elbow)	1	A-2206-U-1347	3/4"-14 NPT
50	Pump Assy.	1	A-3303-G-1047	Replaces A-3303-P-1030. Must use A-3226-Z-1482 Input Cage.
51	Valve - Pressure Relief	1	2297-U-5273	
52	Spring - Relief Valve	1	2258-Z-1118	
53	Capscrew - Input Bearing Cage	7	S2814A-2	1/2"-13 thd x 1.75"
54	Washer - Input Bearin Cage	7	1229-C-1511	.53" ID x .88" OD x .09" wide
55	Cage - Input Bearing	1	A-3226-W-1479	
56	O-Ring	1	5-X-1327	7.483" x .139" thick
57	Male Elbow	1	2206-C-1485	3/4"-14 NPTF x 1-1/16"-12 UNC-21
58	Capscrew - Pump Assembly	6	MS208045-1	M8 x 1.25
59	Washer - Pump Assembly	6	1229-E-1669P	.34" ID x .62" OD x .06" wide
60	Fill Plug	1	P-112	3/4"-14 NPT
61	Breather Assy.	1	A-1199-P-1394	3/8"-18 NPT
62	Elbow	1	2206-F-1254	3/8"-18 NPT / 3/8"-18 NPT
63	Tube Assy.	1	A-2206-A-1483	
64	Case - Transfer - Front Half	1	3290-D-1200	
65	Gear - Idler	1	3892-V-5664	
66	Unitized Seal - Forward Output	1	R945007	3.25" ID x 4.25" OD x .86" long
66a	Multiple-Lip Seal - Input Shaft	1	A1-1205-X-2728	3.25" ID x 4.25" OD x .58" long
67	Speed Sensor	1	A-3280-U-9849	Optional
68	Engagement Sensor	1	3237-W-1167	Optional. Do not use with Special Screw (41-X-1022) and Washer (1229-U-1503)
68a	Screw - Special (Sensor Plug) (not shown)	1	41-X-1022	Optional M16 x 1-6g. Special Screw and Washer used in vehicles not equipped with Engagement Sensor (3237-W-1167)
68b	Washer (not shown)	1	1229-U-1503	
69	Yoke - Input	1	RAP or RCE spline code ***	2-3/8"-46T spline (No Slinger)
70	Yoke - Front Output	1		2-3/8"-46T spline (Slinger opt.)
71	Yoke - Rear Output	1		2-3/8"-46T spline (Slinger opt.)
72	Shim - .003"	Use	2203-K-9241	Input bearing cage
	Shim - .005"	As	2203-L-9242	
	Shim - .010"	Reqd.	2203-M-9243	
	Shim - .0197"		2803-F-2866	
73	Shim - .010"	Use	2803-P-3110	Housing bearing cups
	Shim - .005"	As	2803-Q-3111	
	Shim - .003"	Reqd.	2803-R-3112	
74	Male Connector	2	2206-E-1513	1/2" NPT x 9/16" 37° Flare
75	Loop Tube	1	A-2296-Q-1161	For use when cooler not connected
76	Plug	1	P-28	
77	Clip - Speed Sensor	1	2257-M-1235	
78	Washer - Sensor Clip	1	1229-E-1513	
79	Bolt, Capscrew - Sensor	1	S-2710A-2	

*** See yokes, page 7

MTC-4213X SERVICE KITS

Part Name	Part Number	Quantity	Description
KIT 2564			Fastener Kit
Lock Nut	40-X-1233	4	M45 x 1.5 thd.
Washer	1229-N-1730	4	1.79" ID x 3.00" OD x .19" wide
Lock Nut	40-X-1341	1	2.25"-12 thd.
Washer	1229-E-4113	1	2.28" ID x 3.25" OD x .32" wide
Capscrew (Speed Sensor Retainer)	S244-2	1	
Washer (Speed Sensor Retainer)	1229-X-5094	1	
Capscrew	S2714A-2	34	7/16"-14 thd x 1.75"
Washer - Hardened	1229-E-1513	34	
Bolt/Capscrew	S1712A-2	1	
Bolt/Capscrew	S1612A-2	1	
Plug - Oil Restriction	1250-M-1313	1	.090" orifice
Dowel	1246-T-1190	2	.375" dia x 1.00" long
Drain Plug - Magnetic	1250-E-473	1	3/4"-14 NPT square socket
Plug	P-26	4	3/8"-18 NPT
Fill Plug	P-212	1	3/4"-14 NPT
Capscrew - Pump Assembly	MS208045-1	6	M8 x 1.25
Washer - Flat - Pump Assembly	1229-E-1669	6	.34" ID x .62" OD x .06" wide
Capscrew - Input Bearing Cage	S-2814A-2	7	1/2"-13 thd x 1.75"
Washer - Hardened - Input Brg Cage	1229-C-1511	7	.53" ID x .88" OD x .09" wide
Male Connector	2206-C-1485	1	3/4"-14 NPT / 1 1/16"-12 Flare
Screw - Special (Sensor Plug)	41-X-1022	2	Optional M16 x 1-6g
Washer	1229-U-1503	2	

KIT 2566

Shim Kit

Shim - .003"	2203-K-9241	5	Input bearing cage
Shim - .005"	2203-L-9242	5	
Shim - .010"	2203-M-9243	5	
Shim - .010"	2803-P-3110	5	Housing bearing cups
Shim - .005"	2803-Q-3111	5	
Shim - .003"	2803-R-3112	5	
Spacer - .003"	2803-E-3125	5	2TS Rear cover bearing spacer
Spacer - .009"	2803-F-3126	5	
Spacer - .015"	2803-G-3127	5	
Spacer - .021"	2803-H-3128	5	

KIT 2591

Input Shaft Kit

Shaft - Input	3297-J-1544	1	
Snap Ring	1229-P-4800	1	
Plug - Oil Restriction	1250-M-1313	1	

KIT 2891

Shift Fork/Collar Kit - Front Output

Collar - Clutch	3107-U-1269	1	
Shift Fork	3296-T-1346	1	

MTC-4213X SERVICE KITS

Part Name	Part Number	Quantity	Description
KIT 2597			Seal/Snap Ring Kit
Unitized Seal - Forward Output	R945007	1	3.25" ID x 4.25" OD x .86" long
Unitized Seal - Rear Output (4213 only)	R945010	1	3.25" ID x 5.51" OD x .86" long
Multiple-Lip Seal - Input Shaft	A1-1205-X-2728	1	3.25" ID x 4.25" OD x .58" long
O-Ring	5-X-1326	2	1.459" ID x .208" thick
O-Ring (Inner)	5-X-1290	2	.734" ID x .139" thick
Snap Ring	1229-U-4857	2	.689" ID
O-Ring	5-X-1292	1	1.71" ID x .139" thick
O-Ring (Housing)	5-X-1291	2	.984" ID x .139" thick
O-Ring	5-X-1327	1	7.483" x .139" thick

KIT 2887			Seal & Bearing Kit
Cage - Input Bearing	A-3226-W-1479	1	
Lock Nut	40-X-1233	4	M45 x 1.5 thd.
Washer	1229-N-1730	4	1.79" ID x 3.00" OD x .19" wide
Unitized Seal - Rear Output	R945010	1	3.25" ID x 5.51" OD x .86" long
Multiple-Lip Seal - Input Shaft	A1-1205-X-2728	1	3.25" ID x 4.25" OD x .58" long
Unitized Seal - Forward Output	R945007	1	3.25" ID x 4.25" OD x .86" long
Bearing Cup	HM-212011	7	4.8125" OD cup
Bearing Cone	HM-212049	7	2.625" ID cone
Bearing Cup	HM-813810	1	5.00" OD cup
Bearing Cone	HM-813843	2	2.4375" ID cone
Bearing Cup	NP-682041	1	Pocket bearing
Bearing Cone	NP-674708	1	Pocket bearing
Dowel	1246-T-1190	2	.375" dia x 1.00" long
Spacer - .003"	2803-E-3125	5	2TS Rear cover bearing spacer - available in KIT 2566
Spacer - .009"	2803-F-3126	5	
Spacer - .015"	2803-G-3127	5	
Spacer - .021"	2803-H-3128	5	
Shim - .003"	2203-K-9241	5	Input bearing cage - available in KIT 2566
Shim - .005"	2203-L-9242	5	
Shim - .010"	2203-M-9243	5	
Shim - .003"	2803-R-3112	5	Housing bearing cups - available in KIT 2566
Shim - .005"	2803-Q-3111	5	
Shim - .010"	2803-P-3110	5	

KIT 2895			Shift Cylinder Kit
Shift Cylinder	3261-A-1067	1	
Piston - Shift	2230-T-1190	1	
Piston - Shift (Inner)	2230-T-1346	2	
O-Ring (Outer)	5-X-1290	2	.734" ID x .139" thick
O-Ring (Housing)	5-X-1291	2	.984" ID x .139" thick
O-Ring	5-X-1292	1	1.17" ID x .139" thick
O-Ring - Shift Piston	5-X-1326	2	
Piston (Outer)	2230-Q-1369	1	

MTC-4213X YOKES

Transfer Case Model Numbers	Part Numbers		
	Front Output	Front Input	Rear Output
MTC4213X 100 100 205	140TYS38A	17TYS38-76	140TYS38A
MTC4213X 101 100 205	140TYS38A	17TYS38-76	170TYS38-4A
MTC4213X 102 100 205	16N-4-7341-1X	17TYS38-76	17TYS38-76A
MTC4213X 103 100 205	16NYS38-8A	17NYS38-61	17NYS38-61A
MTC4213X 104 100 205	16N-4-7341-1X	176TYS38-27	176TYS38-27A
MTC4213X 105 100 205	16NYS38-8A	176NYS38-14	176NYS38-14A
MTC4213X 107 100 205	140TYS38A	140TYS38	140TYS38A

Note: Other yokes under RAP and RCE spline code (2-3/8"-46T) will fit.
 However, all yokes must be compatible with unitized seals.
 For more information about yoke type or compatibility see
<http://xpresswayplus.arvinmeritor.com> ,
<http://www.meritorhvs.com/LODSearch.aspx>, or call 1-866-ONTRAC1

SEAL REPLACEMENT

Meritor has released the Multiple-Lip Seal (MLS) for use in the INPUT POSITION ONLY on the MTC-4208, -4210 and -4213 transfer cases. The multiple-lip seal is compatible with the current input shaft seal and can be used in service.

Transfer Case Model	Seal Position	Seal Service Part Number	Previous Seal Part Number	Seal Driver	Sleeve Driver
MTC-4208, -4210 and -4213	Input Shaft	A1-1205X2728	A-1205R2592	2728T1	2728T2
MTC-4208 and -4210	Forward and Rear Output	R945007	A-1205R2592	KIT 4454	NA
MTC-4213	Forward Output	R945007	A-1205R2592	KIT 4454	NA
MTC-4213	Rear Output	R945010	A-1205Q2591	KIT 4454	NA

MERITOR AFTERMARKET PARTS WARRANTY

We warrant all new parts for one year from date of shipment to the buyer against defective material or workmanship (but not against damage caused by accident, abuse or improper installation, maintenance or repair) when such parts are used on vehicles the specifications of which have been approved by our Engineering Department.

As the exclusive remedy under this warranty, we will, at our option, repair or replace such parts free of charge, or take back the nonconforming parts and refund the monies paid by buyer for such parts, if found on examination by us to be nonconforming and if any necessary return charges are prepaid.

If it is necessary to return any parts under this warranty, buyer agrees not to make any deduction on account thereof from remittances on current accounts while claims are in the process of disposition. Any expense incurred without our consent for repairs or replacement will not be allowed.

THIS WARRANTY IS EXPRESSLY IN LIEU OF ALL OTHER WARRANTIES OR CONDITIONS, EXPRESS, IMPLIED OR STATUTORY, INCLUDING ANY IMPLIED WARRANTY OF MERCHANTABILITY OR FITNESS FOR PARTICULAR PURPOSE. IN NO EVENT SHALL SELLER BE LIABLE FOR INCIDENTAL OR CONSEQUENTIAL DAMAGES OF ANY NATURE.

Only genuine Meritor replacement parts are covered by this aftermarket parts warranty.



Information contained in this publication is in effect at the time the publication was approved for printing and is subject to change without notice or liability. Meritor Heavy Vehicle Systems, LLC, reserves the right to revise the information presented or discontinue the production of parts described at any time.

Meritor Heavy Vehicle Systems, LLC
7975 Dixie Highway
Florence, KY 41042 USA
888-725-9355
www.arvinmeritor.com
XpresswayPlus.arvinmeritor.com

Issued 4/2009
PB-0912
© 2009 ArvinMeritor, Inc.