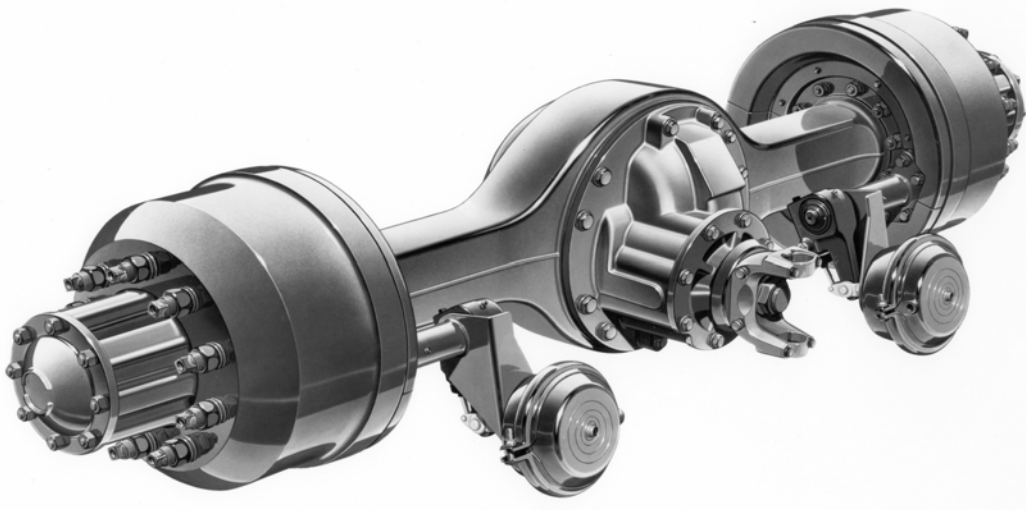
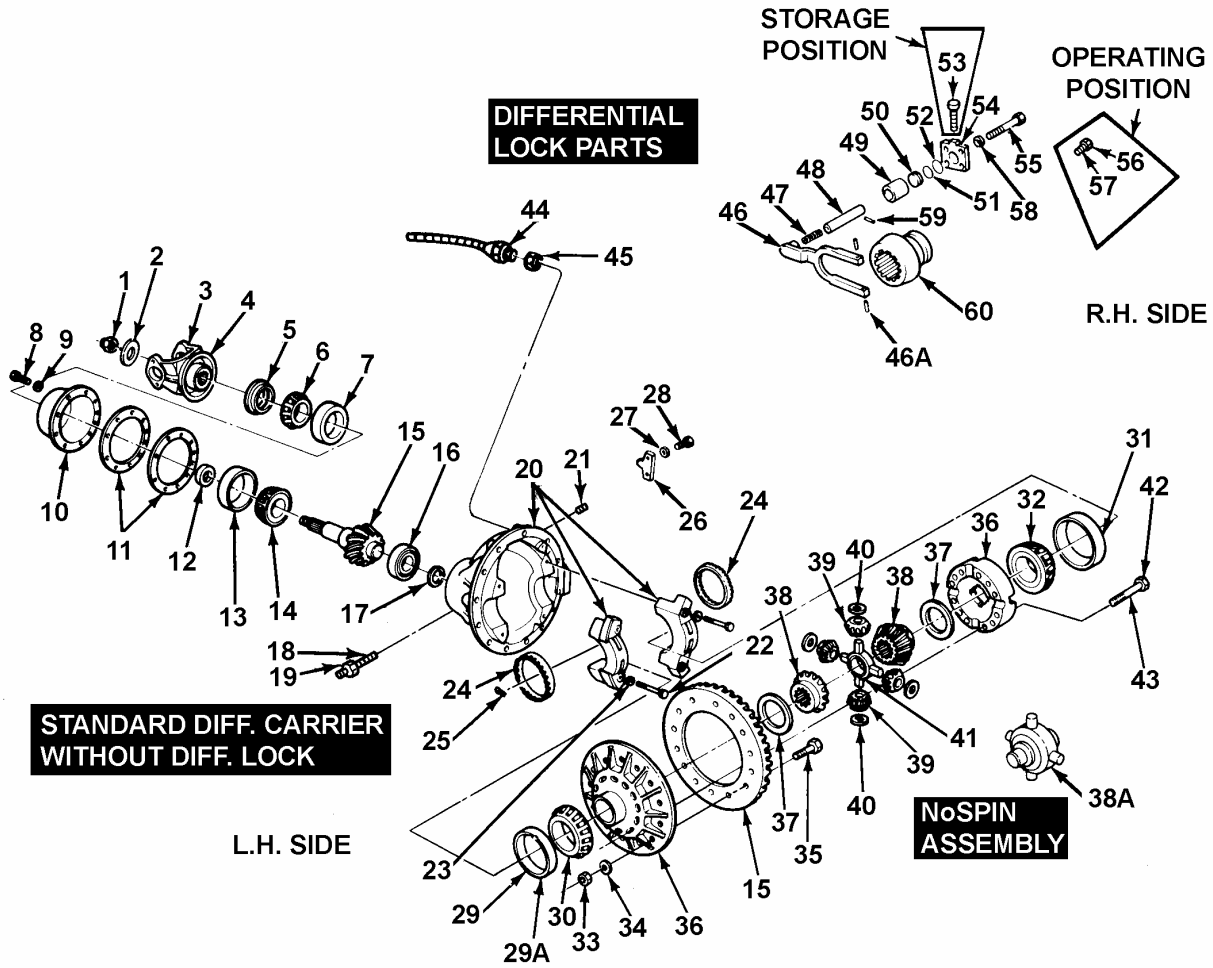


120/125 Series Drive Axles



DIFFERENTIAL CARRIER



VISUAL IDENTIFICATION OF REAR CARRIERS

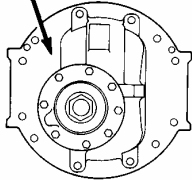
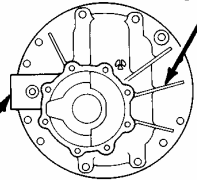
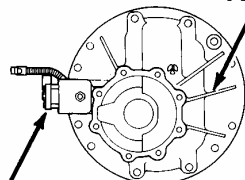
<p>NO BULGE</p>  <p>REAR CARRIER WITHOUT DIFF. LOCK A2-3200-F-1488 A2-3200-C-1745</p>	<p>RIBS</p>  <p>NO DIFF. LOCK</p> <p>REAR CARRIER WITHOUT DIFF. LOCK A2-3200-K-1519 A2-3200-G-1749</p>	<p>RIBS</p>  <p>DIFF. LOCK</p> <p>REAR CARRIER WITH DIFF. LOCK A2-3200-P-1498 A2-3200-E-1747</p>
--	--	--

TABLE OF CONTENTS

	PAGE
CARRIER FEATURES CHART.....	2
DIFFERENTIAL CARRIER COMPONENTS.....	3
HOUSING ASSEMBLY.....	7
AXLE SHAFTS.....	8
COMPANION FLANGES.....	8
END YOKES.....	9
DIFFERENTIAL CARRIER KITS.....	10
NUMERICAL PARTS LIST.....	12

CARRIER FEATURES CHART

Original Part Number	Replacement Part Number	Comments
A34-3200-F-1488	A6-3200-C-1745	Standard differential, no thrust screw
A30-3200-F-1488	A7-3200-C-1745	No-Spin differential, no thrust screw
A61-3200-P-1498	A7-3200-E-1747	Main differential lock, no thrust screw
A11-3200-K-1519	A14-3200-G-1749	Standard differential, with thrust screw

DIFFERENTIAL CARRIER

ITEM NUMBER	DESCRIPTION	REMARKS	QTY.	PART NUMBER	
1	Nut - drive pinion	Included in KIT 2636	1	40-X-1236	
2	Washer - drive pinion nut		1	1229-A-2653	
3, 4	Input yoke assembly		1	See yoke chart	
4	Deflector - input yoke		1	DEFR40-4	
5	Oil seal - pinion brg. cage assembly		1	A-1205-D-1928	
6	Cone - drive pinion outer bearing		1	HM804846	
7	Cup - drive pinion outer bearing		1	HM804810	
8	Capscrew - pinion bearing cage		8	MS-212040-2	
9	Washer - pinion bearing cage		8	1229-D-4632	
10, 7, 13	Pinion bearing cage assembly		1	A-3226-Z-858	
11	Shims - pinion bearing cage	.004 inch/.100 mm	Included in KIT 2334	Use as reqd	2203-K-8487
		.005 inch/.120 mm			2203-L-8488
		.008 inch/.200 mm			2203-X-8812
		.020 inch/.500 mm			2203-C-8791
12	Spacers - pinion bearing preload	.236 inch/6.00 mm	Included in KIT 2335	Use 2 as reqd	2803-Q-2513
		.238 inch/6.05 mm			2803-R-2514
		.239 inch/6.08 mm			2803-S-2515
		.242 inch/6.15 mm			2803-T-2516
		.243 inch/6.18 mm			2803-U-2517
		.246 inch/6.25 mm			2803-V-2518
		.247 inch/6.28 mm			2803-W-2519
		.248 inch/6.30 mm			2803-X-2520
13	Cup - drive pinion inner bearing		1	55437	
14	Cone - drive pinion inner bearing		1	55200C	
15, 1, 2, 17	Drive gear, pinion & nut assembly.	3.31 ratio	Use 1 as reqd	A-38784-4	
		3.58 ratio		A-41588-1	
		3.73 ratio		A-38988-4	
		3.91 ratio		A-39504-4	
		4.10 ratio		A-38774-4	
		4.30 ratio		A-39502-4	
		4.56 ratio		A-38990-4	
		4.88 ratio		A-38992-4	
		5.13 ratio		A-38994-4	
		5.29 ratio		A-39500-3	
		5.57 ratio		A-38996-4	
		5.86 ratio		A-38928-4	
		6.14 ratio		A-39498-3	
		6.83 ratio		A-39382-3	
		7.17 ratio		A-39496-3	
		3.31 ratio		Motor Home Applications	A-41598-1
		3.73 ratio	Use 1 as reqd	A-41600-1	
		4.10 ratio	A-41616-1		
		4.30 ratio	A-41610-1		
		4.56 ratio	A-41602-1		
		4.88 ratio	A-41604-1		
		5.13 ratio	A-41606-1		
		4.88 ratio	MX-120HR Applications (Front Drive Steer)	Use 1 as reqd	B-38992-1 488
		5.57 ratio	B-38996-2 557		
6.14 ratio	B-39498-1 614				
6.83 ratio	B-39382-1 683				

DIFFERENTIAL CARRIER

ITEM NUMBER	DESCRIPTION	REMARKS	QTY.	PART NUMBER
16	Bearing - drive pinion spigot	All others	1	1228-H-580
		MX-120HR Applications	1	1228-C-1745
17	Snap ring - pinion spigot bearing	All others	1	1229-W-1167
		MX-120HR Applications	1	1229-R-5088
18	Thrust screw	Used on 3200-K-1519 only	1	41-X-1371
19	Jam nut		1	40-X-1016
20 (1), 22, 23	Differential carrier and cap assembly	Std. mounting - Old style	1	A2-3200-F-1488
		Diff. lock - Old style		A2-3200-P-1498
		Std. w/thrust screw - Old style		A2-3200-K-1519
		Std. mounting - New style		A2-3200-C-1745
		Diff. lock - New style		A2-3200-E-1747
		Std. w/thrust screw - New style		A2-3200-G-1749
		HR w/thrust screw		A2-3200-G-1749
21	Plug		1	1229-C-1511
22	Capscrew - differential bearing cap		4	MS-216090-1
23	Washer - differential bearing cap		4	1229-U-1503
24	Adjusting rings	L.H. (small)	1	2214-B-288
		R.H. (large)	1	2214-C-289
25	Cotter pin - adjusting ring L.H.		1	1199-R-2176
26	Lock - adjusting ring R.H.		1	1220-K-89
27	Washer - adjusting ring lock		2	MWA-508
28	Capscrew - adjusting ring lock		2	MS-208020-1
29	Cup - differential bearing L.H.		1	JM511910
29A	Adhesive - bearing cup		1	2297-T-4180
30	Cone - differential bearing L.H.		1	3994
31	Cup - differential bearing R.H.		1	34478
32	Cone - differential bearing R.H.		1	34306
33	Nut - gear to case	Included in KIT 2600	12	40-X-1234
34	Washer - gear to case	Included in KIT 2600	12	MWA-512
35	Capscrew - gear to case	Included in KIT 2600	12	41-X-1331
36, 42	Differential case assembly	3.31, 3.58, 3.73, 3.91, 4.10, 4.30	1	A-3235-A-2185
		4.56, 4.88, 5.13, 5.29, 5.57, 5.86, 6.14, 6.83, 7.17	1	A-3235-B-2186
		3.31, 3.58, 3.73, 3.91, 4.10, 4.30	1	A4-3235-A-2185
		4.56, 4.88, 5.13, 5.29, 5.57, 5.86, 6.14, 6.83, 7.17	1	A4-3235-B-2186

(1) Not serviced separately.

DIFFERENTIAL CARRIER

ITEM NUMBER	DESCRIPTION	REMARKS	QTY.	PART NUMBER		
36, 37, 38, 39, 40, 41, 42, 43	Differential case and nest assy.	3.31, 3.58, 3.73, 3.91, 4.10, 4.30	Std. differential, less diff. lock - 1.75"-34 spline	1	A1-3235-A-2185	
		4.56, 4.88, 5.13, 5.29, 5.57, 5.86, 6.14, 6.83, 7.17		1	A1-3235-B-2186	
		3.31, 3.58, 3.73, 3.91, 4.10, 4.30	Hi-Traction, less diff. lock - 1.75"-34 spline	1	A2-3235-A-2185	
		4.56, 4.88, 5.13, 5.29, 5.57, 5.86, 6.14, 6.83, 7.17		1	A2-3235-B-2186	
		3.31, 3.58, 3.73, 3.91, 4.10, 4.30	Std. differential with diff. lock - 1.75"-34 spline	1	A5-3235-A-2185	
		4.56, 4.88, 5.13, 5.29, 5.57, 5.86, 6.14, 6.83, 7.17		1	A5-3235-B-2186	
		3.31, 3.58, 3.73, 3.91, 4.10, 4.30	Std. differential, less diff. lock - 2"-38 spline	1	A6-3235-A-2185	
		4.56, 4.88, 5.13, 5.29, 5.57, 5.86, 6.14, 6.83, 7.17		1	A6-3235-B-2186	
		3.31, 3.58, 3.73, 3.91, 4.10, 4.30	Std. differential with diff. lock - 2"-38 spline	1	A10-3235-A-2185	
		4.56, 4.88, 5.13, 5.29, 5.57, 5.86, 6.14, 6.83, 7.17		1	A10-3235-B-2186	
		37	Thrust washer - side gear		2	1229-K-4457
		38	Side gear - differential	Std. diff. nest only - Old style (2) 1.75"-34 spline	2	2234-E-1097
Hi-traction differential only - 1.75"-34 spline	2			2234-L-1208		
Std. diff. nest only - New style (3) 1.75"-38 spline	2			2234-V-1114		
Std. diff. nest only - New style (3) 2"-38 spline	2			2234-U-1113		
38A	No - Spin assembly	1.75"-34 spline	1	A-3230-Q-1031		
		2"-38 spline	1	A-3230-P-1030		
39	Gear - differential pinion	Std. diff. nest only - Old style (2)	4	2233-Q-1031		
		Std. diff. nest only - New style (3)	4	2233-V-1010		
		Hi-traction differential only	4	2233-J-452		
40	Thrust washer - differential pinion		4	1229-Q-2877		
41	Spider - differential	Std. diff. nest only - Old style (2)	1	3278-P-1004		
		Std. diff. nest only - New style (3)	1	3278-R-1006		
		Hi-traction or std. differential	1	3278-Z-104		
42	Capscrew - differential case		12	41-X-1284		
42A	Washer - differential case		12	1229-D-4632		
43	Thread locking liquid		1	2297-C-7049		
44	Sensor - differential lock		1	3237-W-1167		
45	Locknut - sensor switch		1	1227-P-1056		

(2) Old style carriers: 3200-F-1488, 3200-P-1498, 3200-K-1519, 3200-R-1526

(3) New style carriers: 3200-C-1745, 3200-E-1747, 3200-G-1749

DIFFERENTIAL CARRIER

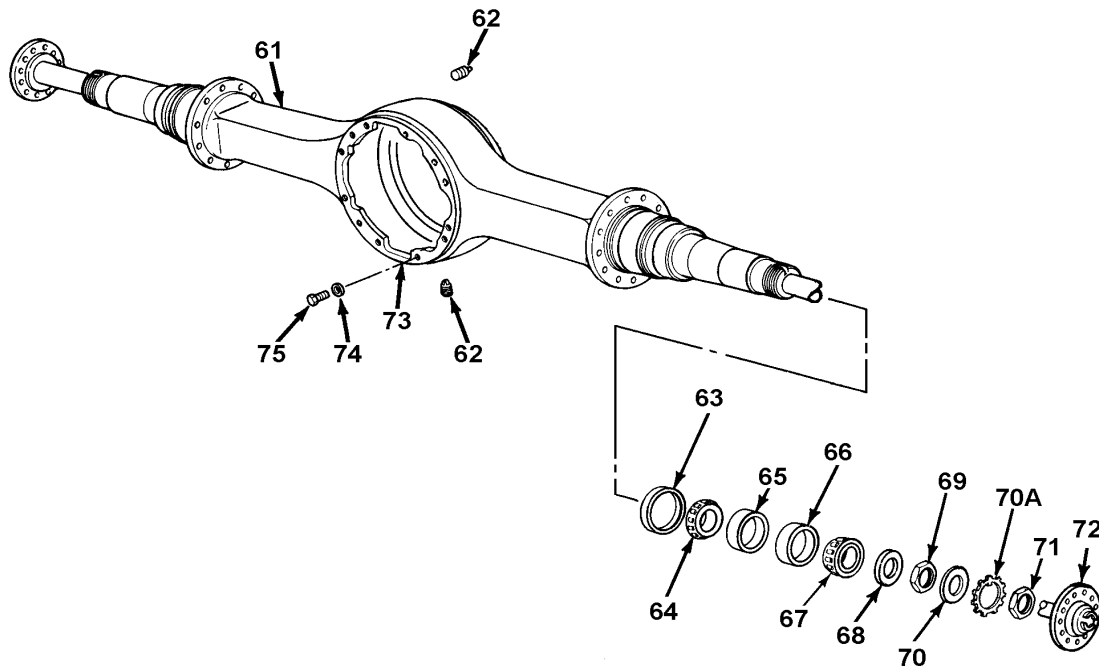
LOCK PARTS

ITEM NUMBER	DESCRIPTION	REMARKS	QTY.	PART NUMBER
46	Shift fork	Old style (2)	1	3296-H-190
		New style (3)	1	3296-Y-1195
46A	Pin - roll		2	43-X-1007
47	Spring - shift shaft	Old style (2)	1	2258-L-714
		New style (3)	1	2258-N-1262
48	Shift shaft	Old style (2)	1	2244-Z-52
		New style (3)	1	2244-R-1006
49	Tube - air cylinder	Old style only (2) - Integral on new style (3)	1	3196-F-32
50	Piston - main differential lock	Old style (2)	1	2230-N-170
		New style (3)	1	2230-D-1018
51	O-ring - piston		1	5-X-1153
52	Gasket - air cylinder cover	Old style (2)	1	2208-H-944
		New style (3)	1	2208-Q-1005
53	Capscrew - manual engaging		1	41-X-1333
54	Cover - air cylinder	Old style (2)	1	3266-F-1020
		New style (3)	1	3266-K-1282
55	Capscrew - air cylinder	Old style (2)	4	41-X-1364
		New style (3)	4	41-X-1080
56	Plug - air cylinder cover		1	MS-210016-1
57	Gasket - caging screw		1	2208-L-1000
58	Washer - cover fastener		4	MWA-506
59	Roll pin - shift shaft	Old style (2)	1	43-X-1006
60	Clutch collar		1	3107-H-60

(2) Old style carriers: 3200-F-1488, 3200-P-1498, 3200-K-1519, 3200-R-1526

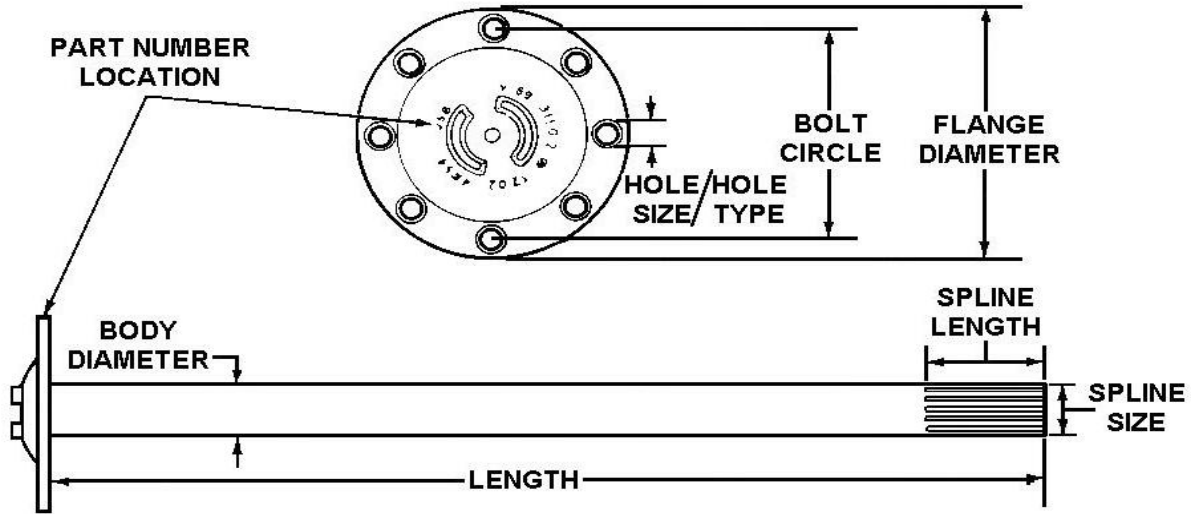
(3) New style carriers: 3200-C-1745, 3200-E-1747, 3200-G-1749

HOUSING ASSEMBLY



ITEM NUMBER	DESCRIPTION	REMARKS	QTY.	PART NUMBER
61	Axle housing assembly	See bill of material	1	----
62	Plugs - magnetic		2	1250-E-473
63	Oil seal assembly	Double lip seal, 3.125" inner dia.	2	A-1205-W-283
		Unitized seal, 3.437" inner dia.	2	A-1205-W-1557
64	Cone - bearing inner wheel	Use with 333-G-3517 hub	2	3984
		Use with 333-N-1782 hub	2	33287
65	Cup - bearing inner wheel	Use with 333-G-3517 hub	2	3920
		Use with 333-N-1782 hub	2	33462
66	Cup - bearing outer wheel	Use with 333-G-3517 hub	2	465X
		Use with 333-N-1782 hub	2	3920
67	Cone - bearing outer wheel	Use with 333-G-3517 hub	2	462
		Use with 333-N-1782 hub	2	3982
68	Washer - bearing thrust	Use with 333-G-3517 hub only	2	1229-R-720
69	Nut - inner wheel bearing adj. (2.25"-16)	Use with 333-G-3517 hub	2	1227-F-162
	Nut - inner wheel bearing adj. (2.50"-16)	Use with 333-N-1782 hub	2	1227-U-515
70	Washer - adjusting nut	Use with 333-G-3517 hub	2	1229-S-721
		Use with 333-N-1782 hub	2	1229-C-1459
70A	Lockwasher		1	1229-H-4636
71	Nut - outer jam (2.25"-16)	Use with 333-G-3517 hub	2	1227-F-162
	Nut - outer jam (2.50"-16)	Use with 333-N-1782 hub	2	1227-D-446
72	Axle shaft	See shaft chart	1	----
73	Gasket - silastic		1	2297-A-7021
74	Washer - carrier to housing		12	1229-C-1511
75	Capscrew - carrier to housing	Short	8	S-2812-2
		Long	4	S-2822-2

AXLE SHAFTS

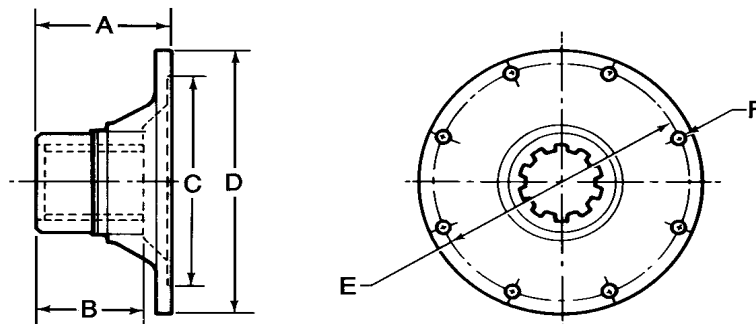


NOTE: All shafts listed have: No Puller Holes, No Lube Holes, Tapered Holes

MERITOR PART NUMBER	MERITOR FORGING NUMBER	BODY DIA.	LENGTH	SPLINE SIZE	SPLINE LENGTH	FLANGE DIA.	NUMBER OF HOLES	(Inches)	
								HOLE SIZE	BOLT CIRCLE
3202-J-7836	3202-C-2941	1.62	37.26	1.75 - 34	2.34	6.12	8	.44	5.13
3202-U-7847	3202-R-6726	1.62	38.46	1.75 - 34	2.34	6.12	8	.44	5.13
3202-E-9001	3202-C-8999	1.62	38.60	1.75 - 34	2.25	6.25	8	.50	5.31
3202-F-9002	3202-D-9000	1.62	37.26	1.75 - 34	2.25	6.25	8	.50	5.31
3202-F-9262	3202-E-9261	1.62	38.46	1.75 - 34	8.25	6.12	8	.44	5.13
3202-Y-9177	3202-X-9176	1.57	34.32	1.75 - 34	2.34	5.58	8	.44	4.75
3202-W-9175	3202-V-9174	1.57	37.87	1.75 - 34	8.25	5.58	8	.44	4.75

COMPANION FLANGES

1.75" (44.45 mm) - 34 SPLINE SIZE, HUB SIZE 2.50"

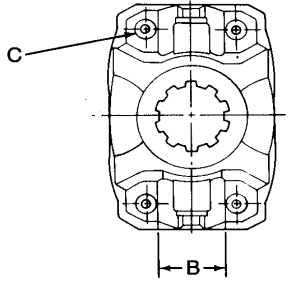
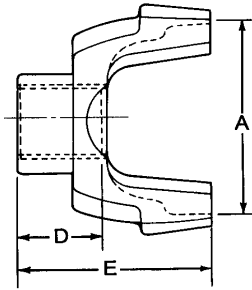


SERVICE NUMBER	PRODUCTION NUMBER	TYPE	"A"	"B"	"C"	"D"	"E"	"F"
			Dimensions - Inches (mm)					
3WCS28-93A	A-3260-J-10	Companion Flange	2.94 (74.68)	2.25 (57.2)	6.62 (168.15)	6.88 (174.8)	6.12 (155.4)	0.385 (9.8)

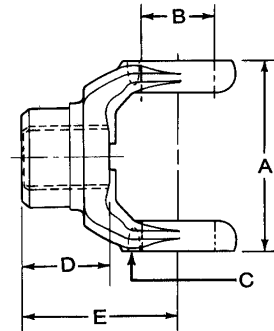
END YOKES

1.75" (44.45 mm) - 34 SPLINE SIZE, HUB SIZE 2.50"

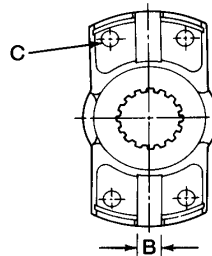
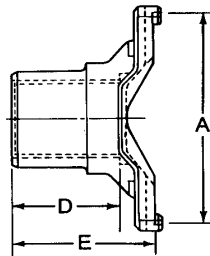
EASY SERVICE (STRAP) TYPE YOKES



ROUND BEARING TYPE YOKES



WING BEARING TYPE YOKES



SERVICE NUMBER	PRODUCTION NUMBER	TYPE	SERIES	"A"	"B"	"C"	"D"	"E"
				Dimensions - Inches (mm)				
141DYS28A	A-3280-J-8070	Easy Service Round Bearing with Strap	141N	4.184 (106.3)	1.188 (30.18)	.392 dia. (9.96)	2.25 (57.2)	4.18 (106.2)
148DYS28A	A-3280-H-8068		148D	4.184 (106.3)	1.375 (34.9)	.392 dia. (9.96)	2.25 (57.2)	4.47 (113.4)
155DYS28-1A	A-3260-N-248		155D	4.965 (126.1)	1.375 (34.9)	.392 dia. (9.96)	2.25 (57.2)	4.66 (118.3)
155TYS28-1	A-3260-J-1154		155T	4.965 (126.1)	1.375 (34.9)	.375-24 thd.	2.25 (57.2)	4.69 (119.1)
16TYS28-13A	A-3260-J-1232		16T	5.311 (134.9)	1.875 (47.64)	.375-24 thd.	2.25 (57.2)	4.88 (124.0)
17TYS28-57A	A-3260-N-1236		17T	6.185 (157.1)	1.94 (49.2)	.50-20 thd.	2.25 (57.2)	4.88 (124.0)
16N-4-5621X	A-3280-Q-7115	Full Round Bearing	16N	5.311 (134.9)	1.875 (47.64)	.375-24 thd.	2.25 (57.2)	4.88 (124.0)
62NYS28-202A	A-3260-S-1137	Wing Bearing	62N	5.531 (140.5)	.625 (15.88)	.375-24 thd.	2.25 (57.2)	3.94 (100.0)

DIFFERENTIAL CARRIER KITS

KIT 1846

ITEM	PART NUMBER	QTY.	DESCRIPTION	REMARKS
1	1229-X-3014	2	Washer - thrust side gear	2"-38 Spline nest. New style only: 3200-C-1745, 3200-E-1747, 3200-G-1749.
2	2234-U-1113	2	Side gear - main differential	
3	3278-R-1006	1	Spider - main differential	
4	2233-V-1010	4	Gear - pinion, main differential	
5	1229-R-3008	4	Washer - thrust pinion	

KIT 1847

ITEM	PART NUMBER	QTY.	DESCRIPTION	REMARKS
1	1229-X-3014	2	Washer - thrust side gear	1.75"-34 Spline nest. New style only: 3200-C-1745, 3200-E-1747, 3200-G-1749.
2	2234-V-1114	2	Side gear - main differential	
3	3278-R-1006	1	Spider - main differential	
4	2233-V-1010	4	Gear - pinion, main differential	
5	1229-R-3008	4	Washer - thrust pinion	

KIT 2600

ITEM	PART NUMBER	QTY.	DESCRIPTION	REMARKS
1	41-X-1331	12	Capscrew - gear to case	
2	MWA-512	12	Washer - gear to case	
3	40-X-1234	12	Nut - self locking, gear to case	

KIT 2319

ITEM	PART NUMBER	QTY.	DESCRIPTION	REMARKS
1	2234-E-1097	2	Side gear - main differential	Standard diff. nest only.
2	1229-K-4457	2	Washer - thrust side gear	
3	3278-Z-104	1	Spider - main differential	
4	2233-Q-1031	4	Gear - pinion, main differential	
5	1299-Q-2877	4	Washer - thrust pinion	

KIT 2726

ITEM	PART NUMBER	QTY.	DESCRIPTION	REMARKS
1	2234-L-1208	2	Side gear - main differential	Hi-Traction diff. nest only.
2	1229-K-4457	2	Washer - thrust side gear	
3	3278-Z-104	1	Spider - main differential	
4	2233-J-452	4	Gear - pinion, main differential	
5	1299-Q-2877	4	Washer - thrust pinion	

KIT 2333

ITEM	PART NUMBER	QTY.	DESCRIPTION	REMARKS
1	2234-E-1097	2	Side gear - main differential	
2	1229-K-4457	2	Washer - thrust side gear	
3	2233-Q-1031	4	Gear - pinion, main differential	
4	1299-Q-2877	4	Washer - thrust pinion	

KIT 2334

ITEM	PART NUMBER	QTY.	DESCRIPTION	REMARKS
1	2203-X-8812	3	Shim - pinion cage .008" (.200 mm)	
2	2203-L-8488	2	Shim - pinion cage .005" (.125 mm)	
3	2203-K-8487	4	Shim - pinion cage .004" (.100 mm)	
4	2203-C-8791	1	Shim - pinion cage .020" (.500 mm)	

DIFFERENTIAL CARRIER KITS

KIT 2335

ITEM	PART NUMBER	QTY.	DESCRIPTION	REMARKS
1	2803-Q-2513	2	Spacer - pinion bearing preload .236"	
2	2803-R-2514	2	Spacer - pinion bearing preload .238"	
3	2803-S-2515	2	Spacer - pinion bearing preload .239"	
4	2803-T-2516	2	Spacer - pinion bearing preload .242"	
5	2803-U-2517	2	Spacer - pinion bearing preload .243"	
6	2803-V-2518	2	Spacer - pinion bearing preload .246"	
7	2803-W-2519	2	Spacer - pinion bearing preload .247"	
8	2803-X-2520	2	Spacer - pinion bearing preload .248"	

KIT 2810

ITEM	PART NUMBER	QTY.	DESCRIPTION	REMARKS
1	3296-Y-1195	1	Shift fork	DCDL kit. New style: 3200-E-1747
2	3107-H-60	1	Clutch collar	
3	43-X-1007	2	Pin - roll	
4	2244-R-1006	1	Shift shaft	
5	2258-N-1262	1	Spring - shif shaft	
6	2230-D-1018	1	Piston - main diff. lock	
7	5-X-1153	1	O-ring - piston	
8	2208-Q-1005	1	Gasket - air cylinder cover	

KIT 4340

ITEM	PART NUMBER	QTY.	DESCRIPTION	REMARKS
1	34306	1	Cone - differential bearing R.H.	
2	34478	1	Cup - differential bearing R.H.	
3	3994	1	Cone - differential bearing L.H.	
4	JM-511910	1	Cup - differential bearing L.H.	
5	HM-804846	1	Cone - bearing pinion outer	
6	HM-804810	1	Cup - bearing pinion outer	
7	55200C	1	Cone - bearing pinion inner	
8	55437	1	Cup - bearing pinion inner	
9	1228-H-580	1	Bearing - drive pinion spigot	
10	A-1205-D-1928	1	Oil seal - input	

KIT RS13120

ITEM	PART NUMBER	QTY.	DESCRIPTION	REMARKS
1	KIT 2334	1	Spacer kit	
2	KIT 2335	1	Shim kit	
3	KIT 2319	1	Diff. nest kit	
4	34306	1	Cone - differential bearing R.H.	
5	34478	1	Cup - differential bearing R.H.	
6	3994	1	Cone - differential bearing L.H.	
7	JM-511910	1	Cup - differential bearing L.H.	
8	HM-804846	1	Cone - bearing pinion outer	
9	HM-804810	1	Cup - bearing pinion outer	
10	55200C	1	Cone - bearing pinion inner	
11	55437	1	Cup - bearing pinion inner	
12	1228-H-580	1	Bearing - drive pinion spigot	
13	A-1205-D-1928	1	Oil seal - input	

NUMERICAL PARTS LISTING

PART NUMBER	PAGE	PART NUMBER	PAGE	PART NUMBER	PAGE	PART NUMBER	PAGE
5-X-1153	6	2234-U-1113	5	A-3260-N-248	9	A-41602-1	3
40-X-1016	4	2234-V-1114	5	A-3260-S-1137	9	A-41604-1	3
40-X-1234	4	2234-L-1208	5	A-3260-J-1154	9	A-41606-1	3
40-X-1236	3	2244-Z-52	6	A-3260-J-1232	9	A-41610-1	3
41-X-1080	6	2244-R-1006	6	A-3260-N-1236	9	A-41616-1	3
41-X-1284	5	2258-L-714	6	3266-F-1020	6	B-38992-1 488	3
41-X-1331	4	2258-N-1262	6	3266-K-1285	6	B-38996-2 557	3
41-X-1333	6	2297-T-4180	4	3278-Z-104	5	B-39382-1 683	3
41-X-1364	6	2297-A-7021	7	3278-R-1006	5	B-39498-1 614	3
41-X-1371	4	2297-C-7049	5	A-3280-Q-7115	9	DEFR40-4	3
43-X-1006	6	2803-Q-2513	3	A-3280-H-8068	9	HM804810	3
43-X-1007	6	2803-R-2514	3	A-3280-J-8070	9	HM804846	3
45-X-1003	4	2803-S-2515	3	3296-H-190	6	JM511910	4
1199-R-2176	4	2803-T-2516	3	3296-Y-1195	6	KIT 1846	10
A-1205-W-283	7	2803-U-2517	3	462	7	KIT 1847	10
A-1205-W-1557	7	2803-V-2518	3	465X	7	KIT 2319	10
A-1205-D-1928	3	2803-W-2519	3	3920	7	KIT 2333	10
1220-K-89	4	2803-X-2520	3	3982	7	KIT 2334	10
1227-F-162	7	3107-H-60	6	3984	7	KIT 2335	11
1227-D-446	7	3196-F-32	6	3994	4	KIT 2600	10
1227-U-515	7	A2-3200-F-1488	4	33287	7	KIT 2726	10
1227-P-1056	5	A2-3200-P-1498	4	33462	7	KIT 2810	11
1228-H-580	4	A2-3200-K-1519	4	34306	4	KIT 4340	11
1228-C-1745	4	A2-3200-C-1745	4	34478	4	KIT RS13120	11
1229-R-720	7	A2-3200-E-1747	4	55200C	3	MS-208020-1	4
1229-S-721	7	A2-3200-G-1749	4	55437	3	MS-210016-1	6
1229-W-1167	4	3202-J-7836	8	141DYS28A	9	MS-212040-2	3
1229-C-1459	7	3202-U-7847	8	148DYS28A	9	MS-216090-1	4
1229-U-1503	4	3202-E-9001	8	155DYS28-1A	9	MWA-506	6
1229-C-1511	7	3202-F-9002	8	155TYS28-1	9	MWA-508	4
1229-A-2653	3	3202-W-9175	8	16N-4-5621X	9	MWA-512	4
1229-Q-2877	5	3202-Y-9177	8	16TYS28-13A	9	S-2812-2	7
1229-K-4457	5	3202-F-9262	8	17TYS28-57A	9	S-2822-2	7
1229-D-4632	3, 5	A-3226-Z-858	3	3WCS28-93A	8		
1229-H-4636	7	A-3230-P-1030	5	62NYS28-202A	9		
1229-R-5088	4	A-3230-Q-1031	5	A-38774-4	3		
1250-E-473	7	A-3235-A-2185	4	A-38784-4	3		
2203-K-8487	3	A1-3235-A-2185	5	A-38928-4	3		
2203-L-8488	3	A2-3235-A-2185	5	A-38988-4	3		
2203-C-8791	3	A4-3235-A-2185	4	A-38990-4	3		
2203-X-8812	3	A5-3235-A-2185	5	A-38992-4	3		
2208-H-944	6	A6-3235-A-2185	5	A-38994-4	3		
2208-L-1000	6	A10-3235-A-2185	5	A-38996-4	3		
2208-Q-1005	6	A-3235-B-2186	4	A-39382-3	3		
2214-B-288	4	A1-3235-B-2186	5	A-39496-3	3		
2214-C-289	4	A2-3235-B-2186	5	A-39498-3	3		
2230-N-170	6	A4-3235-B-2186	4	A-39500-3	3		
2230-D-1018	6	A5-3235-B-2186	5	A-39502-4	3		
2233-J-452	5	A6-3235-B-2186	5	A-39504-4	3		
2233-V-1010	5	A10-3235-B-2186	5	A-41588-1	3		
2233-Q-1031	5	3237-W-1167	5	A-41598-1	3		
2234-E-1097	5	A-3260-J-10	8	A-41600-1	3		

MERITOR AFTERMARKET PARTS WARRANTY

We warrant all new parts for one year from date of shipment to the buyer against defective material or workmanship (but not against damage caused by accident, abuse or improper installation, maintenance or repair) when such parts are used on vehicles the specifications of which have been approved by our Engineering Department.

As the exclusive remedy under this warranty, we will, at our option, repair or replace such parts free of charge, or take back the nonconforming parts and refund the monies paid by buyer for such parts, if found on examination by us to be nonconforming and if any necessary return charges are prepaid.

If it is necessary to return any parts under this warranty, buyer agrees not to make any deduction on account thereof from remittances on current accounts while claims are in the process of disposition. Any expense incurred without our consent for repairs or replacement will not be allowed.

THIS WARRANTY IS EXPRESSLY IN LIEU OF ALL OTHER WARRANTIES OR CONDITIONS, EXPRESS, IMPLIED OR STATUTORY, INCLUDING ANY IMPLIED WARRANTY OF MERCHANTABILITY OR FITNESS FOR PARTICULAR PURPOSE. IN NO EVENT SHALL SELLER BE LIABLE FOR INCIDENTAL OR CONSEQUENTIAL DAMAGES OF ANY NATURE.

Only genuine Meritor replacement parts are covered by this aftermarket parts warranty.



Information contained in this publication is in effect at the time the publication was approved for printing and is subject to change without notice or liability. Meritor Heavy Vehicle Systems, LLC, reserves the right to revise the information presented or discontinue the production of parts described at any time.

Meritor Heavy Vehicle Systems, LLC
7975 Dixie Highway
Florence, KY 41042 USA
888-725-9355
www.arvinmeritor.com
XpresswayPlus.arvinmeritor.com

Revised 10/2008
PB-9396
© 2008 ArvinMeritor, Inc.