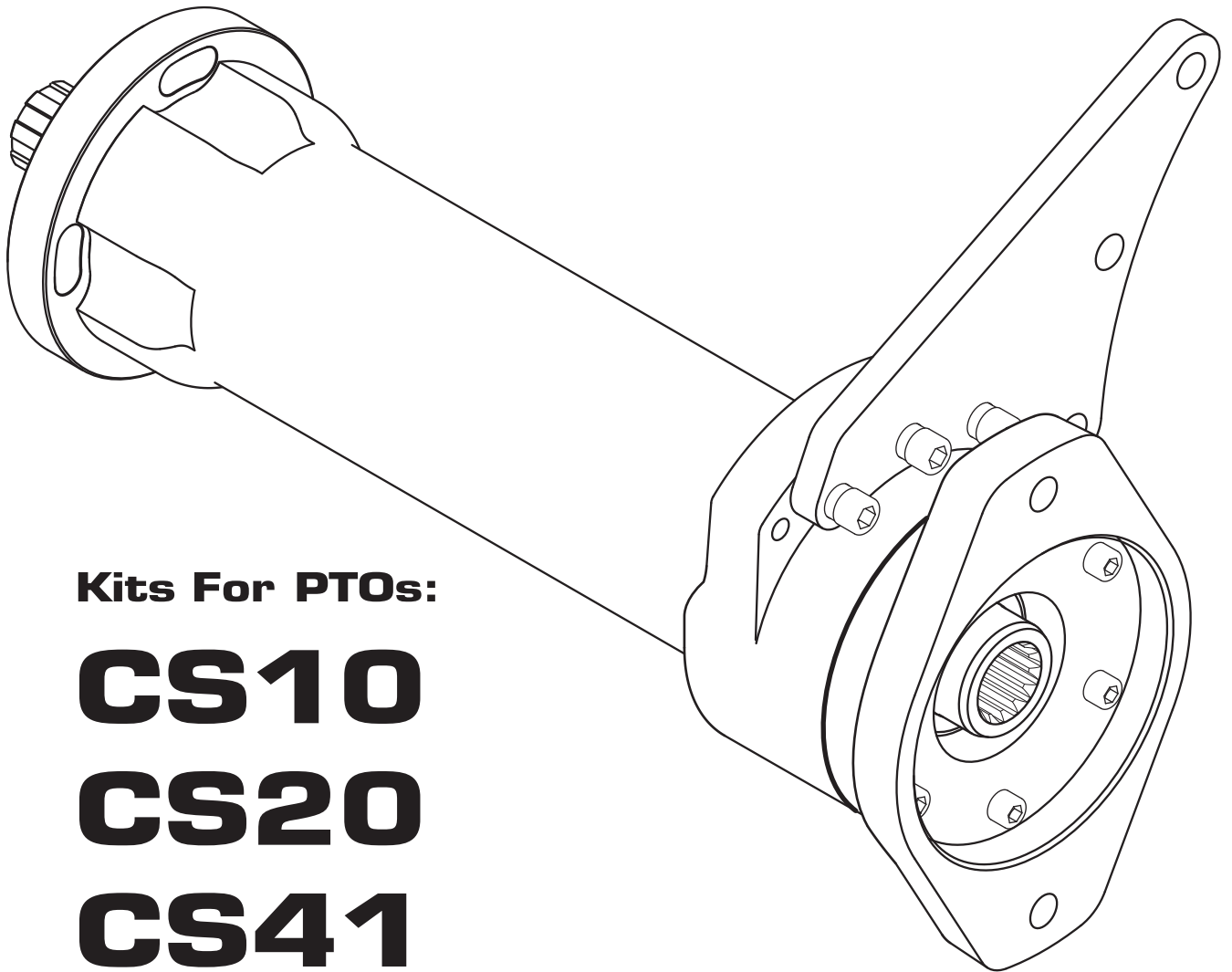




# **EXTENDED SHAFT**

## **SERVICE PARTS LIST**



**Kits For PTOs:**

**CS10**

**CS20**

**CS41**

**CD10**

# EXTENDED SHAFT PARTS LIST FOR USE WITH CS20

ITEM	QTY.	PART NUMBER	DESCRIPTION
1	1	06T39798	Output Shaft SAE B (Kit #49TA4692A, 49TA4694A, 49TA4833A, 49TA4841
-	-	06T39897	Output Shaft SAE B -B (Kit #49TA4698A, 49TA4699A, 49TA4834A)
-	-	06T40553	Output Shaft DIN 5462 (Kit #49TA4896A, 49TA4897A, 49TA4898A)
-	-	06T40086	Output Shaft SAE C (Kit #49TA4788A, 49TA4789A, 49TA4835A, 49TA4838A, 49TA4839A, 49TA4840A, 49TA5001A, 49TA5002A, 49TA5003A)
2	1	10T39826	Bearing (All)
3	4	19T31577	Capscrew (All)
4	1	14T40379	Flange (All)
5	1	49T40380	Housing (All)
6	1	49T38226	Bracket 3000 Series -L.S. (Kit #49TA4692A, 49TA4698A, 49TA4896A, 49TA4788A, 49TA4838A, 49TA5001A)
-	-	49T38252	Bracket 3000 Series -R.S. (Kit #49TA4694A, 49TA4699A, 49TA4897A, 49TA4789A, 49TA4839A, 49TA5002A)
-	-	49T38227	Bracket 4000 Series -L.S. (Kit #49TA4833A, 49TA4834A, 49TA4898A, 49TA4835A, 49TA4840A, 49TA5003A)
-	-	49T39274	Bracket 3000 Series 83T - L.S. (Kit #49TA4841A)
7	3	49T38238	Bushing (All)
8	3	19T33504	Capscrew (All)
9	1	14T35767	Hyd. Flg. SAE B or SAE B-B (Kit #49TA4692A, 49TA4698A, 49TA4694A, 49TA4699A, 49TA4833A, 49TA4834A, 49TA4838A, 49TA4839A, 49TA4840A)
-	-	14T36007	Hyd. Flg. SAE C (Kit #49TA4788A, 49TA4789A, 49TA4835A)
-	-	14T36834	Hyd. Flg. DIN 5462 (Kit #49TA4896A, 49TA4897A, 49TA4898A)
-	-	14T40576	Hyd. Flg SAE C 2/4 Bolt (Kit#49TA5001A, 49TA5002A, 49TA5003A)
10	6	19T31577	Capscrew for 14T35767
-	-	19M84478	Capscrew for 14T36007 or 14T40576
-	-	19T96512	Capscrew for 14T36834
11	1	10T38255	Bearing (All)
12	1	25T35724	Cap Plug for 06T39798
-	-	25T35725	Cap Plug for 06T39897
-	-	25T35938	Cap Plug for 06T40553
-	-	25T35936	Cap Plug for 06T40086
14*	3	49T38256	Trans Spacer 3000 Series Only (.643") (Kit #49TA4692A, 49TA4698A, 49TA4896A, 49TA4788A, 49TA4838A, 49TA4694A, 49TA4699A, 49TA4897A, 49TA4789A, 49TA4839A, 49TA5001A, 49TA5002A)
-	N/A	N/A	No Spacer Required On 4000 Series Trans. (Kit #49TA4833A, 49TA4834A, 49TA4898A, 49TA4835A, 49TA4840A, 49TA5003A)
15*	3	19T38257	Transmission Cap Screw (3000)
-	-	19T37098	Transmission Cap Screw (4000)
16*	4	19T39801	PTO Flange Mounting Socket Cap Screw
*		<i>Included in Kits</i>	<i>48TK4691 3000 Series Trans. 48TK4836 4000 Series Trans.</i>

**CS20 PTO ARRANGEMENTS:**  
LEFT side PTO's are "3" arrangement only  
RIGHT side PTO's are "1" arrangement only

CS20 with "I" Output Option

## EXTENDED SHAFT KITS FOR CS20

OLD STYLE	CURRENT STYLE	TRANS.	OPENING	OUTPUT
49TA4138	<b>49TA4692A</b>	3000	LEFT	SAE B
49TA4139	<b>49TA4698A</b>	3000	LEFT	SAE B-B
49TA4140	<b>49TA4896A</b>	3000	LEFT	DIN 5462
49TA4141	<b>49TA4694A</b>	3000	RIGHT	SAE B
49TA4142	<b>49TA4699A</b>	3000	RIGHT	SAE B-B
49TA4207	<b>49TA4897A</b>	3000	RIGHT	DIN 5462
49TA4208	<b>49TA4833A</b>	4000	LEFT	SAE B
49TA4209	<b>49TA4834A</b>	4000	LEFT	SAE B-B
49TA4210	<b>49TA4898A</b>	4000	LEFT	DIN 5462
49TA4452	<b>49TA4788A</b>	3000	LEFT	SAE-C 2-Bolt
49TA4453	<b>49TA4789A</b>	3000	RIGHT	SAE-C 2-Bolt
49TA4454	<b>49TA4835A</b>	4000	LEFT	SAE-C 2-Bolt
49TA4455	<b>49TA4838A</b>	3000	LEFT	SAE-B w/C Shaft
49TA4456	<b>49TA4839A</b>	3000	RIGHT	SAE-B w/C Shaft
49TA4457	<b>49TA4840A</b>	4000	LEFT	SAE-B w/C Shaft
49TA4590	<b>49TA4841A</b>	3000/83T	LEFT	SAE-B
--	<b>49TA5001A</b>	3000	LEFT	SAE-C 2/4-Bolt
--	<b>49TA5002A</b>	3000	RIGHT	SAE-C 2/4-Bolt
--	<b>49TA5003A</b>	4000	LEFT	SAE-C 2/4-Bolt

# EXTENDED SHAFT PARTS LIST FOR USE WITH CD10

ITEM	QTY.	PART NUMBER	DESCRIPTION
1	1	06T38236	Output Shaft SAE B (Kit #49TA4125A, 49TA4135A, 49TA4132A)
-	-	06T38251	Output Shaft SAE B -B (Kit #49TA4126A, 49TA4134A, 49TA4129A)
-	-	06T38254	Output Shaft SAE C (Kit #49TA4127A, 49TA4133A, 49TA4130A, 49TA4450A, 49TA4451A, 49TA4432A, 49TA4941A, 49TA4999A, 49TA5000A)
-	-	06T38239	Output Shaft Din 5462 (Kit #49TA4128A, 49TA4137A, 49TA4131A)
2	1	10T37229	Bearing (All)
3	4	19T31577	Capscrew (All)
4	1	14T37925	Flange (All)
5	1	49T38228	Housing (All)
6	1	49T38226	Bracket 3000 Series -LS (Kit #49TA4125A, 49TA4126A, 49TA4127A, 49TA4128A, 49TA4450A)
-	-	49T38252	Bracket 3000-RS (Kit #49TA4133A, 49TA4134A, 49TA4135A, 49TA4137A, 49TA4451A, 49TA4999A)
-	-	49T38395	Bracket 4000 Series -L.S. (Kit #49TA4129A, 49TA4130A, 49TA4131A, 49TA4132A, 49TA4432A, 49TA4941A)
7	3	49T38238	Bushing (All)
8	3	19T33504	Capscrew (All)
9	1	14T35767	Hyd. Flg. SAE B or SAE B-B (Kit #49TA4125A, 49TA4135A, 49TA4132A, 49TA4126A, 49TA4134A, 49TA4129A, 49TA4451A, 49TA4432A)
-	-	14T36007	Hyd. Flg. SAE C (Kit #49TA4127A, 49TA4133A, 49TA4130A)
-	-	14T36834	Hyd. Flg. DIN 5462 (Kit #49TA4128A, 49TA4137A, 49TA4131A)
-	-	14T40576	Hyd. Flg. SAE C 2/4 Bolt (Kit# 49TA4941A, 49TA4999A, 49TA5000A)
10	6	19T31577	Capscrew SAE B or SAE B-B
-	-	19M84478	Capscrew SAE C
-	-	19T96512	Capscrew DIN 5462
11	1	10T38255	Bearing (All)
12	1	25T35724	Cap Plug 06T38236
-	-	25T35725	Cap Plug 06T38251
-	-	25T35936	Cap Plug 06T38254
-	-	25T35938	Cap Plug 06T38239
14*	3	49T38256	Trans Spacer 3000 Series Only (.643") (Kit #49TA4125A, 49TA4126A, 49TA4127A, 49TA4128A, 49TA4450A, 49TA4133A, 49TA4134A, 49TA4135A, 49TA4137A, 49TA4451A, 49TA4999A, 49TA45000A)
-	N/A	N/A	No Spacer Required On 4000 Trans. (Kit #49TA4129A, 49TA4130A, 49TA4131A, 49TA4132A, 49TA4432A, 49TA4941A)
15*	3	19T38257	Transmission Cap Screw (All)
16*	2	19T20524	PTO Flange Mounting Hex Cap Screw
17*	2	21T35276	PTO Flange Mounting Lock Washer
*		<i>Included in Kits</i>	<i>48TK4474A 3000 Series Trans. 48TK4475A HD Trans.</i>
-	-	-	-

**CD10 PTO ARRANGEMENTS:**  
LEFT side PTO's are "3" arrangement only  
RIGHT side PTO's are "1" arrangement only

CD10 with "Z" Output Option

## EXTENDED SHAFT KITS FOR CD10

OLD STYLE	CURRENT STYLE	TRANS.	OPENING	OUTPUT
49TA4125	<b>49TA4125A</b>	3000	LEFT	SAE B
49TA4126	<b>49TA4126A</b>	3000	LEFT	SAE B-B
49TA4127	<b>49TA4127A</b>	3000	LEFT	SAE C
49TA4128	<b>49TA4128A</b>	3000	LEFT	DIN 5462
49TA4450	<b>49TA4450A</b>	3000	LEFT	SAE B/C Shaft
--	<b>49TA4999A</b>	3000	LEFT	SAE C 2/4-Bolt
49TA4133	<b>49TA4133A</b>	3000	RIGHT	SAE C
49TA4134	<b>49TA4134A</b>	3000	RIGHT	SAE B-B
49TA4135	<b>49TA4135A</b>	3000	RIGHT	SAE B
49TA4137	<b>49TA4137A</b>	3000	RIGHT	DIN 5462
49TA4451	<b>49TA4451A</b>	3000	RIGHT	SAE B/C Shaft
--	<b>49TA5000A</b>	3000	RIGHT	SAE C 2/4-Bolt
49TA4129	<b>49TA4129A</b>	4000	LEFT	SAE B-B
49TA4130	<b>49TA4130A</b>	4000	LEFT	SAE C
49TA4131	<b>49TA4131A</b>	4000	LEFT	SAE B
49TA4132	<b>49TA4132A</b>	4000	LEFT	DIN 5462
49TA4432	<b>49TA4432A</b>	4000	LEFT	SAE B/C Shaft
--	<b>49TA4941A</b>	4000	LEFT	SAE C 2/4-Bolt

# EXTENDED SHAFT PARTS LIST FOR USE WITH CS10

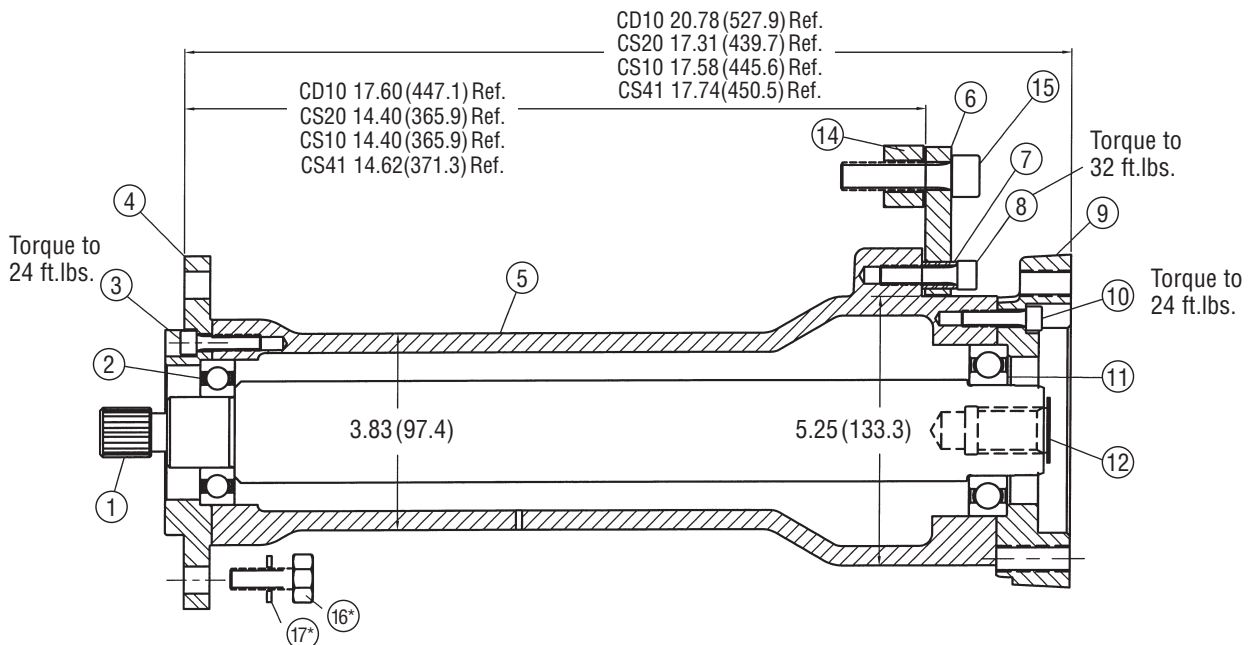
ITEM	QTY.	PART NUMBER	DESCRIPTION
1	1	06T38843	Output Shaft SAE B -B (Kit #49TA4495A)
-	-	06T38974	Output Shaft SAE C (Kit #49TA4506A, Kit #49TA4837A)
2	1	10T37229	Bearing (All)
3	4	19M84478	Capscrew (All)
4	1	14T37925	Flange (All)
5	1	49T38284	Housing (All)
6	1	49T38842	Bracket 3000 Series -L.S. (Kit #49TA4495A, 49TA4506A, 49TA4837A)
7	3	49T38238	Bushing (All)
8	3	19T33504	Capscrew (All)
9	1	14T35767	Hyd. Flg. SAE B-B (Kit #49TA4495A)
-	-	14T36007	Hyd. Flg. SAE C 2 Bolt only (Kit #49TA4506A)
-	-	14T40576	Hyd. Flg. SAE C 2 & 4 Bolt (Kit #49TA4837A)
10	6	19T31577	Capscrew for 14T35767
-	-	19M84478	Capscrew for 14T36007, 14T35769
-	-	19T96512	Capscrew DIN 5462
11	1	10T38255	Bearing (All)
12	1	25T35725	Cap Plug for 06T38843
-	-	25T35936	Cap Plug for 06T38974
14*	4	49T38844	Trans Spacer 3000 Series (.375") (Kit #49TA4495A, 49TA4506A, 49TA4837A)
15*	4	19T38257	Transmission Cap Screw (All)
16*	2	19T20524	PTO Flange Mounting Hex Cap Screw
17*	2	21T35276	PTO Flange Mounting Lock Washer
*		Included in Kit	48TK4496 3000 Series Trans.

**CS10 PTO ARRANGEMENTS:**  
 LEFT side PTO's are "3" arrangement only  
 RIGHT side PTO's kits have not been designed

CS10 with "Z" Output Option

## EXTENDED SHAFT KITS FOR CS10

OLD STYLE	CURRENT STYLE	TRANS.	OPENING	OUTPUT
49TA4495	<b>49TA4495A</b>	3000	LEFT	SAE B-B
49TA4506	<b>49TA4506A</b>	3000	LEFT	SAE C 2-Bolt
49TA4837	<b>49TA4837A</b>	3000	LEFT	SAE C 2/4-Bolt



# EXTENDED SHAFT PARTS LIST FOR USE WITH CS41

ITEM	QTY.	PART NUMBER	DESCRIPTION
1	1	06T40396	Output Shaft SAE C (Kit #49TA4877A, 49TA4881A, 49TA5004A)
-	-	06T38974	Output Shaft DIN 5462 (Kit #49TA4880A)
2	1	10T39826	Bearing (All)
3	4	19T31577	Capscrew (All)
4	1	14T40397	Flange (All)
5	1	49T40398	Housing (All)
6	1	49T40399	Bracket 4000 Series -L.S. (Kit #49TA4877A, 49TA4880A, 49TA4881A, 49TA5004A)
7	3	49T38238	Bushing (All)
8	3	19T33504	Capscrew (All)
9	1	14T36007	Hyd. Flg. SAE C 2 Bolt Only (Kit #49TA4877A)
-	-	14T36834	Hyd. Flg. DIN 5462
-	-	14T35767	Hyd. Flg. SAE B 2 & 4 Bolt (Kit #49TA4881A)
-	-	14T40576	Hyd. Flg. SAE C 2&4 Bolt (Kit #49TA5004A)
10	6	19T31577	Capscrew for 14T35767
-	-	19M84478	Capscrew for 14T36007, 14T40576
-	-	19T96512	Capscrew DIN 5462
11	1	10T38255	Bearing (All)
12	1	25T35725	Cap Plug for 06T38843
-	-	25T35936	Cap Plug for 06T38974
14	NA		
15*	3	19T37098	Transmission Cap Screw (All)
16*	4	19T40400	PTO Flange Mounting Hex Cap Screw
*		<i>Included in Kit</i>	<i>48TK4876 4000 Series Trans.</i>

**CS41 PTO ARRANGEMENTS:**  
LEFT side PTO's are "3" arrangement only  
RIGHT side PTO's kits have not been designed

CS41 with "Z" Output Option

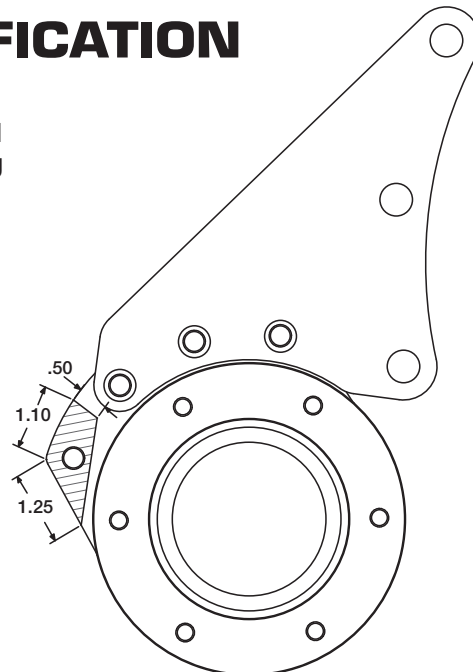
## EXTENDED SHAFT KITS FOR CS41

OLD STYLE	CURRENT STYLE	TRANS.	OPENING	OUTPUT
	49TA4877A	4000	LEFT	SAE C 2-Bolt
	49TA4880A	4000	LEFT	DIN 5462
	49TA4881A	4000	LEFT	SAE B/C Shaft
	49TA5004A	4000	LEFT	SAE C 2&4 Bolt

## CLEARANCE MODIFICATION

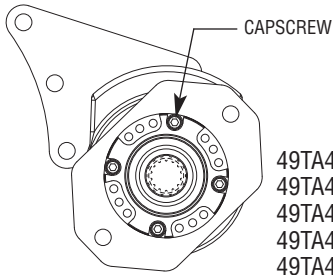
Installation requiring additional clearance to chassis obstacle. You may cut the extended shaft flange as shown here without lessening the structure of the extended shaft.

**Do Not Flame Cut.**

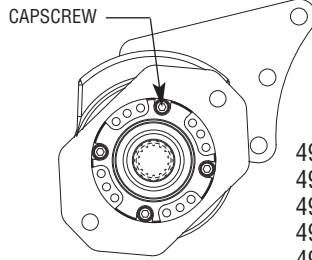


# FLANGE MOUNTING ORIENTATION EXTENDED SHAFT MOUNTING

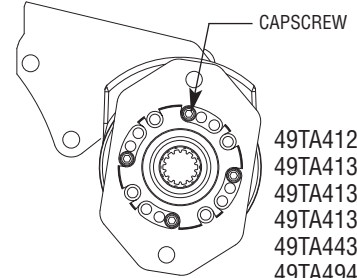
## CD10 KITS



49TA4125A  
49TA4126A  
49TA4127A  
49TA4128A  
49TA4450A



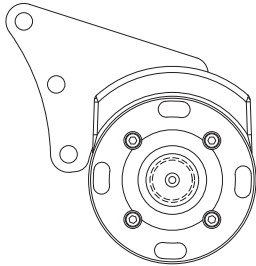
49TA4133A  
49TA4134A  
49TA4135A  
49TA4137A  
49TA4451A



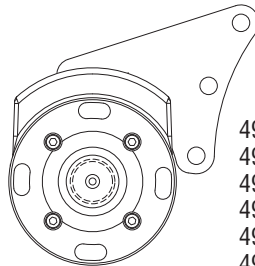
49TA4129A  
49TA4130A  
49TA4131A  
49TA4132A  
49TA4432A  
49TA4941A

PTO	BRACKET	SAE B	SAE B-B	DIN	SAE C <sup>2 Bolt</sup>	SAE B/C 'Z' Opt.	SAE C <sup>2 &amp; 4 Bolt</sup>
CD10	49T38226	49TA4125A	49TA4126A	49TA4128A	49TA4127A	49TA4450A	49TA5000A
CD10	49T38252	49TA4135A	49TA4134A	49TA4137A	49TA4133A	49TA4451A	49TA4999A
CD10	49T38395	49TA4132A	49TA4129A	49TA4131A	49TA4130A	49TA4432A	49TA4941A

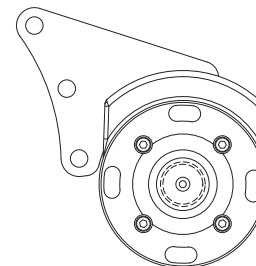
## CS20 KITS



49TA4692A  
49TA4698A  
49TA4896A  
49TA4788A  
49TA4838A  
49TA5001A



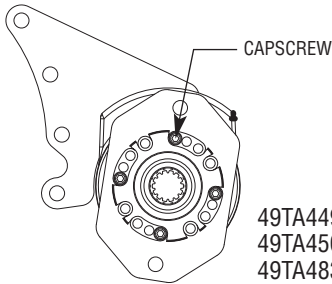
49TA4694A  
49TA4699A  
49TA4897A  
49TA4789A  
49TA4839A  
49TA5002A



49TA4833A  
49TA4834A  
49TA4898A  
49TA4835A  
49TA4840A  
49TA5003A

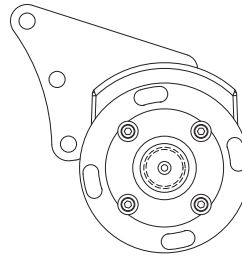
PTO	BRACKET	SAE B	SAE B-B	DIN	SAE C <sup>2 Bolt</sup>	SAE B/C 'Z' Opt.	SAE C <sup>2 &amp; 4 Bolt</sup>
CS20	49T38226	49TA4692A	49TA4698A	49TA4896A	49TA4788A	49TA4838A	49TA5001A
CS20	49T38252	49TA4694A	49TA4699A	49TA4897A	49TA4789A	49TA4839A	49TA5002A
CS20	49T38227	49TA4833A	49TA4834A	49TA4898A	49TA4835A	49TA4840A	49TA5003A
CS20	49T38274	49TA4841A					

## CS10 KITS



49TA4495A  
49TA4506A  
49TA4837A

## CS41 KITS

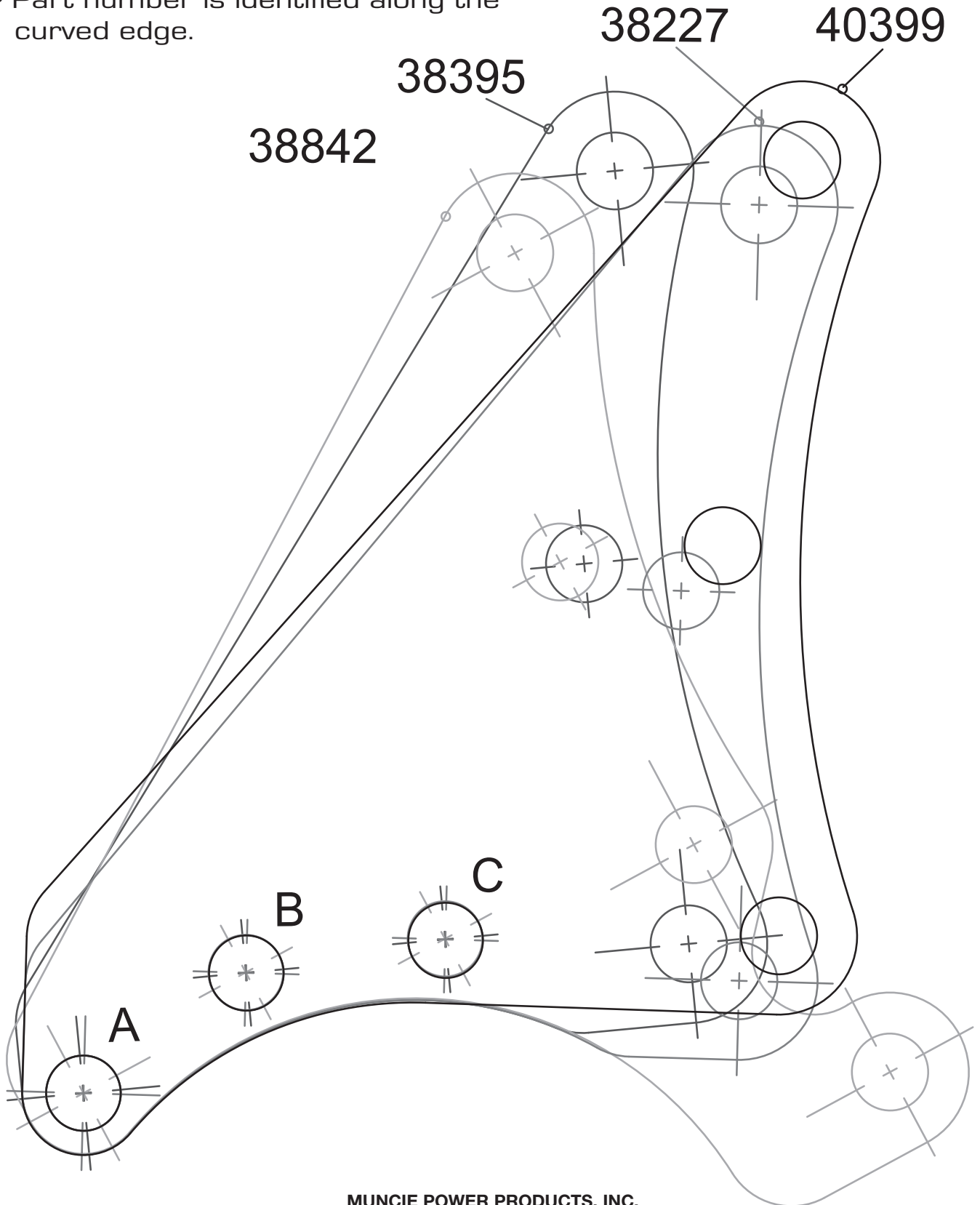


49TA4877A  
49TA4880A  
49TA4881A  
49TA5004A

PTO	BRACKET	SAE B	SAE B-B	DIN	SAE C <sup>2 Bolt</sup>	SAE B/C 'Z' Opt.	SAE C <sup>2 &amp; 4 Bolt</sup>
CS10	49T38842		49TA4495A		49TA4506A		49TA4837A
CS41	49T40398			49TA4880A	49TA4877A	49TA4881A	49TA5004A

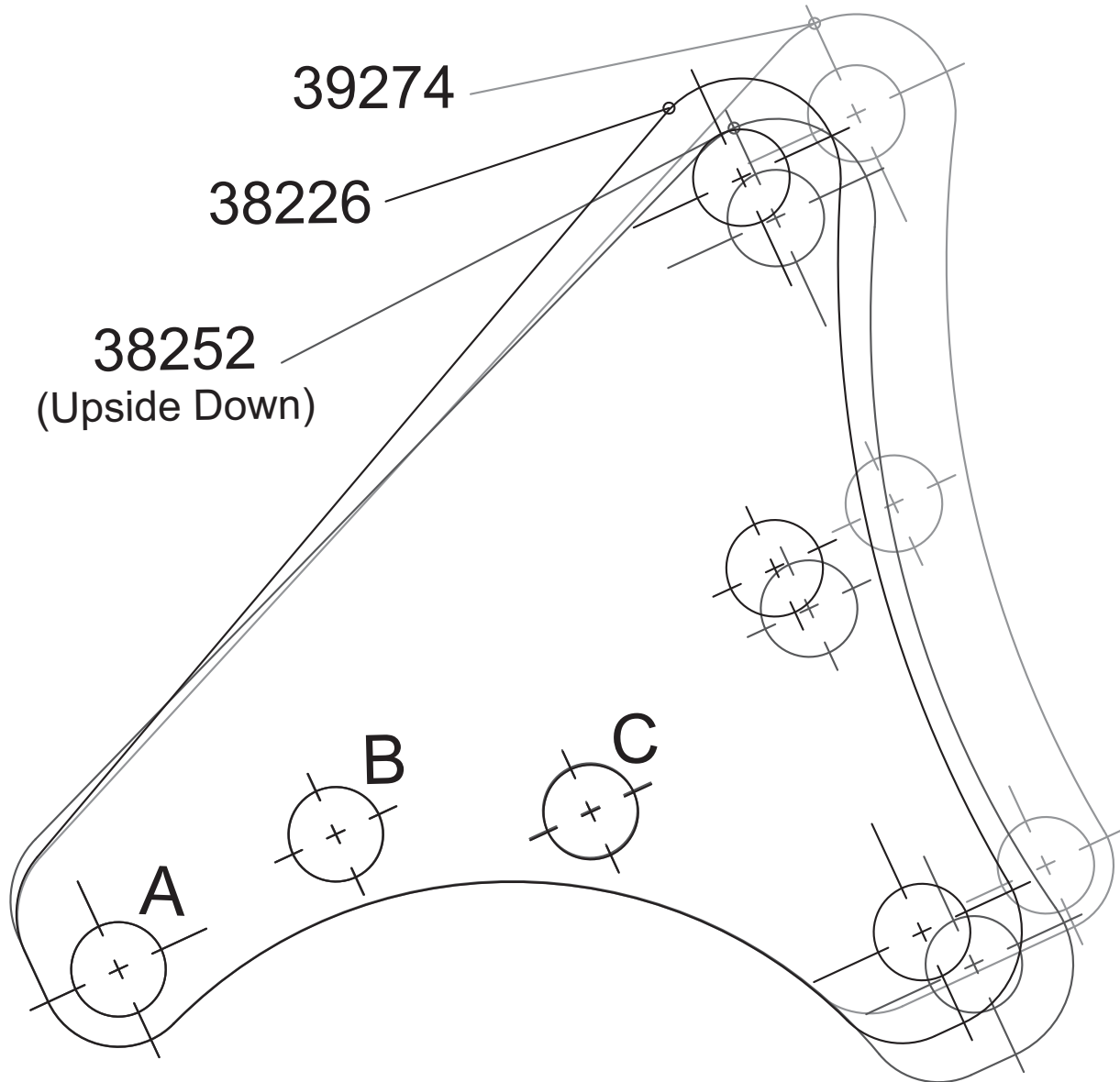
# BRACKET I.D. TEMPLATE

- Lay bracket on template and align the mounting holes A, B, C shown below.
- Part number is identified along the curved edge.



# BRACKET I.D. TEMPLATE

- Lay bracket on template and align the mounting holes A, B, C shown below.
- Part number is identified along the curved edge.



**Muncie®  
Power  
Products**

SP02-01 (Rev. 6-08) Printed in the U.S.A.  
© Muncie Power Products, Inc. 2008

**Muncie Power Products, Inc.** Member of the Interpump Hydraulics Group  
General Offices and Distribution Center • P.O. Box 548 • Muncie, IN 47308-0548  
(765) 284-7721 • FAX (765) 284-6991 • E-mail [info@munciepower.com](mailto:info@munciepower.com)  
Web site <http://www.munciepower.com>

Drive Products, Exclusive Agents for Canada, ISO Certified by an Accredited Registrar

