

# **SISU AXLES**

## **SPARE PARTS BOOK**

**Industrial Axle**

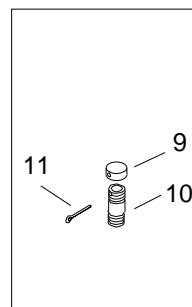
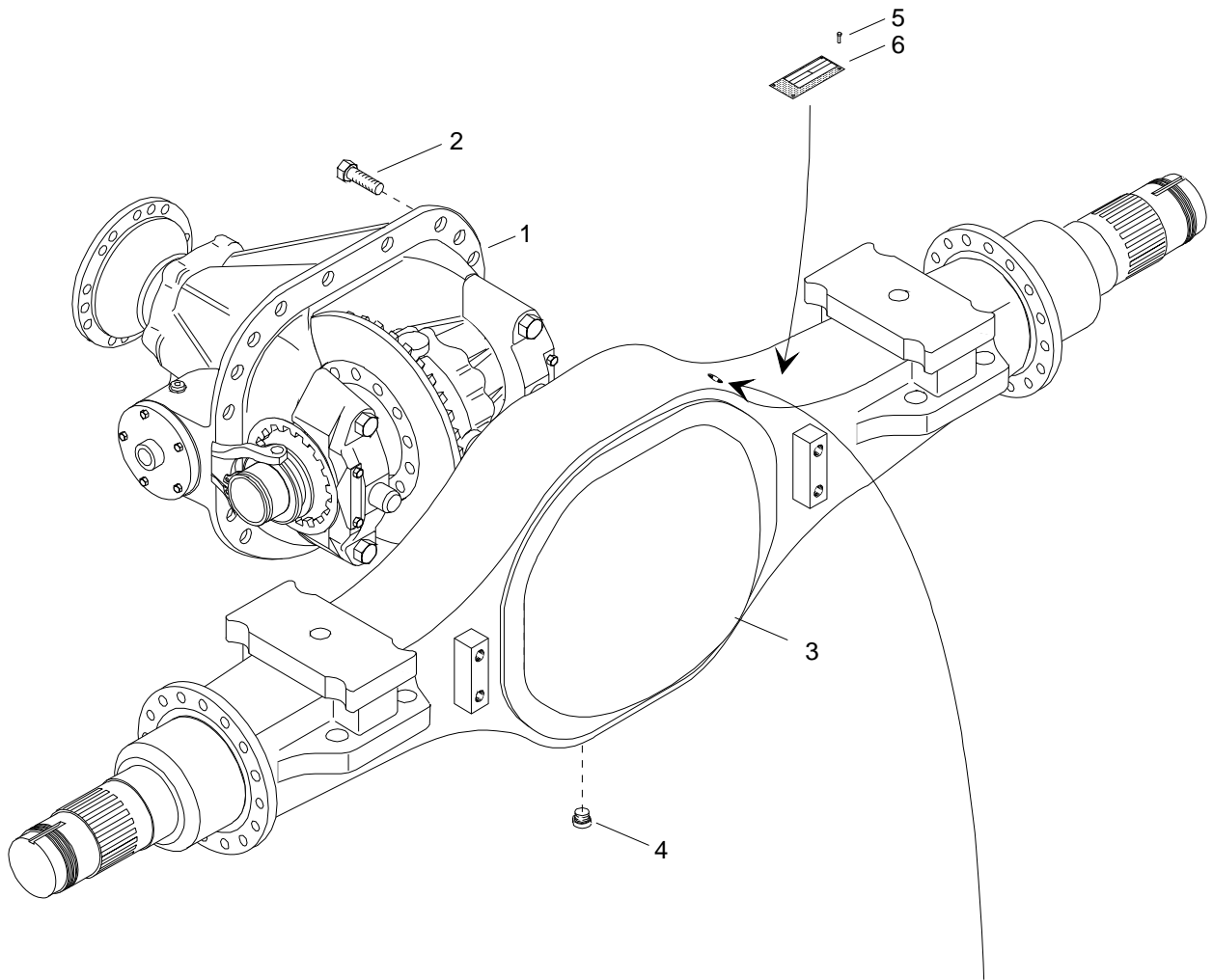
**SRDP**

**SRDP30S1059/013**

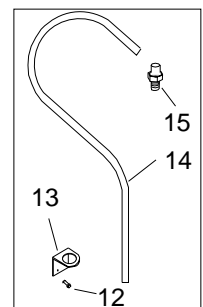
**Up to S/N 152240 (7/ 2005)**

**Book No. 151 (01/2007)**

Sisu Axles, Inc.  
Autotehtaan tie 1  
PO Box 189  
FIN-13101 Hämeenlinna  
Finland  
Phone +358 204 55 2999  
Fax +358 204 55 2900



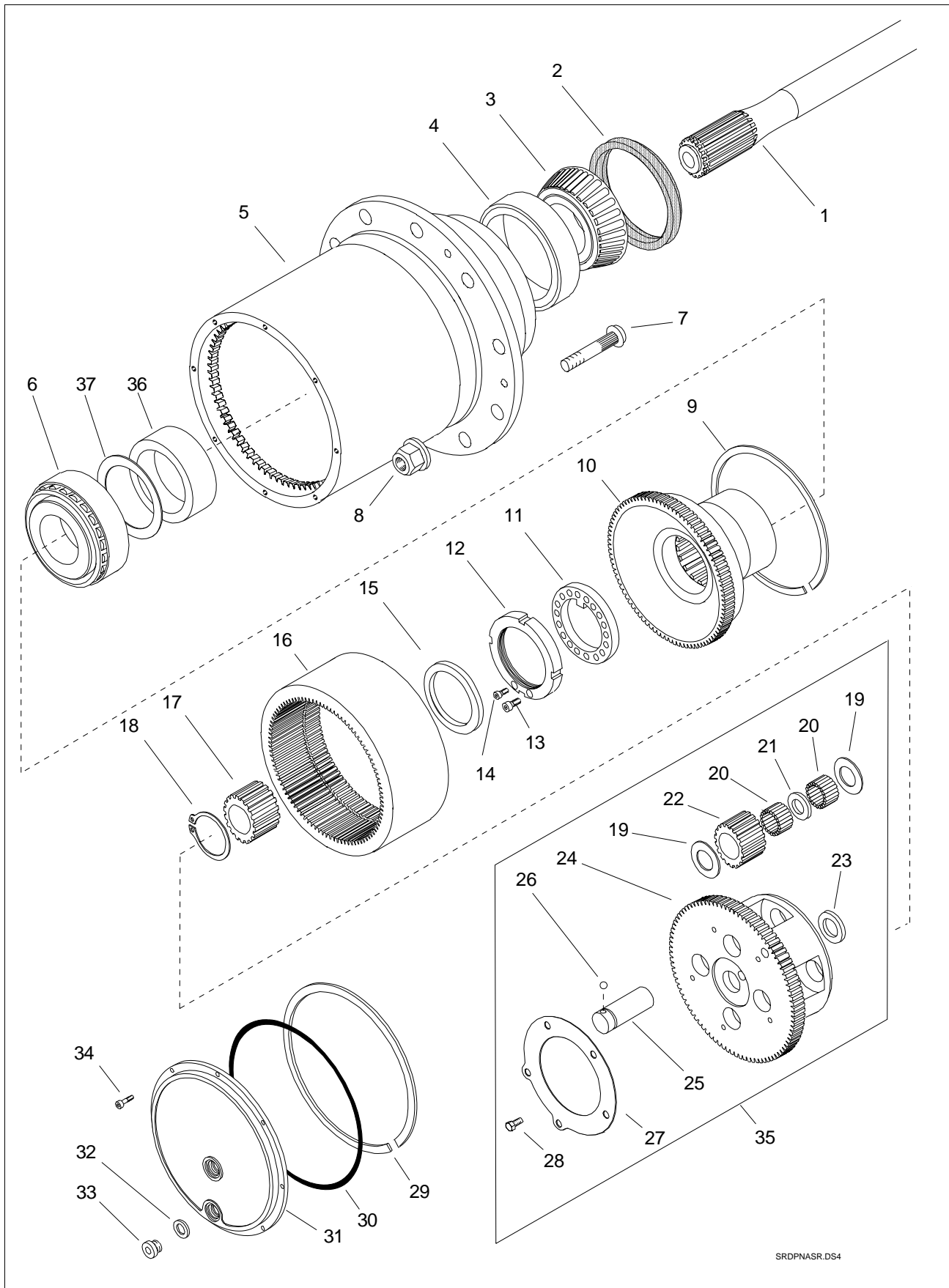
Huohotin 1  
Breather 1



Huohotin 2  
Breather 2

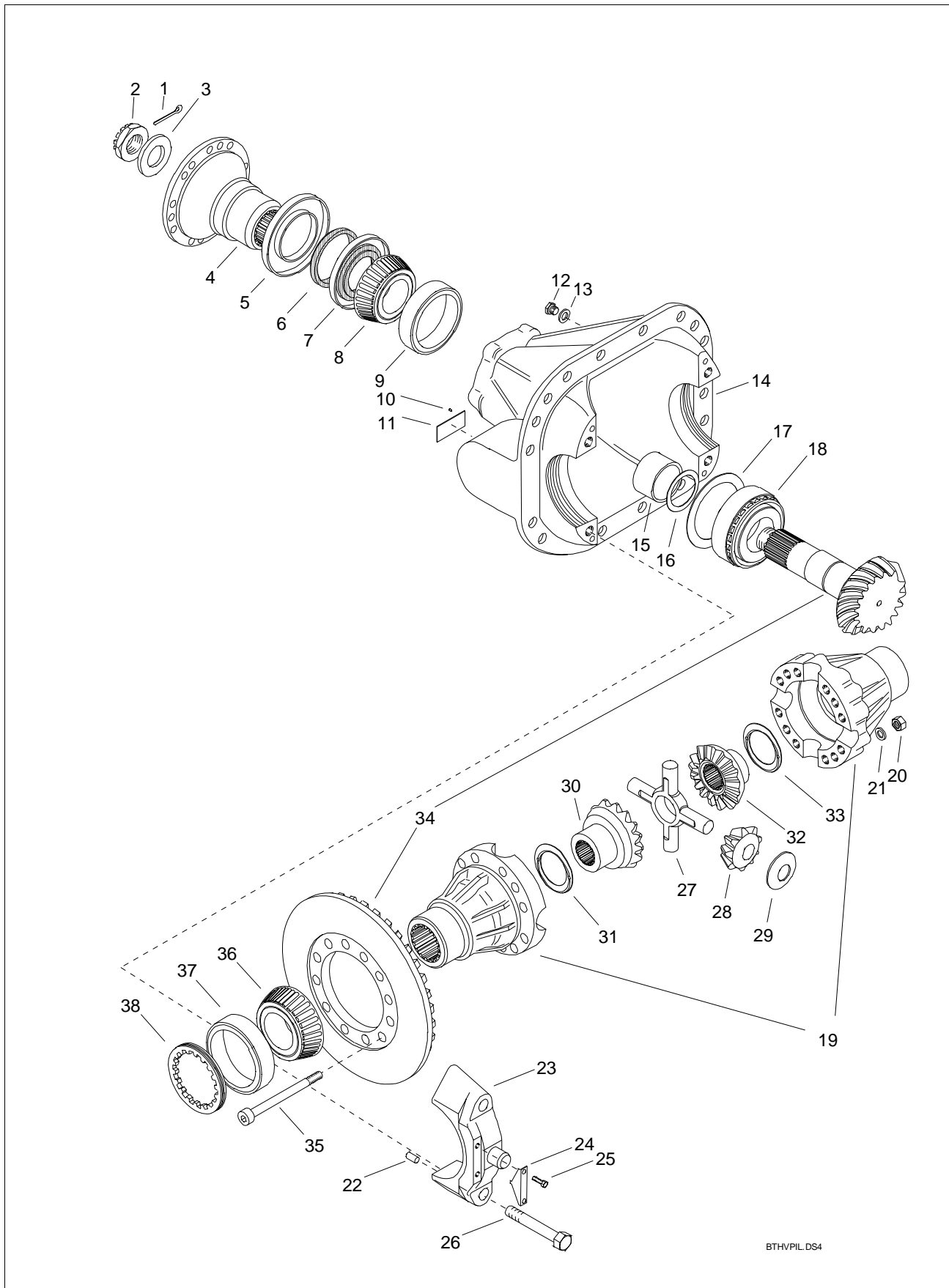
BTHBANJO.DS4

Item	Qty.	Order no.	Description	Note
1	1	<b>543-203-1211</b>	Diff. Carrier Assembly	FR 10.59, Without diff. Lock
2	16	<b>90303-16407</b>	Hex Screw	M16x40, 10.9
3	1	<b>543-116-5000</b>	Axle Housing	
4	1	<b>90831-24139</b>	Oil plug	R3/4, up to No. 00702 (2/2000)
4	1	<b>90873-22109</b>	Oil plug	M22x1.5, since No. 00703 (2/2000)
4	1	<b>91201-22150</b>	Seal ring	For M22 plug
5	4	<b>90111-29054</b>	Rivet	D2.9x5
6	1	<b>591600-20823</b>	Name plate	
9	1	<b>179-842-0000</b>	Breather Cover	
10	1	<b>179-841-1000</b>	Breather pipe	
11	1	<b>90621-32253</b>	Split pin	3.2x25
12	2	<b>90111-29054</b>	Rivet	D2.9x5
13	1	<b>143-227-0800</b>	Mounting Plate	
14		<b>95242-06010</b>	Plastic Pipe	Ø9.5/15.5 L=350
15	1	<b>91978-30901</b>	Binding screw	R3/8"/D10

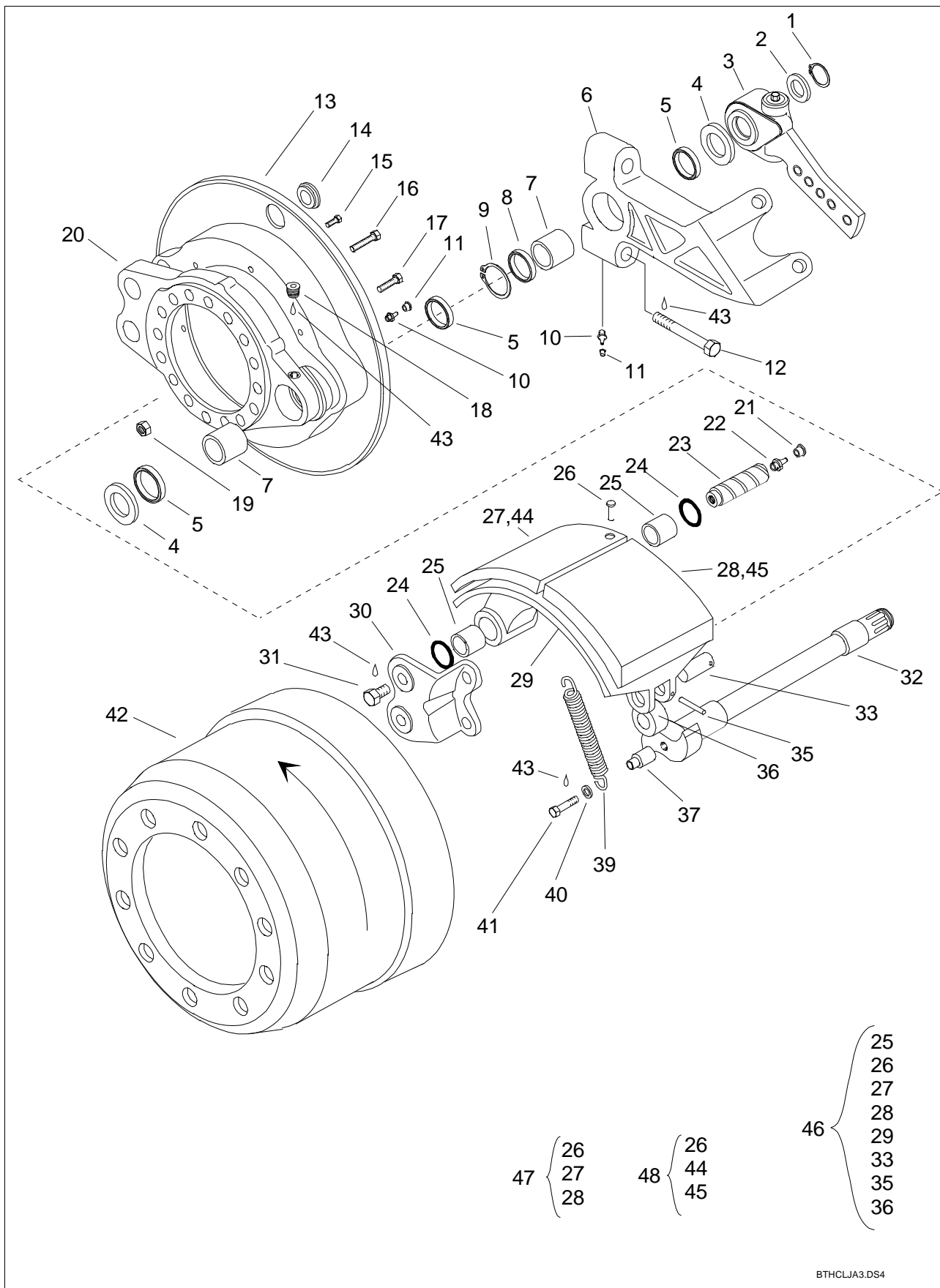


SRDPNASR.DS4

Item	Qty.	Order no.	Description	Note
1	2	<b>543-511-9410</b>	Axle Shaft	
2	2	<b>591122-12702</b>	Shaft seal	D127/160, Since S/N 22221 (9/2002)
2	2	<b>91122-12701</b>	Shaft seal	D127x159 (8/1995 --> 9/2002 )
3	2	<b>090-111-0000</b>	Bearing inner race	
4	2	<b>090-121-5700</b>	Bearing outer race	
5	2	<b>143-441-0410</b>	Wheel hub	(8/1995 --> 9/2002 )
5	2	<b>543-441-0700</b>	Wheel hub	Since S/N 22221 (9/2002)
6	2	<b>91744-01201</b>	T. Roller bearing	
7	20	<b>140-911-2510</b>	Wheel bolt	L=93 mm, 12.9
8	20	<b>540-916-1610</b>	Wheel nut	M22x1.5
9	2	<b>91720-22501</b>	Retainer ring	D225x3
10	2	<b>535-271-0401</b>	Ring gear hub	
11	2	<b>143-418-0510</b>	Lock Washer	S=6 mm, punched
12	2	<b>599-290-8004</b>	Lock Nut	M90x2, s=16 mm
13	2	<b>590319-08186</b>	Allen Screw	M8x18
14	2	<b>590319-08126</b>	Allen Screw	M8x12
15	2	<b>090-721-8500</b>	Protective cup	D60/85x10
16	2	<b>135-261-1900</b>	Ring gear	
17	2	<b>135-211-1100</b>	Sun gear	Z17, spline D52/Z24
18	2	<b>91711-05200</b>	Retainer ring	D52x2
19	16	<b>090-354-1050</b>	Spacer plate	
20	480	<b>090-005-0530</b>	Needle roller	D4.762x28.5
21	8	<b>090-354-1040</b>	Spacer ring	
22	8	<b>135-241-1100</b>	Planet gear	
23	2	<b>141-582-0000</b>	Thrust Washer	
24	2	<b>141-441-0900</b>	Planet carrier	
25	8	<b>135-251-1100</b>	Planet gear shaft	
26	8	<b>91375-10000</b>	Lock Ball	D10
27	2	<b>135-259-0210</b>	Lock Washer	
28	10	<b>90303-08203</b>	Hex Screw	M8x20
29	2	<b>91720-26001</b>	Retainer ring	D265x4.2
30	2	<b>91109-50030</b>	O-ring	D249.5x3
31	2	<b>141-422-0410</b>	Planetary gear cover	
32	4	<b>91201-22152</b>	Seal ring	D22/27x1.5 Al
33	4	<b>90873-22103</b>	Plug	M22x1.5 - DIN908, Allen head
34	16	<b>90313-06168</b>	Allen Screw	M6x16
35	2	<b>141-404-0081</b>	Planetary gear	
36	2	<b>543-416-0400</b>	Spacer ring	L=44 mm
37	ar	<b>590731-09520</b>	Shim	s= 0.2 mm
37	ar	<b>590731-09530</b>	Shim	s= 0.3 mm
37	ar	<b>590731-09550</b>	Shim	s= 0.5 mm
37	ar	<b>590732-09510</b>	Shim	s= 1.0 mm



Item	Qty.	Order no.	Description	Note
1	1	90621-63633	Split pin	
2	1	90546-42653	Nut	
3	1	90705-43069	washer	
4	1	138-916-2110	Flange	HS1600
4	1	138-918-0400	Flange	HS1700-1800
4	1	138-947-0101	Flange	DIN180
4	1	538-967-0100	End Yoke	Input Splined Yoke 1710, spline N65, Z=24
5	1	090-711-9000	Shield	
6	1	090-400-9500	V-ring	
7	1	91122-08504	Shaft seal	
8	1	090-110-6740	Bearing inner race	
9	1	090-121-3700	Bearing outer race	
10	4	90111-29054	Rivet	
11	1	91600-20811	Name plate	
12	1	90871-22193	Plug screw	
13	1	91201-22150	Seal ring	
14	1	143-210-1411	Differential Carrier	
15	ar	099-557-1026	Spacer ring	(l=53.70)
15	ar	099-557-1027	Spacer ring	(l=53.72)
15	ar	099-557-1028	Spacer ring	(l=53.74)
15	ar	099-557-1030	Spacer ring	(l=53.78)
16	ar	099-517-1000	Shim	(s=0.30)
16	ar	099-517-1001	Shim	(s=0.40)
16	ar	099-517-1002	Shim	(s=0.50)
17	ar	90731-12010	Shim	(s=0.1)
17	ar	90731-12020	Shim	(s=0.2)
17	ar	90731-12050	Shim	(s=0.5)
17	ar	90732-12010	Shim	(s=1.0)
18	1	090-050-7001	T. Roller bearing	
19	1	543-310-4551	Diff. case assy	Without diff. lock, FR < 14.59
19	1	543-310-4561	Diff. case assy	Without diff. lock, FR => 14.59
20	12	90550-16247	Nut	
21	12	90710-17047	washer	
22	4	590604-08141	Pin	
24	2	143-227-0610	Lock Washer	
25	4	90303-08163	Screw	
26	4	90301-20377	Hex Screw	
27	1	143-331-1701	Spider	
28	4	143-341-1710	Pinion gear	
29	4	143-345-1010	Thrust washer	
30	1	543-351-4010	Side gear	
31	1	543-356-0400	Thrust washer	
32	1	543-351-4010	Side gear	
33	1	543-356-0400	Thrust washer	
34	1	143-240-2911	Ring and pinion gear set	12/30 Final Ratio 10.59
34	1	143-240-2921	Ring and pinion gear set	8/31 Final Ratio 16.41
34	1	143-240-2931	Ring and pinion gear set	7/34 Final Ratio 20.57
34	1	143-240-2941	Ring and pinion gear set	14/29 Final Ratio 8.77
34	1	143-240-2961	Ring and pinion gear set	9/31 Final Ratio 14.59
34	1	143-240-2971	Ring and pinion gear set	10/29 Final Ratio 12.28
35	12	90311-16298	Allen Screw	FR => 14.59
35	12	90311-16398	Allen Screw	FR <14,59
36	2	090-110-9000	Bearing inner race	
37	2	090-121-4700	Bearing outer race	
38	2	143-226-0012	Adjusting nut	



BTHCLJA3.DS4



Item	Qty.	Order no.	Description	Note
1	2	<b>91712-02800</b>	Retainer ring	D28x2
2	2	<b>90700-29001</b>	Spacer plate	D29/50x2
3	2	<b>146-520-0033</b>	Slack adjuster	178 mm, offset 0, manual
4	4	<b>91726-43065</b>	Support ring	D43/65x3
5	6	<b>91122-04201</b>	Shaft seal	D42/55x8
6	1	<b>146-224-2510</b>	Chamber bracket	RH, 13 deg.
6	1	<b>146-224-2600</b>	Chamber bracket	LH, 13 deg.
7	4	<b>590-314-2062</b>	Sleeve	D42/48x36
8	2	<b>91122-04202</b>	Shaft seal	D42/55x7
9	2	<b>91720-05500</b>	Retainer ring	D55x1.5
10	4	<b>91402-10003</b>	Grease nipple	M10x1, Straight
11	4	<b>91421-06060</b>	Shield hat	
12	4	<b>90311-16708</b>	Allen Screw	M16x70
13	2	<b>146-131-2210</b>	Dust Shield	210 mm
14	4	<b>095-553-2000</b>	Shield plug	D33/44
15	14	<b>90303-08123</b>	Hex Screw	M8x12
16	4	<b>90301-14558</b>	Hex Screw	M14x55
17	24	<b>90169-01401</b>	Hex Screw	M14x45
18	2	<b>90873-10053</b>	Plug screw	M10x1, Allen head
19	28	<b>90550-14227</b>	Nut	M14 self locking
20	2	<b>146-111-2610</b>	Brake Bracket	
21	4	<b>91421-06060</b>	Shield hat	
22	4	<b>91402-10003</b>	Grease nipple	M10x1, Straight
23	4	<b>146-341-1200</b>	Anchor bolt	D32x108, With grease nipple
24	8	<b>91106-36212</b>	O-ring	D36,2x3 Viton
25	8	<b>590-313-2091</b>	Sleeve	D32/36x25
26	96	<b>91501-00819</b>	Rivet	D6.2/12.3x18.3
29	4	<b>146-351-4100</b>	Brake shoe	210 mm, o-ring sealing
30	2	<b>146-331-0400</b>	Anchor support	
31	4	<b>90303-10203</b>	Hex Screw	
32	1	<b>146-212-1200</b>	S-cam shaft	LH, L=325,5
32	1	<b>146-212-1300</b>	S-cam shaft	RH, L=325,5
33	4	<b>146-373-0201</b>	Pin	D25x50 (Substitute for 146-373-0200)
35	4	<b>90602-05450</b>	Spring cotter	D5x40
36	4	<b>146-371-0700</b>	Roller	D25/54x28
37	6	<b>599-601-8900</b>	Bush	D12/20/25x36
39	4	<b>92052-30002</b>	Return spring	D30x165.5
40	6	<b>90705-13023</b>	washer	D13/24x2.5
41	6	<b>90303-12603</b>	Hex Screw	M12x60
42	2	<b>146-311-7910</b>	Brake drum	D410x210 mm
43		<b>95752-10010</b>	Thread locking compound	
46	4	<b>546-306-0083</b>	Brake shoe assy	210mm, Beral1561
47		<b>546-360-3113</b>	Brake lining set	210mm, Beral1561, for one wheel