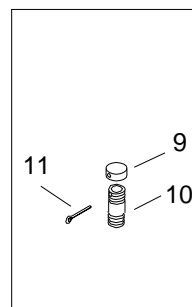
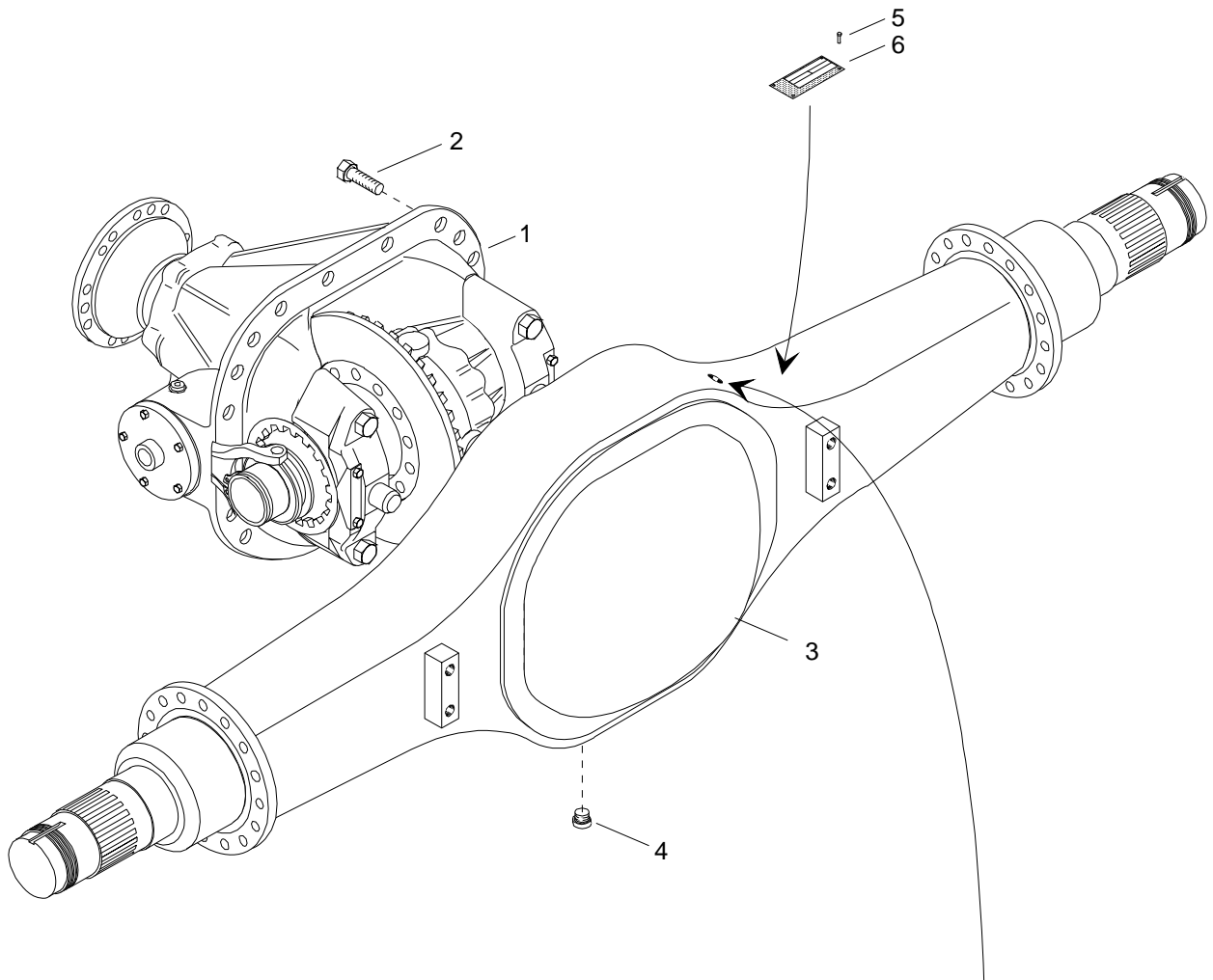


SISU AXLES

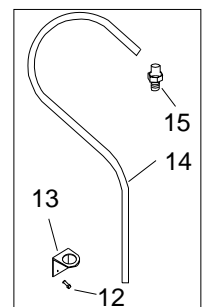
SPARE PARTS BOOK

**Industrial Axle
SRDP
SRDP-30-S
Since S/N 152241 (7/2005)
Book No. 349 (6/2007)**

Sisu Axles, Inc.
Autotehtaan tie 1
PO Box 189
FIN-13101 Hämeenlinna
Finland
Phone +358 204 55 2999
Fax +358 204 55 2900



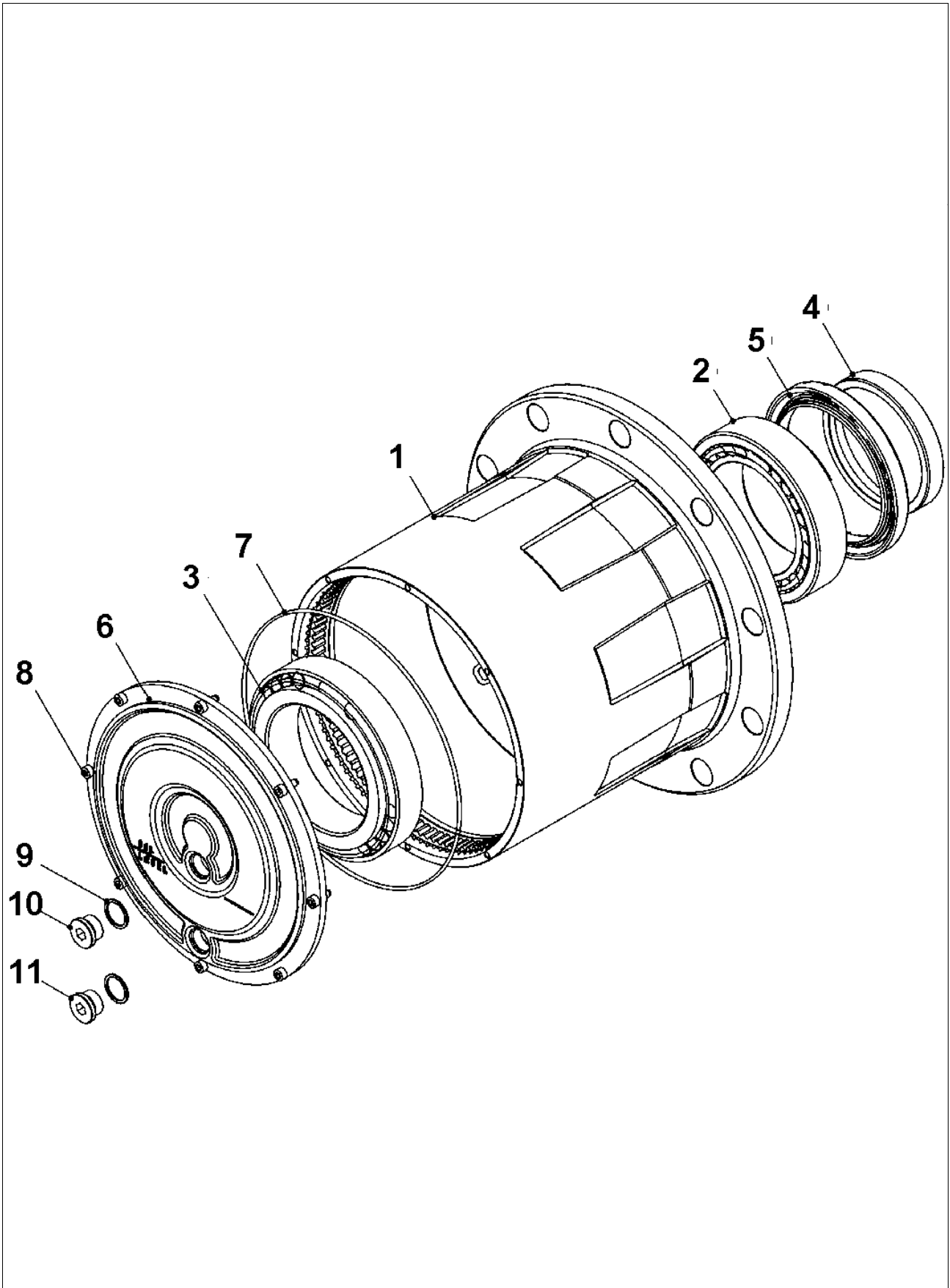
Breather 1



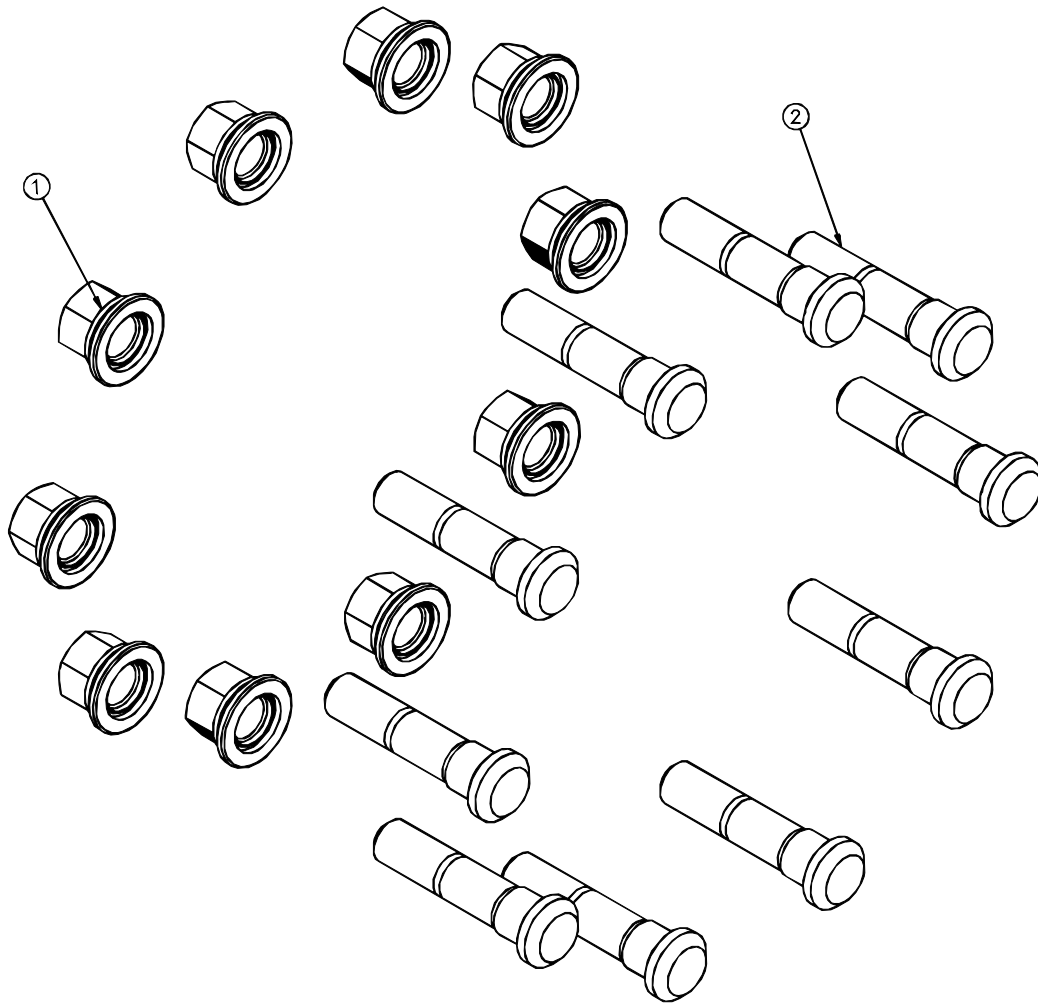
Breather 2

BTHBAGN2.DS4

Item	Qty.	Order no.	Description	Note
1	1	543-203-9011	Diff. Carrier Assembly	FR=10.59, HS1700/1800, w/o diff lock
1	1	543-203-9079	Diff. Carrier Assembly	FR=12.28, Yoke1710, w/o diff lock
2	16	90303-16407	Hex Screw	M16x40, 10.9
3	1	543-117-0400	Axle Housing	1800 mm track, s-cam brackets in bowl side
3	1	543-117-1200	Axle Housing	2040 mm track, s-cam brackets in diff side
4	1	90873-22109	Oil plug	M22x1.5 - DIN908, Allen head, magnetic
4	1	91201-22150	Seal ring	D22/27x1.5 Cu
5	4	90111-29054	Rivet	D2.9x5
6	1	591600-20823	Name plate	
9	1	179-842-0000	Breather Cover	
10	1	179-841-1000	Breather pipe	
11	1	90621-32253	Split pin	3.2x25

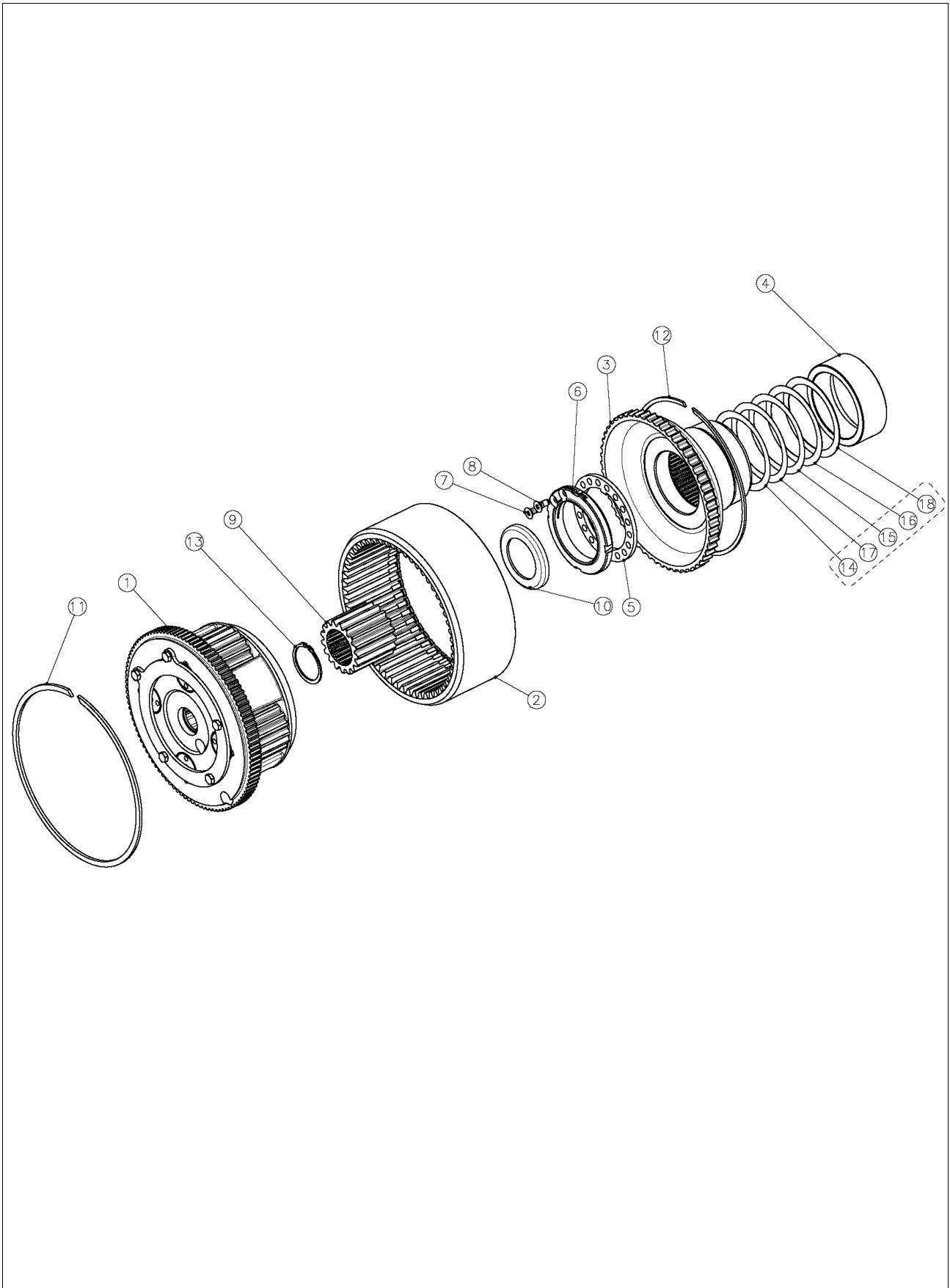


Item	Qty.	Order no.	Description	Note
1	2	543-441-1000	Wheel hub	
2	2	91744-01051	T. Roller bearing	
3	2	91744-01201	T. Roller bearing	
4	2	543-415-0600	Spacer ring	D111/127x19
5	2	591122-12702	Shaft seal	D127/160
6	2	541-422-1200	Planetary gear cover	
7	2	91109-50030	O-ring	D249.5x3
8	16	90313-06168	Allen Screw	M6x16
9	4	91201-22150	Seal ring	D22/27x1.5 Cu
10	2	90873-22103	Plug	M22x1.5 - DIN908, Allen head
11	2	90873-22109	Oil plug	M22x1.5 - DIN908, Allen head, magnetic

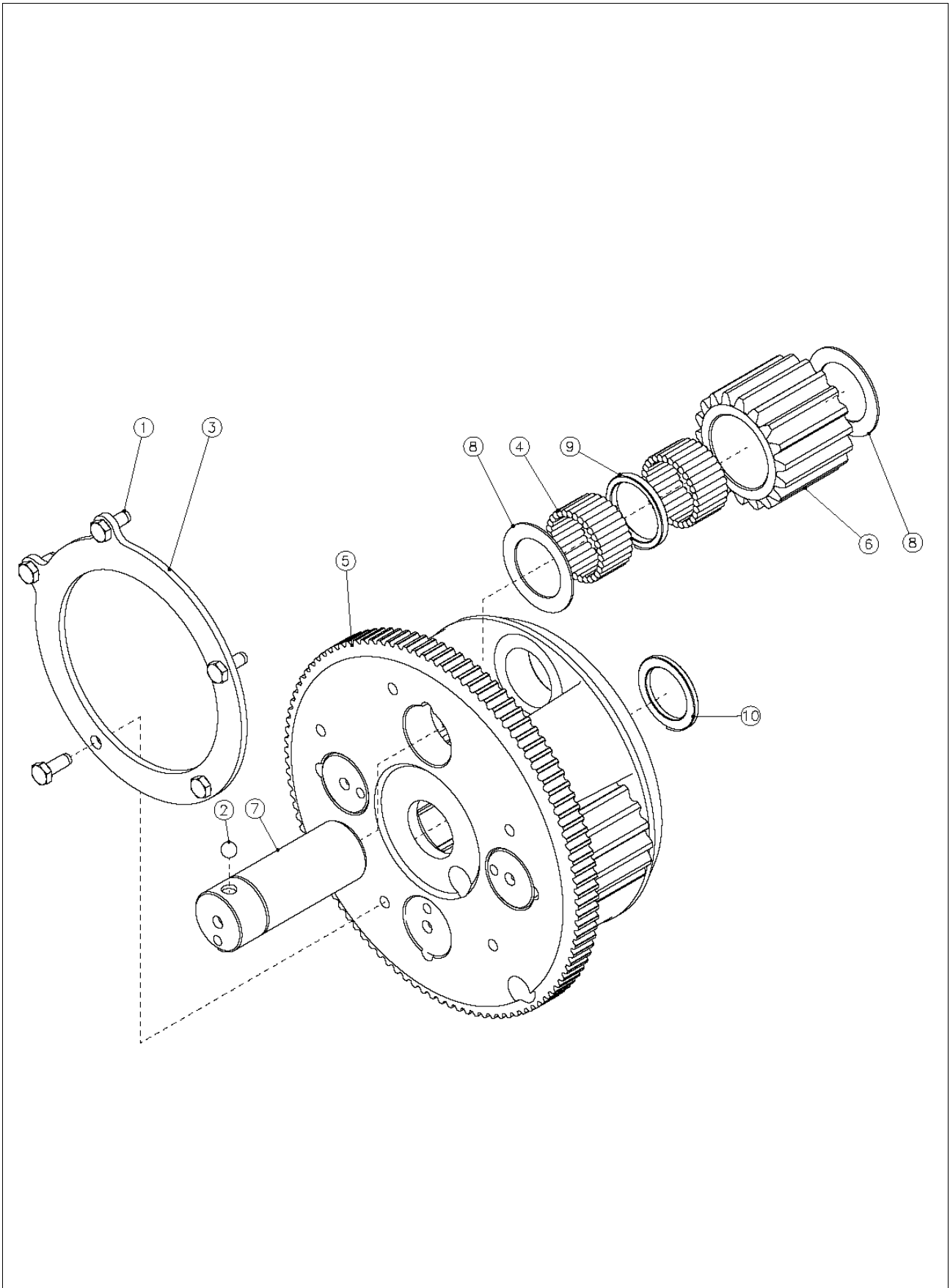


M402-036.DS4

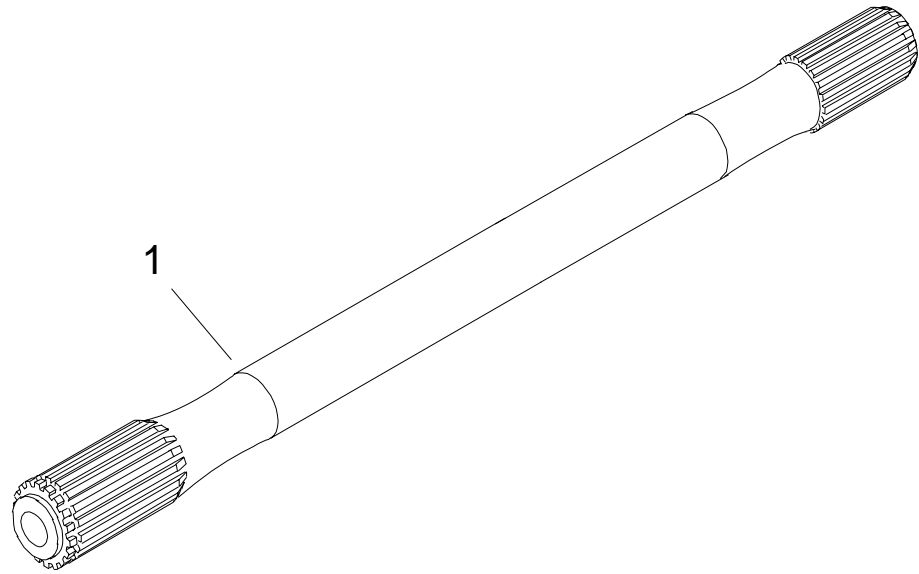
Item	Qty.	Order no.	Description	Note
1	20	540-916-1610	Wheel nut	M22x1.5
2	20	140-911-2510	Wheel bolt	L=93 mm, 12.9
2	20	540-911-3500	Wheel bolt	L=103 mm, 12.9



Item	Qty.	Order no.	Description	Note
1	2	141-404-0081	Planetary gear	i=4.235
2	2	135-261-1900	Ring gear	
3	2	535-271-0401	Ring gear hub	
4	2	543-416-0500	Spacer ring	D95/117x42
5	2	143-418-0510	Lock Washer	S=6 mm, punched
6	2	599-290-8004	Lock Nut	M90x2, s=16 mm
7	2	590319-08126	Allen Screw	M8x12M8x12, Cone head
8	2	590319-08186	Allen Screw	M8x18, Cone head
9	2	135-211-1100	Sun gear	Z17, spline D52/Z24
10	2	090-721-8500	Protective cup	D60/85x10
11	2	91720-26001	Retainer ring	D265x4.2
12	2	91720-22501	Retainer ring	D225x3
13	2	91711-05200	Retainer ring	D52x2
14	ar	590731-09520	Shim	s= 0.2 mm
15	ar	590731-09530	Shim	s= 0.3 mm
16	ar	590731-09550	Shim	s= 0.5 mm
17	ar	590732-09510	Shim	s= 1.0 mm

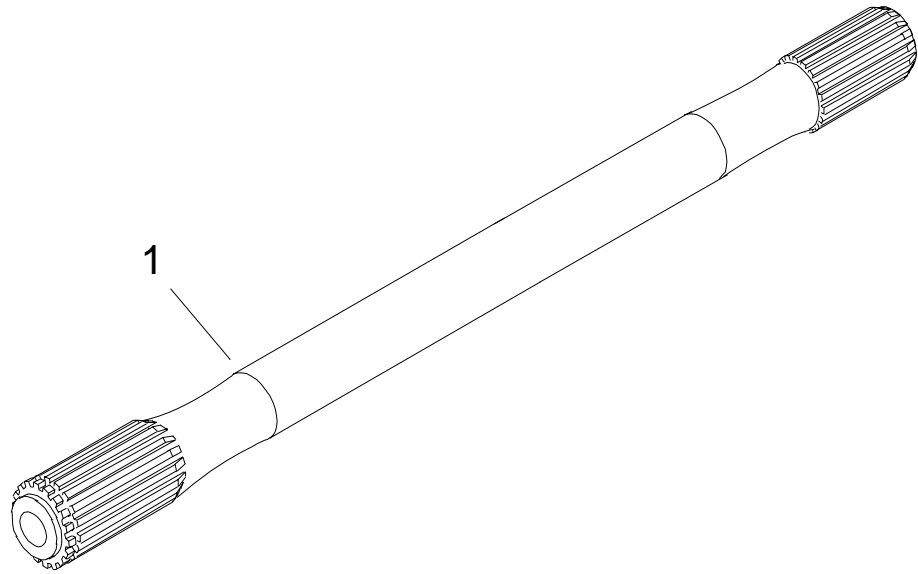


Item	Qty.	Order no.	Description	Note
1	5	90303-08203	Hex Screw	M8x20
2	4	91375-10000	Lock Ball	D10
3	1	135-259-0210	Lock Washer	
4	240	090-005-0530	Needle roller	D4.762x28.5
5	1	141-441-0900	Planet carrier	
6	4	135-241-1100	Planet gear	
7	4	135-251-1100	Planet gear shaft	
8	8	090-354-1050	Spacer plate	
9	4	090-354-1040	Spacer ring	
10	1	141-582-0000	Thrust Washer	



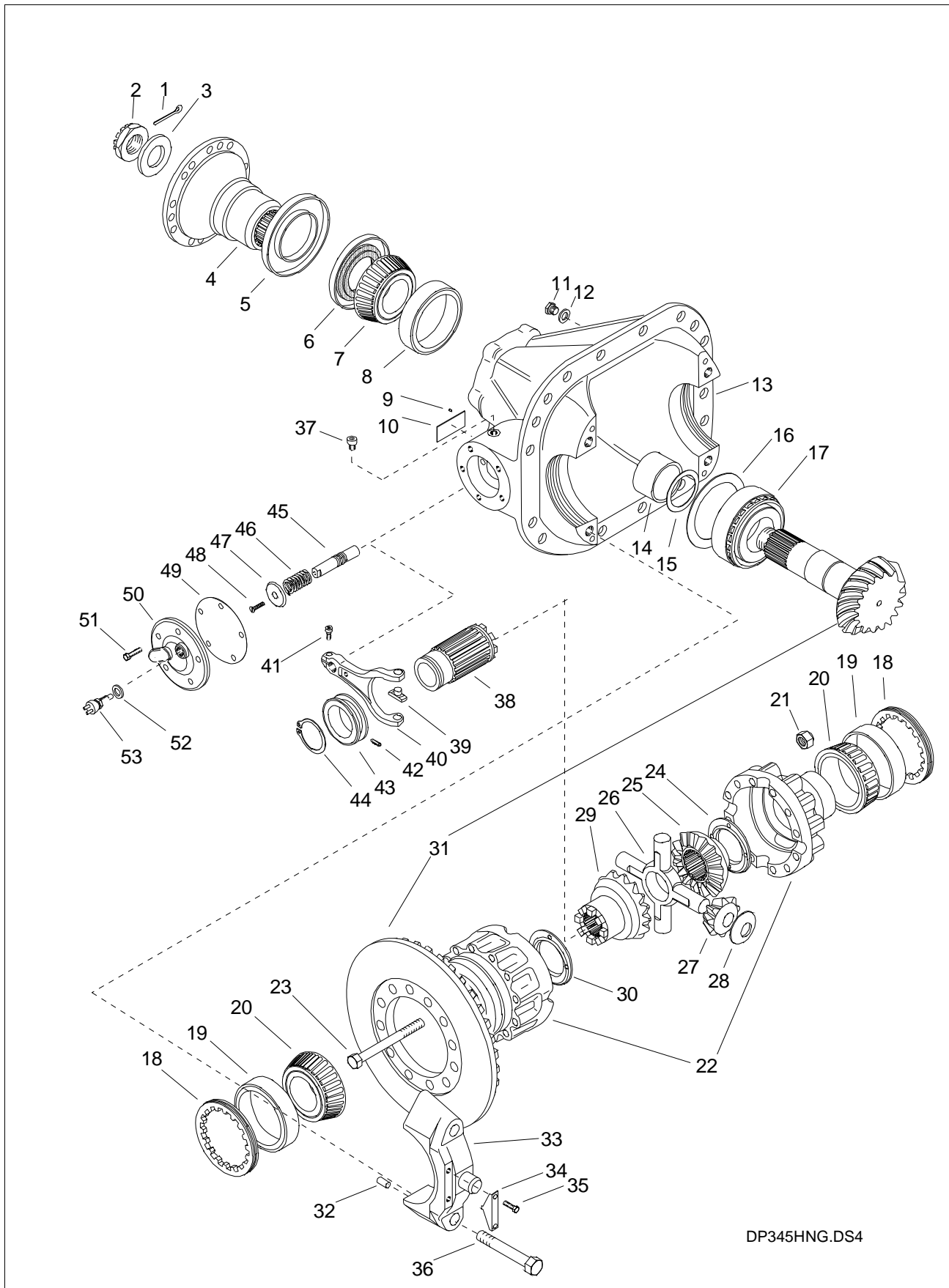
M306-097.DS4

Item	Qty.	Order no.	Description	Note
1	1	543-512-0400	Axle Shaft	RH, L=1090, D55Z26/D52Z24
1	1	543-512-0410	Axle Shaft	LH, L=1140, D55Z26/D52Z24

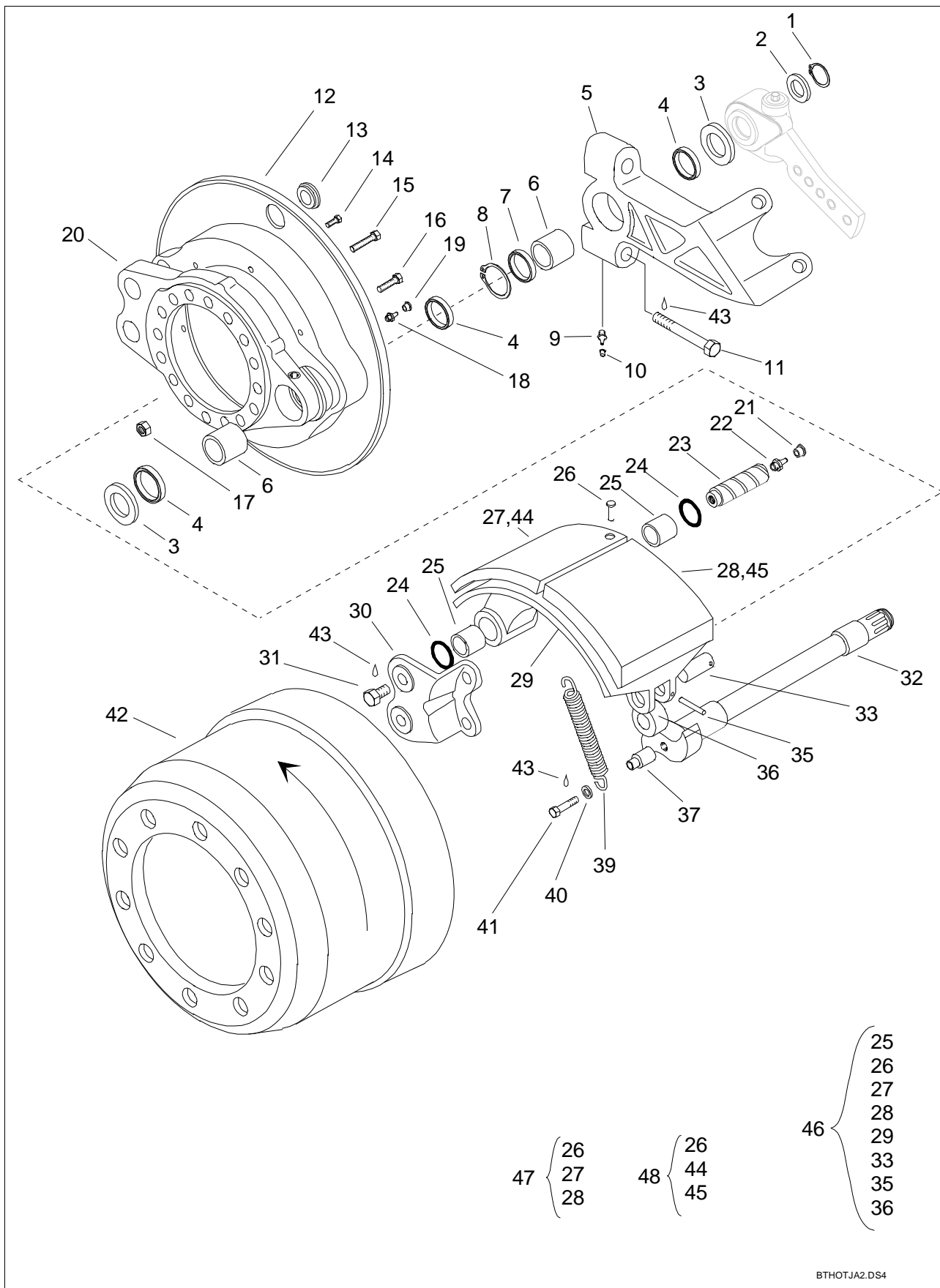


M306-097.DS4

Item	Qty.	Order no.	Description	Note
1	0	543-512-0500	Axle Shaft	LH, L=1180, D55Z26/D52Z24
1	1	543-512-0510	Axle Shaft	RH, L=1260, D55Z26/D52Z24

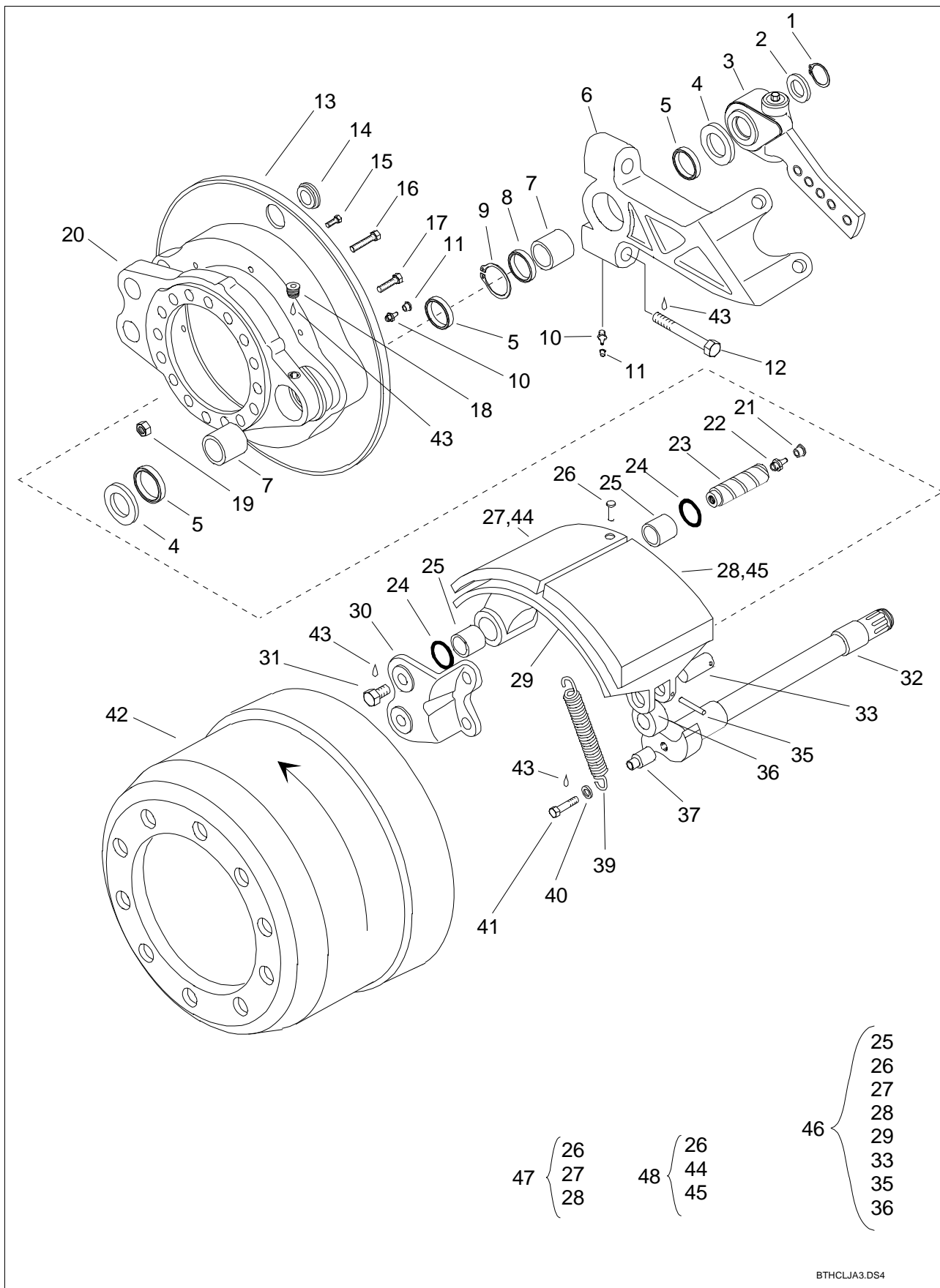


Item	Qty.	Order no.	Description	Note
1	1	90621-63633	Split pin	6.3x63
2	1	90546-42653	Nut	M42x1.5
3	1	90705-43069	washer	D43/80x6
4	1	138-918-0400	Flange	HS1700-1800
4	1	138-918-0401	Flange	ISO 8667 - T180
4	1	138-947-0101	Flange	DIN180/HS1600
4	1	538-916-3401	Flange	ISO 8667 - T150
4	1	538-967-0100	End Yoke	Yoke 1710
5	1	090-711-9000	Shield	
6	1	591122-08508	Shaft seal	D85/140x13/20 Cassette seal
7	1	090-110-6740	Bearing inner race	
8	1	090-121-3700	Bearing outer race	
9	4	90111-29054	Rivet	D2.9x5
10	1	591600-20823	Name plate	
11	1	90871-22193	Plug screw	M22x1.5, hex head
12	1	91201-22150	Seal ring	D22/27x1.5 Cu
13	1	143-210-1411	Differential Carrier	Without differential lock (inc. pos. 32, 33 & 36)
13	1	143-210-1421	Differential Carrier	With differential lock (inc. pos. 32, 33 & 36)
14	ar	099-557-1026	Spacer ring	(l=53.70)
14	ar	099-557-1027	Spacer ring	(l=53.72)
14	ar	099-557-1028	Spacer ring	(l=53.74)
14	ar	099-557-1029	Spacer ring	(l=53.76)
14	ar	099-557-1030	Spacer ring	(l=53.78)
15	ar	099-517-1000	Shim	(s=0.30)
15	ar	099-517-1001	Shim	(s=0.40)
15	ar	099-517-1002	Shim	(s=0.50)
16	ar	90731-12010	Shim	(s=0.1)
16	ar	90731-12020	Shim	(s=0.2)
16	ar	90731-12050	Shim	(s=0.5)
16	ar	90732-12010	Shim	(s=1.0)
17	1	090-050-7001	T. Roller bearing	
18	2	143-226-0012	Adjusting nut	D149
19	2	090-121-4700	Bearing outer race	
20	2	090-110-9000	Bearing inner race	
21	12	90556-16247	Nut	M16x1.5
22	1	143-310-3811	Diff. case assy	FR=>14.59, w/diff lock
22	1	543-310-4811	Diff. case assy	FR<14.59, w/diff lock
22	1	543-310-4821	Diff. case assy	FR=>14.59, w/o diff lock
22	1	543-310-4831	Diff. case assy	FR<14.59, w/o diff lock
23	12	599-116-3250	Hex Screw	M16x1.5, L= 207, 12.9, FR < 14.59
23	12	90321-16538	Hex Screw	M16x1.5, L=160, 12.9, FR => 14.59
24	1	090-357-5000	Thrust washer	D75/111x3
25	1	543-351-4210	Side gear	D55/Z26
26	1	143-331-0603	Spider	
27	4	143-341-0700	Pinion gear	
28	4	143-345-0400	Thrust washer	D29/65x1.5
29	1	543-351-4310	Side gear	D55/Z26, W/diff lock
29	1	543-351-4610	Side gear	D55/Z26, W/o diff lock
30	1	090-359-7000	Thrust washer	D97/127x3
31	1	543-240-5911	Ring and pinion gear set	12/30, FR 10.59, LH
31	1	543-240-5921	Ring and pinion gear set	8/31, FR 16.41, LH
31	1	543-240-5931	Ring and pinion gear set	7/34, FR 20.57, LH
31	1	543-240-5971	Ring and pinion gear set	10/29, FR 12.28, LH
32	4	590604-08141	Pin	Ø8x14
33		143-214-2180	Bearing Case Half	Not Servised Separately
34	2	143-227-0610	Lock Washer	
35	4	90303-08103	Hex Screw	M8x10
36	4	90301-20377	Hex Screw	M20x130



BTHOTJA2.DS4

Item	Qty.	Order no.	Description	Note
1	2	91712-02800	Retainer ring	D28x2
2	2	90700-29001	Spacer plate	D29/50x2
3	4	91726-43065	Support ring	D43/65x3
4	6	91122-04201	Shaft seal	D42/55x8
5	1	146-224-2510	Chamber bracket	LH, 13 deg.
5	1	146-224-2600	Chamber bracket	RH, 13 deg.
6	4	590-314-2062	Sleeve	D42/48x36
7	2	91122-04202	Shaft seal	D42/55x7
8	2	91720-05500	Retainer ring	D55x1.5
9	2	91402-10003	Grease nipple	M10x1, Straight
10	2	91421-06060	Shield hat	
11	4	90311-16708	Allen Screw	M16x70
12	2	146-131-2110	Dust Shield	If installed, for 180 mm brakes
13	4	095-553-2000	Shield plug	D33/44 (if dust shield installed)
14	14	90303-08123	Hex Screw	M8x12, for dust shield (if installed)
15	4	90301-14558	Hex Screw	M14x55
16	24	90169-01401	Hex Screw	M14x45
17	28	90550-14227	Nut	M14 self locking
18	2	91402-10453	Grease nipple	M10x1, 45°
19	2	91421-06060	Shield hat	
20	2	146-111-2610	Brake Bracket	
21	4	91421-06060	Shield hat	
22	4	91402-10003	Grease nipple	M10x1, Straight
23	4	146-341-1200	Anchor bolt	With grease nipple
24	8	91106-36212	O-ring	D36,2x3 Viton
25	8	590-313-2091	Sleeve	D32/36x25
26	96	91501-00819	Rivet	D6.2/12.3x18.3
29	4	146-351-4000	Brake shoe	180 mm, with o-rings
30	2	146-331-0400	Anchor support	
31	4	90303-10203	Hex Screw	M10x20
32	1	146-212-0400	S-cam shaft	RH, SAE-splines, L=463
32	1	146-212-0500	S-cam shaft	LH, SAE-splines, L=463
33	4	146-373-0201	Pin	D25x50
35	4	90602-05450	Spring cotter	D5x40
36	4	146-371-0700	Roller	D25/54x28
37	6	599-601-8900	Bush	D12/20/25x36
39	4	92052-30002	Return spring	D30x165.5
40	6	90705-13023	washer	D13/24x2.5
41	6	90303-12603	Hex Screw	M12x60
42	2	546-311-8111	Brake drum	D410x180 mm
43		95752-10010	Thread locking compound	
46	4	546-306-0052	Brake shoe assy	180 mm, DB5010
47		546-360-3012	Brake lining set	180mm, DB5010, for one wheel



BTHCLJA3.DS4

Item	Qty.	Order no.	Description	Note
1	2	91712-02800	Retainer ring	D28x2
2	2	90700-29001	Spacer plate	D29/50x2
3	2	146-520-0033	Slack adjuster	178 mm, offset 0, manual
4	4	91726-43065	Support ring	D43/65x3
5	6	91122-04201	Shaft seal	D42/55x8
6	1	146-224-2510	Chamber bracket	RH, 13 deg.
6	1	146-224-2600	Chamber bracket	LH, 13 deg.
7	4	590-314-2062	Sleeve	D42/48x36
8	2	91122-04202	Shaft seal	D42/55x7
9	2	91720-05500	Retainer ring	D55x1.5
10	2	91402-10003	Grease nipple	M10x1, Straight
11	2	91421-06060	Shield hat	
12	4	90311-16708	Allen Screw	M16x70
13	2	146-131-2210	Dust Shield	210 mm
14	4	095-553-2000	Shield plug	D33/44
15	14	90303-08123	Hex Screw	M8x12
16	4	90301-14558	Hex Screw	M14x55
17	24	90169-01401	Hex Screw	M14x45
18	2	90873-10053	Plug screw	M10x1, Allen head
19	28	90550-14227	Nut	M14 self locking
20	2	146-111-2610	Brake Bracket	
21	4	91421-06060	Shield hat	
22	4	91402-10003	Grease nipple	M10x1, Straight
23	4	146-341-1200	Anchor bolt	With grease nipple
24	8	91106-36212	O-ring	D36,2x3 Viton
25	8	590-313-2091	Sleeve	D32/36x25
26	96	91501-00819	Rivet	D6.2/12.3x18.3
29	4	146-351-4100	Brake shoe	210 mm, o-ring sealing
30	2	146-331-0400	Anchor support	
31	4	90303-10203	Hex Screw	M10x20
32	1	146-212-1200	S-cam shaft	LH, L=325,5
32	1	146-212-1300	S-cam shaft	RH, L=325,5
33	4	146-373-0201	Pin	D25x50
35	4	90602-05450	Spring cotter	D5x40
36	4	146-371-0700	Roller	D25/54x28
37	6	599-601-8900	Bush	D12/20/25x36
39	4	92052-30002	Return spring	D30x165.5
40	6	90705-13023	washer	D13/24x2.5
41	6	90303-12603	Hex Screw	M12x60
42	2	146-311-7910	Brake drum	D410x210 mm
43		95752-10010	Thread locking compound	
46	4	546-306-0083	Brake shoe assy	210mm, Beral1561
47		546-360-3113	Brake lining set	210mm, Beral1561, for one wheel